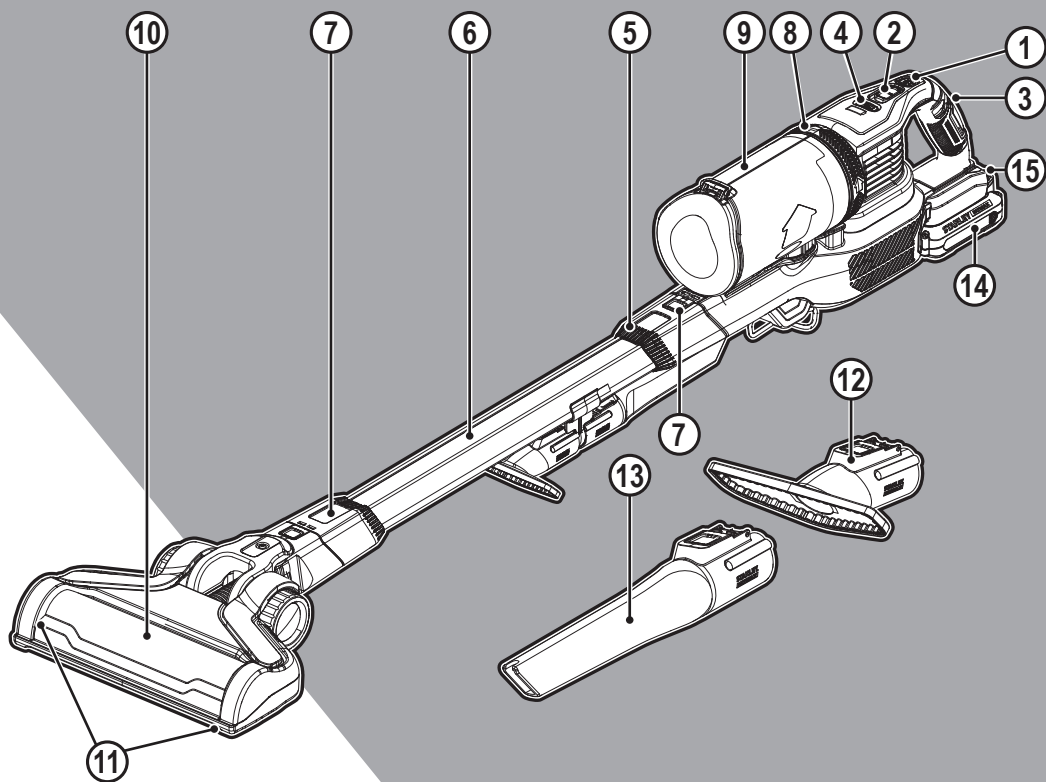


# STANLEY® FATMAX®

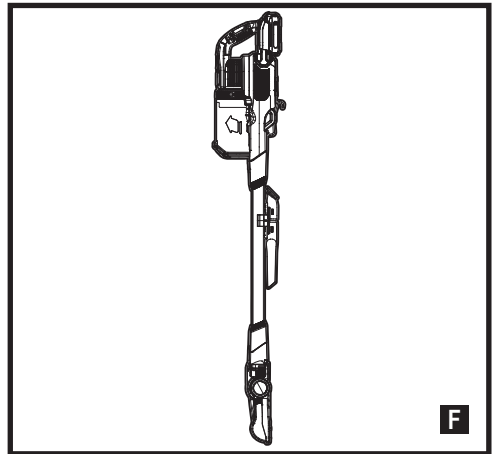
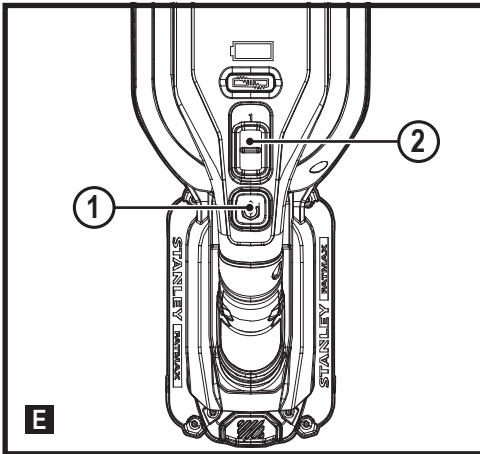
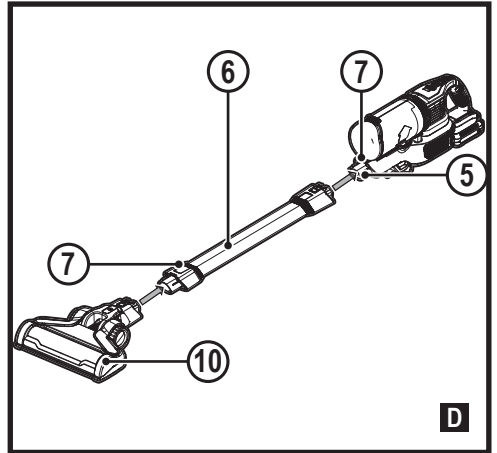
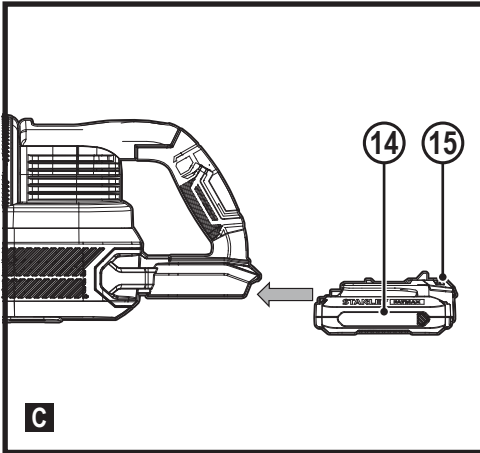
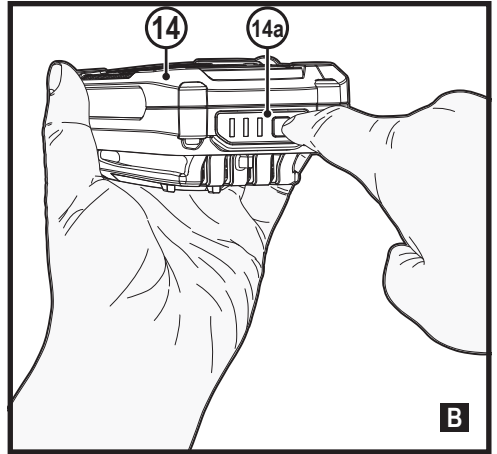
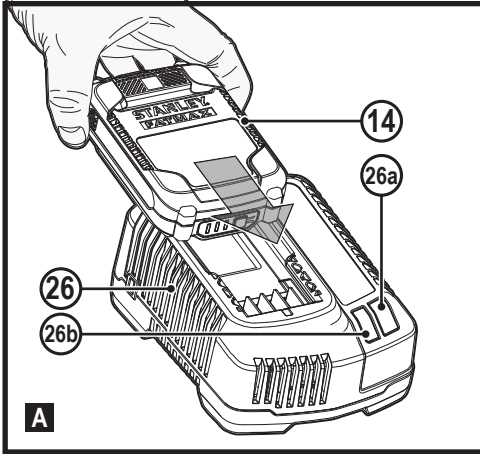
# V20 LITHIUM ION

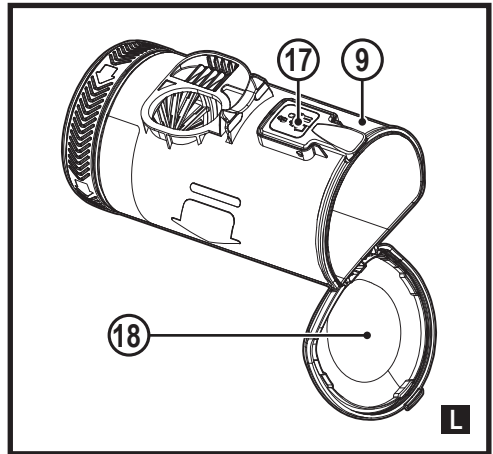
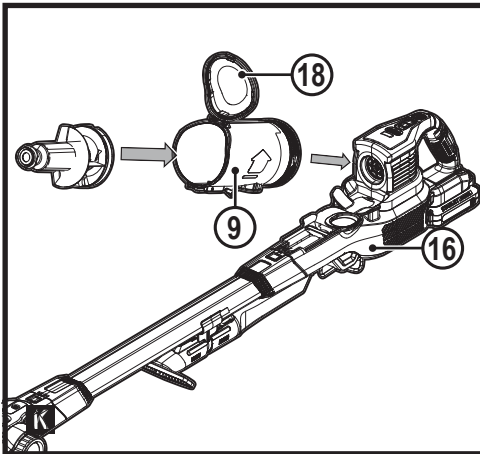
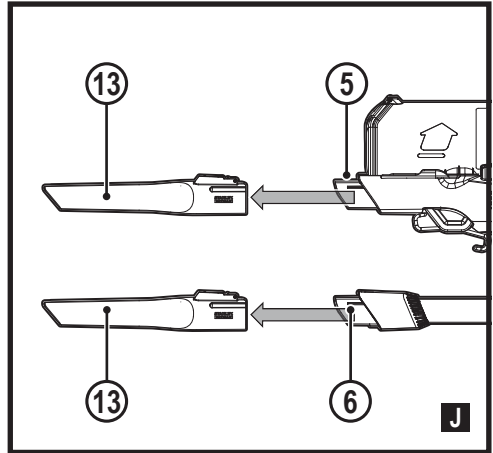
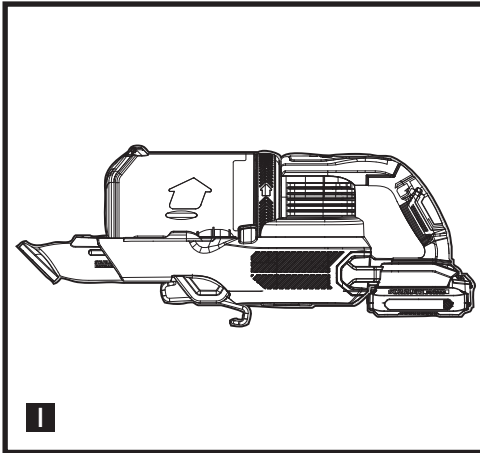
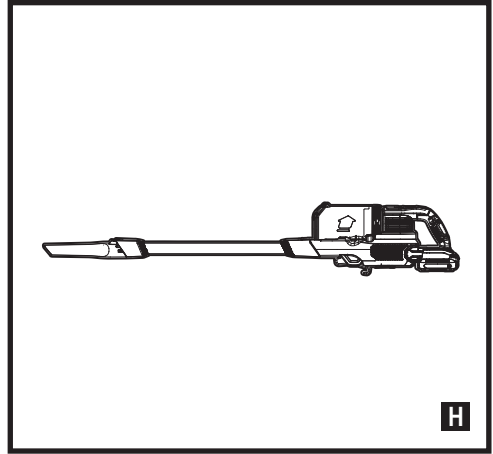
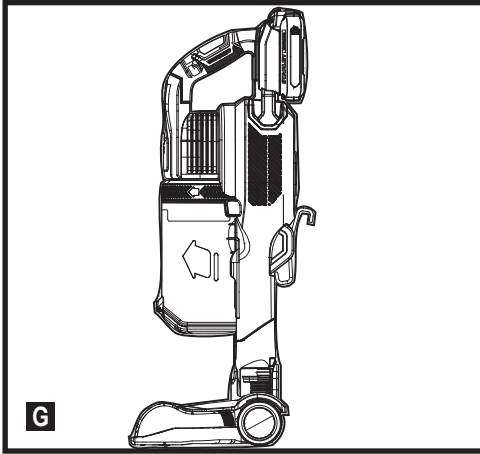


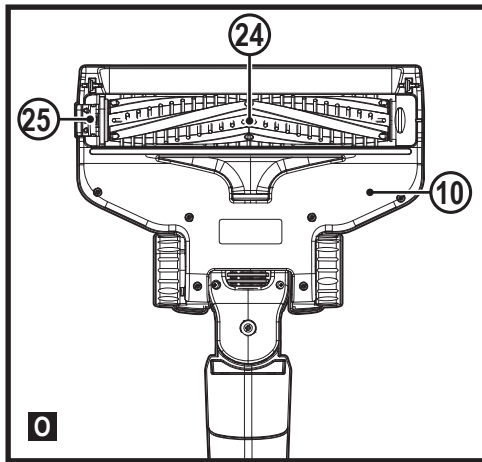
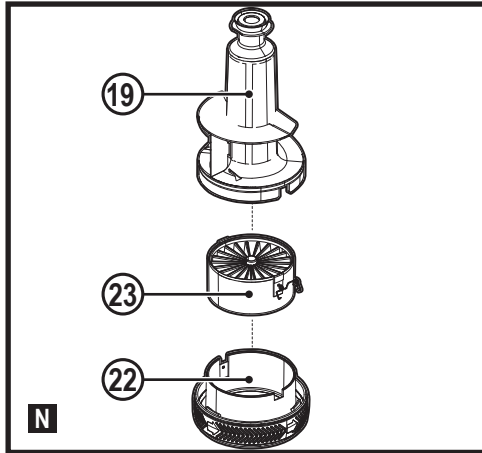
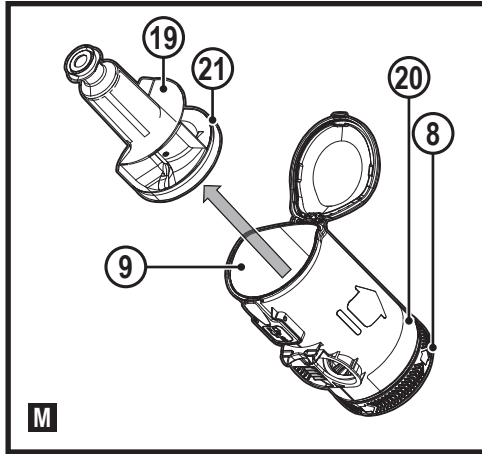
[www.stanley.eu](http://www.stanley.eu)

SFMCVS001









### Intended use

Your Stanley Fat Max SFMCVS001 cordless vacuum cleaner has been designed for dry vacuuming purposes. This appliance is intended for household use only.



Read all of this manual carefully before operating the appliance.

### Safety instructions



**Warning! Read all safety warnings and all instructions.**

Failure to follow the warnings and instructions listed below may result in electric shock, fire and/or serious injury.

- ◆ The intended use is described in this manual. The use of any accessory or attachment or the performance of any operation with this appliance other than those recommended in this instruction manual may present a risk of personal injury.
- ◆ Retain this manual for future reference.
- ◆ Rechargeable batteries are to be removed from the appliance before being charged;
- ◆ Different types of batteries or new and used batteries are not to be mixed;
- ◆ Batteries are to be inserted with the correct polarity;
- ◆ Exhausted batteries are to be removed from the appliance and safely disposed of;
- ◆ If the appliance is to be stored unused for a long period, the batteries should be removed;
- ◆ The supply terminals are not to be short-circuited.

## Using your appliance

- ◆ Do not use the appliance to pick up liquids or any materials that could catch fire.
- ◆ Do not immerse the appliance in water.
- ◆ Never pull the charger lead to disconnect the charger from the socket. Keep the charger lead away from heat, oil and sharp edges.

### Safety of others

- ◆ This appliance can be used by children aged from 8 years and above and persons with reduced physical, sensory or mental capabilities or lack of experience and knowledge if they have been given supervision or instruction concerning use of the appliance in a safe way and understand the hazards involved.
- ◆ Children shall not play with the appliance.
- ◆ Cleaning and user maintenance shall not be made by children without supervision.
- ◆ It must only be supplied at safety extra low voltage corresponding to the marking on the appliance.
- ◆ The supply terminals are not to be short-circuited.

## Inspection and repairs

Before use, check the appliance for damaged or defective parts.

Check for breakage of parts, damage to switches and any other conditions that may affect its operation.

- ◆ Do not use the appliance if any part is damaged or defective.
- ◆ Have any damaged or defective parts repaired or replaced by an authorized repair agent.
- ◆ Regularly check the charger lead for damage. Replace the charger if the lead is damaged or defective.
- ◆ Never attempt to remove or replace any parts other than those specified in this manual.

## Additional safety instructions

### After use

- ◆ Unplug the charger before cleaning.
- ◆ When not in use, the appliance should be stored in a dry place.
- ◆ Children should not have access to stored appliances.

### Residual risks

Additional residual risks may arise when using the tool which may not be included in the enclosed safety warnings. These risks can arise from misuse, prolonged use etc.

Even with the application of the relevant safety regulations and the implementation of safety devices, certain residual risks can not be avoided. These include:

- ◆ Injuries caused by touching any rotating/moving parts.
- ◆ Injuries caused when changing any parts, blades or accessories.
- ◆ Injuries caused by prolonged use of a tool. When using any tool for prolonged periods ensure you take regular breaks.
- ◆ Impairment of hearing.

- ◆ Health hazards caused by breathing dust developed when using your tool (example:- working with wood, especially oak, beech and MDF.)

### Batteries (not supplied)

- ◆ Never attempt to open for any reason.
- ◆ Do not expose the battery to water.
- ◆ Do not store in locations where the temperature may exceed 40 °C.
- ◆ Charge only at ambient temperatures between 10 °C and 40 °C.
- ◆ Charge only using the charger provided with the tool.
- ◆ If the appliance is to be stored unused for a long period, the batteries should be removed.
- ◆ When disposing of batteries, follow the instructions given in the section "Protecting the environment".



Do not attempt to charge damaged batteries.

### Chargers (not supplied)

- ◆ Use your Stanley Fat Max charger only to charge the battery in the tool with which it was supplied. Other batteries could burst, causing personal injury and damage.
- ◆ Never attempt to charge non-rechargeable batteries.
- ◆ Have defective cords replaced immediately.
- ◆ Do not expose the charger to water.
- ◆ If the supply cord is damaged, it must be replaced by the manufacturer or an authorised STANLEY FATMAX Service Centre in order to avoid a hazard.

- ◆ Do not open the charger.
- ◆ Do not probe the charger.



The charger is intended for indoor use only.

### Electrical safety



Your charger is double insulated; therefore no earth wire is required. Always check that the mains voltage corresponds to the voltage on the rating plate. Never attempt to replace the charger unit with a regular mains plug.

- ◆ **If the supply cord is damaged, it must be replaced by the manufacturer or an authorised STANLEY FAT MAX Service Centre in order to avoid a hazard.**

**Warning!** Never attempt to replace the charger unit with a regular mains plug.

#### Labels on appliance

The following symbols appear on this appliance along with the date code:



**Warning!** To reduce the risk of injury, the user must read the instruction manual.

#### Features

This tool includes some or all of the following features.

- 1 ON/OFF button
- 2 Variable power switch
- 3 Main handle
- 4 Floor brush ON/OFF button
- 5 Vacuum inlet
- 6 Extension tube
- 7 Accessory release latch
- 8 Filter agitator wheel
- 9 Lift away dust canister
- 10 Floor brush
- 11 LED worklight
- 12 6" brush tool
- 13 Crevice tool

- 14 Battery pack
- 15 Battery release button

## Assembly

### Charging the battery (not supplied) (Fig. A)

The battery needs to be charged before first use and whenever it fails to produce sufficient power on jobs that were easily done before.

The battery may become warm while charging; this is normal and does not indicate a problem.




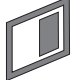


**Warning!** Do not charge the battery at ambient temperatures below 10 °C or above 40 °C. Recommended charging temperature: approx. 24 °C.

Note: The charger will not charge a battery if the cell temperature is below approximately 10 °C or above 40 °C. The battery should be left in the charger and the charger will begin to charge automatically when the cell temperature warms up or cools down.

**Note:** To ensure maximum performance and life of lithium-ion battery packs, charge the battery pack fully before first use.

- u Plug the charger (26) into an appropriate outlet before inserting battery pack (14).
- ◆ The green charging light (26a) will blink continuously indicating that the charging process has started.
- ◆ The completion of charge will be indicated by the green charging light (26a) remaining ON continuously. The battery pack (14) is fully charged and may be removed and used at this time or left in the charger (26).
- ◆ Charge discharged batteries within 1 week. Battery life will be greatly diminished if stored in a discharged state.

### Charger LED Modes

	Charging: Green LED Intermittent	
	Fully Charged: Green LED Solid	
	Hot/Cold Pack Delay: Green LED Intermittent Red LED Solid	

**Note:** The compatible charger(s) will not charge a faulty battery pack. The charger will indicate a faulty battery pack by refusing to light.

**Note:** This could also mean a problem with a charger. If the charger indicates a problem, take the charger and battery pack to be tested at an authorized service centre.

### Leaving the battery in the charger

The charger and battery pack can be left connected with the LED glowing indefinitely. The charger will keep the battery pack fresh and fully charged.

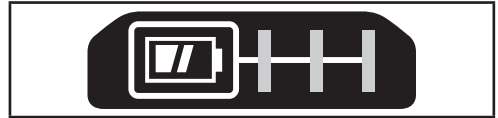
### Hot/Cold Pack Delay

When the charger detects a battery that is too hot or too cold, it automatically starts a Hot/Cold Pack Delay, the green LED (26a) will flash intermittently, while the red LED (26b) will remain on continuously, suspending charging until the battery has reached an appropriate temperature.

The charger then automatically switches to the pack charging mode. This feature ensures maximum battery life.

### Battery state of charge indicator (Fig. B)

The battery includes a state of charge indicator to quickly determine the extent of battery life as shown in figure B. By pressing the state of charge button (14a) you can easily view the charge remaining in the battery as illustrated in figure B.



### Installing and Removing the Battery Pack (not supplied) from the tool

#### To install battery pack (not supplied) (Fig. C)

- ◆ Insert battery pack firmly into tool until an audible click is heard as shown in figure C. Ensure battery pack is fully seated and fully latched into position.

#### To remove battery pack (not supplied) (Fig. C)

- ◆ Depress the battery release button (15) as shown in figure C and pull battery pack out of tool.

## Assembly (Fig. D)

- ◆ Align the top of the extension tube ( 6 ) with the vacuum inlet ( 5 ) as shown in Fig. D.
- ◆ Push the extension tube ( 6 ) onto the vacuum inlet ( 5 ) so it locks into position.
- ◆ Align the bottom of the extension tube ( 6 ) with the floor brush ( 10 ) as shown in Fig. D.
- ◆ Push the bottom of the extension tube ( 6 ) onto the floor brush ( 10 ) so it locks into position.
- ◆ To remove an accessory, press the accessory release latch ( 7 ) located on the vacuum inlet or the bottom of the extension tube and gently pull the connected accessory off.



**WARNING:** When not in use position the unit with the rear of the vacuum facing a wall so that any inadvertent fall of the unit would contact a wall and not people or pets.



## Use

This vacuum cleaner can be used in one of four ways.

- ◆ With the extension tube ( 6 ) and the floor brush ( 10 ). (Fig. F)
- ◆ With the floor brush ( 10 ). (Fig. G)
- ◆ With the extension tube ( 6 ) and an accessory tool ( 12 ), ( 13 ). (Fig. H)
- ◆ With an accessory tool ( 12 ), ( 13 ). (Fig. I)

## Switching ON and OFF (Fig. E)

- ◆ To switch ON, press the ON/OFF button ( 1 ).
- ◆ For increased power, slide the variable power switch ( 2 ) forward.  
NOTE: The state of charge indicator LEDs will illuminate while the vacuum is ON.
- ◆ To switch OFF, press the ON/OFF button ( 1 ) a second time.

Return the product to the charger immediately after use so that it will be ready and fully charged for the next use. Ensure that the product is fully engaged with the charger plug.

## Switching the Floor Brush OFF and ON

- ◆ To switch the floor brush OFF, press the Floor brush ON/OFF button ( 4 ).
- ◆ To switch the floor brush ON, press the floor brush ON/OFF button ( 4 ) a second time.  
NOTE: The LED worklights ( 11 ) will illuminate whenever the floor brush is switched ON.

## Using an Accessory Tool (Fig. J)

Your vacuum may come with some of the following tools.

Small crevice tool.  
6" Brush tool.

- ◆ The accessories ( 12 ), ( 13 ) can be fitted either directly to the extension tube ( 6 ) or to the vacuum inlet ( 5 ) as shown in Fig. J.
- ◆ Align the top of the accessories ( 12 ), ( 13 ) with the vacuum inlet ( 5 ) or extension tube ( 6 ) and push into place so it locks into position as shown in Fig. J.

## Cleaning and Emptying the Vacuum

### **WARNING:** Projectile/Respiratory

Hazard: Never use the vac without its filter.

**NOTE:** The filter is re-usable, do not confuse it with a disposable dust bag, and do not throw it away when the product is emptied. We recommend that you replace the filter every 6–9 months depending on frequency of use. There are two methods of cleaning the canister, a quick empty method and a thorough clean method.

## To Empty the Dust Canister (Fig. K, L)

- ◆ Lift and remove the lift away dust canister ( 9 ) from the chassis ( 16 ) as shown in Figure K.
- ◆ Place the dust canister over a trash bin and press the dust canister lid release button ( 17 ) to empty the dust canister as shown in Figure L.

- ◆ Close the dust canister lid ( 18 ), until it clicks firmly into position.
- ◆ Install the lift away dust canister ( 9 ) back onto the chassis ( 16 ).

## Removing Pre-filter (Fig. K, L, M)

- ◆ Lift and remove the lift away dust canister ( 9 ) from the chassis ( 16 ) as shown in Figure K.
- ◆ Place the dust canister over a trash bin and press the dust canister lid release button ( 17 ) to empty the dust canister as shown in Figure L.
- ◆ Use your index finger and thumb to pinch the pre-filter ( 19 ), pull the pre-filter ( 19 ) from the dust canister ( 9 ) as shown in Fig. M.  
NOTE: The filter housing fits snugly in the dust canister and may be difficult to remove at first.
- ◆ Empty the dust canister into a trash bin.  
NOTE: It is recommended that you agitate the filter when the pre-filter ( 19 ) is removed. See **Filter Agitator** section for instructions.
- ◆ Install the pre-filter ( 19 ) into the dust canister ( 9 ) ensuring the dust canister tab ( 20 ) aligns with the pre-filter slot ( 21 ) as shown in Fig. M.
- ◆ Install the dust canister onto the vacuum, until it clicks firmly into position.

## Filter Agitator (Fig. K, L, M)

- ◆ Lift and remove the lift away dust canister ( 9 ) from the chassis ( 16 ) as shown in Figure K.
- ◆ Place the dust canister over a trash bin and press the dust canister lid release button ( 17 ) to empty the dust canister as shown in Figure L.
- ◆ Use your index finger and thumb to pinch the pre-filter ( 19 ), pull the pre-filter ( 19 ) from the dust canister ( 9 ) as shown in Fig. M.  
NOTE: The filter housing fits snugly in the dust canister and may be difficult to remove at first.
- ◆ Rotate the filter agitator wheel ( 8 ) five to ten revolutions over a trash bin to remove excessive dust from the filter.
- ◆ Empty the dust canister into a trash bin.
- ◆ Install the pre-filter ( 19 ) into the dust canister ( 9 ) ensuring the dust canister tab ( 20 ) aligns with the pre-filter slot ( 21 ) as shown in Fig. M.
- ◆ Install the dust canister onto the vacuum, until it clicks firmly into position.

**IMPORTANT:** Maximum dust collection will only be obtained with clean filters and an empty dust canister. If dust begins to fall back out of the product after it is switched off, this indicates that the dust canister is full and requires emptying.

## Removing Filter (Fig. K, L, N)

- ◆ Lift and remove the lift away dust canister ( 9 ) from the chassis ( 16 ) as shown in Figure K.
- ◆ Place the dust canister over a trash bin and press the dust canister lid release button ( 17 ) to empty the dust canister as shown in Figure L.
- ◆ Grasp the agitator wheel housing ( 22 ) and pull up to remove.
- ◆ Remove the filter ( 23 ), from the agitator wheel housing ( 22 ) as shown in Fig. N.

- ◆ Shake off or lightly brush any loose dust from the filter.
- ◆ Install the filter ( 23 ), into the agitator wheel housing( 22 ).
- ◆ Install the agitator wheel housing ( 22 ) onto the dust canister, until it clicks firmly into position.

**Cleaning the Filters (Fig. M, N)**

- ◆ Once the filter and pre-filter are removed from the dust canister shake off or lightly brush any loose dust from the pre-filter ( 19 ) and filter ( 23 ).
- ◆ Rinse out the dust canister ( 9 ) with warm soapy water.
- ◆ Wash the filters with warm soapy water.
- ◆ Ensure the filters are completely dry before refitting.
- ◆ Follow instructions in the **Removing pre-filter and Removing filter** sections for assembly instructions.
- ◆ **IMPORTANT:** Maximum dust collection will only be obtained with clean filters and an empty dust canister. If dust begins to fall back out of the product after it is switched off, this indicates that the dust canister is full and requires emptying.
- ◆ Wash the filters regularly using warm, soapy water and ensure that it is completely dry before using again. The cleaner the filter is, the better the product will perform.
- ◆ It is very important that the filters are completely dry and correctly in position before use.

**Removing and Cleaning the Rotary Brushes (Fig. O)**



**CAUTION:** To reduce the risk of injury from moving parts, disconnect lift away canister before cleaning or servicing.

- ◆ To remove the rotary brush ( 24 ) from the floor brush ( 10 ) Depress the release button ( 25 ) as shown in Figure O.
- ◆ The rotary brush ( 24 ) can now be removed.
- ◆ Clean rotary brush, and reinstall. Ensure it is secured in its locked position before operating.

**Replacing the Filters**

The filters should be replaced every 6 to 9 months and whenever worn or damaged. Replacement filters are available from your STANLEY FATMAX dealer.

- ◆ Remove the old filters as described in **Cleaning the Filters**.
- ◆ Fit the new filters as described in **Cleaning the Filters**.

**Protecting the environment**



Separate collection. Products and batteries marked with this symbol must not be disposed of with normal household waste.

Products and batteries contain materials that can be recovered or recycled reducing the demand for raw materials. Please recycle electrical products and batteries according to local provisions. Further information is available at [www.2helpU.com](http://www.2helpU.com)

**Technical Data**

	SFMCVS001		
Voltage	18V		
Weight	3.1Kg		

Charger (not supplied)		SFMCB11	SFMCB12	SFMCB14
Input Voltage	V <sub>AC</sub>	230	230	230
Output Voltage	V <sub>DC</sub>	18	18	18
Current	A	1.25	2	4

Battery (not supplied)		SFMCB201	SFMCB202	SFMCB204	SFMCB206
Voltage	V <sub>DC</sub>	18	18	18	18
Capacity	Ah	1.5	2.0	4.0	6.0
Type		Li-Ion	Li-Ion	Li-Ion	Li-Ion

**Guarantee**

Stanley Fat Max is confident of the quality of its products and offers consumers a 12 month guarantee from the date of purchase. This guarantee is in addition to and in no way prejudices your statutory rights. The guarantee is valid within the territories of the Member States of the European Union and the European Free Trade Area and the United Kingdom.

To claim on the guarantee, the claim must be in accordance with Stanley Fat Max Terms and Conditions and you will need to submit proof of purchase to the seller or an authorised repair agent. Terms and conditions of the Stanley Fat Max 1 year guarantee and the location of your nearest authorised repair agent can be obtained on the Internet at [www.2helpU.com](http://www.2helpU.com), or by contacting your local Stanley Fat Max office at the address indicated in this manual.

Please visit our website [www.stanley.eu/3](http://www.stanley.eu/3) to register your new Stanley Fat Max product and receive updates on new products and special offers.



**United Kingdom**

Stanley Fat Max  
210 Bath Road  
Slough, Berkshire SL1 3YD

Tel. 01753 511234  
Fax 01753 572112  
[www.stanleytools.co.uk](http://www.stanleytools.co.uk)