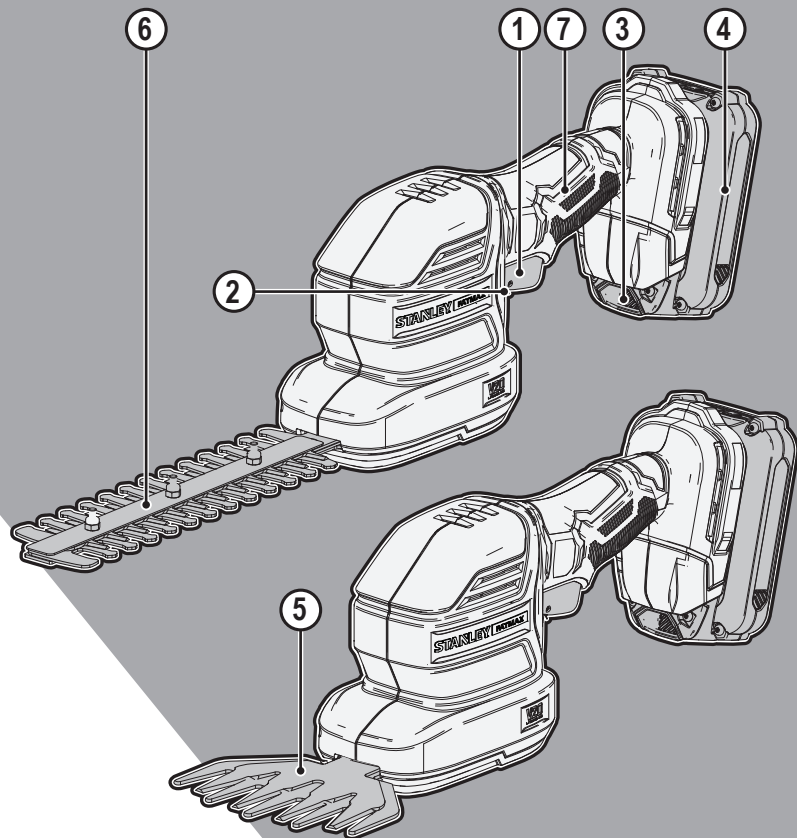


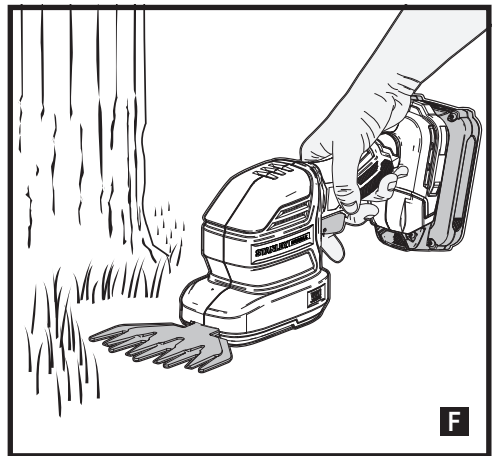
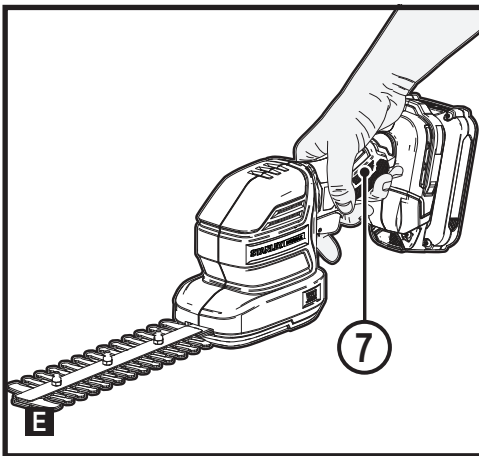
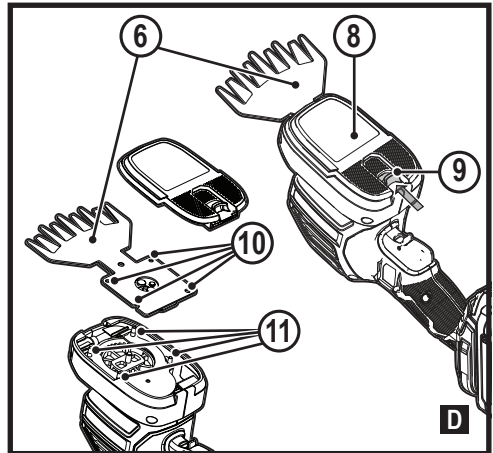
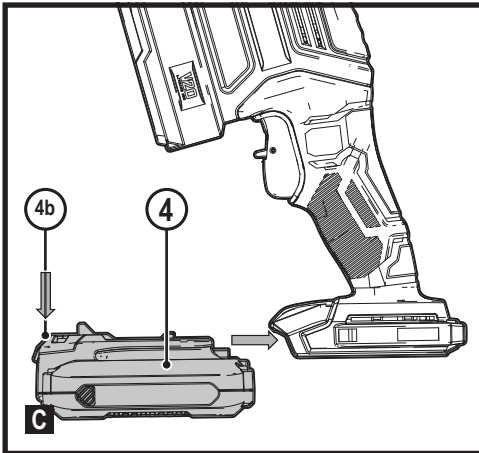
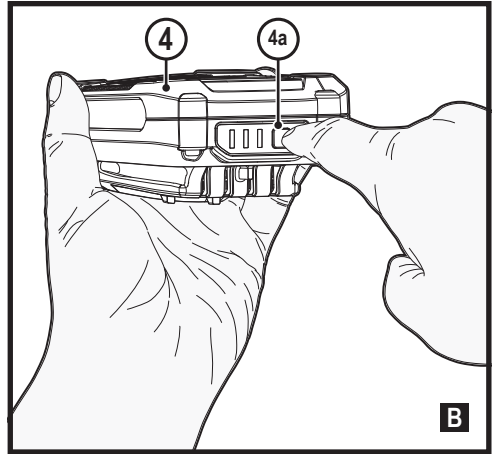
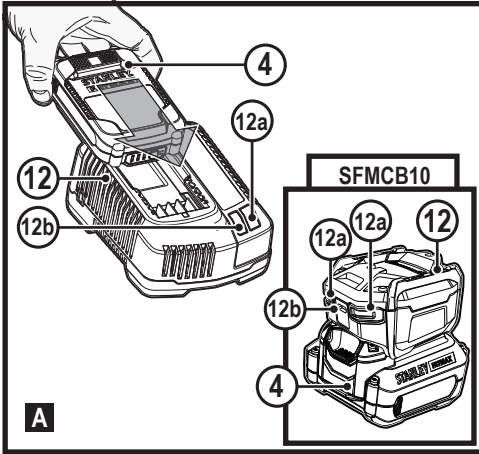
STANLEY[®] FATMAX[®] V20 LITHIUM ION

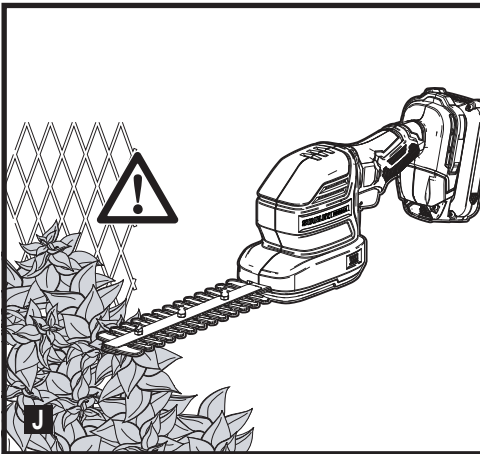
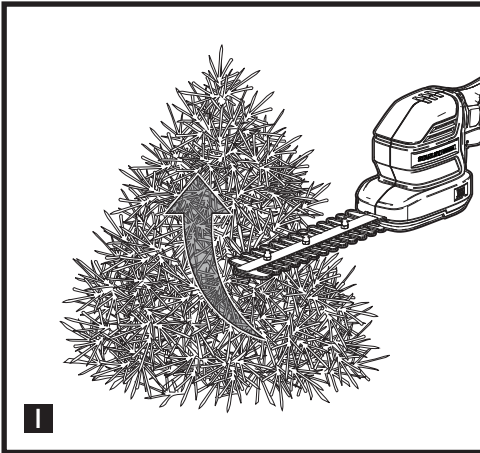
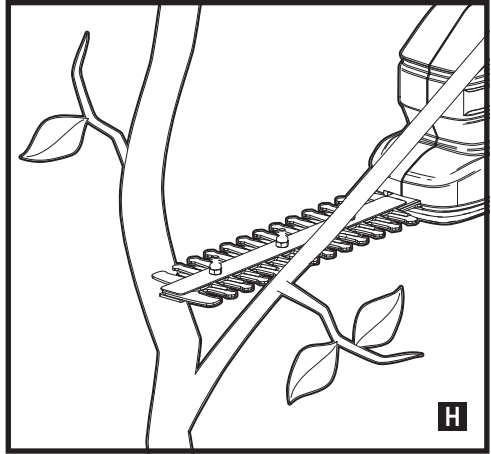
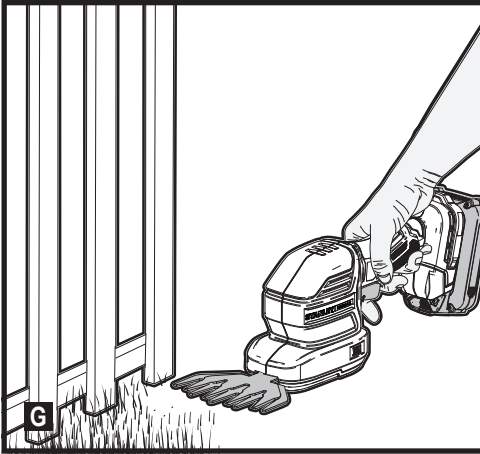


www.stanleytools.eu
www.stanleytools.com.au
www.stanleytools.co.nz



STCSS20





Intended use

Your STANLEY FATMAX SFCSS20 cordless garden shear has been designed for cutting and trimming applications. This tool intended is only for professional and non professional use.

Safety instructions

General power tool safety warnings



WARNING! Read all safety warnings, instructions, illustrations and specifications provided with this power tool. Failure to follow the warnings and instructions listed may result in electric shock, fire and/or serious injury.

Save all warnings and instructions for future reference.

The term "power tool" in the warnings refers to your mains-operated (corded) power tool or battery-operated (cordless) power tool.

1. Work area safety

- a. **Keep work area clean and well lit.** Cluttered or dark areas invite accidents.
- b. **Do not operate power tools in explosive atmospheres, such as in the presence of flammable liquids, gases or dust.** Power tools create sparks which may ignite the dust or fumes.
- c. **Keep children and bystanders away while operating a power tool.** Distractions can cause you to lose control.

2. Electrical safety

- a. **Power tool plugs must match the outlet. Never modify the plug in any way. Do not use any adapter plugs with earthed (grounded) power tools.** Unmodified plugs and matching outlets will reduce risk of electric shock.

- b. **Avoid body contact with earthed or grounded surfaces such as pipes, radiators, ranges and refrigerators.** There is an increased risk of electric shock if your body is earthed or grounded.
 - c. **Do not expose power tools to rain or wet conditions.** Water entering a power tool will increase the risk of electric shock.
 - d. **Do not abuse the cord. Never use the cord for carrying, pulling or unplugging the power tool. Keep cord away from heat, oil, sharp edges or moving parts.** Damaged or entangled cords increase the risk of electric shock.
 - e. **When operating a power tool outdoors, use an extension cord suitable for outdoor use.** Use of a cord suitable for outdoor use reduces the risk of electric shock.
 - f. **If operating a power tool in a damp location is unavoidable, use a residual current device (RCD) protected supply.** Use of an RCD reduces the risk of electric shock.
3. **Personal safety**
- a. **Stay alert, watch what you are doing and use common sense when operating a power tool.**
Do not use a power tool while you are tired or under the influence of drugs, alcohol or medication. A moment of inattention while operating power tools may result in serious personal injury.
 - b. **Use personal protective equipment. Always wear eye protection.** Protective equipment such as a dust mask, non-skid safety shoes, hard hat, or hearing protection used for appropriate conditions will reduce personal injuries.
 - c. **Prevent unintentional starting. Ensure the switch is in the off-position before connecting to power source and/or battery pack, picking up or carrying the tool.** Carrying power tools with your finger on the switch or energising power tools that have the switch on invites accidents.
 - d. **Remove any adjusting key or wrench before turning the power tool on.** A wrench or a key left attached to a rotating part of the power tool may result in personal injury.
 - e. **Do not overreach. Keep proper footing and balance at all times.** This enables better control of the power tool in unexpected situations.
 - f. **Dress properly. Do not wear loose clothing or jewellery. Keep your hair and clothing away from moving parts.** Loose clothes, jewellery or long hair can be caught in moving parts.
 - g. **If devices are provided for the connection of dust extraction and collection facilities, ensure these are connected and properly used.** Use of dust collection can reduce dust-related hazards.
 - h. **Do not let familiarity gained from frequent use of tools allow you to become complacent and ignore tool safety principles.** A careless action can cause severe injury within a fraction of a second.
4. **Power tool use and care**
- a. **Do not force the power tool. Use the correct power tool for your application.**
The correct power tool will do the job better and safer at the rate for which it was designed.
 - b. **Do not use the power tool if the switch does not turn it on and off.** Any power tool that cannot be controlled with the switch is dangerous and must be repaired.
 - c. **Disconnect the plug from the power source and/or remove the battery pack, if detachable from the power tool before making any adjustments, changing accessories, or storing power tools.** Such preventive safety measures reduce the risk of starting the power tool accidentally.
 - d. **Store idle power tools out of the reach of children and do not allow persons unfamiliar with the power tool or these instructions to operate the power tool.**
Power tools are dangerous in the hands of untrained users.
 - e. **Maintain power tools and accessories. Check for misalignment or binding of moving parts, breakage of parts and any other condition that may affect the power tools operation. If damaged, have the power tool repaired before use.** Many accidents are caused by poorly maintained power tools.
 - f. **Keep cutting tools sharp and clean.** Properly maintained cutting tools with sharp cutting edges are less likely to bind and are easier to control.
 - g. **Use the power tool, accessories and tool bits etc. in accordance with these instructions, taking into account the working conditions and the work to be performed.** Use of the power tool for operations different from those intended could result in a hazardous situation.
 - h. **Keep handles and grasping surfaces dry, clean and free from oil and grease.** Slippery handles and grasping surfaces do not allow for safe handling and control of the tool in unexpected situations.
5. **Battery tool use and care**
- a. **Recharge only with the charger specified by the manufacturer.** A charger that is suitable for one type of battery pack may create a risk of fire when used with another battery pack.
 - b. **Use power tools only with specifically designated battery packs.** Use of any other battery packs may create a risk of injury and fire.

- c. **When battery pack is not in use, keep it away from other metal objects, like paper clips, coins, keys, nails, screws, or other small metal objects, that can make a connection from one terminal to another.** Shorting the battery terminals together may cause burns or a fire.
- d. **Under abusive conditions, liquid may be ejected from the battery; avoid contact. If contact accidentally occurs, flush with water. If liquid contacts eyes, additionally seek medical help.** Liquid ejected from the battery may cause irritation or burns.
- e. **Do not use a battery pack or tool that is damaged or modified.** Damaged or modified batteries may exhibit unpredictable behaviour resulting in fire, explosion or risk of injury.
- f. **Do not expose a battery pack or tool to fire or excessive temperature.** Exposure to fire or temperature above 130 °C may cause explosion.
- g. **Follow all charging instructions and do not charge the battery pack or tool outside the temperature range specified in the instructions.** Charging improperly or at temperatures outside the specified range may damage the battery and increase the risk of fire.
6. **Service**
- a. **Have your power tool serviced by a qualified repair person using only identical replacement parts.** This will ensure that the safety of the power tool is maintained.
- b. **Never service damaged battery packs.** Service of battery packs should only be performed by the manufacturer or authorized service providers.

Additional power tool safety warnings



WARNING! Additional safety warnings for grass shear / hedge trimmer

- ◆ **Do not use the grass shear / hedge trimmer in bad weather conditions, especially when there is a risk of lightning.** This decreases the risk of being struck by lightning.
 - ◆ **Keep all power cords and cables away from cutting area.** Power cords or cables may be hidden in hedges or bushes and can be accidentally cut by the blade.
 - ◆ **Wear ear protection.** Adequate protective equipment will reduce the risk of hearing loss.
 - ◆ **Hold the grass shear / hedge trimmer by insulated gripping surfaces only, because the blade may contact hidden wiring.** Blades contacting a “live” wire may make exposed metal parts of the grass shear / hedge trimmer “live” and could give the operator an electric shock.
 - ◆ **Keep all parts of the body away from the blade. Do not remove cut material or hold material to be cut when blades are moving.**
- Blades continue to move after the switch is turned off. A moment of inattention while operating the grass shear / hedge trimmer may result in serious personal injury.
- ◆ **When clearing jammed material or servicing the grass shear / hedge trimmer, make sure all power switches are off and the battery pack is removed or disconnected.** Unexpected actuation of the grass shear / hedge trimmer while clearing jammed material or servicing may result in serious personal injury.
 - ◆ **Carry the grass shear / hedge trimmer by the handle with the blade stopped and taking care not to operate any power switch.** Proper carrying of the grass shear / hedge trimmer will decrease the risk of inadvertent starting and resultant personal injury from the blades.
 - ◆ **When transporting or storing the grass shear / hedge trimmer, always use the blade cover.** Proper handling of the grass shear / hedge trimmer will decrease the risk of personal injury from the blades.
 - ◆ **This tool is not intended for use by persons (including children) with reduced physical, sensory or mental capabilities, or lack of experience and knowledge, unless they have been given supervision or instruction concerning use of the appliance by a person responsible for their safety.** Children should be supervised to ensure that they do not play with the appliance.
 - ◆ **The intended use is described in this instruction manual.** The use of any accessory or attachment or performance of any operation with this tool other than those recommended in this instruction manual may present a risk of personal injury and/or damage to property.
 - ◆ **Do not carry the tool with your hands on the trigger switch unless the battery has been removed.**
 - ◆ **If you have not used a hedge trimmer before, preferably seek practical instruction by an experienced user in addition to studying this manual.**
 - ◆ **Never touch the blades while the tool is running.**
 - ◆ **Never attempt to force the blades to come to a standstill.**
 - ◆ **Do not put the tool down until the blades have come to a complete standstill.**
 - ◆ **Regularly check the blades for damage and wear.** Do not use the tool when the blades are damaged.
 - ◆ **Take care to avoid hard objects (e.g. metal wire, railings) when trimming.** Should you accidentally hit any such object, immediately switch the tool off and check for any damage.
 - ◆ **Should the tool start to vibrate abnormally, immediately switch it off and check for any damage.**
 - ◆ **If the tool stalls, immediately switch it off.** Remove the battery before attempting to remove any obstructions.
 - ◆ **After use, place the blade sheath supplied over the blades.** Store the tool, making sure that the blade is not exposed.
 - ◆ **Never attempt to use an incomplete tool or a tool with unauthorised modifications.**

- ◆ Never allow children to use the tool.
- ◆ Be aware of falling debris when cutting the higher sides of a hedge.
- ◆ Always hold the tool with both hands and by the handles provided.

Residual risks

Additional residual risks may arise when using the tool which may not be included in the enclosed safety warnings. These risks can arise from misuse, prolonged use etc. Even with the application of the relevant safety regulations and the implementation of safety devices, certain residual risks can not be avoided. These include:

- ◆ Injuries caused by touching any rotating/moving parts.
- ◆ Injuries caused when changing any parts, blades or accessories.
- ◆ Injuries caused by prolonged use of a tool. When using any tool for prolonged periods ensure you take regular breaks.
- ◆ Impairment of hearing.
- ◆ Health hazards caused by breathing dust developed when using your tool (example:- working with wood, especially oak, beech and MDF.)

Labels on tools

The following pictograms, along with the date code, are shown on the tool:



WARNING! To reduce the risk of injury, the user must read the instruction manual.



Wear safety glasses or goggles when operating this tool.



Wear ear protection when operating this tool.



Always remove the battery from the appliance before performing any cleaning or maintenance.



Do not expose the tool to rain or high humidity.



Keep hands away from blades.



Guaranteed sound power level (2000/14/EU).

- ◆ Do not expose the battery to water.
- ◆ Do not store in locations where the temperature may exceed 40 °C.
- ◆ Charge only at ambient temperatures between 10 °C and 40 °C.
- ◆ Charge only using the charger provided with the tool.
- ◆ When disposing of batteries, follow the instructions given in the section "Protecting the environment".

Chargers

- ◆ Use your STANLEY FATMAX charger only to charge the battery in the tool with which it was supplied. Other batteries could burst, causing personal injury and damage.
- ◆ Never attempt to charge non-rechargeable batteries.
- ◆ Have defective cords replaced immediately.
- ◆ Do not expose the charger to water.
- ◆ Do not open the charger.
- ◆ Do not probe the charger.



The charger is intended for indoor use only.



Read the instruction manual before use.



Do not attempt to charge damaged batteries.

Electrical safety



Your charger is double insulated; therefore no earth wire is required. Always check that the mains voltage corresponds to the voltage on the rating plate. Never attempt to replace the charger unit with a regular mains plug.

- ◆ If the supply cord is damaged, it must be replaced by the manufacturer or an authorised STANLEY FATMAX Service Centre in order to avoid a hazard.

WARNING! Never attempt to replace the charger unit with a regular mains plug.

Features

This tool includes some or all of the following features.

1. Trigger switch
2. Lock-off switch
3. Battery release button
4. Battery pack
5. Grass shear blade
6. Shrub trim blade
7. Main handle

Use

WARNING! Let the tool work at its own pace. Do not overload.

Charging the battery (Fig. A)

The battery needs to be charged before first use and whenever it fails to produce sufficient power on jobs that were easily done before.

Additional safety instructions for batteries and chargers

Batteries

- ◆ Never attempt to open for any reason.

The battery may become warm while charging; this is normal and does not indicate a problem.

WARNING! Do not charge the battery at ambient temperatures below 10 °C or above 40 °C. Recommended charging temperature: approx. 24 °C.

Note: The charger will not charge a battery if the cell temperature is below approximately 10 °C or above 40 °C. The battery should be left in the charger and the charger will begin to charge automatically when the cell temperature warms up or cools down.

Note: To ensure maximum performance and life of lithium-ion battery packs, charge the battery pack fully before first use.

- ◆ Plug the charger (12) into an appropriate outlet before inserting battery pack (4).
- ◆ The green charging light (12a) will blink continuously indicating that the charging process has started.
- ◆ The completion of charge will be indicated by the green charging light (12a) remaining ON continuously. The battery pack (4) is fully charged and may be removed and used at this time or left in the charger (12).
- ◆ Charge discharged batteries within 1 week. Battery life will be greatly diminished if stored in a discharged state.

Charger LED Modes

	Charging: Green LED Intermittent	
	Fully Charged: Green LED Solid	
	Hot/Cold Pack Delay: Green LED Intermittent Red LED Solid	

Only SFMCB10 Charger Indicators

	Charging:	
	Fully Charged:	

	Hot/Cold Pack Delay:	
--	-----------------------------	--

Note: The compatible charger(s) will not charge a faulty battery pack. The charger will indicate a faulty battery pack by refusing to light.

Note: This could also mean a problem with a charger. If the charger indicates a problem, take the charger and battery pack to be tested at an authorized service centre.

Leaving the battery in the charger

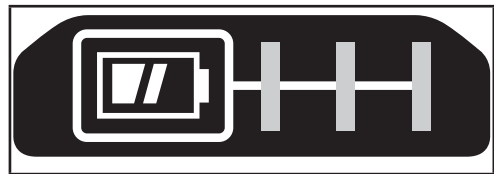
The charger and battery pack can be left connected with the LED glowing indefinitely. The charger will keep the battery pack fresh and fully charged.

Hot/Cold Pack Delay

When the charger detects a battery that is too hot or too cold, it automatically starts a Hot/Cold Pack Delay, the green LED (12a) will flash intermittently, while the red LED (12b) will remain on continuously, suspending charging until the battery has reached an appropriate temperature. The charger then automatically switches to the pack charging mode. This feature ensures maximum battery life.

Battery state of charge indicator (Fig. B)

The battery includes a state of charge indicator to quickly determine the extent of battery life as shown in figure B. By pressing the state of charge button (4a) you can easily view the charge remaining in the battery as illustrated in figure B.



Installing and Removing the Battery Pack from the tool

WARNING! Make certain the lock-off button is engaged to prevent switch actuation before removing or installing battery.

To install battery pack (Fig. C)

Note: For best results, make sure your battery pack is fully charged.

To install the battery pack (4) into the tool, align the battery pack with the rails inside tools battery port and slide it into the port until the battery pack is firmly seated and ensure that it does not disengage.

To remove the battery pack from the tool, press the release button (4b) and firmly pull the battery pack out of the tool. Insert it into the charger as described in the charger section of this manual.

Fitting and removing blades (Fig. D)

The grass shear blade (5) has been designed for trimming grass and weeds. The shrub trim blade (6) has been designed for trimming hedges and shrubs.

- ◆ To fit the blade, remove the blade cover (8) by pushing and holding the blade release button (9) in the direction of the arrow.
- ◆ Remove the blade cover (8).
- ◆ Align the positioning pin holes (10) on the blade with the positioning pins (11).
- ◆ Replace the blade cover (8).
- ◆ The blade release button snaps into closed position.

Operation

WARNING! To reduce the risk of serious personal injury, turn unit off and remove the battery pack before making any adjustments or removing/installing attachments or accessories. An accidental start-up can cause injury.

Proper hand position (Fig. E)

WARNING! To reduce the risk of serious personal injury, ALWAYS use proper hand position as shown.

WARNING! To reduce the risk of serious personal injury, ALWAYS hold securely in anticipation of a sudden reaction. Proper hand position requires one hand on the main handle (7).

CAUTION: Blades coast after turn off.

WARNING! KEEP other hand away from blade.

Trigger switch

WARNING! Never attempt to lock a switch in the ON position.

CAUTION: Do not use blade to cut stems greater than 8 mm (Fig H). Use the trimmer only for cutting normal shrubbery around houses and buildings.

To turn the tool "ON", shift the lock off switch (2) and squeeze the trigger switch (1) First page. Once the unit is running, you may release the lock off switch.

To turn the tool "OFF", release the trigger.

Hints for optimum use

Trimming Grass (Figs. F - G)

CAUTION: Blades coast after turn off.

- ◆ In order to achieve optimum cutting results, only cut dry grass.
- ◆ Hold the tool as shown in Fig. F. Keep your other hand well away from the blade. Maintain a stable working position so that you do not slip. Do not overreach.
- ◆ When cutting long grass, work in stages from the top. Take small cuts.
- ◆ Keep the tool away from hard objects and delicate plants.
- ◆ If the tool starts running slowly, reduce the load.
- ◆ To make a closer cut, slightly tilt the tool.

Trimming hedges (Fig. H - J)

CAUTION: Blades coast after turn off.

- ◆ Slightly tilt the tool (up to 15° relative to the line of cut) so that the blade tips point slightly towards the hedge. This will cause the blades to cut more effectively.
- ◆ Start by trimming the top of the hedge.
- ◆ Hold the tool at the desired angle and move it steadily along the line of cut. The double-sided blade allows you to cut in either direction.
- ◆ In order to obtain a very straight cut, stretch a piece of string along the length of the hedge at the desired height. Use the string as a guide line, cutting just above it.
- ◆ In order to obtain flat sides, cut upwards with the growth. Younger stems move outwards when the blade cuts downwards, causing shallow patches in the hedge.
- ◆ Take care to avoid any foreign objects. Especially avoid hard objects such as metal wire and railings, as these could damage the blades.
- ◆ Regularly oil the blades.

Guidelines for trimming (UK & Ireland)

- ◆ Trim hedges and shrubs with seasonal leaves (new leaves every year) in June and October.
- ◆ Trim evergreens in April and August.
- ◆ Trim conifers and other fast growing shrubs every six weeks from May until October.

Guidelines for trimming (Australia & New Zealand)

- ◆ Trim hedges and shrubs with seasonal leaves (new leaves every year) in December and March.
- ◆ Trim evergreens in September and February.
- ◆ Trim conifers and other fast growing shrubs every six weeks from October until March.

Blade Maintenance (Fig. J)

The cutting blades are made from high quality, hardened steel and with normal usage, they will not require sharpening. However, if you accidentally hit a wire fence stones, glass, or other hard objects, you may put a nick in the blade. There is no need to remove this nick as long as it does not interfere with the movement of the blade. If it does interfere, remove the battery and use a fine toothed file or sharpening stone to remove the nick.

If you drop the trimmer, carefully inspect it for damage. If the blade is bent, housing cracked, handles broken or if you see any other condition that may affect the tool's operation contact your local authorized service center for repairs before putting it back into use.

Blade lubrication

WARNING! ALWAYS use safety glasses. Everyday eyeglasses are NOT safety glasses.

- ◆ After use, remove the battery (4) First page.
- ◆ Carefully apply a resin solvent to the exposed blades.

- ◆ Insert the battery and turn the tool vertical with the blades toward the ground and run the tool for a few seconds to fully disperse the lubrication.

Accessories

WARNING! Since accessories, other than those offered by STANLEY FATMAX, have not been tested with this product, use of such accessories with this tool could be hazardous. To reduce the risk of injury, only STANLEY FATMAX recommended accessories should be used with this product.

Maintenance

Your STANLEY FATMAX corded and cordless tool has been designed to operate over a long period of time with a minimum of maintenance. Continuous satisfactory operation depends upon proper tool care and regular cleaning.

WARNING! Before performing any maintenance on cordless tools:

- ◆ Run the battery down completely if it is integral and then switch off.
- ◆ Unplug the charger before cleaning it. Your charger does not require any maintenance apart from regular cleaning.
- ◆ Regularly clean the ventilation slots in your tool/charger using a soft brush or dry cloth.
- ◆ Regularly clean the motor housing using a damp cloth. Do not use any abrasive or solvent-based cleaner.
- ◆ If the supply cord is damaged, it must be replaced by the manufacturer, its service agent or similarly qualified persons in order to avoid a hazard .

Protecting the environment



Products/batteries are recyclable, but if marked with the crossed-out bin, they must not be disposed of with normal household waste.

Run the batteries down completely and separate them, and separate any light sources from the product if possible. It is the user's responsibility to delete personal data from the product. Then take the waste to an official waste collection center or a participating retailer who will often accept it free of charge. Packaging should be discarded based on the marked material code. Operating and safety instructions should only be discarded once the applicable product is no longer in use. Please check with your local community/municipality for waste management guidance. For further information, visit www.2helpU.com and scan the above QR code

Technical Data

STCSS20 Type 1		
Voltage	V	18V(MAX 20V)
Blade Length (shear)	cm	10
Blade gap (shear)	mm	23
Blade Length (trimmer)	cm	20
Blade gap (trimmer)	mm	8
Weight		0.89 kg

Charger		SFMCB10	SFMCB11	SFMCB12	SFMCB14
Input Voltage	V _{AC}	230	230	230	230
Output Voltage	V _{DC}	18	18	18	18
Current	A	1.25	1.25	2	4

Battery		SFMCB201	SFMCB202	SFMCB204	SFMCB206
Voltage	V _{DC}	18	18	18	18
Capacity	Ah	1.5	2.0	4.0	6.0
Type		Li-Ion	Li-Ion	Li-Ion	Li-Ion
Weight	Kg	0.37	0.37	0.67	0.67

Vibration and noise

The declared vibration and noise emission values stated in the technical data and the declaration of conformity have been measured in accordance with a standard test method provided by EN62841 and may be used for comparing one tool with another.

The declared vibration and noise emission value may also be used in a preliminary assessment of exposure.

WARNING! The vibration emission value during actual use of the power tool can differ from the declared value depending on the ways in which the tool is used. The vibration level may increase above the level stated.

When assessing vibration exposure to determine safety measures required by 2002/44/EC to protect persons regularly using power tools in employment, an estimation of vibration exposure should consider, the actual conditions of use and the way the tool is used, including taking account of all parts of the operating cycle such as the times when the tool is switched off and when it is running idle in addition to the trigger time.

Level of sound pressure according to EN62841:

Sound pressure (L_{pa}) 79 dB(A), uncertainty (K) 2.3 dB(A)

Sound power (L_{wa}) 72 dB(A), uncertainty (K) 3 dB(A)

Vibration total values (triax vector sum) according to EN62841:

Vibration (a_v) <2.5 m/s², uncertainty (K) 1.5 m/s²

EC declaration of conformity

MACHINERY DIRECTIVE



STCSS20 - Shear Shrubber

STANLEY FATMAX Europe declares these products described under Technical Data are in compliance with:
2006/42/EC, EN 62841-1:2015 + A11:2022, EN 62841-4-2:2019+A1:2022+A11:2022, EN IEC 62841-4-5:2021+A11:2021.

Level of acoustic power according to 2000/14/EC Annex V, Category Annex I: item 25

L_{WA} (measured sound power level) : 79 dB

L_{WA} (guaranteed sound power level) : 81 dB.

This product also comply with Directive 2014/30/EU and 2011/65/EU.

For more information, please contact STANLEY FATMAX at the following address or refer to the back of the manual.

The undersigned is responsible for compilation of the technical file and makes this declaration on behalf of STANLEY FATMAX.

Patrick Diepenbach
General Manager, Benelux
STANLEY FATMAX,
Richard-Klinger-Strasse 11,
65510 Idstein, Germany
24/07/2024

Guarantee

STANLEY FATMAX is confident of the quality of its products and offers consumers a 12 month guarantee from the date of purchase. This guarantee is in addition to and in no way prejudices your statutory rights. The guarantee is valid within the territories of the Member States of the European Union and the European Free Trade Area and the United Kingdom. To claim on the guarantee, the claim must be in accordance with STANLEY FATMAX Terms and Conditions and you will need to submit proof of purchase to the seller or an authorised repair agent.

Terms and conditions of the STANLEY FATMAX 1 year guarantee and the location of your nearest authorised repair agent can be obtained on the Internet at www.2helpU.com, or by contacting your local STANLEY FATMAX office at the address indicated in this manual.

Please visit our website www.stanley.eu/3 to register your new STANLEY FATMAX product and receive updates on new products and special offers.

United Kingdom

Stanley Fat Max
Meadowfield Avenue, Spennymoor
DL16 6YJ England

Tel. 01753 511234
Fax 01753 572112
www.stanleytools.co.uk

Australia & New Zealand

Stanley FatMax
810 Whitehorse Road Box Hill VIC 3128,
Australia
www.stanleytools.com.au
www.stanleytools.co.nz

Tel. 1800 338 002 (Aus)
Tel. 0800 339 258 (NZ)