

**DEWALT**®

**XR**®



**[www.DEWALT.com](http://www.DEWALT.com)**

**DCMCST635**



Fig. A

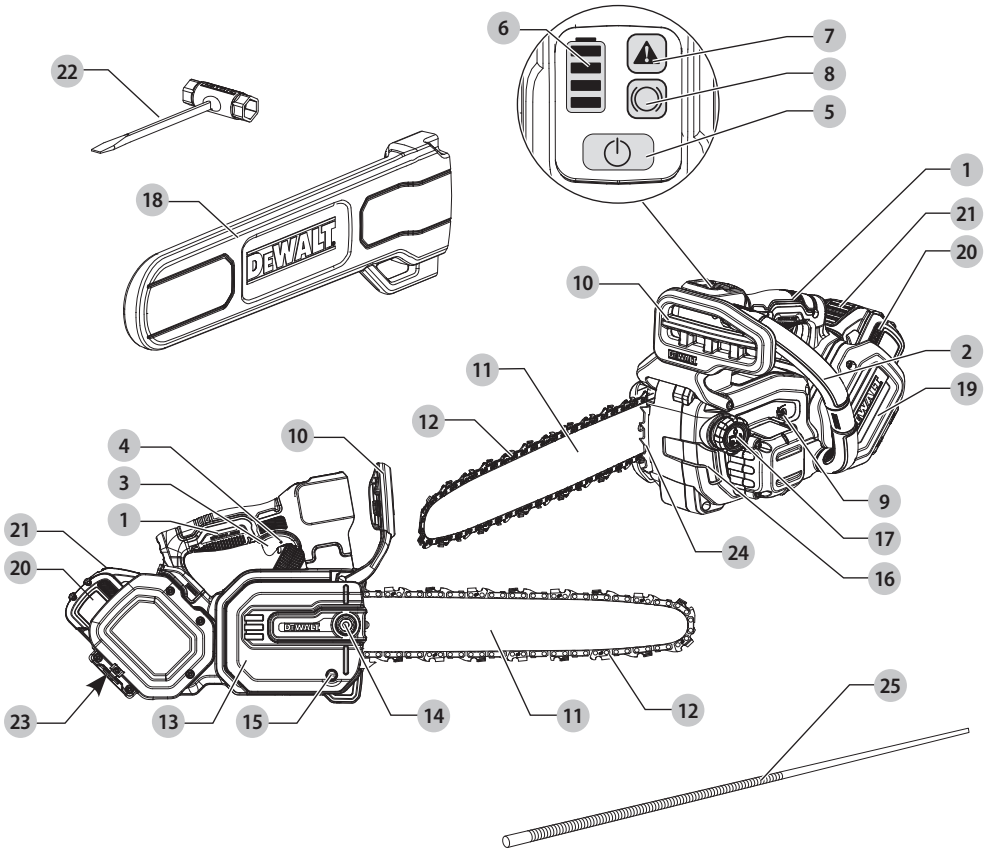


Fig. B

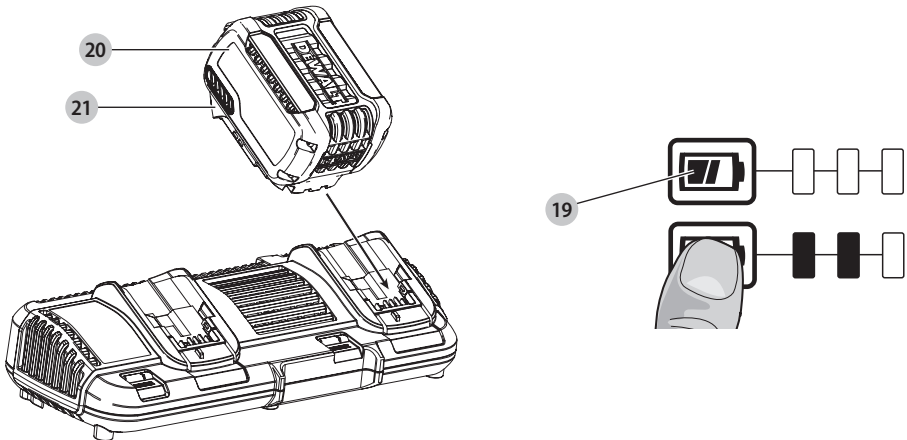


Fig. C

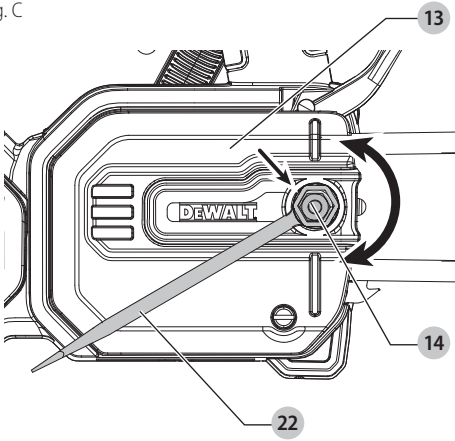


Fig. D

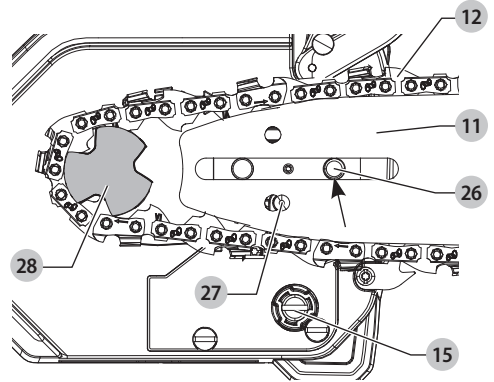


Fig. E

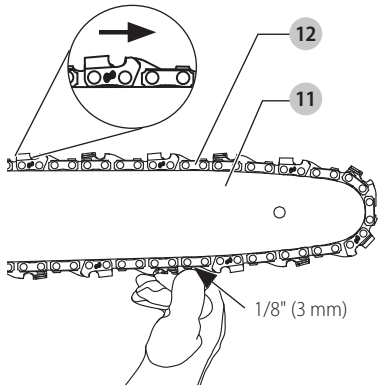


Fig. F

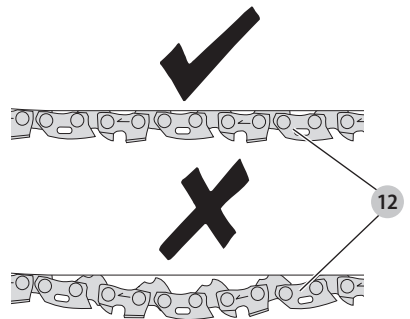


Fig. G

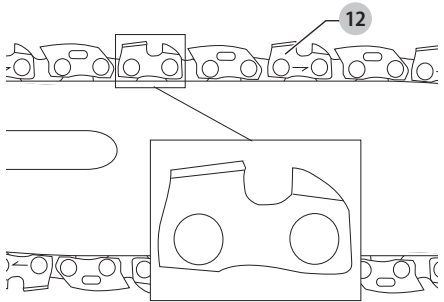


Fig. H

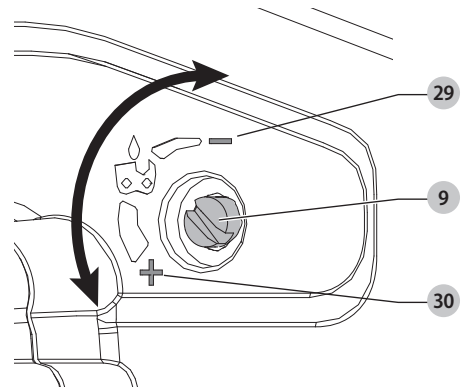


Fig. I

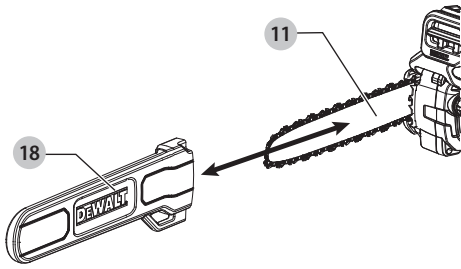


Fig. J

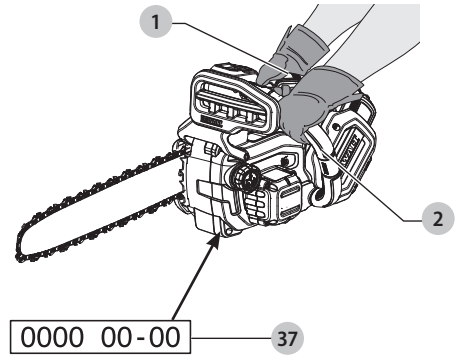


Fig. K

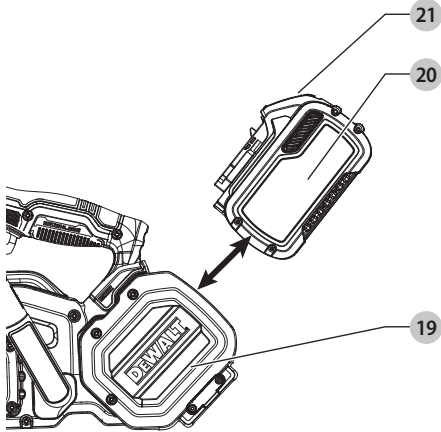


Fig. L

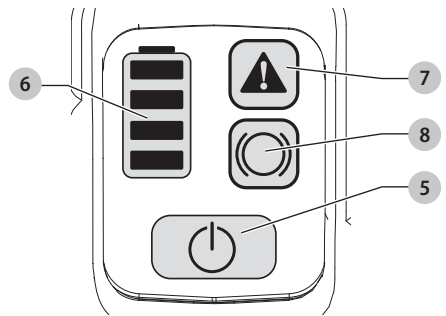


Fig. M

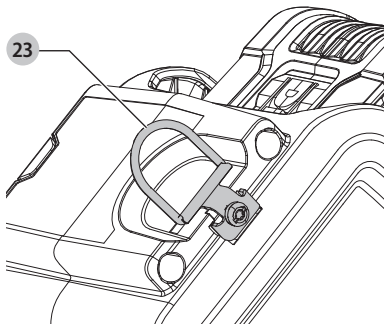


Fig. N

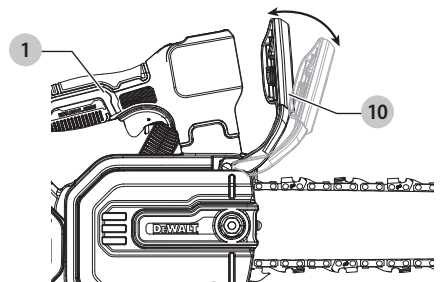


Fig. O

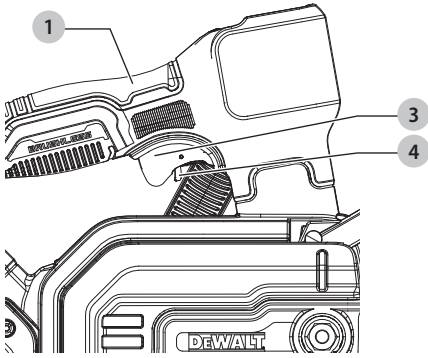


Fig. P

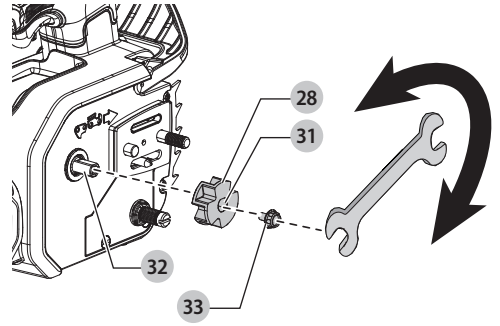


Fig. Q

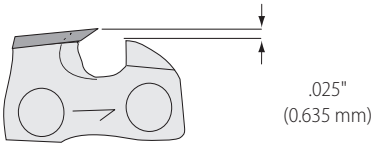


Fig. R

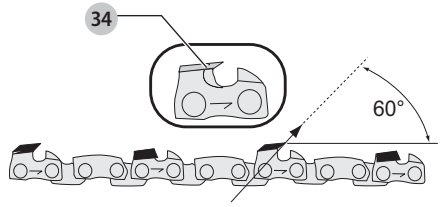


Fig. S

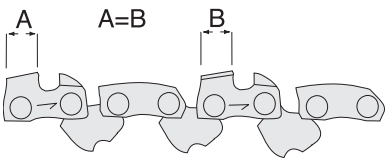


Fig. T

# 54V Top Handle Chain Saw

## DCMCST635

### Congratulations!

You have chosen a DEWALT tool. Years of experience, thorough product development and innovation make DEWALT one of the most reliable partners for professional power tool users.

### Technical Data

		DCMCST635
Voltage	V <sub>bc</sub>	54
Type		1
Battery type		Li-Ion
Chain pitch	inch	.325
Drive link thickness	mm	1.1
Bar Length		
Minimum Length	cm	30
Maximum Length	cm	40
Maximum Chain Speed (no-load)	m/s	23.6
Maximum Cutting Length	cm	30
Oil Capacity	ml	140
Weight (without battery pack)	kg	3.3
Noise values and/or vibration values (triax vector sum) according to EN 62841-4-1:2020:		
L <sub>PA</sub> (emission sound pressure level)	dB(A)	95
L <sub>WA</sub> (sound power level)	dB(A)	103
K (uncertainty for the given sound level)	dB(A)	3
Vibration emission value a <sub>h</sub> =		
	m/s <sup>2</sup>	3.1
Uncertainty K =	m/s <sup>2</sup>	1.5

The vibration and/or noise emission level given in this information sheet has been measured in accordance with a standardised test given in EN62841 and may be used to compare one tool with another. It may be used for a preliminary assessment of exposure.



**WARNING:** The declared vibration and/or noise emission level represents the main applications of the tool. However, if the tool is used for different applications, with different accessories or is poorly maintained, the vibration and/or noise emission may differ. This may significantly increase the exposure level over the total working period.

An estimation of the level of exposure to vibration and/or noise should also take into account the times when the tool is switched off or when it is running but not actually doing the job. This may significantly reduce the exposure level over the total working period.

Identify additional safety measures to protect the operator from the effects of vibration and/or noise such as: maintain the tool and the accessories, keep the hands warm (relevant for vibration), organisation of work patterns.

### EC-Declaration of Conformity Machinery Directive



#### 54V Top Handle Chain Saw DCMCST635

DEWALT declares that these products described under **Technical Data** are in compliance with: 2006/42/EC, EN 62841-1:2015+A11:2022 and partly: EN 62841-4-1:2020, ISO 11681-2:2011 + A1:2017 / ISO 11681-2:2022.

EC type-examination by VDE Prüf- und Zertifizierungsinstitut GmbH Merianstraße 28, 63069 Offenbach, Germany

Notified Body number : 0366

ID number: 40058226

2000/14/EC, item 6, Annex V.

L<sub>WA</sub> (measured sound power level) 105 dB(A)

L<sub>WA</sub> (guaranteed sound power) 107 dB(A)

These products also comply with Directive 2014/30/EU and 2011/65/EU. For more information, please contact DEWALT at the following address or refer to the back of the manual.

The undersigned is responsible for compilation of the technical file and makes this declaration on behalf of DEWALT.

Markus Rompel  
Vice-President Engineering, PTE-Europe  
DEWALT, Richard-Klinger-Straße 11,  
65510, Idstein, Germany  
01.04.2024



**WARNING:** To reduce the risk of injury, read the instruction manual before using this product.

### Definitions: Safety Guidelines

The definitions below describe the level of severity for each signal word. Please read the manual and pay attention to these symbols.



**DANGER:** Indicates an imminently hazardous situation which, if not avoided, **will** result in **death or serious injury**.



**WARNING:** Indicates a potentially hazardous situation which, if not avoided, **could** result in **death or serious injury**.



**CAUTION:** Indicates a potentially hazardous situation which, if not avoided, **may** result in **minor or moderate injury**.

**NOTICE:** Indicates a practice **not related to personal injury** which, if not avoided, **may** result in **property damage**.

Batteries				Chargers/Charge Times (Minutes)**								
Cat #	V <sub>DC</sub>	Ah	Weight (kg)	DCB104	DCB107	DCB112/ DCB1102	DCB113	DCB115/ DCB1104	DCB116	DCB117	DCB118	DCB132
DCB546	18/54	6.0/2.0	1.08	60	270	170	140	90	80	40	60	90
DCB547/G	18/54	9.0/3.0	1.46	75*	420	270	220	135*	110*	60	75*	135*
DCB548	18/54	12.0/4.0	1.46	120	540	350	300	180	150	80	120	180
DCB549	18/54	15.0/5.0	2.12	125	730	450	380	230	170	90	125	230

\*Date code 201811475B or later

\*\*Battery charge times matrix provided for guidance only; charge times will vary depending on temperature and condition of batteries.



Denotes risk of electric shock.



Denotes risk of fire.

## GENERAL POWER TOOL SAFETY WARNINGS



**WARNING:** Read all safety warnings, instructions, illustrations and specifications provided with this power tool. Failure to follow all instructions listed below may result in electric shock, fire and/or serious injury.

### SAVE ALL WARNINGS AND INSTRUCTIONS FOR FUTURE REFERENCE

The term "power tool" in the warnings refers to your mains-operated (corded) power tool or battery-operated (cordless) power tool.

#### Work Area Safety

- Keep work area clean and well lit.** Cluttered or dark areas invite accidents.
- Do not operate power tools in explosive atmospheres, such as in the presence of flammable liquids, gases or dust.** Power tools create sparks which may ignite the dust or fumes.
- Keep children and bystanders away while operating a power tool.** Distractions can cause you to lose control.

#### Electrical Safety

- Power tool plugs must match the outlet. Never modify the plug in any way. Do not use any adapter plugs with earthed (grounded) power tools.** Unmodified plugs and matching outlets will reduce risk of electric shock.
- Avoid body contact with earthed or grounded surfaces, such as pipes, radiators, ranges and refrigerators.** There is an increased risk of electric shock if your body is earthed or grounded.
- Do not expose power tools to rain or wet conditions.** Water entering a power tool will increase the risk of electric shock.
- Do not abuse the cord. Never use the cord for carrying, pulling or unplugging the power tool. Keep cord away from heat, oil, sharp edges or moving parts.** Damaged or entangled cords increase the risk of electric shock.
- When operating a power tool outdoors, use an extension cord suitable for outdoor use.** Use of a cord suitable for outdoor use reduces the risk of electric shock.

- If operating a power tool in a damp location is unavoidable, use a residual current device (RCD) protected supply.** Use of an RCD reduces the risk of electric shock.

#### Personal Safety

- Stay alert, watch what you are doing and use common sense when operating a power tool. Do not use a power tool while you are tired or under the influence of drugs, alcohol or medication.** A moment of inattention while operating power tools may result in serious personal injury.
- Use personal protective equipment. Always wear eye protection.** Protective equipment such as a dust mask, non-skid safety shoes, hard hat or hearing protection used for appropriate conditions will reduce personal injuries.
- Prevent unintentional starting. Ensure the switch is in the off position before connecting to power source and/or battery pack, picking up or carrying the tool.** Carrying power tools with your finger on the switch or energising power tools that have the switch on invites accidents.
- Remove any adjusting key or wrench before turning the power tool on.** A wrench or a key left attached to a rotating part of the power tool may result in personal injury.
- Do not overreach. Keep proper footing and balance at all times.** This enables better control of the power tool in unexpected situations.
- Dress properly. Do not wear loose clothing or jewellery. Keep your hair and clothing away from moving parts.** Loose clothes, jewellery or long hair can be caught in moving parts.
- If devices are provided for the connection of dust extraction and collection facilities, ensure these are connected and properly used.** Use of dust collection can reduce dust-related hazards.
- Do not let familiarity gained from frequent use of tools allow you to become complacent and ignore tool safety principles.** A careless action can cause severe injury within a fraction of a second.

#### Power Tool Use and Care

- Do not force the power tool. Use the correct power tool for your application.** The correct power tool will do the job better and safer at the rate for which it was designed.



- b) **Do not use the power tool if the switch does not turn it on and off.** Any power tool that cannot be controlled with the switch is dangerous and must be repaired.
- c) **Disconnect the plug from the power source and/ or remove the battery pack, if detachable, from the power tool before making any adjustments, changing accessories, or storing power tools.** Such preventive safety measures reduce the risk of starting the power tool accidentally.
- d) **Store idle power tools out of the reach of children and do not allow persons unfamiliar with the power tool or these instructions to operate the power tool.** Power tools are dangerous in the hands of untrained users.
- e) **Maintain power tools and accessories. Check for misalignment or binding of moving parts, breakage of parts and any other condition that may affect the power tool's operation. If damaged, have the power tool repaired before use.** Many accidents are caused by poorly maintained power tools.
- f) **Keep cutting tools sharp and clean.** Properly maintained cutting tools with sharp cutting edges are less likely to bind and are easier to control.
- g) **Use the power tool, accessories and tool bits, etc. in accordance with these instructions, taking into account the working conditions and the work to be performed.** Use of the power tool for operations different from those intended could result in a hazardous situation.
- h) **Keep handles and grasping surfaces dry, clean and free from oil and grease.** Slippery handles and grasping surfaces do not allow for safe handling and control of the tool in unexpected situations.
- g) **Follow all charging instructions and do not charge the battery pack or tool outside the temperature range specified in the instructions.** Charging improperly or at temperatures outside the specified range may damage the battery and increase the risk of fire.

## Service

- a) **Have your power tool serviced by a qualified repair person using only identical replacement parts.** This will ensure that the safety of the power tool is maintained.
- b) **Never service damaged battery packs.** Service of battery packs should only be performed by the manufacturer or authorised service providers.

## General Chain Saw Safety Warnings



**WARNING: Additional safety warnings for chainsaws.**

- a) **Keep all parts of the body away from the saw chain when the chain saw is operating. Before you start the chain saw, make sure the saw chain is not contacting anything.** A moment of inattention while operating chain saws may cause entanglement of your clothing or body with the saw chain.
- b) **Always hold the chain saw with your right hand on the rear handle and your left hand on the front handle.** Holding the chain saw with a reversed hand configuration increases the risk of personal injury and should never be done.
- c) **Hold the chain saw by insulated gripping surfaces only, because the saw chain may contact hidden wiring.** Saw chains contacting a "live" wire may make exposed metal parts of the chain saw "live" and could give the operator an electric shock.
- d) **Wear eye protection. Further protective equipment for hearing, head, hands, legs and feet is recommended.** Adequate protective equipment will reduce personal injury from flying debris or accidental contact with the saw chain.
- e) **Do not operate a chain saw on a ladder, from a rooftop, or any unstable support.** Operation of a chain saw in this manner could result in serious personal injury.
- f) **Always keep proper footing and operate the chain saw only when standing on fixed, secure and level surface.** Slippery or unstable surfaces may cause a loss of balance or control of the chain saw.
- g) **When cutting a limb that is under tension, be alert for spring back.** When the tension in the wood fibers is released, the spring loaded limb may strike the operator and/or throw the chain saw out of control.
- h) **Use extreme caution when cutting brush and saplings.** The slender material may catch the saw chain and be whipped toward you or pull you off balance.
- i) **Carry the chain saw by the front handle with the chain saw switched off and away from your body. When transporting or storing the chain saw always fit the guide bar scabbard.** Proper handling of the chain

## Battery Tool Use and Care

- a) **Recharge only with the charger specified by the manufacturer.** A charger that is suitable for one type of battery pack may create a risk of fire when used with another battery pack.
- b) **Use power tools only with specifically designated battery packs.** Use of any other battery packs may create a risk of injury and fire.
- c) **When battery pack is not in use, keep it away from other metal objects, like paper clips, coins, keys, nails, screws or other small metal objects, that can make a connection from one terminal to another.** Shorting the battery terminals together may cause burns or a fire.
- d) **Under abusive conditions, liquid may be ejected from the battery; avoid contact. If contact accidentally occurs, flush with water. If liquid contacts eyes, additionally seek medical help.** Liquid ejected from the battery may cause irritation or burns.
- e) **Do not use a battery pack or tool that is damaged or modified.** Damaged or modified batteries may exhibit unpredictable behaviour resulting in fire, explosion or risk of injury.
- f) **Do not expose a battery pack or tool to fire or excessive temperature.** Exposure to fire or temperature above 130 °C may cause explosion.

saw will reduce the likelihood of accidental contact with the moving saw chain.

- j) **Follow instructions for lubricating, chain tensioning and changing the bar and chain.** Improperly tensioned or lubricated chain may either break or increase the chance for kickback.
- k) **Cut wood only. Do not use chain saw for purposes not intended. For example: do not use chain saw for cutting plastic, masonry or non-wood building materials.** Use of the chain saw for operations different than intended could result in a hazardous situation.
- l) **This chain saw is not intended for tree felling.** Use of the chain saw for operations different than intended could result in serious injury to the operator or bystanders.
- m) **Follow all instructions when clearing jammed material, storing or servicing the chain saw. Make sure the switch is off and the battery pack is removed.** Unexpected actuation of the chain saw while clearing the jammed material or servicing may result in serious personal injury.

## Causes and Operator Prevention of Kickback:

Kickback may occur when the nose or tip of the guide bar touches an object, or when the wood closes in and pinches the saw chain in the cut.

Tip contact in some cases may cause a sudden reverse reaction, kicking the guide bar up and back towards the operator.

Pinching the saw chain along the top of the guide bar may push the guide bar rapidly back towards the operator.

Either of these reactions may cause you to lose control of the saw which could result in serious personal injury. Do not rely exclusively upon the safety devices built into your saw. As a chain saw user, you should take several steps to keep your cutting jobs free from accident or injury.

Kickback is the result of tool misuse and/or incorrect operating procedures or conditions and can be avoided by taking proper precautions as given below:

- a) **Maintain a firm grip, with thumbs and fingers encircling the chain saw handles, with both hands on the saw and position your body and arm to allow you to resist kickback forces. Kickback forces can be controlled by the operator, if proper precautions are taken.** Do not let go of the chain saw.
- b) **Do not overreach and do not cut above shoulder height.** This helps prevent unintended tip contact and enables better control of the chain saw in unexpected situations.
- c) **Only use replacement bars and chains specified by the manufacturer.** Incorrect replacement bars and chains may cause chain breakage and/or kickback.
- d) **Follow the manufacturer's sharpening and maintenance instructions for the saw chain.** Decreasing the depth gauge height can lead to increased kickback.

## The Following Precautions Should Be Followed to Minimize Kickback:

1. **Grip saw firmly. Hold the chain saw firmly with both hands when the motor is running. Use a firm grip with thumbs and fingers encircling the chain saw handles.**  
Chain saw will pull forward when cutting on the bottom edge of the bar, and push backward when cutting along the top edge of the bar.
2. **Do not over reach.**
3. **Keep proper footing and balance at all times.**
4. **Don't let the nose of the guide bar contact a log, branch, ground or other obstruction.**
5. **Don't cut above shoulder height.**
6. **Use devices such as low kickback chain and reduced kickback guide bars that reduce the risks associated with kickback.**
7. **Only use replacement bars and chains specified by the manufacturer or the equivalent.**
8. **Never let the moving chain contact any object at the tip of the guide bar.**
9. **Keep the working area free from obstructions such as other trees, branches, rocks, fences, stumps, etc.**  
Eliminate or avoid any obstruction that your saw chain could hit while you are cutting through a particular log or branch.
10. **Keep your saw chain sharp and properly tensioned. A loose or dull chain can increase the chance of kickback.**  
Check tension at regular intervals with the motor stopped and tool unplugged, never with the motor running.
11. **Begin and continue cutting only with the chain moving at full speed.** If the chain is moving at a slower speed, there is a greater chance for kickback to occur.
12. **Cut one log at a time.**
13. **Use extreme caution when re-entering a previous cut.**  
Engage bucking spikes into wood and allow chain to reach full speed before proceeding with cut.
14. **Do not attempt plunge cuts or bore cuts.**
15. **Watch for shifting logs or other forces that could close a cut and pinch or fall into chain.**

## Kickback Safety Features



**WARNING:** The following features are included on your saw to help reduce the hazard of kickback; however such features will not totally eliminate this dangerous reaction. As a chain saw user do not rely only on safety devices. You must follow all safety precautions, instructions, and maintenance in this manual to help avoid kickback and other forces which can result in serious injury.

- Reduced-Kickback Guide Bar, designed with a small radius tip which reduces the size of the kickback danger zone on bar tip. A reduced - kickback guide bar is one which has been demonstrated to significantly reduce the number and seriousness of kickbacks when tested in accordance with safety requirements for electric chain saws.
- Low-Kickback Chain, designed with a contoured depth gauge and guard link which deflect kickback force and allow wood to

gradually ride into the cutter. A low-kickback chain is a chain which has met kickback performance requirements of ANSI B175.1–2012.

- Do not operate chain saw while on a ladder, on a scaffold, or from any unstable surface.
- Hold tool by insulated gripping surfaces when performing an operation where the cutting tool may contact hidden wiring. Contact with a "live" wire will make exposed metal parts of the tool "live" and shock the operator.
- Do not attempt operations beyond your capacity or experience. Read thoroughly and understand completely all instructions in this manual.
- Before you start chain saw, make sure saw chain is not contacting any object.
- Do not operate a chain saw with one hand! Serious injury to the operator, helpers, or bystanders may result from one handed operation. A chain saw is intended for two-handed use only.
- Keep the handles dry, clean, and free of oil or grease.
- Do not allow dirt, debris, or sawdust to build up on the motor or outside air vents.
- Stop the chain saw before setting it down.
- Do not cut vines and/or small under brush.
- Use extreme caution when cutting small diameter branches because slender material may catch the saw chain and be whipped toward you or pull you off balance.

## Chainsaw Names and Terms

- **Bucking** - The process of cross cutting a felled tree or log into lengths. (NOT to be done with this chainsaw.)
- **Motor Brake (if equipped)** - A device used to stop the saw chain when the trigger is released.
- **Chainsaw Powerhead** - A chainsaw without the saw chain and guide bar.
- **Drive Sprocket or Sprocket** - The toothed part that drives the saw chain.
- **Felling** - The process of cutting down a tree. (NOT to be done with this chainsaw.)
- **Felling Back Cut** - The final cut in a tree felling operation made on the opposite side of the tree from the notching cut. (NOT to be done with this chainsaw.)
- **Front Handle** - The support handle located at or toward the front of the chainsaw.
- **Front Hand Guard** - A structural barrier between the front handle of a chainsaw and the guide bar, typically located close to the hand position on the front handle.
- **Guide Bar** - A solid railed structure that supports and guides the saw chain.
- **Scabbard/Guide Bar Cover** - Enclosure fitted over guide bar to help prevent tooth contact when saw is not in use.
- **Kickback** - The backward or upward motion, or both of the guide bar occurring when the saw chain near the nose of the top area of the guide bar contacts any object such as a log or

branch, or when the wood closes in and pinches the saw chain in the cut.

- **Kickback, Pinch** - The rapid pushback of the saw which can occur when the wood closes in and pinches the moving saw chain in the cut along the top of the guide bar.
- **Kickback, Rotational** - The rapid upward and backward motion of the saw which can occur when the moving saw chain near the upper portion of the tip of the guide bar contacts an object, such as a log or branch.
- **Limbing** - Removing the branches from a fallen tree. (NOT to be done with this chainsaw.)
- **Low-Kickback Chain** - A chain that complies with the kickback performance requirements of ANSI B175.1–2012 (when tested on a representative sample of chainsaws).
- **Normal Cutting Position** - Those positions assumed in performing the bucking and felling cuts.
- **Notching Undercut** - A notch cut in a tree that directs the tree's fall.
- **Rear Handle** - The support handle located at or toward the rear of the saw.
- **Reduced Kickback Guide Bar** - A guide bar which has been demonstrated to reduce kickback significantly.
- **Replacement Saw Chain** - A chain that complies with kickback performance requirements of ANSI B175.1–2012 when tested with specific chainsaws. It may not meet the ANSI performance requirements when used with other saws.
- **Saw Chain** - A loop of chain having cutting teeth, that cut the wood, and that is driven by the motor and is supported by the guide bar.
- **Bucking Spikes** - The spikes are used, when sawing, to pivot the saw and maintain position while sawing.
- **Switch** - A device that when operated will complete or interrupt an electrical power circuit to the motor of the chainsaw.
- **Switch Linkage** - The mechanism that transmits motion from a trigger to the switch.
- **Switch Lockout** - A movable stop that prevents the unintentional operation of the switch until manually actuated.

## Residual Risks

In spite of the application of the relevant safety regulations and the implementation of safety devices, certain residual risks cannot be avoided. These are:

- Impairment of hearing.
- Risk of personal injury due to flying particles.
- Risk of burns due to accessories becoming hot during operation.
- Risk of personal injury due to prolonged use.

## SAVE THESE INSTRUCTIONS

## Chargers

DeWALT chargers require no adjustment and are designed to be as easy as possible to operate.

## Electrical Safety

The electric motor has been designed for one voltage only. Always check that the battery pack voltage corresponds to the voltage on the rating plate. Also make sure that the voltage of your charger corresponds to that of your mains.



Your DEWALT charger is double insulated in accordance with EN60335; therefore, no earth wire is required.

If the supply cord is damaged, it must be replaced only by DEWALT or an authorised service organisation.

## Mains Plug Replacement (U.K. & Ireland Only)

If a new mains plug needs to be fitted:

- Safely dispose of the old plug.
- Connect the brown lead to the live terminal in the plug.
- Connect the blue lead to the neutral terminal.



**WARNING:** No connection is to be made to the earth terminal.

Follow the fitting instructions supplied with good quality plugs. Recommended fuse: 3 A.

## Using an Extension Cable

An extension cord should not be used unless absolutely necessary. Use an approved extension cable suitable for the power input of your charger (refer to **Technical Data**). The minimum conductor size is 1 mm<sup>2</sup>; the maximum length is 30 m. When using a cable reel, always unwind the cable completely.

## Important Safety Instructions for All Battery Chargers

**SAVE THESE INSTRUCTIONS:** This manual contains important safety and operating instructions for compatible battery chargers (refer to **Technical Data**). Before using charger, read all instructions and cautionary markings on charger, battery pack, and product using battery pack.



**WARNING:** Shock hazard. Do not allow any liquid to get inside charger. Electric shock may result.



**WARNING:** We recommend the use of a residual current device with a residual current rating of 30 mA or less.



**CAUTION:** Burn hazard. To reduce the risk of injury, charge only DEWALT rechargeable batteries. Other types of batteries may burst, causing personal injury and damage.



**CAUTION:** Children should be supervised to ensure that they do not play with the appliance.

**NOTICE:** Under certain conditions, with the charger plugged into the power supply, the exposed charging contacts inside the charger can be shorted by foreign material. Foreign materials of a conductive nature such as, but not limited to, steel wool, aluminum foil or any buildup of metallic particles should be kept away from charger cavities. Always unplug the charger from the power supply when there is no battery pack in the cavity. Unplug charger before attempting to clean.

- **DO NOT attempt to charge the battery pack with any chargers other than the ones in this manual.** The charger and battery pack are specifically designed to work together.

- **These chargers are not intended for any uses other than charging DEWALT rechargeable batteries.** Any other uses may result in risk of fire, electric shock or electrocution.
- **Do not expose charger to rain or snow.**
- **Pull by plug rather than cord when disconnecting charger.** This will reduce risk of damage to electric plug and cord.
- **Make sure that cord is located so that it will not be stepped on, tripped over, or otherwise subjected to damage or stress.**
- **Do not use an extension cord unless it is absolutely necessary.** Use of improper extension cord could result in risk of fire, electric shock, or electrocution.
- **Do not place any object on top of charger or place the charger on a soft surface that might block the ventilation slots and result in excessive internal heat.** Place the charger in a position away from any heat source. The charger is ventilated through slots in the top and the bottom of the housing.
- **Do not operate charger with damaged cord or plug—** have them replaced immediately.
- **Do not operate charger if it has received a sharp blow, been dropped, or otherwise damaged in any way.** Take it to an authorised service centre.
- **Do not disassemble charger; take it to an authorised service centre when service or repair is required.** Incorrect reassembly may result in a risk of electric shock, electrocution or fire.
- **In case of damaged power supply cord, the supply cord must be replaced immediately by the manufacturer, its service agent or similar qualified person to prevent any hazard.**
- **Disconnect the charger from the outlet before attempting any cleaning.** This will reduce the risk of electric shock. Removing the battery pack will not reduce this risk.
- **NEVER attempt to connect two chargers together.**
- **The charger is designed to operate on standard 230V household electrical power. Do not attempt to use it on any other voltage.** This does not apply to the vehicular charger.

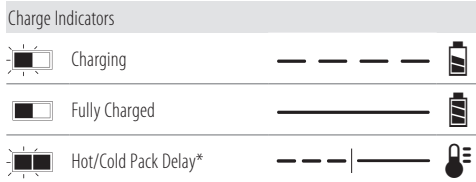
## Charging a Battery (Fig. B)

1. Plug the charger into an appropriate outlet before inserting battery pack.
2. Insert the battery pack **20** into the charger, making sure the battery pack is fully seated in the charger. The red (charging) light will blink repeatedly, indicating that the charging process has started.
3. The completion of charge will be indicated by the red light remaining ON continuously. The battery pack is fully charged and may be used at this time or left in the charger. To remove the battery pack from the charger, push the battery release button **21** on the battery pack.

**NOTE:** To ensure maximum performance and life of lithium-ion battery packs, charge the battery pack fully before first use.

## Charger Operation

Refer to the indicators below for the charge status of the battery pack.



\*The red light will continue to blink, but a yellow indicator light will be illuminated during this operation. Once the battery pack has reached an appropriate temperature, the yellow light will turn off and the charger will resume the charging procedure. The compatible charger(s) will not charge a faulty battery pack. The charger will indicate faulty battery by refusing to light.

**NOTE:** This could also mean a problem with a charger.

If the charger indicates a problem, take the charger and battery pack to be tested at an authorised service centre.

### Hot/Cold Pack Delay

When the charger detects a battery pack that is too hot or too cold, it automatically starts a Hot/Cold Pack Delay, suspending charging until the battery pack has reached an appropriate temperature. The charger then automatically switches to the pack charging mode. This feature ensures maximum battery pack life.

A cold battery pack will charge at a slower rate than a warm battery pack. The battery pack will charge at that slower rate throughout the entire charging cycle and will not return to maximum charge rate even if the battery pack warms.

The DCB118 charger is equipped with an internal fan designed to cool the battery pack. The fan will turn on automatically when the battery pack needs to be cooled. Never operate the charger if the fan does not operate properly or if ventilation slots are blocked. Do not permit foreign objects to enter the interior of the charger.

### Electronic Protection System

XR Li-Ion tools are designed with an Electronic Protection System that will protect the battery pack against overloading, overheating or deep discharge.

The tool will automatically turn off if the Electronic Protection System engages. If this occurs, place the lithium-ion battery pack in the charger until it is fully charged.

### Wall Mounting

These chargers are designed to be wall mountable or to sit upright on a table or work surface. If wall mounting, locate the charger within reach of an electrical outlet, and away from a corner or other obstructions which may impede air flow. Use the back of the charger as a template for the location of the mounting screws on the wall. Mount the charger securely using drywall screws (purchased separately) at least 25.4 mm long with a screw head diameter of 7–9 mm, screwed into wood to an optimal depth leaving approximately 5.5 mm of the screw exposed. Align the slots on the back of the charger with the exposed screws and fully engage them in the slots.

### Charger Cleaning Instructions



**WARNING: Shock hazard. Disconnect the charger from the AC outlet before cleaning.** Dirt and grease may be removed from the exterior of the charger using a

cloth or soft non-metallic brush. Do not use water or any cleaning solutions. Never let any liquid get inside the tool; never immerse any part of the tool into a liquid.

## Battery Packs

### Important Safety Instructions for All Battery Packs

When ordering replacement battery packs, be sure to include catalogue number and voltage.

The battery pack is not fully charged out of the carton. Before using the battery pack and charger, read the safety instructions below. Then follow charging procedures outlined.

#### READ ALL INSTRUCTIONS

- **Do not charge or use battery in explosive atmospheres, such as in the presence of flammable liquids, gases or dust.** Inserting or removing the battery from the charger may ignite the dust or fumes.
- **Never force battery pack into charger. Do not modify battery pack in any way to fit into a non-compatible charger as battery pack may rupture, causing serious personal injury.**
- Charge the battery packs only in DeWALT chargers.
- **DO NOT splash or immerse in water or other liquids.**
- **Do not store or use the tool and battery pack in locations where the temperature may fall below 4 °C (39.2 °F) (such as outside sheds or metal buildings in winter), or reach or exceed 40 °C (104 °F) (such as outside sheds or metal buildings in summer).**
- **Do not incinerate the battery pack even if it is severely damaged or is completely worn out.** The battery pack can explode in a fire. Toxic fumes and materials are created when lithium-ion battery packs are burned.
- **If battery contents come into contact with the skin, immediately wash area with mild soap and water.** If battery liquid gets into the eye, rinse water over the open eye for 15 minutes or until irritation ceases. If medical attention is needed, the battery electrolyte is composed of a mixture of liquid organic carbonates and lithium salts.
- **Contents of opened battery cells may cause respiratory irritation.** Provide fresh air. If symptoms persist, seek medical attention.



**WARNING: Burn hazard.** Battery liquid may be flammable if exposed to spark or flame.



**WARNING: Never attempt to open the battery pack for any reason.** If battery pack case is cracked or damaged, do not insert into charger. Do not crush, drop or damage battery pack. Do not use a battery pack or charger that has received a sharp blow, been dropped, run over or damaged in any way (i.e., pierced with a nail, hit with a hammer, stepped on). Electric shock or electrocution may result. Damaged battery packs should be returned to service centre for recycling.



**WARNING: Fire hazard. Do not store or carry the battery pack so that metal objects can contact exposed battery terminals.** For example, do not place



the battery pack in aprons, pockets, tool boxes, product kit boxes, drawers, etc., with loose nails, screws, keys, etc.



**CAUTION: When not in use, place tool on its side on a stable surface where it will not cause a tripping or falling hazard.** Some tools with large battery packs will stand upright on the battery pack but may be easily knocked over.

**Transportation**



**WARNING: Fire hazard.** Transporting batteries can possibly cause fire if the battery terminals inadvertently come into contact with conductive materials. When transporting batteries, make sure that the battery terminals are protected and well-insulated from materials that could contact them and cause a short circuit. **NOTE:** Lithium-ion batteries should not be put in checked baggage.

DEWALT batteries comply with all applicable shipping regulations as prescribed by industry and legal standards, which include UN Recommendations on the Transport of Dangerous Goods; International Air Transport Association (IATA) Dangerous Goods Regulations; International Maritime Dangerous Goods (IMDG) Regulations; and the European Agreement Concerning The International Carriage of Dangerous Goods by Road (ADR). Lithium-ion cells and batteries have been tested to section 38.3 of the UN Recommendations on the Transport of Dangerous Goods Manual of Tests and Criteria.

In most instances, shipping a DEWALT battery pack will be excepted from being classified as a fully regulated Class 9 Hazardous Material. In general, only shipments containing a lithium-ion battery with an energy rating greater than 100 Watt Hours (Wh) will require being shipped as fully regulated Class 9. All lithium-ion batteries have the Wh rating marked on the pack. Furthermore, due to regulation complexities, DEWALT does not recommend air shipping lithium-ion battery packs alone regardless of Wh rating. Shipments of tools with batteries (combo kits) can be air shipped as excepted if the Wh rating of the battery pack is no greater than 100 Wh.

Regardless of whether a shipment is considered excepted or fully regulated, it is the shipper's responsibility to consult the latest regulations for packaging, labeling/marketing and documentation requirements.

The information provided in this section of the manual is provided in good faith and believed to be accurate at the time the document was created. However, no warranty, expressed or implied, is given. It is the buyer's responsibility to ensure that its activities comply with the applicable regulations.

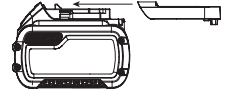
**Transporting the FLEXVOLT™ Battery**

The DEWALT FLEXVOLT® battery has two modes: **Use** and **Transport**.

**Use Mode:** When the FLEXVOLT™ battery stands alone or is in a DEWALT 18V product, it will operate as an 18V battery. When the FLEXVOLT™ battery is in a 54V or a 108V (two 54V batteries) product, it will operate as a 54V battery.

**Transport Mode:** When the cap is attached to the FLEXVOLT™ battery, the battery is in Transport mode. Keep the cap for shipping.

When in Transport mode, strings of cells are electrically disconnected within the pack, resulting in 3 batteries with a lower Watt hour (Wh) rating as compared to 1 battery with a higher Watt hour rating. This increased quantity of 3 batteries with the lower Watt hour rating can exempt the pack from certain shipping regulations that are imposed upon the higher Watt hour batteries.



For example, the Transport Wh rating might indicate 3 x 36 Wh, meaning 3 batteries of 36 Wh each.

Example of Use and Transport Label Marking



The Use Wh rating might indicate 108 Wh (1 battery implied).

**Storage Recommendations**

1. The best storage place is one that is cool and dry away from direct sunlight and excessive heat or cold. For optimum battery performance and life, store battery packs at room temperature when not in use.
2. For long storage, it is recommended to store a fully charged battery pack in a cool, dry place out of the charger for optimal results.

**NOTE:** Battery packs should not be stored completely depleted of charge. The battery pack will need to be recharged before use.

**Labels on Charger and Battery Pack**

In addition to the pictographs used in this manual, the labels on the charger and the battery pack may show the following pictographs:



Read instruction manual before use.



Refer to **Technical Data** for charging time.



Do not probe with conductive objects.



Do not charge damaged battery packs.



Do not expose to water.



Have defective cords replaced immediately.



Charge only between 4 °C and 40 °C.



Only for indoor use.



Discard the battery pack with due care for the environment.



Charge battery packs only with designated DeWALT chargers. Charging battery packs other than the designated DeWALT batteries with a DeWALT charger may make them burst or lead to other dangerous situations.



Do not incinerate the battery pack.



USE (without transport cap). Example: Wh rating indicates 108 Wh (1 battery with 108 Wh).



TRANSPORT (with built-in transport cap). Example: Wh rating indicates 3 x 36 Wh (3 batteries of 36 Wh).

## Battery Type

These battery packs may be used: DCB546, DCB547, DCB547G, DCB548, DCB549. Refer to **Technical Data** for more information.

## Package Contents

The DCMCST635 package contains:

- 1 Chainsaw
- 1 Scabbard
- 1 Bar 35 cm
- 1 Chain 35 cm
- 1 Wrench
- 1 Sharpening file
- 1 Li-Ion battery pack (C1, D1, E1, G1, H1, L1, M1, P1, Q1, S1, T1, U1, X1, Y1, Z1 models)
- 2 Li-Ion battery packs (C2, D2, E2, G2, H2, L2, M2, P2, Q2, S2, T2, U2, X2, Y2, Z2 models)
- 3 Li-Ion battery packs (C3, D3, E3, G3, H3, L3, M3, P3, Q3, S3, T3, U3, X3, Y3, Z3 models)

**NOTE:** Battery packs, chargers and kitboxes are not included with N models. Battery packs and chargers are not included with NT models. B models include Bluetooth® battery packs.

**NOTE:** The Bluetooth® word mark and logos are registered trademarks owned by the Bluetooth®, SIG, Inc. and any use of such marks by DeWALT is under license. Other trademarks and trade names are those of their respective owners.

- Check for damage to the tool, parts or accessories which may have occurred during transport.
- Take the time to thoroughly read and understand this manual prior to operation.

## Markings on Tool

The following pictograms are shown on the tool:



Read instruction manual before use.



Wear eye, ear and head protection.



Wear gloves.



Wear proper foot protection.



Wear protective clothing for legs and forearms.



Do not expose the tool to rain or high humidity or leave outdoors while it is raining.



Contact of the guide bar tip with any object should be avoided.



Rotational direction of the saw chain.



Always use two hands when operating the chainsaw.



Switch the tool off. Before performing any maintenance on the tool, remove the battery from the tool.



Directive 2000/14/EC guaranteed sound power.

## Date Code Position (Fig. J)

The production date code **37** consists of a 4-digit year followed by a 2-digit week and is extended by a 2-digit factory code.

## Description (Fig. A)

**WARNING:** Never modify the power tool or any part of it. Damage or personal injury could result.

- 1 Rear handle
- 2 Front handle
- 3 Variable speed trigger switch
- 4 Lock-off lever
- 5 On/Off button
- 6 State of charge indicator LEDs
- 7 Overload LED
- 8 Chain brake LED
- 9 Oil flow adjust screw
- 10 Chain brake / front hand guard
- 11 Guide bar
- 12 Saw chain
- 13 Sprocket cover
- 14 Bar lock nut
- 15 Chain tensioning screw
- 16 Oil level indicator
- 17 Oil cap
- 18 Guide bar scabbard
- 19 Battery housing
- 20 Battery pack
- 21 Battery release button
- 22 Wrench
- 23 Harness attachment point
- 24 Bucking spikes
- 25 Sharpening file

## Intended Use



**WARNING: Top-handled chainsaws are only meant to be used off the ground, by trained tree service operators, and are not meant for use by non-qualified consumers.**

This special use DCMCST635 chain saw is designed only for in-tree cutting applications, up to 35 cm in diameter when using a 40 cm bar and chain, by trained tree service operators. Operating this chain saw in a tree without proper training could increase the risk of serious personal injury (or death).

This special use chain saw is designed with handles that are close together for improved maneuverability in confined spaces when aloft in trees and should only be used by trained tree service operators that are properly secured by safety harnesses, etc. For other uses such as ground cutting or felling, a standard chain saw with longer spacing between handles which provides greater control should be used.

**DO NOT use this chain saw on the ground or to fell trees.**

**DO NOT** use under wet conditions or in presence of flammable liquids or gases.

**DO NOT** use this chain saw in twilight or darkness.

The DCMCST635 is a professional chain saw.

**DO NOT** let children come into contact with the tool. Supervision is required when inexperienced operators use this tool.

- **Young children and the infirm.** This tool is not intended for use by young children or infirm persons without supervision.
- This product is not intended for use by persons (including children) suffering from diminished physical, sensory or mental abilities; lack of experience, knowledge or skills. Children should never be left alone with this product.

## ASSEMBLY AND ADJUSTMENTS



**WARNING: To reduce the risk of serious personal injury, turn tool off and disconnect battery pack before making any adjustments or removing/installing attachments or accessories. An accidental start-up can cause injury.**



**WARNING: Use only DEWALT batteries and chargers.**

## Inserting and Removing the Battery Pack from the Tool (Fig. B, K)

**NOTE:** Make sure your battery pack **20** is fully charged.

### To Install the Battery Pack into the Tool Handle

1. Align the battery pack with the rails inside the tool's handle (Fig. B).
2. Slide it into the handle until the battery pack is firmly seated in the tool and ensure that you hear the lock snap into place.

### To Remove the Battery Pack from the Tool

1. Press the battery release button **21** and firmly pull the battery pack out of the tool handle.
2. Insert battery pack into the charger.

## Fuel Gauge Battery Packs (Fig. B)

Some DEWALT battery packs include a fuel gauge, which consists of three green LED lights that indicate the level of charge remaining in the battery pack.

To actuate the fuel gauge, press and hold the fuel gauge button **19**. A combination of the three green LED lights will illuminate, designating the level of charge left. When the level of charge in the battery is below the usable limit, the fuel gauge will not illuminate and the battery will need to be recharged.

**NOTE:** The fuel gauge is only an indication of the charge left on the battery pack. It does not indicate tool functionality and is subject to variation based on product components, temperature and end-user application.

## Installing the Guide Bar and Saw Chain (Fig. A, C–G)



**CAUTION: Sharp chain. Always wear protective gloves when handling the chain. The chain is sharp and can cut you when it is not running.**



**WARNING: Sharp moving chain. To prevent accidental operation, ensure that battery is removed from the tool before performing the following operations. Failure to do this could result in serious personal injury.**

If the saw chain **12** and guide bar **11** are packed separately in the carton, the chain has to be attached to the bar, and both must be attached to the body of the tool.

1. Place the saw on a flat, firm surface.
2. Rotate the bar lock nut **14** counterclockwise with the wrench **22** provided.
3. Remove sprocket cover **13**, and bar lock nut **14**.
4. Wearing protective gloves, grasp the saw chain **12** and wrap it around the guide bar **11**, ensuring the teeth are facing the correct direction (Fig. G).
5. Ensure the chain is properly set in the slot around the entire guide bar.
6. Place the saw chain around the sprocket **28**. While lining up the slot on the guide bar with chain tensioning pin **27**, and the bolt **26**, on the base of the tool as shown in Fig. D.
7. Once in place, hold the bar still, replace sprocket cover **13**. Install the rear of the sprocket cover first, rotate it down and make sure the bolt hole on the cover lines up with the bolt **26**, on the main housing.
8. Install the bar lock nut **14** and rotate clockwise with the wrench **22** provided until snug, then loosen nut one full turn, so that the saw chain can be properly tensioned.
9. Rotate the chain tensioning screw **15** clockwise to increase tension as shown in Fig. D. Make sure the saw chain **12** is snug around the guide bar **11**. Tighten the bar lock nut **14** until snug.
10. Follow the instructions in the section **Adjusting Chain Tension**.

## Adjusting Chain Tension (Fig. A, C–H)




**WARNING: Incorrect saw chain tension can cause the saw chain to come off of the guide bar and could cause serious injury or death.**


**NOTE:** Saw chain tension should be adjusted regularly before each use.



1. With the saw still on a firm surface check the saw chain **12** tension. The tension is correct when the saw chain snaps back after being pulled 1/8" (3 mm) away from the guide bar **11** with light force from the middle finger and thumb as shown in Fig. E. There should be no "sag" between the guide bar and the saw chain on the underside as shown in Fig. F.
2. To adjust saw chain tension, loosen bar lock nut **14**.
3. Rotate the chain tension screw **15** in the front of the housing using the flat screwdriver end of the wrench **22**.
4. Check saw chain tension, adjust if needed.
5. Do not over-tension the saw chain as this will lead to excessive wear and will reduce the life of the guide bar and saw chain.
6. Once saw chain tension is correct, tighten bar lock nut **14** until snug. Torque the bar lock nut **14** to 6 ft-lbs (8 Nm)
7. A new chain stretches slightly during the first few hours of use. It is important to check the tension frequently (after disconnecting battery, remove the battery pack) during the first two hours of use.

## Replacing the Saw Chain (Fig. A, C–G)

 **CAUTION:** Sharp chain. Always wear protective gloves when handling the chain. The chain is sharp and can cut you when it is not running.

 **WARNING:** Sharp moving chain. To prevent accidental operation, ensure the battery is removed from the tool before performing the following operations. Failure to do this could result in serious personal injury.

1. To remove the saw chain **12**, place the saw on a flat, firm surface.
2. Remove sprocket cover **13** as described in *Installing the Guide Bar and Saw Chain* section.
3. Rotate the chain tension screw **15** using the flat screwdriver end of the wrench **22**. Turning the screw counterclockwise allows the guide bar **11** to recede and reduces the tension on the chain so that it may be removed.
4. Wearing protective gloves, grasp the saw chain and lift the worn saw chain out of the groove in the guide bar.
5. Flip guide bar over every time you replace the chain to ensure even wear.
6. Place the new chain in the slot of the guide bar, making sure the saw teeth are facing the correct direction by matching the arrow and graphic of the saw chain on the sprocket cover **13** as shown in Fig. G.
7. Follow instructions for *Installing the Guide Bar and Saw Chain*.

## Replacement chains and bars are available from your nearest authorised service center.

The DCMCST635 chainsaw is supplied with a .325 pitch, 7-tooth sprocket **28** (NA265339) and the following bar and chain:

SAW CHAIN	GUIDE BAR
35 cm DT20692	35 cm DT20691

The DCMCST635 chainsaw is compatible with the following DEWALT accessories when using the supplied 0.325" pitch, 7-tooth sprocket **28** (NA265339):

SAW CHAIN	GUIDE BAR
30 cm DZ06530	30 cm DZ06430
35 cm DT20692	35 cm DT20691
40 cm DZ06540	40 cm DZ06440

The DCMCST635 chainsaw is also compatible with the following DEWALT accessories when using the 3/8" pitch, 6-tooth sprocket (90585879):

SAW CHAIN	GUIDE BAR AND CHAIN
30 cm DT20676	30 cm DT20665
40 cm DT20663	40 cm DT20660

## Adjusting the Guide Bar Oil Flow (Fig. A, H)

This DCMCST635 is equipped with an adjustable oiling system. The flow of saw chain and guide bar lubrication can be set for different types of wood and cutting techniques. The saw chain and guide bar lubrication feed rate is suitable for most applications when the oil flow adjust screw **9** is positioned in between the maximum **30** and minimum **29** positions.

### To reduce the flow:

1. Using the screwdriver end of the wrench **22**, twist the oil flow adjust screw **9** clockwise towards the minimum **29** position.

### To increase the flow:

1. Using the screwdriver end of the wrench **22**, twist the oil flow adjust screw **9** counterclockwise maximum **30** position.

## Saw Chain and Guide Bar Oiling (Fig. A, H)

### Auto Oiling System

This chain saw is equipped with an auto oiling system that keeps the saw chain and guide bar constantly lubricated.

1. The oil level indicator **16** shows the level of the oil in the chain saw. If the oil level is less than a quarter full, remove the battery from the chain saw and refill the oil tank with the correct type of oil.
2. Always empty oil tank when finished cutting.
3. Always empty oil tank before storing this unit.

**NOTE:** Do not operate this chain saw without oil.

**NOTE:** Always use DEWALT bar and chain oil, which has been designed for optimal performance. Other lubricants could clog or damage the dispenser. Always use a high-quality, biodegradable bar and chain oil for proper saw chain and bar lubrication. When pruning trees, vegetable-based bar and chain oil is recommended, as mineral-based oils may harm living trees. Never use dirty, used, or contaminated oil. Doing so may damage the tool.

### Filling the Oil Reservoir

1. Unscrew counterclockwise and then remove the oil cap **17**. Fill the reservoir with the recommended bar and chain oil until the oil level has reached the top of the oil level indicator **16**.

2. Refit the oil cap and tighten clockwise.
3. Periodically switch the chain saw off and check the oil level indicator to ensure the bar and chain are being properly oiled.

## Transporting Chain Saw (Fig. A, I)

- Always remove the battery from the tool and cover the guide bar **11** with the scabbard **18** when transporting the saw.

## OPERATION

### Instructions for Use



**WARNING:** Always observe the safety instructions and applicable regulations.



**WARNING:** To reduce the risk of serious personal injury, turn tool off and disconnect battery pack before making any adjustments or removing/installing attachments or accessories. An accidental start-up can cause injury.

### Proper Hand Position (Fig. A, J)



**WARNING:** To reduce the risk of serious personal injury, ALWAYS use proper hand position as shown.



**WARNING:** To reduce the risk of serious personal injury, ALWAYS hold securely in anticipation of a sudden reaction.



**DANGER:** Never use the chain saw with only one hand. It is more difficult to control reactive forces.

Proper hand position requires the left hand on the front handle **2**, with the right hand on the rear handle **1**.

### State of Charge Indicator (Fig. A, L)

The DCMCST635 is equipped with a state of charge indicator. This will display the current level of charge in the battery during use. It does not indicate tool functionality and is subject to variation based on product components, temperature and end-user application.

- The state of charge indicator LEDs **6** will illuminate, indicating the percent of charge in the battery.
- When all four state of charge indicator LEDs **6** illuminate, the battery is fully charged.
- When one state of charge indicator LEDs **6** illuminates, charge is low and then it will flash when the battery is discharged. Remove the battery and charge it.

### State of Charge Indicator LED Status

	LEVEL OF CHARGE	CHARGE INDICATOR LED COLOR
	100% - 75%	White
	50% - 75%	White
	20% - 50%	White
	≤20%	White
	Low battery shutdown	White and blinking.
	Battery too hot	All four, red and blinking.

### Overloaded Battery Warning (Fig. A, L)

All four state of charge indicator LEDs **6** will illuminate red and then blink when the battery has reached a high temperature. To clear the overloaded battery warning, allow the battery to cool down then restart the saw and begin your cut again, this time with less force. Allow the saw to cut at its own pace.

### Chain Brake LED (Fig. A, L)

The DCMCST635 has a chain brake LED **8**. The chain brake LED **8** will illuminate red when the chain brake/front hand guard **10** is engaged. The chain brake LED **8** will not be illuminated when the chain brake/front hand guard **10** is in the "set" position.

### Overload LED (Fig. A, L)

The DCMCST635 has an overload LED **7**. The overload LED **7** will illuminate amber and then blink when the motor or module is overloaded during operation. To clear the overload LED **7**, restart the saw and begin your cut again, this time with less force. Allow the saw to cut at its own pace.

The overload LED **7** will illuminate red and then blink when the module has reached a high temperature. To clear the overload LED **7**, allow the chainsaw to cool down then restart the saw and begin your cut again, this time with less force. Allow the saw to cut at its own pace.

### Harness Attachment Point (Fig. M)



**WARNING:** To reduce the risk of injury from the tool falling on operators or bystanders, make sure it is supported securely when using the harness attachment point, or resting in a secure and stable location when not in use. Be sure to keep the area below clear to reduce the risk of the tool falling and striking someone or something below it.



**WARNING:** Before use, inspect the harness attachment point for damage. If damaged do not use, contact a DEWALT service centre.

The DCMCST635 has a convenient harness attachment point **23** that allows it to hang while not in use when an appropriate harness is connected. Ensure you follow the harness manufacturer's instructions.


### Operating the Chain Saw (Fig. A, J)




**WARNING:** Read and understand all instructions. Failure to follow all instructions listed below may result in electric shock, fire and/or serious personal injury.


- Guard Against Kickback which can result in severe injury or death. See **General Power Tool Safety Warnings and General Chain Saw Safety Warnings, and Causes and Operator Prevention of Kickback and Kickback Safety Features**, to avoid the risk of kickback.
- Do not overreach. Do not cut above chest height. Make sure your footing is firm. Keep feet apart. Divide your weight evenly on both feet.


- Use a firm grip with your left hand on the front handle **2** and your right hand on the rear handle **1** so that your body is to the left of the guide bar.
- Do not hold chain saw by chain brake/front hand guard **10**. Keep elbow of left arm locked so that left arm is straight to withstand a kickback.

 **WARNING:** Never use a cross-handed grip (left hand on the rear handle and right hand on the front handle).

 **WARNING:** Never allow any part of your body to be in line with the guide bar when operating the chain saw.

- Never operate while in any awkward position or on a ladder or other unstable surface. You may lose control of saw causing severe injury.
- Keep the chain saw running at full speed the entire time you are cutting.
- Allow the saw chain to cut for you. Exert only light pressure. Do not put pressure on chainsaw at end of cut.

 **WARNING:** When not in use always have the chain brake engaged and battery removed.


 **CAUTION:** Maximum saw chain speed is 23.6 m/s.

## Setting the Chain Brake (Fig. N)

Your chainsaw is equipped with a chain braking system which will stop the chain quickly in case of kickback.

1. To engage the chain brake, push the chain brake/front hand guard **10** forward until it clicks into place.
2. Pull the chain brake/front hand guard **10** towards the front handle **2** into the "set" position as shown in Fig. N.
3. The tool is now ready to use.

## Testing the Chain Brake (Fig. A, N)

 **WARNING:** Make sure to set chain brake before cutting.

Test the chain brake before every use to make sure it operates correctly.

1. Place the tool on a flat, firm surface. Make sure the saw chain **12** is clear of the ground.
2. Grip the tool firmly with both hands and turn the chain saw on.
3. Rotate your left hand forward around the front handle **2** so the back of your hand comes in contact with the chain brake/front hand guard **10** and push it forward, toward the workpiece. The saw chain should stop immediately.

**NOTE:** If saw does not stop immediately, stop use of tool and bring it to an authorized service center nearest you.

## Starting the Chain Saw (Fig. A, O)

 **WARNING:** Never attempt to lock a switch in the ON position.

Always be sure of your footing and grip the chain saw firmly with both hands with the thumb and fingers encircling both handles.

1. Ensure a fully charged battery pack **20** is installed.
2. Engage the chain brake. Push the chain brake/front hand guard **10** forward until it clicks into place.
3. To turn the unit on, push the On/Off button **5**.

**NOTE:** The unit will power off after 60 seconds if the trigger


switch has not been activated. You will need to press the On/Off button **5** again.


4. Pull the chain brake/front hand guard **10** towards the front handle **2**.
5. Flip the lock-off lever **4** forward, and squeeze the trigger switch **3**.
6. Once the unit is running, you may release the lock-off lever **4**.
7. In order to keep the unit running you must continue to squeeze the trigger.
8. To stop the saw chain between cuts, release the trigger.


**NOTE:** The unit will power off if the trigger switch has not been activated within 60 seconds. You will need to repeat steps 2 through 5 to start the unit.


**NOTE:** If too much force is applied while making a cut the saw will stop and the overload LED **7** will illuminate. To restart saw, you must release the trigger switch **3** before the saw will restart. Begin your cut again this time with less force. Allow the saw to cut at its own pace.

## Common Cutting Techniques


 This DCMCST635 chainsaw is not intended to be used on the ground, therefore this manual does not contain instructions for felling trees, limbing and bucking trees. For instructions on these techniques when using other DEWALT chainsaws refer to the instruction manuals for those DEWALT chainsaws. For a copy of those DEWALT chainsaw instruction manuals please contact DEWALT or visit an authorised DEWALT service centre.


 **WARNING:** These in-tree instructions apply to DEWALT top-handle chainsaws, designed exclusively for in-tree cutting applications by trained tree service operators.


 **WARNING:** Blocking can result in injury. It should only be performed by a trained person.

 **WARNING:** Recommended that first time users should be trained sufficiently before using.

 **WARNING:** Do not work in trees with high wind conditions.

 **WARNING:** Ensure all bystanders are clear of the fall area before starting operation.

 **WARNING:** Always keep yourself and your equipment clear of the material being removed.

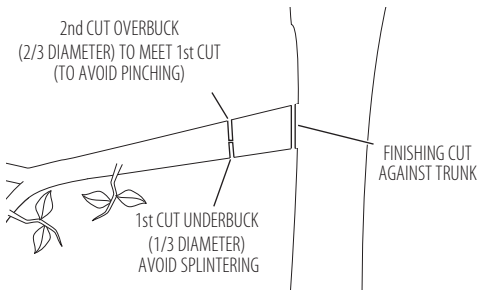
 **CAUTION:** Be sure battery is fully charged before working in a tree.

## Pruning

1. Make the first cut from the under of the limb, underbuck (1/3 diameter) to avoid splintering as shown below.
2. Then make the second cut from the top of the limb, overbuck (2/3 diameter), to meet 1st cut as shown below.

**NOTE:** The limb will fall, ensure you are clear of it before completing the cut.

3. Make the finishing cut, flush against the main trunk as shown below.



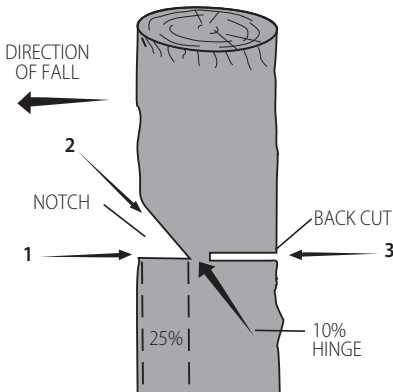
## Blocking

### Removing sections from a standing tree

Before blocking is started have wedges (wood, plastic or aluminum) and a heavy mallet handy. Remove loose bark, nails, staples, and wire from the tree where the blocking cuts are to be made.

### Conventional Notch

- **Notching Undercut** - Cut the notch 25% of the diameter of the tree block, perpendicular to the direction of the fall. Make the lower horizontal notching cut first as shown below. This will help to avoid pinching of either the saw chain or the guide bar when the second notch cut is being made. Consider conditions such as wind, tree lean, slope of the ground that could affect the direction of fall.
- **Back Cut** - Cut the back cut at the same level as the first horizontal notching cut. Keep the back cut parallel to the horizontal notching cut as shown below. Make the back cut so approximately 10% of the tree block remains to act as a hinge as shown below. The hinge wood keeps the tree block from falling in the wrong direction. Do not cut through the hinge.
- As the felling cut gets close to the hinge the tree block should begin to fall. If there is any chance that the tree block may not fall in the desired direction or it may rock back and bind the guide bar, stop cutting before the felling cut is complete and use wedges to open the cut and drop the tree block along the desired line of fall. When the tree block begins to fall remove the chain saw from the cut, release the trigger switch and activate the chain brake.



## MAINTENANCE

Your power tool has been designed to operate over a long period of time with a minimum of maintenance. Continuous satisfactory operation depends upon proper tool care and regular cleaning.

**WARNING:** To reduce the risk of serious personal injury, turn tool off and disconnect battery pack before making any adjustments or removing/installing attachments or accessories. An accidental start-up can cause injury.

The charger and battery pack are not serviceable.

## Saw Chain and Guide Bar

After every few hours of use, remove the sprocket cover, guide bar and chain and clean thoroughly using a soft bristle brush. Ensure oiling hole on bar is clear of debris. When replacing dull chains with sharp chains it is good practice to flip the chain bar from bottom to top.

## Sprocket and Sprocket Cover (Fig. A, C-G)


**CAUTION:** Sharp chain. Always wear protective gloves when handling the chain. The chain is sharp and can cut you when it is not running.


**WARNING:** Sharp moving chain. To prevent accidental operation, ensure the battery is removed from the tool before performing the following operations. Failure to do this could result in serious personal injury.

1. Place the saw on a flat, firm surface.
2. Remove sprocket cover **13** as described in **Installing the Guide Bar and Saw Chain** section.
3. Wearing protective gloves, use a clean, soft bristle brush to wipe away any saw dust, sticks, vines or other debris that may have collected inside the sprocket cover **13** and around the saw chain **12** or sprocket **28**.
4. Rotate the chain tension screw **15** using the flat screwdriver end of the wrench **22**. Turning the screw counterclockwise allows the guide bar **11** to recede and reduces the tension on the chain so that it may be removed.
5. Wearing protective gloves, grasp the saw chain and guide bar and lift them away from the tool.
6. Wearing protective gloves, use a clean, soft bristle brush to wipe away any saw dust or other debris that may have collected on the guide bar **11** and around the saw chain **12**.
7. Install the chain, guide bar and sprocket cover **13** as described in **Installing the Guide Bar and Saw Chain, Replacing the Saw Chain** sections and adjust chain tension properly before use as described in the **Adjusting Chain Tension** section.

## Removing and Installing the Sprocket

### (Fig. D, P)

 **CAUTION:** Sharp chain. Always wear protective gloves when handling the chain. The chain is sharp and can cut you when it is not running.


 **WARNING:** Sharp moving chain. To prevent accidental operation, ensure the battery is removed from the tool before performing the following operations. Failure to do this could result in serious personal injury.


Replacement sprockets are available from your nearest authorised DEWALT service centre: NA265339.


**NOTE:** The sprocket bolt **33** is left-hand thread.

- Engage the chain brake. Push the chain brake/front hand guard **10** forward until it clicks into place.
- Remove sprocket cover **13** as described in *Installing the Guide Bar and Saw Chain* section.
- Remove saw chain **12** and guide bar **11** as described in *Replacing the Saw Chain* section.
- Hold the sprocket **28** in place with a pair of adjustable pliers (not included).
- With a 10 mm wrench (not included) rotate the left-hand thread sprocket bolt **33** clockwise and remove it.
- Lift the sprocket **28** off of the D-shaped shaft **32**.
- Clean the sprocket **28** of any debris or replace it with a new sprocket **28**.
- Align the D-slot **31** on the sprocket **28** with the D-shaped shaft **32** and install the sprocket **28**.
- Hold the sprocket **28** in place with a pair of adjustable pliers. Use a 10 mm wrench (not included) to rotate the left-hand thread sprocket bolt **33** counterclockwise.
- Using a torque wrench, tighten the sprocket bolt **33** to 6 ft.lbs (8N.m).
- Follow instructions for *Installing the Guide Bar and Saw Chain*.

## Saw Chain Sharpening (Fig. Q–S)

 **CAUTION:** Sharp chain. Always wear protective gloves when handling the chain. The chain is sharp and can cut you when it is not running.

 **WARNING:** Sharp moving chain. To prevent accidental operation, ensure that battery is removed from the tool before performing the following operations. Failure to do this could result in serious personal injury.

 **WARNING:** Do not over file chain rakers, this will increase the risk of kickback. If the chain has been sharpened more than four times, replace it.

Each time the chain is sharpened, it loses some of the low kickback qualities and extra caution should be used.

It is recommended that a saw chain be sharpened no more than four times.


**NOTE:** The cutters will dull immediately if they touch the ground/dirt or a nail while cutting.

To get the best possible performance from your chainsaw it is important to keep the teeth of the saw chain sharp. Follow these helpful tips for proper saw chain sharpening:

- For best results use a 5/32" (4 mm) file and a file holder or filing guide to sharpen your saw chain. This will ensure you always get the correct sharpening angles.
- Place the file holder flat on the top plate and depth gauge of the cutter.
- Keep the correct top plate **34** filing angle line of 30° on your file guide parallel with your chain (file at 60° from chain viewed from the side) as shown in Fig. R.
- Sharpen cutters on one side of the chain first. File from the inside of each cutter to the outside. Then turn your saw around and repeat the processes (2, 3, 4) for cutters on the other side of the chain.

**NOTE:** Use a flat file to file the tops of the rakers (portion of chain link in front of the cutter) so they are about .025" (.635 mm) below the tips of the cutters as shown in Fig. Q.


- Keep all cutter lengths equal as shown in Fig. S.
- If damage is present on the chrome surface of the top plates or side plates, file back until such damage is removed.

 **CAUTION:** After filing, the cutter will be sharp, use extra caution during this process.


## Lubrication

Your power tool requires no additional lubrication.

## Cleaning


 **WARNING:** Electrical shock and mechanical hazard. Disconnect the electrical appliance from the power source before cleaning.

 **WARNING:** To ensure safe and efficient operation, always keep the electrical appliance and the ventilation slots clean.

 **WARNING:** Never use solvents or other harsh chemicals for cleaning the non-metallic parts of the tool. These chemicals may weaken the materials used in these parts. Use a cloth dampened only with water and mild soap. Never let any liquid get inside the tool; never immerse any part of the tool into a liquid.

Ventilation slots can be cleaned using a dry, soft non-metallic brush and/or a suitable vacuum cleaner. Do not use water or any cleaning solutions. Wear approved eye protection and an approved dust mask.

## Optional Accessories

 **WARNING:** Since accessories, other than those offered by DEWALT, have not been tested with this product, use of such accessories with this tool could be hazardous. To reduce the risk of injury, only DEWALT-recommended accessories should be used with this product.

Consult your dealer for further information on the appropriate accessories.

## Protecting the Environment



Separate collection. Products and batteries marked with this symbol must not be disposed of with normal household waste.

Products and batteries contain materials that can be recovered or recycled, reducing the demand for raw materials. Please recycle electrical products and batteries according to local provisions. Further information is available at [www.2helpU.com](http://www.2helpU.com).

## Rechargeable Battery Pack

This long-life battery pack must be recharged when it fails to produce sufficient power on jobs that were easily done before. At the end of its technical life, discard it with due care for our environment:

- Run the battery pack down completely, then remove it from the tool.
- Li-Ion cells are recyclable. Take them to your dealer or a local recycling station. The collected battery packs will be recycled or disposed of properly.

## DCMCST635 TROUBLESHOOTING

Problem	Solution
Unit will not start.	<p>Check battery installation.</p> <p>Check battery charging requirements.</p> <p>Press the On/Off button before squeezing the lock-off lever and trigger switch.</p> <p>Check that chain brake is disengaged.</p> <p>Disengage the chain brake/front hand guard. Pull the chain brake/front hand guard towards the front handle into the "set" position as shown in Fig. N. Restart the unit.</p> <p>Check that lock-off lever is fully pushed forward prior to moving trigger switch.</p>
Unit shuts down in use.	<p>Charge battery.</p> <p>Unit is being forced. Restart and apply less pressure.</p>
Battery won't charge.	<p>Insert battery into charger until red charging light illuminates. Charge up to 8 hours if battery is totally drained.</p> <p>Plug charger into a working outlet. Refer to <b>Important Charging Notes</b> for more details.</p> <p>Check current at receptacle by plugging in a different appliance.</p> <p>Check to see if receptacle is connected to a light switch which turns power off when you turn out the lights.</p> <p>Move charger and appliance to a surrounding air temperature of above 4.5 °C (40 °F) or below 40.5 °C (104 °F).</p>
Bar / Chain overheated.	<p>Refer to <b>Adjusting Chain Tension</b> section.</p> <p>Refer to <b>Chain Oiling</b> section.</p>
Chain is loose.	Refer to <b>Adjusting Chain Tension</b> section.
Poor cut quality.	<p>Refer to <b>Adjusting Chain Tension</b> section.</p> <p><b>NOTE:</b> Excessive tension leads to excessive wear and reduction in life of bar and chain. Lubricate before each cut. Refer to <b>Replacing the Saw Chain section</b>.</p>
Unit runs but does not cut.	Chain could be installed backwards. Refer to sections for <b>Installing and Removing Chain</b> .
Unit does not oil.	<p>Refill oil reservoir.</p> <p>Clean guide bar, sprocket and sprocket cover. Refer to <b>Care And Maintenance</b> section.</p>

## LED Indicator Guide

The section provides a list of possible LED blink patterns, the causes and corrective solutions. The user or maintenance personnel can perform some corrective actions, while others may require the assistance of a qualified DeWALT technician or an authorised DeWALT service centre.

### Overload LED



#### ORANGE LED

Problem	Solution
Unit stopped working.	Unit is being forced. Restart and apply less pressure. If problem continues, contact an authorised DeWALT service centre.



#### RED LED

Problem	Solution
Unit module is too hot.	Unit is being forced. Let the unit rest and cool down. Restart and apply less pressure. If problem continues, contact an authorised DeWALT service centre.

### Chain Brake LED



#### RED LED

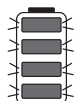
Problem	Solution
Unit will not start.	Disengage the chain brake/front hand guard. Pull the chain brake/front hand guard towards the front handle into the "set" position as shown in Fig. N. Restart the unit. If problem continues, contact an authorised DeWALT service centre.

## State of Charge Indicator LEDs



### BLINKING WHITE LEDs

Problem	Solution
Battery pack is depleted.	Remove and replace the battery pack. If problem continues, contact an authorised DeWALT service centre.



### BLINKING RED LEDs

Problem	Solution
Battery is too hot..	Unit is being forced. Let the unit rest and cool down. Restart and apply less pressure. Remove and replace the battery pack. Restart and apply less pressure. If problem continues, contact an authorised DeWALT service centre.



<b>Belgique et Luxembourg België en Luxemburg</b>	DEWALT - Belgium BVBA Egide Walschaertsstraat 16 2800 Mechelen	Tel: NL 32 15 47 37 63 Tel: FR 32 15 47 37 64 Fax: 32 15 47 37 99	<a href="http://www.dewalt.be">www.dewalt.be</a> <a href="mailto:enderuser.BE@sbdinc.com">enderuser.BE@sbdinc.com</a>
<b>Danmark</b>	DEWALT (Stanley Black&Decker AS) Roskildevej 22 2620 Albertslund	Tel: 70 20 15 10 Fax: 70 22 49 10	<a href="http://www.dewalt.dk">www.dewalt.dk</a> <a href="mailto:kundeservice.dk@sbdinc.com">kundeservice.dk@sbdinc.com</a>
<b>Deutschland</b>	DEWALT Richard-Klinger-Str. 11 65510 Idstein	Tel: 06126-21-0 Fax: 06126-21-2770	<a href="http://www.dewalt.de">www.dewalt.de</a> <a href="mailto:infodwge@sbdinc.com">infodwge@sbdinc.com</a>
<b>Ελλάς</b>	DEWALT (Ελλάς) Α.Ε. ΕΑΡΑ-ΓΡΑΦΕΙΑ : Στραβωνος 7 & Α. Βουλιαμενης, Γλυφάδα 166 74, Αθήνα SERVICE : Ημερος Τόπος 2 (Χάνι Αδών) — 193 00 Ασπρόπυργος	Τηλ: 00302108981616 Φαξ: 00302108983570	<a href="http://www.dewalt.gr">www.dewalt.gr</a> <a href="mailto:support@dewalt.gr">support@dewalt.gr</a>
<b>España</b>	DEWALT Ibérica, S.C.A. Parc de Negocios "Mas Blau" Edificio Muntadas, c/Bergadá, 1, Of. A6 08820 El Prat de Llobregat (Barcelona)	Tel: 934 797 400 Fax: 934 797 419	<a href="http://www.dewalt.es">www.dewalt.es</a> <a href="mailto:respuesta.postventa@sbdinc.com">respuesta.postventa@sbdinc.com</a>
<b>France</b>	DEWALT (Stanley Black & Decker France SAS) 62 Chemin de la Bruyère 69570 Dardilly, France	Tel: 04 72 20 39 20 Fax: 04 72 20 39 00	<a href="http://www.dewalt.fr">www.dewalt.fr</a> <a href="mailto:scufr@sbdinc.com">scufr@sbdinc.com</a>
<b>Schweiz Suisse Svizzera</b>	DEWALT In der Luberzen 42 8902 Udorf	Tel: 044 - 755 60 70 Fax: 044 - 730 70 67	<a href="http://www.dewalt.ch">www.dewalt.ch</a> <a href="mailto:service@rofoag.ch">service@rofoag.ch</a>
<b>Ireland</b>	DEWALT Building 4500, Kinsale Road Cork Airport Business Park Cork, Ireland	Tel: 00353-2781800 Fax: 01278 1811	<a href="http://www.dewalt.ie">www.dewalt.ie</a> <a href="mailto:Sales.ireland@sbdinc.com">Sales.ireland@sbdinc.com</a>
<b>Italia</b>	DEWALT via Energypark 6 20871 Vimercate (MB), IT	Tel: 800-014353 39 039-9590200 Fax: 39 039-9590311	<a href="http://www.dewalt.it">www.dewalt.it</a>
<b>Nederlands</b>	DEWALT Netherlands BV Postbus 83, 6120 AB BORN	Tel: 31 164 283 063 Fax: 31 164 283 200	<a href="http://www.dewalt.nl">www.dewalt.nl</a>
<b>Norge</b>	DEWALT Postboks 4613 0405 Oslo, Norge	Tel: 45 25 13 00 Fax: 45 25 08 00	<a href="http://www.dewalt.no">www.dewalt.no</a> <a href="mailto:kundeservice.no@sbdinc.com">kundeservice.no@sbdinc.com</a>
<b>Österreich</b>	DEWALT Werkzeug Vertriebsges m.b.H Oberlaaerstrasse 248, A-1230 Wien	Tel: 01 - 66116 - 0 Fax: 01 - 66116 - 614	<a href="http://www.dewalt.at">www.dewalt.at</a> <a href="mailto:service.austria@sbdinc.com">service.austria@sbdinc.com</a>
<b>Portugal</b>	DEWALT Ed. D Dinis, Quina da Fonte Rua dos Malhoes 2 2A 2º Esq. Oeiras e S. Juliao da Barra, paço de Arcos e Caxias 2770 071 Paço de Arcos	Tel: +351 214667500 Fax: +351214667580	<a href="http://www.dewalt.pt">www.dewalt.pt</a> <a href="mailto:resposta.posvenda@sbdinc.com">resposta.posvenda@sbdinc.com</a>
<b>Suomi</b>	DEWALT PL47 00521 Helsinki, Suomi	Puh: 010 400 4333 Faksi: 0800 411 340	<a href="http://www.dewalt.fi">www.dewalt.fi</a> <a href="mailto:asiakaspalvelu.fi@sbdinc.com">asiakaspalvelu.fi@sbdinc.com</a>
<b>Sverige</b>	DEWALT BOX 94 43122 Mölndal Sverige	Tel: 031 68 61 60 Fax: 031 68 60 08	<a href="http://www.dewalt.se">www.dewalt.se</a> <a href="mailto:kundservice.se@sbdinc.com">kundservice.se@sbdinc.com</a>
<b>Türkiye</b>	DEWALT Turkey Alet Üretim Tic. Ltd.Şti. İçerenköy Mahallesi Umur Sokak No: 10-12 / 82-83-84 Kat: 19 Ataşehir-İstanbul, Türkiye	Tel: +90 216 665 2900 Faks: +90 216 665 2901	<a href="http://tr.dewalt.global">tr.dewalt.global</a> <a href="mailto:support@dewalt.com.tr">support@dewalt.com.tr</a>
<b>United Kingdom</b>	DEWALT, 270 Bath Road; Slough, Berks SL1 4DX	Tel: 01753-567055 Fax: 01753-572112	<a href="http://www.dewalt.co.uk">www.dewalt.co.uk</a> <a href="mailto:emeaservice@sbdinc.com">emeaservice@sbdinc.com</a>
<b>Australia / New Zealand</b>	DEWALT 810 Whitehorse Road Box Hill VIC 3128 Australia	Tel: Aust 1800 654 155 Tel: NZ 0800 339 258	<a href="http://www.dewalt.com.au">www.dewalt.com.au</a> <a href="http://www.dewalt.co.nz">www.dewalt.co.nz</a>
<b>Middle East Africa</b>	DEWALT P.O. Box - 17164, Jebel Ali Free Zone (South), Dubai, UAE	Tel: 971 4 812 7400 Fax: 971 4 2822765	<a href="http://www.dewalt.ae">www.dewalt.ae</a> <a href="mailto:support@dewalt.ae">support@dewalt.ae</a>