
DEWALT

www.DEWALT.com

DWE886S

DWE886T

English (*original instructions*)

2

中文 (繁體)

9

Figure 1

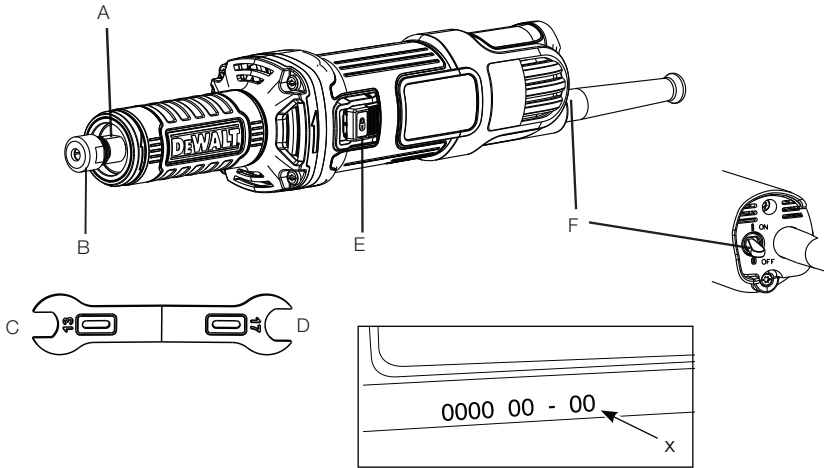
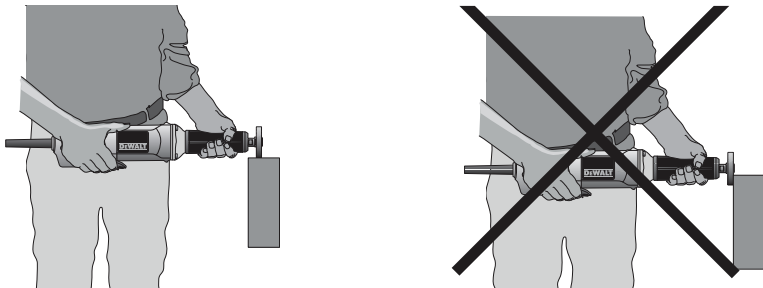


Figure 2



DIE GRINDER

DWE886T & DWE886S

Congratulations!

You have chosen a DeWALT tool. Years of experience, thorough product development and innovation make DeWALT one of the most reliable partners for professional power tool users.

Technical Data

		DWE886T	DWE886S
Voltage	V _{AC}	110~	110~
Frequency	Hz	60	60
Power input	W	400	400
No load speed	r/min	25,000	25,000
Wheel diameter	mm	25	25
Spindle		M15	M15
Collet size	mm	6	6
Switch style		toggle	slide
Weight	kg	1.62	1.62



WARNING: To reduce the risk of injury, read the instruction manual.

General Power Tool Safety Warnings



WARNING! Read all safety warnings and all instructions. Failure to follow the warnings and instructions may result in electric shock, fire and/or serious injury.

SAVE ALL WARNINGS AND INSTRUCTIONS FOR FUTURE REFERENCE

The term "power tool" in the warnings refers to your mains-operated (corded) power tool or battery-operated (cordless) power tool.

1) WORK AREA SAFETY

- Keep work area clean and well lit.** Cluttered or dark areas invite accidents.
- Do not operate power tools in explosive atmospheres, such as in the presence of flammable liquids, gases or dust.** Power tools create sparks which may ignite the dust or fumes.
- Keep children and bystanders away while operating a power tool.** Distractions can cause you to lose control.

2) ELECTRICAL SAFETY

- Power tool plugs must match the outlet. Never modify the plug in any way. Do**

not use any adapter plugs with earthed (grounded) power tools. Unmodified plugs and matching outlets will reduce risk of electric shock.

- Avoid body contact with earthed or grounded surfaces such as pipes, radiators, ranges and refrigerators.** There is an increased risk of electric shock if your body is earthed or grounded.
- Do not expose power tools to rain or wet conditions.** Water entering a power tool will increase the risk of electric shock.
- Do not abuse the cord. Never use the cord for carrying, pulling or unplugging the power tool. Keep cord away from heat, oil, sharp edges or moving parts.** Damaged or entangled cords increase the risk of electric shock.
- When operating a power tool outdoors, use an extension cord suitable for outdoor use.** Use of a cord suitable for outdoor use reduces the risk of electric shock.
- If operating a power tool in a damp location is unavoidable, use a residual current device (RCD) protected supply.** Use of an RCD reduces the risk of electric shock.

3) PERSONAL SAFETY

- Stay alert, watch what you are doing and use common sense when operating a power tool. Do not use a power tool while you are tired or under the influence of drugs, alcohol or medication.** A moment of inattention while operating power tools may result in serious personal injury.
- Use personal protective equipment. Always wear eye protection.** Protective equipment such as dust mask, non-skid safety shoes, hard hat, or hearing protection used for appropriate conditions will reduce personal injuries.
- Prevent unintentional starting. Ensure the switch is in the off position before connecting to power source and/or battery pack, picking up or carrying the tool.** Carrying power tools with your finger on the switch or energising power tools that have the switch on invites accidents.
- Remove any adjusting key or wrench before turning the power tool on.** A wrench or a key left attached to a rotating

part of the power tool may result in personal injury.

- e) **Do not overreach. Keep proper footing and balance at all times.** This enables better control of the power tool in unexpected situations.
- f) **Dress properly. Do not wear loose clothing or jewellery. Keep your hair, clothing and gloves away from moving parts.** Loose clothes, jewellery or long hair can be caught in moving parts.
- g) **If devices are provided for the connection of dust extraction and collection facilities, ensure these are connected and properly used.** Use of dust collection can reduce dust-related hazards.

4) POWER TOOL USE AND CARE

- a) **Do not force the power tool. Use the correct power tool for your application.** The correct power tool will do the job better and safer at the rate for which it was designed.
- b) **Do not use the power tool if the switch does not turn it on and off.** Any power tool that cannot be controlled with the switch is dangerous and must be repaired.
- c) **Disconnect the plug from the power source and/or the battery pack from the power tool before making any adjustments, changing accessories, or storing power tools.** Such preventive safety measures reduce the risk of starting the power tool accidentally.
- d) **Store idle power tools out of the reach of children and do not allow persons unfamiliar with the power tool or these instructions to operate the power tool.** Power tools are dangerous in the hands of untrained users.
- e) **Maintain power tools. Check for misalignment or binding of moving parts, breakage of parts and any other condition that may affect the power tool's operation. If damaged, have the power tool repaired before use.** Many accidents are caused by poorly maintained power tools.
- f) **Keep cutting tools sharp and clean.** Properly maintained cutting tools with sharp cutting edges are less likely to bind and are easier to control.
- g) **Use the power tool, accessories and tool bits etc., in accordance with these instructions taking into account the working conditions and the work to be performed.** Use of the power tool for operations different from those intended could result in a hazardous situation.

5) SERVICE

- a) **Have your power tool serviced by a qualified repair person using only identical replacement parts.** This will ensure that the safety of the power tool is maintained.

SAFETY INSTRUCTIONS FOR ALL OPERATIONS

Safety Warnings Common for Grinding, Sanding, Wire Brushing, Polishing or Abrasive, Cutting-Off Operations

- a) **This power tool is intended to function as a grinder. Read all safety warnings, instructions, illustrations and specifications provided with this power tool.** Failure to follow all instructions listed below may result in electric shock, fire and/or serious injury.
- b) **Operations such as wire brushing, sander, polisher, carving or cut-off tool are not recommended to be performed with this power tool.** Operations for which the power tool was not designed may create a hazard and cause personal injury.
- c) **Do not use accessories which are not specifically designed and recommended by the tool manufacturer.** Just because the accessory can be attached to your power tool, it does not assure safe operation.
- d) **The rated speed of the accessory must be at least equal to the maximum speed marked on the power tool.** Accessories running faster than their rated speed can break and fly apart.
- e) **The outside diameter and the thickness of your accessory must be within the capacity rating of your power tool.** Incorrectly sized accessories cannot be adequately guarded or controlled.
- f) **The arbor size of wheels, flanges, backing pads or any other accessory must properly fit the spindle of the power tool.** Accessories with arbor holes that do not match the mounting hardware of the power tool will run out of balance, vibrate excessively and may cause loss of control.
- g) **Do not use a damaged accessory.** Before each use inspect the accessory such as abrasive wheel for chips and cracks, backing pad for cracks, tear or excess wear, wire brush for loose or cracked wires. If power tool or accessory is dropped, inspect for damage or install an undamaged accessory. After inspecting and installing an accessory, position yourself and bystanders away

from the plane of the rotating accessory and run the power tool at maximum no-load speed for one minute. Damaged accessories will normally break apart during this test time.

- h) **Wear personal protective equipment. Depending on application, use face shield, safety goggles or safety glasses. As appropriate, wear dust mask, hearing protectors, gloves and workshop apron capable of stopping small abrasive or workpiece fragments.** The eye protection must be capable of stopping flying debris generated by various operations. The dust mask or respirator must be capable of filtering particles generated by your operation. Prolonged exposure to high intensity noise may cause hearing loss.
- i) **Keep bystanders a safe distance away from work area. Anyone entering the work area must wear personal protective equipment.** Fragments of workpiece or of a broken accessory may fly away and cause injury beyond immediate area of operation.
- j) **Hold power tool by insulated gripping surfaces only, when performing an operation where the cutting accessory may contact hidden wiring or its own cord.** Cutting accessory contacting a "live" wire may make exposed metal parts of the power tool "live" and shock the operator.
- k) **Position the cord clear of the spinning accessory.** If you lose control, the cord may be cut or snagged and your hand or arm may be pulled into the spinning accessory.
- l) **Never lay the power tool down until the accessory has come to a complete stop.** The spinning accessory may grab the surface and pull the power tool out of your control.
- m) **Do not run the power tool while carrying it at your side.** Accidental contact with the spinning accessory could snag your clothing, pulling the accessory into your body.
- n) **Regularly clean the power tool's air vents.** The motor's fan will draw the dust inside the housing and excessive accumulation of powdered metal may cause electrical hazards.
- o) **Do not operate the power tool near flammable materials.** Sparks could ignite these materials.
- p) **Do not use accessories that require liquid coolants.** Using water or other liquid coolants may result in electrocution or shock.

Causes and Operator Prevention of Kickback

Kickback is a sudden reaction to a pinched or snagged rotating wheel, backing pad, brush or any other accessory. Pinching or snagging causes rapid stalling of the rotating accessory which in turn causes the uncontrolled power tool to be forced in the direction opposite of the accessory's rotation at the point of the binding.

For example, if an abrasive wheel is snagged or pinched by the workpiece, the edge of the wheel that is entering into the pinch point can dig into the surface of the material causing the wheel to climb out or kick out. The wheel may either jump toward or away from the operator, depending on direction of the wheel's movement at the point of pinching. Abrasive wheels may also break under these conditions.

Kickback is the result of tool misuse and/or incorrect operating procedures or conditions and can be avoided by taking proper precautions as given below:

- a) **Maintain a firm grip on the power tool and position your body and arm to allow you to resist kickback forces. Always use auxiliary handle, if provided, for maximum control over kickback or torque reaction during start up.** The operator can control torque reaction or kickback forces, if proper precautions are taken.
- b) **Never place your hand near the rotating accessory.** Accessory may kickback over your hand.
- c) **Do not position your body in the area where power tool will move if kickback occurs.** Kickback will propel the tool in direction opposite to the wheel's movement at the point of snagging.
- d) **Use special care when working corners, sharp edges etc. Avoid bouncing and snagging the accessory.** Corners, sharp edges or bouncing have a tendency to snag the rotating accessory and cause loss of control or kickback.
- e) **Do not attach a saw chain woodcarving blade or toothed saw blade.** Such blades create frequent kickback and loss of control.

Safety Warnings Specific for Grinding and Abrasive

Cutting-Off Operations Operations

- a) **Use only wheel types that are recommended for your power tool and**

the specific guard designed for the selected wheel. Wheels for which the power tool was not designed cannot be adequately guarded and are unsafe.

- b) **Wheels must be used only for recommended applications. For example: do not grind with the side of cut-off wheel.** Abrasive cut-off wheels are intended for peripheral grinding, side forces applied to these wheels may cause them to shatter.
- c) **Always use undamaged wheel flanges that are of correct size and shape for your selected wheel.** Proper wheel flanges support the wheel thus reducing the possibility of wheel breakage. Flanges for cut-off wheels may be different from grinding wheel flanges.
- d) **Do not use worn down wheels from larger power tools.** Wheel intended for larger power tool is not suitable for the higher speed of a smaller tool and may burst.

Additional Safety Warnings Specific for Abrasive Cutting-Off Operations

- a) **Do not “jam” the cut-off wheel or apply excessive pressure. Do not attempt to make an excessive depth of cut.**
Overstressing the wheel increases the loading and susceptibility to twisting or binding of the wheel in the cut and the possibility of kickback or wheel breakage.
- b) **Do not position your body in line with and behind the rotating wheel.** When the wheel, at the point of operation, is moving away from your body, the possible kickback may propel the spinning wheel and the power tool directly at you.
- c) **When wheel is binding or when interrupting a cut for any reason, switch off the power tool and hold the power tool motionless until the wheel comes to a complete stop. Never attempt to remove the cut-off wheel from the cut while the wheel is in motion otherwise kickback may occur.** Investigate and take corrective action to eliminate the cause of wheel binding.
- d) **Do not restart the cutting operation in the workpiece. Let the wheel reach full speed and carefully reenter the cut.** The wheel may bind, walk up or kickback if the power tool is restarted in the workpiece.
- e) **Support panels or any oversized workpiece to minimize the risk of wheel pinching and kickback.** Large workpieces tend to sag under their own weight. Supports must be placed under the workpiece near

the line of cut and near the edge of the workpiece on both sides of the wheel.

- f) **Use extra caution when making a “pocket cut” into existing walls or other blind areas.** The protruding wheel may cut gas or water pipes, electrical wiring or objects that can cause kickback.

Safety Warnings Specific for Polishing Operations

- a) **Do not allow any loose portion of the polishing bonnet or its attachment strings to spin freely. Tuck away or trim any loose attachment strings.** Loose and spinning attachment strings can entangle your fingers or snag on the workpiece.

Safety Warnings Specific for Wire Brushing Operations

- a) **Be aware that wire bristles are thrown by the brush even during ordinary operation. Do not overstress the wires by applying excessive load to the brush.** The wire bristles can easily penetrate light clothing and/or skin.

Additional Safety Information

- **Do not use Type 11 (flaring cup) wheels on this tool.** Using inappropriate accessories can result in injury.
- **Air vents often cover moving parts and should be avoided.** Loose clothes, jewelry or long hair can be caught in moving parts.
- **Avoid prolonged contact with dust from power sanding, sawing, grinding, drilling, and other construction activities. Wear protective clothing and wash exposed areas with soap and water.** Allowing dust to get into your mouth, eyes, or lay on the skin may promote absorption of harmful chemicals.
- ⚠ **WARNING: When not in use, place grinder on a stable surface where it will not move inadvertently, roll or cause a tripping or falling hazard.** Serious personal injury may result.
- ⚠ **CAUTION: To reduce the risk of personal injury, use extra care when working into a corner or edge because a sudden, sharp movement of the tool may be experienced when the wheel or other accessory contacts a secondary surface or a surface edge.**
- The label on your tool may include the following symbols. The symbols and their definitions are as follows:

- V.....volts
- A.....amperes
- Hz.....hertz
- W.....watts
- minminutes

ENGLISH

~	alternating current
==	direct current
↔	alternating or direct current
Ⓜ	Class I Construction
n ₀	no load speed (grounded)
⊕	earthing terminal
□	Class II Construction
⚠	safety alert symbol (double insulated)
BPM	beats per minute
r/min	revolutions per minute
RPM	revolutions per minute
IPM	impacts per minute
sfm	surface feet per minute

SAVE THESE INSTRUCTIONS FOR FUTURE USE

DATE CODE POSITION (FIG.1)

The date code (x), which also includes the year of manufacture, is printed into the housing.

Example: 2014 XX XX
Year of Manufacture

Package Contents

The package contains:

- 1 die grinder
- 2 wrenches
- 1 instruction manual

Motor

Be sure your power supply agrees with the nameplate marking. Voltage decrease of more than 10% will cause loss of power and overheating. All DeWALT tools are factory tested; if this tool does not operate, check the power supply.

COMPONENTS (Figure 1)

⚠ **WARNING:** Never modify the power tool or any part of it. Damage or personal injury could result.

- A. spindle
- B. Nut
- C. Small spanner(13mm)
- D. Large spanner(17mm)
- E. Switch (slider)
- F. Switch (toggle)

INTENDED USE

The DWE886S&DWE886T die grinders have been designed for professional grinding. **DO NOT** use under wet conditions or in presence of flammable liquids or gases.

These die grinders are professional power tools.

DO NOT let children come into contact with the tool. Supervision is required when inexperienced operators use this tool.

Switches

⚠ **WARNING:** Before connecting the tool to a power source depress and release the switch once without depressing the lock-on button to ensure that the switch is off. Depress and release the switch as described above after any interruption in power supply to the tool, such as the activation of a ground fault interrupter, throwing of a circuit breaker, accidental unplugging, or power failure. If the switch is locked on, the tool will start unexpectedly when it is reconnected.

⚠ **WARNING:** Grasp tool firmly with both hands to maintain control of the tool at start up and during use and until the wheel or accessory stops rotating. Make sure the wheel has come to a complete stop before laying the tool down.

⚠ **WARNING:** To reduce unexpected tool movement, do not switch the tool on or off while under load conditions. Allow the grinder to run up to full speed before touching the work surface. Lift the tool from the surface before turning the tool off.

SLIDER SWITCH DWE886S(FIG. 1)

⚠ **WARNING:** Before connecting the tool to a power source, please check and ensure the switch is off. Switch it off as described above after any interruption in power supply to the tool, such as the activation of a ground fault interrupter, throwing of a circuit breaker, accidental unplugging, or power failure. If the switch is on, the tool will start unexpectedly when it is reconnected. If the slider switch is locked on when the power is connected, the tool will start unexpectedly. To start the tool, slide the slider switch (E) toward the front of the tool. To stop the tool, release the slider switch. For continuous operation, slide the switch toward the front of the tool and press the forward part of the switch inward. To stop the tool while operating in continuous mode, press the rear part of the slider switch and release.

TOGGLE SWITCH DWE886T (FIG. 1)

⚠ **WARNING:** Before using the tool, check that the handle is tightened securely. To turn on the tool, lift up the button(F) to "1" position, to turn off the tool, push the toggle switch Button(F) to "0" position. **WARNING:** Do not switch the tool on or off when under load.

⚠ **WARNING:** Allow the tool to reach full speed before touching tool to the work surface. Lift the tool from the work surface before turning the tool off.

OPERATION

⚠ **WARNING:** To reduce the risk of serious personal injury, turn tool off and disconnect tool from power source before making any adjustments or removing/

installing attachments or accessories.
Before reconnecting the tool, depress and release the switch to ensure that the tool is off.

Install Grinding Wheels

1. Remove mounting nut by turning it counterclockwise (when facing outer side of accessory). The spindle can be held stationary by holding a wrench on the flats provided on the exposed portion of the spindle.
2. Only tighten nut sufficiently to drive the wheel without slippage.
3. When starting the tool (with a new or replacement wheel installed) hold the tool in a well protected area. If the wheel has an undetected crack or flaw, it should burst in less than one minute. Never start tool with a person in line with the wheel. This includes the operator.

⚠ WARNING: *Grasp tool firmly with both hands to maintain control of the tool at start up and during use and until the wheel or accessory stops rotating. Make sure the wheel has come to a complete stop before laying the tool down.*

Put the work in a vise or clamp it securely. Use a face mask over the nose and mouth if the operation raises dust. Treat the wheel with respect. do not jam the wheel into the work or use unnecessary pressure. Grind only on the face of the wheel (Fig. 2), unless you have a special wheel specifically made to permit grinding on the side of the wheel.

Precautions To Take When Sanding Paint

1. Sanding of lead based paint is NOT RECOMMENDED due to the difficulty of controlling the contaminated dust. The greatest danger of lead poisoning is to children and pregnant women.
2. Since it is difficult to identify whether or not a paint contains lead without a chemical analysis, we recommend the following precautions when sanding any paint:

PERSONAL SAFETY

1. No children or pregnant women should enter the work area where the paint sanding is being done until all clean up is completed.
2. A dust mask or respirator should be worn by all persons entering the work area. The filter should be replaced daily or whenever the wearer has difficulty breathing.

NOTE: Only those dust masks suitable for working with lead paint dust and fumes should be used. Ordinary painting masks do not offer this protection. See your local hardware dealer for the proper N.I.O.S.H. approved mask.

3. NO EATING, DRINKING or SMOKING should be done in the work area to prevent ingesting contaminated paint particles. Workers should wash and clean up BEFORE eating, drinking or smoking. Articles of food, drink, or smoking should not be left in the work area where dust would settle on them.

ENVIRONMENTAL SAFETY

1. Paint should be removed in such a manner as to minimize the amount of dust generated.
2. Areas where paint removal is occurring should be sealed with plastic sheeting of 4 mils thickness.
3. Sanding should be done in a manner to reduce tracking of paint dust outside the work area.

CLEANING AND DISPOSAL

1. All surfaces in the work area should be vacuumed and thoroughly cleaned daily for the duration of the sanding project. Vacuum filter bags should be changed frequently.
2. Plastic drop cloths should be gathered up and disposed of along with any dust chips or other removal debris. They should be placed in sealed refuse receptacles and disposed of through regular trash pick-up procedures.

During clean up, children and pregnant women should be kept away from the immediate work area.

3. All toys, washable furniture and utensils used by children should be washed thoroughly before being used again.

MAINTENANCE

⚠ WARNING: *To reduce the risk of serious personal injury, turn tool off and disconnect tool from power source before making any adjustments or removing/ installing attachments or accessories. Before reconnecting the tool, depress and release the switch to ensure that the tool is off.*

Cleaning

⚠ WARNING: *Blowing dust and grit out of motor and switch actuator using clean, dry compressed air is a necessary regular maintenance procedure. Dust and grit containing metal particles often accumulate on interior surfaces and could create an electrical shock or electrocution if not frequently cleaned out. It is recommended that a ground fault circuit interrupter (GFCI) is utilized to further protect the user from electric shock resulting from the accumulation of conductive particles. If the tool is deactivated by the GFCI, unplug the tool and*

ENGLISH

check and clean the tool before resetting the GFCI. ALWAYS WEAR SAFETY GLASSES (ANSI Z87.1) when cleaning or using this tool.

- ⚠ **WARNING:** Never use solvents or other harsh chemicals for cleaning the non-metallic parts of the tool. These chemicals may weaken the plastic materials used in these parts. Use a cloth dampened only with water and mild soap. Never let any liquid get inside the tool; never immerse any part of the tool into a liquid.

Lubrication

Your power tool requires no additional lubrication.

Motor Brushes

DWE886

Please contact your local service center to inspect brushes.

Accessories

- ⚠ **WARNING:** Since accessories, other than those offered by DeWalt, have not been tested with this product, use of such accessories with this tool could be hazardous. To reduce the risk of injury, only DeWalt, recommended accessories should be used with this product.

Recommended accessories for use with your tool are available at extra cost from your local dealer or authorized service center. If you need assistance in locating any accessory, please contact DeWalt Industrial Tool Co., nearest to you or visit our website www.dewalt.com.

- ⚠ **WARNING:** To reduce the risk of injury, always use proper guards when grinding and wear eye protection.

ACCESSORY FOR DIE GRINDERS

Mounted Stones and Points

Repairs

To assure product SAFETY and RELIABILITY, repairs, maintenance and adjustments (including brush inspection and replacement) should be performed by a DeWalt factory service center, a DeWalt authorized service center or other qualified service personnel. Always use identical replacement parts.

刻磨機

DWE886T DWE886S

恭喜閣下！

感謝您選購 DeWALT 工具。憑藉多年的產品開發和創新經驗，DeWALT 已成為專業電動工具使用者最信賴的夥伴。

技術資料

		DWE886T	DWE886S
電壓	V _{AC}	110	100
頻率	Hz	60	60
輸入功率	W	400	400
空載轉速	/min	25,000	25,000
砂輪直徑	mm	25	25
心軸		M15	M15
筒夾尺寸	mm	6	6
開關類型		切換	側滑
重量	kg	1.62	1.62



警告：為了降低受傷的風險，必須仔細閱讀使用手冊。

電動工具一般安全警告



警告！請閱讀所有安全警告及使用指示。不遵循這些警告和指示可能會導致觸電、火災及/或嚴重傷害。

請妥善保存所有的警告和使用手冊以備將來查閱

警告中的名詞「電動工具」是指電源驅動（插電）電動工具，或者電池驅動（充電）電動工具。

1) 工作場地安全

- 保持工作場地清潔和明亮。電動工具產生的火花會點燃塵埃或氣體。
- 請等待兒童和旁觀者離開之後才操作電動工具。分心會導致您疏忽於控制。
- 請等待兒童和旁觀者離開之後才操作電動工具。分心會導致您疏忽於控制。

2) 電氣安全

- 電動工具插頭必須與插座相符。切勿以任何方式改裝插頭。需接地的電動工具不能使用任何配接器插頭。未經改裝的插頭和相符的插座可以減少觸電危險。
- 避免人體接觸接地表面，如管道、散熱片、爐灶和冰箱。若您的身體接地，可增加觸電危險。
- 不得將電動工具暴露在雨中或潮濕環境中。水進入電動工具會增加觸電危險。
- 切勿濫用電線。請勿使用電線來搬運、拉動電動工具或拔出插頭。讓電線遠離熱、油、銳邊和活動部件。受損或纏繞的電線會增加觸電危險。
- 若要在戶外使用電動工具，請使用適合戶外使用的延長電線。使用適合戶外使用的電線可減少觸電危險。
- 若必須在潮濕場合使用電動工具，請使用漏電保護器（RCD）。使用 RCD 可降低觸電危險。

3) 人身安全

- 保持警覺；在操作電動工具時，請留意所執行的操作並按照一般的程式執行。切勿在疲倦，或受到藥物、酒精或治療的影響下操作電動工具。操作電動工具期間注意力分散會導致嚴重人身傷害。
- 使用個人防護裝置。始終佩戴護目裝備。防護裝置，例如在適當條件下可使用的防塵面具、防滑安全鞋、安全帽或聽力保護等裝置可減少人身傷害。
- 避免意外啟動。連接電源及/或電池組、舉抬或搬運電動工具之前，請確定開關處於關閉位置。搬運電動工具時若將手指放在開關上，或是在接通開關電源時插入插頭都會引發危險。

- d) **接通電動工具之前，請卸下所有的調整鑰匙或扳手。**遺留在電動工具旋轉部件上的扳手或鑰匙會導致人身傷害。
- e) **不要過度伸張雙手。時刻注意腳下和身體的平衡。**如此即可在發生意外的情況下更好地控制電動工具。
- f) **適當穿著。不要穿寬鬆衣服或佩戴飾品。讓您的頭髮、衣服和手套遠離活動部件。**寬鬆衣服、佩飾和長髮可能會捲入活動部件。
- g) **若配備用於連接排屑裝置、集塵設備的裝置，請確定正確連接和使用這些裝置。**使用集塵設備可減少與塵埃有關的危險。

4) 電動工具的使用與注意事項

- a) **不要超負荷使用電動工具。根據您的用途使用適當的電動工具。**使用適當的電動工具、讓它在設計可負荷的應用內運轉，會讓您更有效、更安全地執行工作。
- b) **若開關不能開啟或關閉電源，切勿使用該電動工具。**不能用開關來控制的電動工具將存在危險，必須進行維修。
- c) **在執行任何調整、更換配件或儲存工具之前，必須從電源上拔掉插頭及/或卸下電池組。**這類防護性措施可降低電動工具意外啟動的風險。
- d) **將閒置的電動工具儲存在兒童無法接觸的地方，並且不要讓不熟悉電動工具或對這些使用指示不瞭解的人員操作電動工具。**電動工具在未經培訓的使用者手中會發生危險。
- e) **維護電動工具。檢查活動部件是否對準或卡住、破損情況以及是否存在影響電動工具運行的其他情況。若有損毀，必須在使用之前修理電動工具。**許多事故都是由於電動工具欠缺維護所導致。
- f) **保持刀具鋒利和清潔。妥善維護、切削鋒利的切割工具不會輕易卡住並可更輕鬆控制。**
- g) **遵循使用指示以及工作條件和所要執行的工作使用電動工具、配件和工具刀頭等。不按照設計目使用電動工具將會導致危險。**

5) 檢修

- a) **本電動工具必須由合格的維修人員並只採用相同的原廠部件來執行檢修。**這將確保電動工具的安全性。

所有操作之安全指示

針對打磨、砂光、刷光、拋光及砂輪切割操作的安全警告

- a) **本電動工具適合作打磨工具。請閱讀本電動工具隨附的所有安全警告、指示、圖示和規格。**不遵循下列的所有指示可能會導致觸電、火災及/或嚴重傷害。
- b) **不建議使用本電動工具執行刷光、砂光、拋光、離盤或切割等操作。**將電動工具用於非專用的操作會引發危險並導致人身傷害。
- c) **切勿使用非工具製造廠商專門設計及推薦的配件。**就算配件可裝到電動工具上，這並不代表它能確保安全操作。
- d) **配件的額定速度必須至少相等於電動工具上所標示的最大速度。**配件以比其額定速度大的速度運行可能會引發爆裂和飛濺。
- e) **配件的外徑與厚度必須在電動工具的額定能力範圍內。**錯誤尺寸的配件將無法得到充分保護或控制。
- f) **砂輪、凸緣、支撐墊或任何其他配件的軸孔尺寸必須適合於安裝到電動工具的心軸上。**軸孔與電動工具安裝硬件不相配的配件將會失衡、過度震動並會引起失控。
- g) **切勿使用已損壞的配件。每次使用前，請檢查配件，例如檢查砂輪是否有碎裂和裂縫，檢查支撐墊是否有裂縫、撕裂或過度磨損，檢查鋼絲刷是否鬆動或鋼絲是否斷裂。若電動工具或配件跌落，請檢查是否損毀，或立即安裝未破損的配件。檢查並安裝配件後，讓自己和旁觀者遠離配件的旋轉範圍，並讓電動工具以最大的空載速度運行一分鐘。受損配件一般會在此測試過程中碎裂。**
- h) **佩戴個人防護裝置。根據適用情況，使用面罩、安全護目鏡或防護眼鏡。適用時，佩戴防塵面具、聽力保護器、手套及能阻擋細小**

磨料或工件碎片的工作圍裙。護目裝備必須能夠擋住各種操作所產生的飛屑。防護面具或口罩必須能夠過濾各種操作所產生的顆粒。長期暴露於高強度噪音中可能會使聽力受損。

- i) **讓旁觀者與工作場地保持一定安全距離。任何進入工作場地的人員都必須佩戴個人防護裝置。**工件或受損配件的碎片可能會飛出並導致緊靠著操作區域的旁觀者受到傷害。
- ii) **若在執行操作時切削配件可能會接觸隱藏的電線或它本身的電線，則只能從絕緣手柄表面握住電動工具。**切削配件若接觸到「帶電」導線，電動工具金屬部件表面也會「帶電」，從而導致操作人員觸電。
- k) **讓電線遠離旋轉的配件。**若控制不當，電線可能會被切斷或纏繞，並可能使您的手或手臂被捲入旋轉配件中。
- l) **直到配件完全停止運動才放下電動工具。**旋轉的配件可能會抓住表面並拉動電動工具，讓您失去對工具的控制。
- m) **攜帶電動工具時不要啟動它。**意外接觸旋轉配件可能會纏繞您的衣服，使配件傷害您的身體。
- n) **定期清理電動工具的通風口。**電動機風扇會將灰塵吸進機殼，過多的金屬粉塵沉積可能會導致電氣危險。
- o) **切勿在易燃材料附近操作電動工具。**火星可能會點燃這些材料。
- p) **切勿使用需要冷卻液的配件。**用水或其他冷卻液可能會導致觸電或觸電致死。

反衝的原因及操作人員可採用的預防措施

反衝是因卡住或纏繞住的旋轉砂輪、支撐墊、鋼絲刷或任何其他配件而產生的突然反作用力。卡住或纏繞會引起旋 配件迅速失速，隨之使失控的電動工具在卡住點產生與配件旋轉方向相反的運動。

例如，若砂輪被工件纏繞或卡住，伸入卡住點的砂輪邊緣可能會進入材料表面，從而引起砂輪爬出或反衝。砂輪可能會飛向或飛離

操作人員，這取決於砂輪在卡住點的運動方向。在此條件下，砂輪也可能會碎裂。

反衝是由於電動工具使用不當及/或不正確的操作程序或條件而導致。可透過採取下列適當的預防措施而避免：

- a) **保持緊握電動工具，調整身體和手臂位置，以應對反衝。如有輔助手柄，則要一直使用，以最大限度地控制啟動時的反衝力或反扭矩。**若採取合適的預防措施，操作人員即可以控制反扭矩或反衝力。
- b) **切勿將手靠近旋轉配件。**配件可能會反衝碰到手。
- c) **切勿站在發生反衝時電動工具可能移動到的位置。**反衝將在纏繞點促使工具逆砂輪運動方向運動。
- d) **處理尖角、銳邊等時請格外小心。**避免附件跳彈和被纏繞住。尖角、銳邊或彈跳可能會纏繞旋轉配件並引起失控或反衝。
- e) **切勿附裝上鋸鏈木雕鋸片或帶齒鋸片。**此類鋸片會產生頻繁的反衝和失控。

針對打磨和砂輪切割操作的安全警告

- a) **只使用為電動工具所推薦的砂輪型號及為所選砂輪專門設計的防護罩。**不是專為電動工具設計的砂輪無法得到充分保護，是不安全的。
- b) **砂輪只可用於所推薦的用途。例如，不要使用切割砂輪的側面進行打磨。**切割砂輪設計用於圓周打磨，施加到砂輪側面的側力可能會使其碎裂。
- c) **始終為所選砂輪選用未損毀、尺寸及形狀正確的砂輪凸緣。**合適的砂輪凸緣可支撐砂輪，從而減小砂輪破裂的可能性。切割砂輪的凸緣可能與打磨砂輪的凸緣不同。
- d) **切勿使用大規格電動工具上用的磨損砂輪。**用於大規格電動工具的砂輪不適於較小規格工具的高速工況並可能會爆裂。

針對砂輪切割操作的附加安全警告

- a) **切勿「夾」住切割砂輪或施加過大的壓力。切勿試圖進行過深的切割。**給砂輪施加過高的應力將增加砂輪在切割時的負載，容易纏繞或卡住，而且將增加反衝或砂輪爆裂的可能性。
- b) **身體不要與旋轉砂輪呈一條直線，也不要站在其後。**將在操作點的砂輪從操作人員身邊移開時，可能的反衝可能會使旋轉砂輪和電動工具朝向您推動。
- c) **砂輪被卡住或無論因任何原因而中斷切割時，關掉電動工具並握住工具不動，直到砂輪完全停止。切勿試圖在砂輪仍然運行時使切割砂輪脫離切割，否則可能會產生反衝。**檢查並採取矯正措施，以消除砂輪卡住的原因。
- d) **切勿在工件上重新啟動切割操作。讓砂輪達到全速後再小心地重新進入切割。**若電動工具在工件中重新啟動，砂輪可能會卡住、爬出或反衝。
- e) **支撐住板材或任何超大工件以最大限度地降低砂輪卡住和反衝的風險。**大型工件由於自身重量而有下陷的傾向。必須在工件靠近切線處及砂輪兩側近工件邊緣處放置支撐物。
- f) **對現有牆體或其他盲區進行「開口切割」時應格外小心。**伸出的砂輪可能會割到氣管、水管、電線或由此引起反衝的物體。

針對拋光操作的安全警告

- a) **不允許拋光帽或其配線的任何部分出現鬆動，以免其自由旋轉。隱藏或修整任何鬆動的配線。**鬆動和旋轉的配線可能會纏住您的手指或纏繞在工件上。

針對刷光操作的安全警告

- a) **請注意，即使在正常操作期間，鋼絲刷也會掉落鋼絲。切勿對鋼絲刷施加過高負載，以免對鋼絲施加過高的應力。**鋼絲刷可輕鬆地刺穿單薄的衣服及/或皮膚。

附加安全資訊

- **切勿在本工具上使用 11 號 (杯形) 砂輪。**使用不合適的配件可能會導致傷害。通風口通常會蓋住活動部件，應予以避免。寬鬆衣服、佩飾和長髮可能會捲入活動部件。
- **避免與專業砂光、切鋸、打磨、鑽孔以及其他建造操作所導致的粉塵長時間接觸。**身穿防護服，用肥皂和水將所接觸到的區域清洗乾淨。別讓粉塵進入或接觸到您的嘴巴、眼睛或皮膚！您的身體可能會吸收到有害的化學物質。

△ 警告：不使用時，請將刻磨機放在不能自由移動、滾動或引起絆倒或墜落危險的平穩表面上。否則可能會導致嚴重人身傷害。

△ 小心：為了降低受傷的風險，在有角或有邊物件上使用時須格外小心，因為砂輪或其他配件接觸次表面或表面曲邊時，工具可能會突然出現劇烈移動。

- 您的工具上可能包含下列符號。符號及其定義如下：

V.....	伏特
A.....	安培
Hz.....	赫茲
V.....	瓦特
min	分鐘
~.....	交流電
— — —	直流電
⎓.....	交流電或直流電
Ⓜ.....	I 級結構
n ₀ -----	空載轉速 (接地)
⊕.....	接地終端
Ⓜ.....	II 級結構
△.....	安全警告符號 (雙重絕緣)
BPM	每分鐘衝擊次數
r/min.....	轉每分鐘
RPM.....	轉每分鐘

IPM.....每分鐘衝擊次數
 sfpm.....每分鐘表面切割長度（英尺）

請保存這些安全指示以備將來查閱

日期碼的位置 (圖 1)

日期代碼 (x) 亦包括製造年份，已印刷在工具外殼上。

範例： 2014 XX XX
 製造年份

套裝內的物件

本套裝包括：
 1 個刻磨機
 2 個扳手
 1 本使用手冊

電機

請確保您的電源供應器與銘牌上標注的內容一致。電壓降低超過 10% 將導致功率損失以及過熱。所有 DEWALT 工具已進行出廠檢驗；若此工具無法運作，請檢查電源。

元件 (圖 1)

△ 警告：請勿改動本電動工具或其任何部件，否則可能導致損壞或人身傷害。

- A. 心軸
- B. 螺母
- C. 小扳手 (13 毫米)
- D. 大扳手 (17 毫米)
- E. 開關 (滑塊)
- F. 開關 (切換)

設計用途

DWE886S 和 DWE886T 刻磨機設計用於專業打磨作業。**切勿**在潮濕有水或存有易燃液體或氣體的環境下使用工具。

本刻磨機是專業電動工具。**不要**讓兒童接觸本工具。缺乏經驗的操作人員需要在監督下使用本工具。

開關

△ 警告：工具連接到電源之前，請按下並鬆開開關一次，而不要按下鎖定按鈕，以確保開關處於關閉位置。在工具的電源出現中斷後，如啟動接地故障斷路器、丟棄斷路器、意外拔下插頭或斷電，如上面所述按下並鬆開開關。若開關處於鎖定狀態，則工具將會在再次通電時意外啟動。

△ 警告：雙手緊握工具以在啟動時和使用過程中保持對工具的控制，直到砂輪或配件停止旋轉。確保砂輪完全停止後才放下工具。

△ 警告：若要減少工具意外移動，切勿在負載情況下開啟或關閉工具。允許砂輪機運行達到全速後再接觸工作表面。從工作表面提起工具，然後再關閉工具。

滑動開關 DWE886S (圖 1)

△ 警告：工具連接到電源之前，請檢查並確保開關處於關閉狀態。在工具的電源出現中斷後，如啟動接地故障斷路器、丟棄斷路器、意外拔下插頭或斷電，如上面所述關閉開關。若開關處於開啟狀態，則工具將會在再次通電時意外啟動。若連接電源後滑動開關鎖定為開啟狀態，工具將會意外啟動。若要啟動工具，請將滑動開關 (C) 滑向工具的前方。若要停止工具，請鬆開滑動開關。若要執行持續操作，請將開關滑向工具的前方並向內按開關的前部。若要在持續操作模式停止工具，請按下滑動開關的後部，然後鬆開。

切換開關 DWE886T (圖 1)

△ 警告：使用工具之前，請檢查手柄是否牢固擰緊。

若要開啟工具，請將按鈕 (F) 提起至 "1" 位置；若要關閉工具，請將切換開關按鈕 (F) 推至 "0" 位置。

警告：切勿在負載下接通和關閉工具電源。

- △ **警告：**讓工具達到全速然後再將工具移至工作表面。從工作表面提起工具，然後再關閉工具。

操作

- △ **警告：**為了降低造成嚴重人身傷害的風險，在進行任何調整或卸下或安裝附件或配件之前，切記關閉工具並斷開工具電源。重新連接工具之前，請按下並鬆開開關以確保工具已關閉。

安裝砂輪

1. (當面向配件的外側時)逆時針方向轉動裝配螺母將其取下。只需用扳手夾持住心軸外凸部分的平台，便可保持心軸靜止。
2. 將螺母擰緊至足以使砂輪不打滑旋轉為止。
3. 啟動工具時，若您安裝是全新的或替換的砂輪，請將工具移至一個安全、保護完善的區域。如果砂輪上有任何您未曾察覺過的裂紋或裂縫，砂輪必將在一分鐘內爆裂。啟動工具時，請不要將砂輪對著任何人，包括操作人員。

- △ **警告：**雙手緊握工具以在啟動時和使用過程中保持對工具的控制，直到砂輪或配件停止旋轉。確保砂輪完全停止後才放下工具。

將工件放進一個老虎鉗中，或將其夾緊。如果作業揚起粉塵，請在鼻子部位使用口罩。妥善使用砂輪。切勿使砂輪卡在工件中或額外施加不必要的壓力。僅可在砂輪(圖 2)表面執行打磨，除非您使用特製的砂輪，允許在其側面執行打磨。

漆面打磨時採取的預防措施

1. 不建議對含鉛漆面進行打磨，因為控制污染粉塵比較困難。鉛中毒對兒童及孕婦的危害最大。
2. 由於在沒有化學分析的情況下難以確定油漆是否含鉛，因此我們建議在對任何漆面進行打磨時採取下列預防措施。

人身安全

1. 在完成所有清理工作前，兒童或孕婦不應進入正在執行漆面打磨的工作區域。
2. 進入工作區域的所有人應佩戴防塵面罩或口罩。過濾器應每天或在佩帶者難以呼吸時更換。

註：應僅使用對含鉛油漆塵埃及氣體提供防護的防塵面罩。普通油漆面罩不提供此防護功能。請諮詢當地的五金經銷商，了解經美國職業安全及衛生研究院 (N.I.O.S.H.) 批准的合適口罩。

3. 不應在工作區域進食、飲水或吸煙，以防吸入油漆污染顆粒。工作人員應在進食、飲水或吸煙前洗手和清理。食品、飲料或煙草不應留下工作區域，塵埃會沉積在它們上面。

環境安全

1. 移除油漆時應將產生的塵埃量減到最少。
2. 移除油漆的區域應使用 4 公釐厚的塑料片密封。
3. 打磨時應儘量減少工作區域外油漆粉塵的痕跡。

清潔和處理

1. 在執行打磨作業期間，應每天對工作區域中所有表面進行真空清掃和徹底清潔。應經常更換真空過濾袋。
2. 滴塑布應該與塵埃或其他碎片收集在一起並處理。應該將它們放入密封的垃圾容器內，並透過常規垃圾收集程序進行處理。清理期間，兒童和孕婦應該遠離工作區域。
3. 所有玩具、可清洗之家具及兒童用具應徹底清洗，然後再使用。

維護

- △ **警告：**為了降低造成嚴重人身傷害的風險，在進行任何調整或卸下或安裝附件或配件之前，切記關閉工具並斷開工具電源。重新連接工具之前，請按下並鬆開開關以確保工具已關閉。

清潔

△ **警告：**使用清潔、乾燥的壓縮空氣將粉塵和砂礫從電機和開關致動器上吹走是一個必要的常規維護程序。

如不經常進行清理，帶有金屬屑的粉塵和磨粒常常會在外表面聚積，並且可能會引起觸電危險或觸電致死。

建議使用接地故障斷路器 (GFCI) 提供進一步保護，以免因導電顆粒積聚導致使用者發生觸電危險。

如果 GFCI 停止了工具的運轉，請拔下工具的插頭，並檢查和清潔工具後再重設 GFCI。

清潔或使用本工具時，請始終佩戴護目鏡 (ANSI Z87.1)。

△ **警告：**切勿使用溶劑或其他刺激性化學品來清潔工具的非金屬部件。

這些化學品可能會削弱零件中使用的塑膠材料。

只能使用抹布蘸中性肥皂水進行清潔。

不要讓任何液體進入工具；不要讓工具的任何部分浸入液體中。

進口商:永安實業股份有限公司

地址:新北市三重區新北大道二段137號

電話:02-29994633

潤滑

本電動工具毋需額外潤滑。

電動機電刷**DWE886**

請聯絡當地的維修中心檢查碳刷。

△ **警告：**為降低受傷的風險，打磨作業時務必使用適當的防護裝置，並佩戴護目鏡。

刻磨機配件

砂輪與磨頭

維修

為了確保產品安全可靠，修理、維護與調整作業（包括碳刷的檢查與更換）應由 DeWalt 原廠維修中心、DeWalt 授權維修中心或其他合格維修人員執行。請務必使用相同的替換零件。

