
DEWALT®

XR LI-ION

www.DEWALT.com

DCS570

English

5

繁體中文

18

한국어

29

Fig. A
圖 A
그림 A

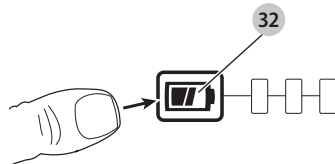
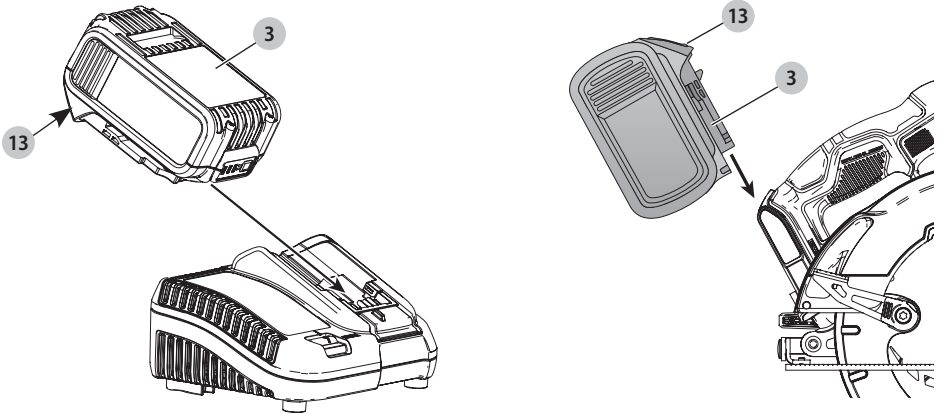
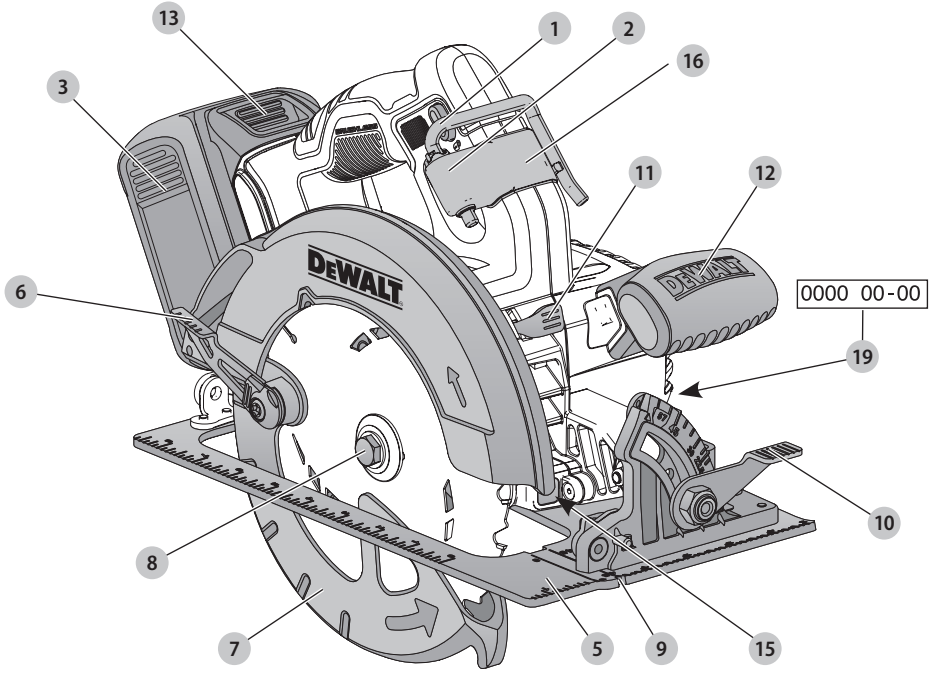


Fig. B
圖 B
그림 B

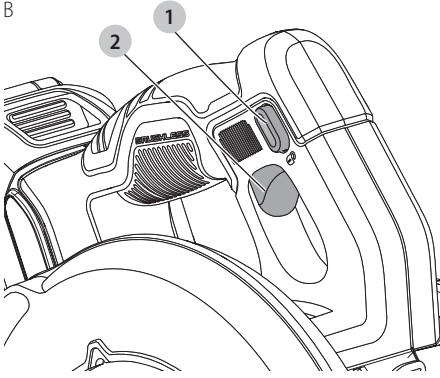


Fig. C
圖 C
그림 C

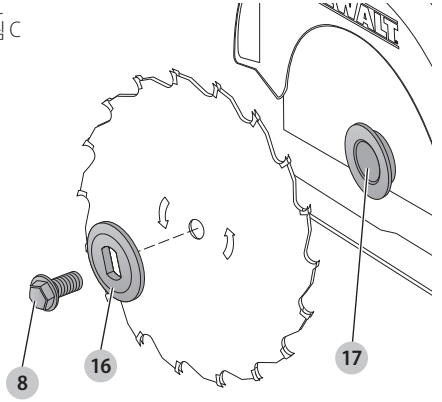


Fig. D
圖 D
그림 D

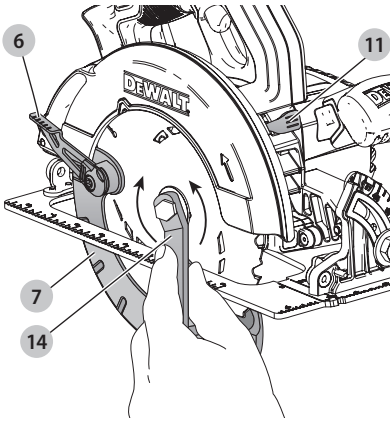


Fig. E
圖 E
그림 E

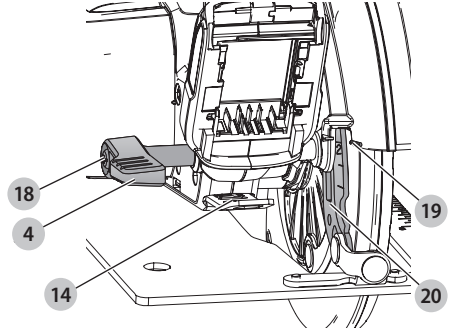


Fig. F
圖 F
그림 F

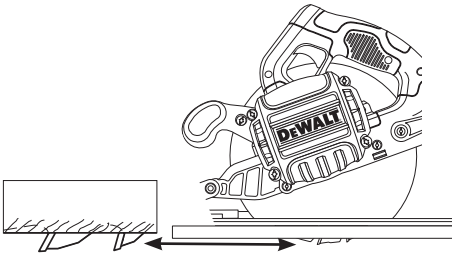


Fig. G
圖 G
그림 G

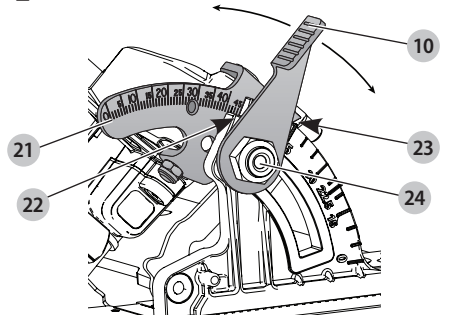


Fig. H
圖 H
그림 H

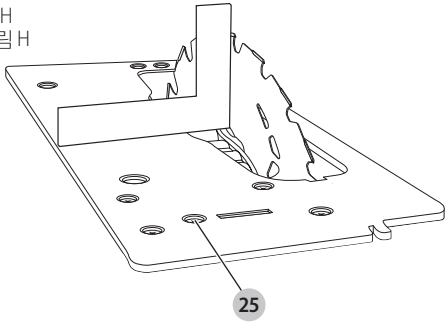


Fig. I
圖 I
그림 I

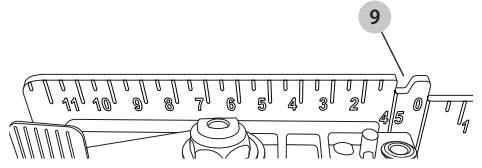


Fig. J
圖 J
그림 J

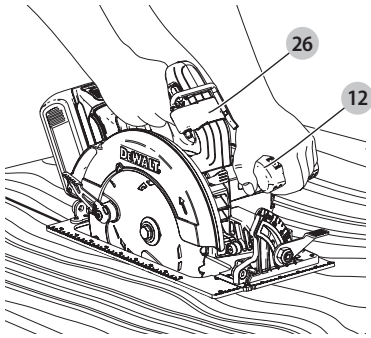


Fig. K
圖 K
그림 K

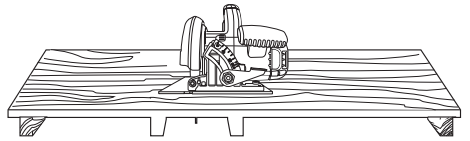


Fig. L
圖 L
그림 L

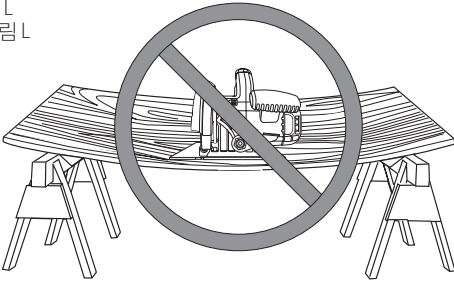


Fig. M
圖 M
그림 M



Fig. N
圖 N
그림 N

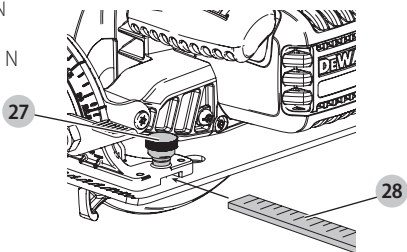


Fig. O
圖 O
그림 O

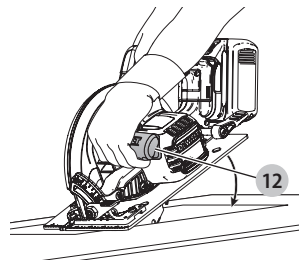


Fig. P
圖 P
그림 P

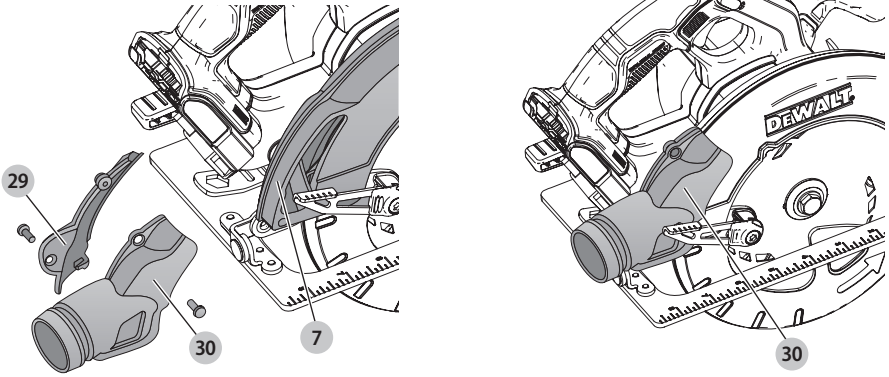
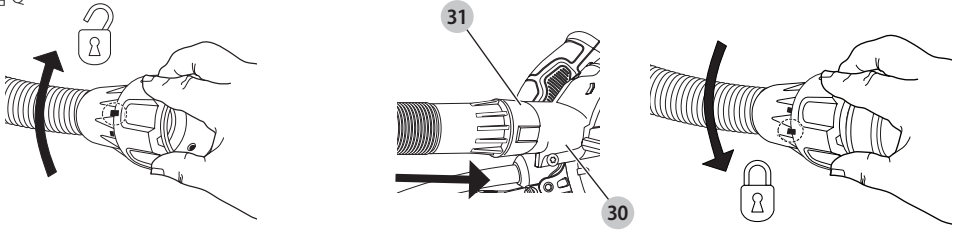


Fig. Q
圖 Q
그림 Q



CORDLESS CIRCULAR SAW

DCS570

Congratulations!

You have chosen a DEWALT tool. Years of experience, thorough product development and innovation make DEWALT one of the most reliable partners for professional power tool users.

Technical Data

		DCS570-B1	DCS570-TW	DCS570-KR
Voltage	V _{DC}	18(20 Max)	18(20 Max)	18(20 Max)
Battery type		Li-Ion	Li-Ion	Li-Ion
No-load speed	min ⁻¹	5500	5500	5500
Blade diameter	mm	184	190	184
Maximum depth of cut	mm	64	67	64
Blade bore	mm	20	25.4	19
Bevel angle adjustment	°	57	57	57
Weight (without battery pack)	kg	3.6	3.6	3.6

Batteries				Chargers / Charge Times (Minutes)							
Cat#	V _{DC}	Ah	Weight(kg)	DCB104	DCB107	DCB112	DCB115	DCB117	DCB118	DCB132	DCB1112
DCB546/DCB606	18/54 (20/60 Max)	6.0/2.0	1.05	60	270	170	90	40	60	90	40
DCB547/DCB609	18/54 (20/60 Max)	9.0/3.0	1.46	75*	420	270	135*	60	75*	135*	60
DCB548/DCB612	18/54 (20/60 Max)	12.0/4.0	1.44	120	540	350	180	80	120	180	80
DCB181	18 (20 Max)	1.5	0.35	22	70	45	22	22	22	22	22
DCB182/DCB204	18 (20 Max)	4.0	0.61	60/40**	185	120	60	60/40**	60/40**	60	60/40**
DCB183/DCB203	18 (20 Max)	2.0	0.40	30	90	60	30	30	30	30	30
DCB184/DCB205	18 (20 Max)	5.0	0.62	75/50**	240	150	75	75/50**	75/50**	75	75/50**
DCB185	18 (20 Max)	1.3	0.35	22	60	40	22	22	22	22	22
DCB187	18 (20 Max)	3.0	0.54	45	140	90	45	45	45	45	45
DCB189/DCB240	18 (20 Max)	4.0	0.54	60	185	120	60	60	60	60	60
DCB186	18 (20 Max)	6.0	0.95	60	270	170	90	60	60	90	60

*Date code 201811475B or later

**Date code 201536 or later



WARNING: To reduce the risk of injury, read the instruction manual.

Definitions: Safety Guidelines

The definitions below describe the level of severity for each signal word. Please read the manual and pay attention to these symbols.



DANGER: Indicates an imminently hazardous situation which, if not avoided, **will** result in **death or serious injury**.



WARNING: Indicates a potentially hazardous situation which, if not avoided, **could** result in **death or serious injury**.



CAUTION: Indicates a potentially hazardous situation which, if not avoided, **may** result in **minor or moderate injury**.



NOTICE: Indicates a practice **not related to personal injury** which, if not avoided, **may** result in **property damage**.



Denotes risk of fire.



Denotes risk of electric shock.

General Power Tool Safety Warnings



WARNING: Read all safety warnings and all instructions. Failure to follow the warnings and instructions may result in electric shock, fire and/or serious injury.

SAVE ALL WARNINGS AND INSTRUCTIONS FOR FUTURE REFERENCE

The term "power tool" in the warnings refers to your mains-operated (corded) power tool or battery-operated (cordless) power tool.

Work area safety

- a) **Keep work area clean and well lit.** Cluttered or dark areas invite accidents.
- b) **Do not operate power tools in explosive atmospheres, such as in the presence of flammable liquids, gases or dust.** Power tools create sparks which may ignite the dust or fumes.
- c) **Keep children and bystanders away while operating a power tool.** Distractions can cause you to lose control.

Electrical safety

- d) **Power tool plugs must match the outlet. Never modify the plug in any way. Do not use any adapter plugs with earthed (grounded) power tools.** Unmodified plugs and matching outlets will reduce risk of electric shock.
- e) **Avoid body contact with earthed or grounded surfaces such as pipes, radiators, ranges and refrigerators.** There is an increased risk of electric shock if your body is earthed or grounded.
- f) **Do not expose power tools to rain or wet conditions.** Water entering a power tool will increase the risk of electric shock.
- g) **Do not abuse the cord. Never use the cord for carrying, pulling or unplugging the power tool. Keep cord away from heat, oil, sharp edges or moving parts.** Damaged or entangled cords increase the risk of electric shock.
- h) **When operating a power tool outdoors, use an extension cord suitable for outdoor use.** Use of a cord suitable for outdoor use reduces the risk of electric shock.
- i) **If operating a power tool in a damp location is unavoidable, use a residual current device (RCD) protected supply.** Use of an RCD reduces the risk of electric shock.

Personal safety

- j) **Stay alert, watch what you are doing and use common sense when operating a power tool. Do not use a power tool while you are tired or under the influence of drugs, alcohol or medication.** A moment of inattention while operating power tools may result in serious personal injury.
- k) **Use personal protective equipment. Always wear eye protection.** Protective equipment such as dust mask,

non-skid safety shoes, hard hat, or hearing protection used for appropriate conditions will reduce personal injuries.

- l) **Prevent unintentional starting. Ensure the switch is in the off position before connecting to power source and/or battery pack, picking up or carrying the tool.** Carrying power tools with your finger on the switch or energising power tools that have the switch on invites accidents.
- m) **Remove any adjusting key or wrench before turning the power tool on.** A wrench or a key left attached to a rotating part of the power tool may result in personal injury.
- n) **Do not overreach. Keep proper footing and balance at all times.** This enables better control of the power tool in unexpected situations.
- o) **Dress properly. Do not wear loose clothing or jewellery. Keep your hair, clothing and gloves away from moving parts.** Loose clothes, jewellery or long hair can be caught in moving parts.
- p) **If devices are provided for the connection of dust extraction and collection facilities, ensure these are connected and properly used.** Use of dust collection can reduce dust-related hazards.
- q) **Do not let familiarity gained from frequent use of tools allow you to become complacent and ignore tool safety principles.** A careless action can cause severe injury within a fraction of a second.

Power tool use and care

- r) **Do not force the power tool. Use the correct power tool for your application.** The correct power tool will do the job better and safer at the rate for which it was designed.
- s) **Do not use the power tool if the switch does not turn it on and off.** Any power tool that cannot be controlled with the switch is dangerous and must be repaired.
- t) **Disconnect the plug from the power source and/or the battery pack from the power tool before making any adjustments, changing accessories, or storing power tools.** Such preventive safety measures reduce the risk of starting the power tool accidentally.
- u) **Store idle power tools out of the reach of children and do not allow persons unfamiliar with the power tool or these instructions to operate the power tool.** Power tools are dangerous in the hands of untrained users.
- v) **Maintain power tools. Check for misalignment or binding of moving parts, breakage of parts and any other condition that may affect the power tool's operation. If damaged, have the power tool repaired before use.** Many accidents are caused by poorly maintained power tools.
- w) **Keep cutting tools sharp and clean.** Properly maintained cutting tools with sharp cutting edges are less likely to bind and are easier to control.

- x) **Use the power tool, accessories and tool bits etc., in accordance with these instructions taking into account the working conditions and the work to be performed.** Use of the power tool for operations different from those intended could result in a hazardous situation.
- y) **Keep handles and grasping surfaces dry, clean and free from oil and grease.** Slippery handles and grasping surfaces do not allow for safe handling and control of the tool in unexpected situations

Battery tool use and care

- z) **Recharge only with the charger specified by the manufacturer.** A charger that is suitable for one type of battery pack may create a risk of fire when used with another battery pack.
- aa) **Use power tools only with specifically designated battery packs.** Use of any other battery packs may create a risk of injury and fire.
- ab) **When battery pack is not in use, keep it away from other metal objects like paper clips, coins, keys, nails, screws or other small metal objects that can make a connection from one terminal to another.** Shorting the battery terminals together may cause burns or a fire.
- ac) **Under abusive conditions, liquid may be ejected from the battery; avoid contact. If contact accidentally occurs, flush with water. If liquid contacts eyes, additionally seek medical help.** Liquid ejected from the battery may cause irritation or burns.
- ad) **Do not use a battery pack or tool that is damaged or modified.** Damaged or modified batteries may exhibit unpredictable behaviour resulting in fire, explosion or risk of injury.
- ae) **Do not expose a battery pack or tool to fire or excessive temperature.** Exposure to fire or temperature above 130 °C may cause explosion.
- af) **Follow all charging instructions and do not charge the battery pack or tool outside the temperature range specified in the instructions.** Charging improperly or at temperatures outside the specified range may damage the battery and increase the risk of fire.

Service

- ag) **Have your power tool serviced by a qualified repair person using only identical replacement parts.** This will ensure that the safety of the power tool is maintained.
- ah) **Never service damaged battery packs.** Service of battery packs should only be performed by the manufacturer or authorized service providers.

SAFETY INSTRUCTIONS FOR ALL SAWS

Cutting Procedures

- a) **⚠ DANGER: Keep hands away from cutting area and the blade. Keep your second hand on auxiliary handle, or motor housing.** If both hands are holding the saw, they cannot be cut by the blade.
- b) **Do not reach underneath the workpiece.** The guard cannot protect you from the blade below the workpiece.
- c) **Adjust the cutting depth to the thickness of the workpiece.** Less than a full tooth of the blade teeth should be visible below the workpiece.
- d) **Never hold piece being cut in your hands or across your leg while cutting. Secure the workpiece to a stable platform.** It is important to support the work properly to minimize body exposure, blade binding, or loss of control.
- e) **Hold the power tool by insulated gripping surfaces when performing an operation where the cutting tool may contact hidden wiring.** Contact with a "live" wire will also make exposed metal parts of the power tool "live" and could give the operator an electric shock.
- f) **When ripping always use a rip fence or straight edge guide.** This improves the accuracy of cut and reduces the chance of blade binding.
- g) **Always use blades with correct size and shape (diamond versus round) of arbour holes.** Blades that do not match the mounting hardware of the saw will run off-centre, causing loss of control.
- h) **Never use damaged or incorrect blade washers or bolt.** The blade washers and bolt were specially designed for your saw, for optimum performance and safety of operation.

FURTHER SAFETY INSTRUCTIONS FOR ALL SAWS

Kickback Causes and Related Warnings

- Kickback is a sudden reaction to a pinched, jammed or misaligned saw blade, causing an uncontrolled saw to lift up and out of the workpiece toward the operator;
- When the blade is pinched or jammed tightly by the kerf closing down, the blade stalls and the motor reaction drives the unit rapidly back toward the operator;
- If the blade becomes twisted or misaligned in the cut, the teeth at the back edge of the blade can dig into the top surface of the wood causing the blade to climb out of the kerf and jump back toward the operator.

Kickback is the result of saw misuse and/or incorrect operating procedures or conditions and can be avoided by taking proper precautions as given below:

- a) **Maintain a firm grip with both hands on the saw and position your arms to resist kickback forces. Position your body to either side of the blade, but not in line with the blade.** Kickback could cause the saw to jump backwards, but kickback forces can be controlled by the operator, if proper precautions are taken.
- b) **When blade is binding, or when interrupting a cut for any reason, release the trigger and hold the saw motionless in the material until the blade comes to a complete stop. Never attempt to remove the saw from the work or pull the saw backward while the blade is in motion or kickback may occur.** Investigate and take corrective actions to eliminate the cause of blade binding.

- c) **When restarting a saw in the workpiece, centre the saw blade in the kerf so that the saw teeth are not engaged into the material.** If saw blade binds, it may walk up or kickback from the workpiece as the saw is restarted.
 - d) **Support large panels to minimise the risk of blade pinching and kickback. Large panels tend to sag under their own weight.** Supports must be placed under the panel on both sides, near the line of cut and near the edge of the panel.
 - e) **Do not use dull or damaged blades.** Unsharpened or improperly set blades produce narrow kerf causing excessive friction, blade binding and kickback.
 - f) **Blade depth and bevel adjusting locking levers must be tight and secure before making cut.** If blade adjustment shifts while cutting, it may cause binding and kickback.
 - g) **Use extra caution when sawing into existing walls or other blind areas.** The protruding blade may cut objects that can cause kickback.
- **Do not use blades of larger or smaller diameter than recommended.** For the proper blade rating refer to the **Technical Data**. Use only the blades specified in this manual, complying with EN 847-1.
 - **Never use abrasive cut-off wheels.**
 - **Do not use water feed attachments.**
 - **Use clamps or another practical way to secure and support the workpiece to a stable platform.** Holding the work by hand or against your body leaves it unstable and may lead to loss of control.

Residual Risks

In spite of the application of the relevant safety regulations and the implementation of safety devices, certain residual risks cannot be avoided. These are:

- *Impairment of hearing.*
- *Risk of personal injury due to flying particles.*
- *Risk of burns due to accessories becoming hot during operation.*
- *Risk of personal injury due to prolonged use.*

SAFETY INSTRUCTIONS FOR SAWS WITH A PENDULUM BLADE GUARD

Lower Guard Function

- a) **Check the lower guard for proper closing before each use. Do not operate the saw if the lower guard does not move freely and close instantly. Never clamp or tie the lower guard into the open position. If the saw is accidentally dropped, the lower guard may be bent.** Raise the lower guard with the retracting handle and make sure it moves freely and does not touch the blade or any other part, in all angles and depths of cut.
- b) **Check the operation of the lower guard spring. If the guard and the spring are not operating properly, they must be serviced before use.** Lower guard may operate sluggishly due to damaged parts, gummy deposits, or a build-up of debris.
- c) **The lower guard should be retracted manually only for special cuts such as “plunge cuts” and “compound cuts”.** Raise the lower guard by retracting handle and as soon as blade enters the material, the lower guard must be released. For all other sawing, the lower guard should operate automatically.
- d) **Always observe that the lower guard is covering the blade before placing the saw down on bench or floor. An unprotected, coasting blade will cause the saw to walk backwards, cutting whatever is in its path.** Be aware of the time it takes for the blade to stop after switch is released.

Additional Safety Instructions for Circular Saws

- **Wear ear protectors.** Exposure to noise can cause hearing loss.
- **Wear a dust mask.** Exposure to dust particles can cause breathing difficulty and possible injury.

Electrical Safety

The electric motor has been designed for one voltage only. Always check that the battery pack voltage corresponds to the voltage on the rating plate. Also make sure that the voltage of your charger corresponds to that of your mains.



Your DeWALT charger is double insulated in accordance with IEC60335; therefore no earth wire is required.

If the supply cord is damaged, it must be replaced by a specially prepared cord available through the DeWALT service organisation.

Using an Extension Cable

An extension cord should not be used unless absolutely necessary. Use an approved extension cable suitable for the power input of your charger (see **Technical Data**). The minimum conductor size is 1 mm²; the maximum length is 30 m.

When using a cable reel, always unwind the cable completely.

SAVE THESE INSTRUCTIONS

Chargers

DeWALT chargers require no adjustment and are designed to be as easy as possible to operate.




Important Safety Instructions for All Battery Chargers

SAVE THESE INSTRUCTIONS: This manual contains important safety and operating instructions for compatible battery chargers (refer to **Technical Data**).

- *Before using charger, read all instructions and cautionary markings on charger, battery pack, and product using battery pack.*



WARNING: Shock hazard. Do not allow any liquid to get inside charger. Electric shock may result.

-  **WARNING:** We recommend the use of a residual current device with a residual current rating of 30mA or less.
-  **CAUTION:** Burn hazard. To reduce the risk of injury, charge only DEWALT rechargeable batteries. Other types of batteries may burst causing personal injury and damage.
-  **CAUTION:** Children should be supervised to ensure that they do not play with the appliance.
- NOTICE:** Under certain conditions, with the charger plugged into the power supply, the exposed charging contacts inside the charger can be shorted by foreign material. Foreign materials of a conductive nature such as, but not limited to, steel wool, aluminum foil or any buildup of metallic particles should be kept away from charger cavities. Always unplug the charger from the power supply when there is no battery pack in the cavity. Unplug charger before attempting to clean
- **DO NOT attempt to charge the battery pack with any chargers other than the ones in this manual.** The charger and battery pack are specifically designed to work together.
- **These chargers are not intended for any uses other than charging DEWALT rechargeable batteries.** Any other uses may result in risk of fire, electric shock or electrocution.
- **Do not expose charger to rain or snow.**
- **Pull by plug rather than cord when disconnecting charger.** This will reduce risk of damage to electric plug and cord.
- **Make sure that cord is located so that it will not be stepped on, tripped over, or otherwise subjected to damage or stress.**
- **Do not use an extension cord unless it is absolutely necessary.** Use of improper extension cord could result in risk of fire, electric shock, or electrocution.
- **Do not place any object on top of charger or place the charger on a soft surface that might block the ventilation slots and result in excessive internal heat.**
Place the charger in a position away from any heat source. The charger is ventilated through slots in the top and the bottom of the housing.
- **Do not operate charger with damaged cord or plug—** have them replaced immediately.
- **Do not operate charger if it has received a sharp blow, been dropped, or otherwise damaged in any way.** Take it to an authorised service centre.
- **Do not disassemble charger; take it to an authorised service centre when service or repair is required.** Incorrect reassembly may result in a risk of electric shock, electrocution or fire.
- **In case of damaged power supply cord the supply cord must be replaced immediately by the manufacturer, its service agent or similar qualified person to prevent any hazard.**
- **Disconnect the charger from the outlet before attempting any cleaning. This will reduce the risk of electric shock.** Removing the battery pack will not reduce this risk.
- **NEVER attempt to connect two chargers together.**

- **The charger is designed to operate on standard 220-240V household electrical power. Do not attempt to use it on any other voltage.** This does not apply to the vehicular charger.

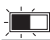





Charging a Battery (Fig. A)

1. Plug the charger into an appropriate outlet before inserting battery pack.
2. Insert the battery pack **3** into the charger, making sure the battery pack is fully seated in the charger. The red (charging) light will blink repeatedly indicating that the charging process has started.
3. The completion of charge will be indicated by the red light remaining ON continuously. The battery pack is fully charged and may be used at this time or left in the charger. To remove the battery pack from the charger, push the battery release button **13** on the battery pack.

NOTE: To ensure maximum performance and life of lithium-ion battery packs, charge the battery pack fully before first use.

Charger Operation

Refer to the indicators below for the charge status of the battery pack.

Charge Indicators	
	Charging 
	Fully Charged 
	Hot/Cold Pack Delay* 

*The red light will continue to blink, but a yellow indicator light will be illuminated during this operation. Once the battery pack has reached an appropriate temperature, the yellow light will turn off and the charger will resume the charging procedure.

The compatible charger(s) will not charge a faulty battery pack. The charger will indicate faulty battery by refusing to light or by displaying problem pack or charger blink pattern.

NOTE: This could also mean a problem with a charger.

If the charger indicates a problem, take the charger and battery pack to be tested at an authorised service centre.

Hot/Cold Pack Delay

When the charger detects a battery pack that is too hot or too cold, it automatically starts a Hot/Cold Pack Delay, suspending charging until the battery pack has reached an appropriate temperature. The charger then automatically switches to the pack charging mode. This feature ensures maximum battery pack life.

A cold battery pack will charge at a slower rate than a warm battery pack. The battery pack will charge at that slower rate throughout the entire charging cycle and will not return to maximum charge rate even if the battery pack warms.

The DCB118 charger is equipped with an internal fan designed to cool the battery pack. The fan will turn on automatically when the battery pack needs to be cooled. Never operate the charger if the fan does not operate properly or if ventilation slots are blocked. Do not permit foreign objects to enter the interior of the charger.

Electronic Protection System

XR Li-Ion tools are designed with an Electronic Protection System that will protect the battery pack against overloading, overheating or deep discharge.

The tool will automatically turn off if the Electronic Protection System engages. If this occurs, place the lithium-ion battery pack on the charger until it is fully charged.

Wall Mounting

These chargers are designed to be wall mountable or to sit upright on a table or work surface. If wall mounting, locate the charger within reach of an electrical outlet, and away from a corner or other obstructions which may impede air flow. Use the back of the charger as a template for the location of the mounting screws on the wall. Mount the charger securely using drywall screws (purchased separately) at least 25.4 mm long with a screw head diameter of 7–9 mm, screwed into wood to an optimal depth leaving approximately 5.5 mm of the screw exposed. Align the slots on the back of the charger with the exposed screws and fully engage them in the slots.

Charger Cleaning Instructions



WARNING: Shock hazard. Disconnect the charger from the AC outlet before cleaning. Dirt and grease may be removed from the exterior of the charger using a cloth or soft non-metallic brush. Do not use water or any cleaning solutions. Never let any liquid get inside the tool; never immerse any part of the tool into a liquid.

Battery Packs

Important Safety Instructions for All Battery Packs

When ordering replacement battery packs, be sure to include catalogue number and voltage.

The battery pack is not fully charged out of the carton. Before using the battery pack and charger, read the safety instructions below. Then follow charging procedures outlined.

READ ALL INSTRUCTIONS

- **Do not charge or use battery in explosive atmospheres, such as in the presence of flammable liquids, gases or dust.** Inserting or removing the battery from the charger may ignite the dust or fumes.
- **Never force battery pack into charger. Do not modify battery pack in any way to fit into a non-compatible charger as battery pack may rupture causing serious personal injury.**
- Charge the battery packs only in DEWALT chargers.
- **DO NOT splash or immerse in water or other liquids.**
- **Do not store or use the tool and battery pack in locations where the temperature may reach or exceed 40 °C (104 °F) (such as outside sheds or metal buildings in summer).**
- **Do not incinerate the battery pack even if it is severely damaged or is completely worn out.** The battery pack can explode in a fire. Toxic fumes and materials are created when lithium-ion battery packs are burned.

- **If battery contents come into contact with the skin, immediately wash area with mild soap and water.** If battery liquid gets into the eye, rinse water over the open eye for 15 minutes or until irritation ceases. If medical attention is needed, the battery electrolyte is composed of a mixture of liquid organic carbonates and lithium salts.
- **Contents of opened battery cells may cause respiratory irritation.** Provide fresh air. If symptoms persists, seek medical attention.



WARNING: Burn hazard. Battery liquid may be flammable if exposed to spark or flame.



WARNING: Never attempt to open the battery pack for any reason. If battery pack case is cracked or damaged, do not insert into charger. Do not crush, drop or damage battery pack. Do not use a battery pack or charger that has received a sharp blow, been dropped, run over or damaged in any way (i.e., pierced with a nail, hit with a hammer, stepped on). Electric shock or electrocution may result. Damaged battery packs should be returned to service centre for recycling.



WARNING: Fire hazard. Do not store or carry the battery pack so that metal objects can contact exposed battery terminals. For example, do not place the battery pack in aprons, pockets, tool boxes, product kit boxes, drawers, etc., with loose nails, screws, keys, etc.



CAUTION: When not in use, place tool on its side on a stable surface where it will not cause a tripping or falling hazard. Some tools with large battery packs will stand upright on the battery pack but may be easily knocked over.

Transportation



WARNING: Fire hazard. Transporting batteries can possibly cause fire if the battery terminals inadvertently come in contact with conductive materials. When transporting batteries, make sure that the battery terminals are protected and well insulated from materials that could contact them and cause a short circuit.

DEWALT batteries comply with all applicable shipping regulations as prescribed by industry and legal standards which include UN Recommendations on the Transport of Dangerous Goods; International Air Transport Association (IATA) Dangerous Goods Regulations, International Maritime Dangerous Goods (IMDG) Regulations, and the European Agreement Concerning The International Carriage of Dangerous Goods by Road (ADR). Lithium-ion cells and batteries have been tested to section 38.3 of the UN Recommendations on the Transport of Dangerous Goods Manual of Tests and Criteria.

In most instances, shipping a DEWALT battery pack will be excepted from being classified as a fully regulated Class 9 Hazardous Material. In general, only shipments containing a lithium-ion battery with an energy rating greater than 100 Watt Hours (Wh) will require being shipped as fully regulated Class 9. All lithium-ion batteries have the Watt Hour rating marked on the pack. Furthermore, due to regulation complexities, DEWALT does not recommend air shipping lithium-ion battery packs alone regardless of Watt Hour rating. Shipments of tools with

batteries (combo kits) can be air shipped as excepted if the Watt Hour rating of the battery pack is no greater than 100 Whr.

Regardless of whether a shipment is considered excepted or fully regulated, it is the shipper's responsibility to consult the latest regulations for packaging, labeling/marketing and documentation requirements.

The information provided in this section of the manual is provided in good faith and believed to be accurate at the time the document was created. However, no warranty, expressed or implied, is given. It is the buyer's responsibility to ensure that its activities comply with the applicable regulations.

Transporting the FLEXVOLT™ Battery

The DEWALT FLEXVOLT™ battery has two modes: **Use** and **Transport**.

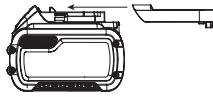
Use Mode: When the FLEXVOLT™ battery stands alone or is in a DEWALT 18V(20V Max) product, it will operate as an 18V(20V Max) battery. When the FLEXVOLT™ battery is in a 54V(60V Max) or a 108V(120V Max) (two 54V(60V Max) batteries) product, it will operate as a 54V(60V Max) battery.

Transport Mode: When the cap is attached to the FLEXVOLT™ battery, the battery is in Transport mode. Keep the cap for shipping.

When in Transport mode, strings of cells are electrically disconnected within the pack resulting in 3 batteries with a

lower Watt hour (Wh) rating as compared to 1 battery with a higher Watt hour rating. This increased quantity of 3 batteries with the lower Watt hour rating can exempt the pack from certain shipping regulations that are imposed upon the higher Watt hour batteries.

For example, the Transport Wh rating might indicate 3 x 36 Wh, meaning 3 batteries of 36 Wh each. The Use Wh rating might indicate 108 Wh (1 battery implied).



Example of Use and Transport Label Marking



Storage Recommendations

1. The best storage place is one that is cool and dry away from direct sunlight and excess heat or cold. For optimum battery performance and life, store battery packs at room temperature when not in use.
2. For long storage, it is recommended to store a fully charged battery pack in a cool, dry place out of the charger for optimal results.

NOTE: Battery packs should not be stored completely depleted of charge. The battery pack will need to be recharged before use.

Labels on Charger and Battery Pack

In addition to the pictographs used in this manual, the labels on the charger and the battery pack may show the following pictographs:



Read instruction manual before use.



See **Technical Data** for charging time.



Do not probe with conductive objects.



Do not charge damaged battery packs.



Do not expose to water.



Have defective cords replaced immediately.



Charge only between 4 °C and 40 °C.



Only for indoor use.



Discard the battery pack with due care for the environment.



Charge DEWALT battery packs only with designated DEWALT chargers. Charging battery packs other than the designated DEWALT batteries with a DEWALT charger may make them burst or lead to other dangerous situations.



Do not incinerate the battery pack.



USE (without transport cap). Example: Wh rating indicates 108 Wh (1 battery with 108 Wh).



TRANSPORT (with built-in transport cap). Example: Wh rating indicates 3 x 36 Wh (3 batteries of 36 Wh).

Battery Type

The DCS570 operates on a 18(20 Max) volt battery pack. These battery packs may be used: DCB181, DCB182, DCB183, DCB184, DCB185, DCB186, DCB187, DCB189, DCB203, DCB204, DCB205, DCB240, DCB546, DCB547, DCB548, DCB606, DCB609, DCB612. Refer to **Technical Data** for more information.

Package Contents

The package contains:

- 1 Circular saw
- 1 Circular saw blade
- 1 Blade wrench
- 1 Parallel fence
- 1 Dust extraction port
- 1 Charger (C, D, L, M, P, S, T, X models)

- 1 Li-Ion battery pack (C1, D1, L1, M1, P1, S1, T1, X1 models)
 - 2 Li-Ion battery packs (C2, D2, L2, M2, P2, S2, T2, X2 models)
 - 3 Li-Ion battery packs (C3, D3, L3, M3, P3, S3, T3, X3 models)
- 1 Instruction manual
- Check for damage to the tool, parts or accessories which may have occurred during transport.
 - Take the time to thoroughly read and understand this manual prior to operation.

Markings on Tool

The following pictograms are shown on the tool:



Read instruction manual before use.



Wear ear protection.



Wear eye protection.



Visible radiation. Do not stare into light.

Date Code Position (Fig. A)

The date code **19**, which also includes the year of manufacture, is printed into the housing.

Example:

2021 XX XX

Year of Manufacture

Description (Fig. A)



WARNING: Never modify the power tool or any part of it. Damage or personal injury could result.

- 1 Trigger switch lock-off button
- 2 Trigger switch
- 3 Battery pack
- 4 Depth adjustment lever (Fig. E)
- 5 Base plate
- 6 Lower blade guard retracting lever
- 7 Lower blade guard
- 8 Blade clamping screw
- 9 Kerf indicator
- 10 Bevel adjustment lever
- 11 Blade lock button
- 12 Auxiliary handle
- 13 Battery release button
- 14 Blade wrench (Fig. E)
- 15 Worklight
- 16 Rafer Hook

Intended Use

These heavy-duty circular saws are designed for professional wood cutting applications. Do not cut metal, plastic, concrete, masonry or fiber cement materials. **DO NOT** use water feed attachments with this saw. **DO NOT** use abrasive wheels or

blades. **DO NOT** use under wet conditions or in the presence of flammable liquids or gases.

These heavy-duty saws are professional power tools.

DO NOT let children come into contact with the tool.

Supervision is required when inexperienced operators use this tool.

- **Young children and the infirm.** This appliance is not intended for use by young children or infirm persons without supervision.
- This product is not intended for use by persons (including children) suffering from diminished physical, sensory or mental abilities; lack of experience, knowledge or skills unless they are supervised by a person responsible for their safety. Children should never be left alone with this product.

ASSEMBLY AND ADJUSTMENTS



WARNING: To reduce the risk of serious personal injury, turn tool off and disconnect battery pack before making any adjustments or removing/installing attachments or accessories. An accidental start-up can cause injury.



WARNING: Use only DEWALT battery packs and chargers.

Inserting and Removing the Battery Pack from the Tool (Fig. A)

NOTE: Make sure your battery pack **3** is fully charged.

To Install the Battery Pack into the Tool Handle

1. Align the battery pack **3** with the rails inside the tool's handle (Fig. A).
2. Slide it into the handle until the battery pack is firmly seated in the tool and ensure that you hear the lock snap into place.

To Remove the Battery Pack from the Tool

1. Press the release button **13** and firmly pull the battery pack out of the tool handle.
2. Insert battery pack into the charger as described in the charger section of this manual.

Fuel Gauge Battery Packs (Fig. A)

Some DEWALT battery packs include a fuel gauge which consists of three green LED lights that indicate the level of charge remaining in the battery pack.

To actuate the fuel gauge, press and hold the fuel gauge button **32**. A combination of the three green LED lights will illuminate designating the level of charge left. When the level of charge in the battery is below the usable limit, the fuel gauge will not illuminate and the battery will need to be recharged.

NOTE: The fuel gauge is only an indication of the charge left on the battery pack. It does not indicate tool functionality and is subject to variation based on product components, temperature and end-user application.

Changing Blades

To Install the Blade (Fig. C–E)

1. Remove the battery.
2. Using the lower guard lever **6**, retract the lower blade guard **7** and place blade on saw spindle against the inner clamp washer **17**, making sure that the blade will rotate in the proper direction (the direction of the rotation arrow on the saw blade and the teeth must point in the same direction as the direction of rotation arrow on the saw). Do not assume that the printing on the blade will always be facing you when properly installed. When retracting the lower blade guard to install the blade, check the condition and operation of the lower blade guard to assure that it is working properly. Make sure it moves freely and does not touch the blade or any other part, in all angles and depths of cut.
3. Place outer clamp washer **16** on saw spindle with the beveled edge facing out. Make sure the 30 mm diameter on the blade side of the clamp fits into the 30 mm hole in the saw blade to ensure centering of the blade.
4. Thread the blade clamping screw **8** onto the saw spindle by hand (screw has right-hand threads and must be turned clockwise to tighten).
5. Depress the blade lock **11** while turning the saw spindle with the blade wrench **14** stored underneath the battery compartment, until the blade lock engages and the blade stops rotating.
6. Tighten the blade clamping screw firmly with the blade wrench.

NOTICE: Never engage the blade lock while saw is running, or engage in an effort to stop the tool. Never turn the saw on while the blade lock is engaged. Serious damage to your saw will result.

To Replace the blade (Fig. C, D)

1. Remove the battery.
2. To loosen the blade clamping screw **8**, depress the blade lock **11** and turn the saw spindle with the blade wrench **14**, stored underneath the battery compartment, until the blade lock engages and the blade stops rotating. With the blade lock engaged, turn the blade clamping screw counterclockwise with the blade wrench (screw has right-hand threads and must be turned counterclockwise to loosen).
3. Remove the blade clamping screw **8** and outer clamp washer **16**. Remove old blade.
4. Clean any sawdust that may have accumulated in the guard or clamp washer area and check the condition and operation of the lower blade guard as previously outlined. Do not lubricate this area.
5. Select the proper blade for the application (refer to **Blades**). Always use blades that are the correct size (diameter) with the proper size and shape center hole for mounting on the saw spindle. Always assure that the maximum recommended speed (rpm) on the saw blade meets or exceeds the speed (rpm) of the saw.

6. Follow steps 1 through 5 under **To Install the Blade**, making sure that the blade will rotate in the proper direction.

Lower Blade Guard



WARNING: The lower blade guard is a safety feature that reduces the risk of serious personal injury. Never use the saw if the lower guard is missing, damaged, misassembled or not working properly. Do not rely on the lower blade guard to protect you under all circumstances. Your safety depends on following all warnings and precautions as well as proper operation of the saw. Check the lower blade guard for proper closing before each use. If the lower blade guard is missing or not working properly, have the saw serviced before using. To assure product safety and reliability, repair, maintenance and adjustment should be performed by an authorized service center or other qualified service organization, always using identical replacement parts.

Checking the Lower Guard (Fig. A)

1. Turn tool off and disconnect from power supply.
2. Rotate the lower guard lever (Fig. A, **6**) from the fully closed position to the fully open position.
3. Release the lever and observe the guard **7** return to the fully closed position.

The tool should be serviced by a qualified service center if it:

- fails to return to the fully closed position,
- moves intermittently or slowly, or
- contacts the blade or any part of the tool in all angles and depth of cut.

Blades



WARNING: To minimize the risk of eye injury, always use eye protection. Carbide is a hard but brittle material. Foreign objects in the workpiece such as wire or nails can cause tips to crack or break. Only operate saw when proper saw blade guard is in place. Mount blade securely in proper rotation before using, and always use a clean, sharp blade.



WARNING: Do not cut metal, plastic, concrete, masonry or fiber cement materials with this saw.

184 mm Diameter	
Application	Teeth
Rip	24
General Purpose	36
Finish	60

If you need assistance regarding blades, please contact your local DEWALT dealer.

Kickback

Kickback is a sudden reaction to a pinched, bound or misaligned saw blade, causing an uncontrolled saw to lift up and out of the workpiece toward the operator. When the blade is pinched or bound tightly by the kerf closing down, the blade stalls and the motor reaction drives the unit rapidly back toward the operator.

If the blade becomes twisted or misaligned in the cut, the teeth at the back edge of the blade can dig into the top surface of the wood causing the blade to climb out of the kerf and jump back toward the operator.

Kickback is more likely to occur when any of the following conditions exists.

1. IMPROPER WORKPIECE SUPPORT

- Sagging or improper lifting of the cut off piece can cause pinching of the blade and lead to kickback.
- Cutting through material supported at the outer ends only can cause kickback. As the material weakens it sags, closing down the kerf and pinching the blade (Fig. L).
- Cutting off a cantilevered or overhanging piece of material from the bottom up in a vertical direction can cause kickback. The falling cut off piece can pinch the blade.
- Cutting off long narrow strips (as in ripping) can cause kickback. The cut off strip can sag or twist closing the kerf and pinching the blade.
- Snagging the lower guard on a surface below the material being cut momentarily reduces operator control. The saw can lift partially out of the cut increasing the chance of blade twist.

2. IMPROPER DEPTH OF CUT SETTING ON SAW

- To make the most efficient cut, the blade should protrude only far enough to expose one-half of a tooth as shown in Figure F. This allows the base plate to support the blade and minimizes twisting and pinching in the material. See the section titled *Cutting Depth Adjustment*.

3. BLADE TWISTING (MISALIGNMENT IN CUT)

- Pushing harder to cut through a knot, a nail or a hard grain area can cause the blade to twist.
- Trying to turn the saw in the cut (trying to get back on the marked line) can cause blade twist.
- Overreaching or operating the saw with poor body control (out of balance), can result in twisting the blade.
- Changing hand grip or body position while cutting can result in blade twist.
- Backing up the saw to clear blade can lead to twist.

4. MATERIALS THAT REQUIRE EXTRA ATTENTION

- Wet timber
- Green timber (material freshly cut or not kiln dried)
- Pressure treated timber (material treated with preservatives or anti-rot chemicals)

5. USE OF DULL OR DIRTY BLADES

- Dull blades cause increased loading of the saw. To compensate, an operator will usually push harder which further loads the unit and promotes twisting of the blade in the kerf. Worn blades may also have insufficient body clearance which increases the chance of binding and increased loading.

6. LIFTING THE SAW WHEN MAKING A BEVEL CUT

- Bevel cuts require special operator attention to proper cutting techniques – especially guidance of the saw. Both

blade angle to the base plate and greater blade surface in the material increase the chance for binding and misalignment (twist) to occur.

7. RESTARTING A CUT WITH THE BLADE TEETH JAMMED AGAINST THE MATERIAL

- The saw should be brought up to full operating speed before starting a cut or restarting a cut after the unit has been stopped with the blade in the kerf. Failure to do so can cause stalling and kickback.

Any other conditions which could result in pinching, binding, twisting, or misalignment of the blade could cause kickback. Refer to the sections *Additional Specific Safety Rules for Circular Saws* and *Blades* for procedures and techniques that will minimize the occurrence of kickback.

Depth of Cut Adjustment (Fig. E–F)

- Raise the depth adjustment lever **4** to loosen.
- To obtain the correct depth of cut, align the appropriate mark on the depth adjustment strap **20** with notch **19** on the upper blade guard.
- Tighten the depth adjustment lever.
- For the most efficient cutting action using a carbide tipped saw blade, set the depth adjustment so that about one half of a tooth projects below the surface of the wood to be cut.
- A method of checking for the correct cutting depth is shown in Figure F. Lay a piece of the material you plan to cut along the side of the blade, as shown in the figure, and observe how much tooth projects beyond the material.

Adjusting Depth Adjustment Lever (Fig. E)

It may be desirable to adjust the depth adjustment lever **4**. It may loosen in time and hit the base plate before tightening.

To Tighten the Lever:

- Hold depth adjustment lever **4** and loosen the locknut **18**.
- Adjust the depth adjustment lever by rotating it in the desired direction about 1/8 of a revolution.
- Retighten nut.

Bevel Angle Adjustment (Fig. A, G)

The bevel angle adjustment mechanism can be adjusted between 0° and 57°.

To achieve better accuracy in cutting, use the fine adjustment markings located on the pivot bracket **21**.

- Raise the bevel adjustment lever **10** to loosen.
- Tilt the base plate to the desired angle by aligning the fine bevel pointer **22** with the desired angle mark on the pivot bracket **21**.
- Lower the bevel adjustment lever to retighten.

Bevel Detent (Fig. A, G)

The DCS570 is equipped with a bevel detent feature. As you tilt the base plate **5** you will hear a click and feel the base plate stop at both 22.5 and 45 degrees. If either of these is the desired angle, retighten the lever **10** by lowering it. If you desire another angle, continue tilting the base plate until the

coarse bevel pointer **23** or the fine pointer **22** aligns with the desired mark.

Cut Length Indicator (Fig. A)

The markings on the side of the base plate **5** show the length of the slot being cut into the material at the full depth of the cut. The markings are in increments of 5 mm.

Kerf Indicator (Fig. I)

The front of the saw base plate has a kerf indicator **9** for vertical and bevel cutting. This indicator enables you to guide the saw along cutting lines penciled on the material being cut. The kerf indicator lines up with the left (outer) side of the saw blade, which makes the slot or “kerf” cut by the moving blade fall to the right of the indicator. Guide along the penciled cutting line so that the kerf falls into the waste or surplus material.

Mounting and Adjusting the Parallel Fence (Fig. N)

The parallel fence **28** is used for cutting parallel to the edge of the workpiece.

Mounting

1. Slacken the parallel fence adjustment knob **27** to allow the parallel fence to pass.
2. Insert the parallel fence **28** in the base plate as shown.
3. Tighten the parallel fence adjustment knob **27**.

Adjusting

1. Slacken the fence adjustment knob **27** and set the parallel fence **28** to the desired width. The adjustment can be read on the parallel fence scale.
2. Tighten the fence adjustment knob **27**.

Mounting the Dust Extraction Port (Fig. A, P)

Your circular saw is supplied with a dust extraction port.

To Install the Dust Extraction Port

1. Fully loosen depth adjustment lever **4**.
2. Place the base plate **5** in the lowest position.
3. Align the left half of the dust extraction port **29** over upper blade guard **7** as shown. Be sure to insert the tab into the casting notch on the tool. When installed correctly, it will snap fully over the original depth of cut pointer.
4. Align the right-hand piece **30** with the left.
5. Insert screws and tighten securely.

Prior to Operation

- Make sure the guards have been mounted correctly. The saw blade guard must be in closed position.
- Make sure the saw blade rotates in the direction of the arrow on the blade.
- Do not use excessively worn saw blades.

OPERATION

Instructions for Use



WARNING: Always observe the safety instructions and applicable regulations.



WARNING: To reduce the risk of serious personal injury, turn tool off and disconnect battery pack before making any adjustments or removing/installing attachments or accessories. An accidental start-up can cause injury.

Proper Hand Position (Fig. J)



WARNING: To reduce the risk of serious personal injury, ALWAYS use proper hand position as shown.



WARNING: To reduce the risk of serious personal injury, ALWAYS hold securely in anticipation of a sudden reaction.

Proper hand position requires one hand on the main handle **26**, with the other hand on the auxiliary handle **12**.

LED Worklight (Fig. A)

The LED worklight **15** is activated when the trigger switch is depressed. When the trigger is released, the worklight will stay illuminated for up to 20 seconds.

NOTE: The worklight is for lighting the immediate work surface and is not intended to be used as a flashlight.

Switching On and Off (Fig. B)

For safety reasons the trigger switch **2** of your tool is equipped with a lock-off button **1**.

Press the lock-off button to unlock the tool.

To run the tool, press the trigger switch **2**. As soon as the trigger switch is released, the lock-off switch is automatically activated to prevent unintended starting of the machine.

NOTICE: Do not switch the tool ON or OFF when the saw blade touches the workpiece or other materials.

Workpiece Support (Fig. J–M)



WARNING: To reduce the risk of serious personal injury, support the work properly and hold the saw firmly to prevent loss of control.

Figures J and K show proper sawing position. Figures L and M show an unsafe condition. Hands should be kept away from cutting area, and power cord is positioned clear of the cutting area so that it will not get caught or hung up on the work.

To avoid kickback, ALWAYS support board or panel NEAR the cut, (Fig. J and K). DON'T support board or panel away from the cut (Fig. L and M). When operating the saw, keep the cord away from the cutting area and prevent it from becoming hung up on the work piece.

ALWAYS DISCONNECT SAW BEFORE MAKING ANY ADJUSTMENTS! Place the work with its “good” side—the one on which appearance is most important—down. The saw cuts upward, so any splintering will be on the work face that is up when you saw it.

Cutting (Fig. J)



WARNING: Never attempt to use this tool by resting it upside down on a work surface and bringing the material to the tool. Always securely clamp the workpiece and bring the tool to the workpiece, securely holding the tool with two hands as shown in Figure J.

Place the wider portion of the saw base plate on that part of the work piece which is solidly supported, not on the section that will fall off when the cut is made. As examples, Figure J illustrates the RIGHT way to cut off the end of a board. Always clamp work. Don't try to hold short pieces by hand! Remember to support cantilevered and overhanging material. Use caution when sawing material from below.

Be sure saw is up to full speed before blade contacts material to be cut. Starting saw with blade against material to be cut or pushed forward into kerf can result in kickback. Push the saw forward at a speed which allows the blade to cut without laboring. Hardness and toughness can vary even in the same piece of material, and knotty or damp sections can put a heavy load on the saw. When this happens, push the saw more slowly, but hard enough to keep working without much decrease in speed. Forcing the saw can cause rough cuts, inaccuracy, kickback, and over-heating of the motor. Should your cut begin to go off the line, don't try to force it back on. Release the switch and allow blade to come to a complete stop. Then you can withdraw the saw, sight anew, and start a new cut slightly inside the wrong one. In any event, withdraw the saw if you must shift the cut. Forcing a correction inside the cut can stall the saw and lead to kickback.

IF SAW STALLS, RELEASE THE TRIGGER AND BACK THE SAW UNTIL IT IS LOOSE. BE SURE BLADE IS STRAIGHT IN THE CUT AND CLEAR OF THE CUTTING EDGE BEFORE RESTARTING.

As you finish a cut, release the trigger and allow the blade to stop before lifting the saw from the work. As you lift the saw, the spring-tensioned telescoping guard will automatically close under the blade. Remember the blade is exposed until this occurs. Never reach under the work for any reason. When you have to retract the telescoping guard manually (as is necessary for starting pocket cuts) always use the retracting lever.

NOTE: When cutting thin strips, be careful to ensure that small cutoff pieces don't hang up on inside of lower guard.

Pocket Cutting (Fig. O)



WARNING: Never tie the blade guard in a raised position. Never move the saw backwards when pocket cutting. This may cause the unit to raise up off the work surface which could cause injury.

A pocket cut is one that is made in a floor, wall or other flat surface.

1. Adjust the saw base plate so the blade cuts at desired depth.
2. Tilt the saw forward and rest front of the base plate on material to be cut.
3. Using the lower guard lever, retract lower blade guard to an upward position. Lower rear of base plate until blade teeth almost touch cutting line.

4. Release the blade guard (its contact with the work will keep it in position to open freely as you start the cut). Remove hand from guard lever and firmly grip auxiliary handle **12**, as shown in Figure O. Position your body and arm to allow you to resist kickback if it occurs.
5. Make sure blade is not in contact with cutting surface before starting saw.
6. Start the motor and gradually lower the saw until its base plate rests flat on the material to be cut. Advance saw along the cutting line until cut is completed.
7. Release trigger and allow blade to stop completely before withdrawing the blade from the material.
8. When starting each new cut, repeat as above.

Dust Extraction (Fig. Q)



WARNING: Risk of dust inhalation. To reduce the risk of personal injury, ALWAYS wear an approved dust mask.

A dust extraction port **30** is supplied with your tool.

The Dust Extraction Adaptor **31** allows you to connect the tool to an external dust extractor, either using the AirLock™ system (DWV9000-XJ), or a standard 35 mm dust extractor fitment.



WARNING: ALWAYS use a vacuum extractor designed in compliance with the applicable directives regarding dust emission when sawing wood. Vacuum hoses of most common vacuum cleaners will fit directly into the dust extraction outlet.

MAINTENANCE

Your DEWALT power tool has been designed to operate over a long period of time with a minimum of maintenance. Continuous satisfactory operation depends upon proper tool care and regular cleaning.



WARNING: To reduce the risk of serious personal injury, turn tool off and disconnect battery pack before making any adjustments or removing/installing attachments or accessories. An accidental start-up can cause injury.

The charger and battery pack are not serviceable.



Lubrication

Self lubricating ball and roller bearings are used in the tool and relubrication is not required. However, it is recommended that, once a year, you take or send the tool to a service center for a thorough cleaning, inspection and lubrication of the gear case.



Cleaning



WARNING: Blow dirt and dust out of the main housing with dry air as often as dirt is seen collecting in and around the air vents. Wear approved eye protection and approved dust mask when performing this procedure.



WARNING: Never use solvents or other harsh chemicals for cleaning the non-metallic parts of the tool. These

chemicals may weaken the materials used in these parts. Use a cloth dampened only with water and mild soap. Never let any liquid get inside the tool; never immerse any part of the tool into a liquid.

Lower Guard

The lower guard should always rotate and close freely from a fully open to fully closed position. Always check for correct operation before cutting by fully opening the guard and letting it close. If the guard closes slowly or not completely, it will need cleaning or servicing. Do not use the saw until it functions correctly. To clean the guard, use dry air or a soft brush to remove all accumulated sawdust or debris from the path of the guard and from around the guard spring. Should this not correct the problem, it will need to be serviced by an authorized service center.

Base Plate Adjustment (Fig. G, H)

Your base plate has been factory set to assure that the blade is perpendicular to the base plate. If after extended use you need to re-align the blade, follow the directions below:

Adjusting for 90 Degree Cuts

1. Return the saw to 0 degrees bevel.
2. Place the saw on its side, and retract the lower guard.
3. Set the depth of cut to 51 mm.
4. Loosen the bevel adjustment lever (10, Fig. G). Place a square against the blade and the base plate as shown in Figure H.
5. Using a wrench, turn the set screw (25, Fig. H) on the underside of the base plate until the blade and the base plate are both in flush contact with the square. Retighten the bevel adjustment lever.

Adjusting Bevel Adjustment Lever

It may be desirable to adjust the bevel adjustment lever 10. It may loosen in time and hit the base plate before tightening.

To Tighten the Lever:

1. Hold the bevel adjustment lever 10 and loosen the bevel locknut 24.
2. Adjust the bevel adjustment lever by rotating it in the desired direction about 1/8 of a revolution.
3. Retighten nut.

Blades

A dull blade will cause inefficient cutting, overload on the saw motor, excessive splintering and increase the possibility of kickback. Change blades when it is no longer easy to push the saw through the cut, when the motor is straining, or when excessive heat is built up in the blade. It is a good practice to keep extra blades on hand so that sharp blades are available for immediate use. Dull blades can be sharpened in most areas. Hardened gum on the blade can be removed with kerosene, turpentine, or oven cleaner. Anti-stick coated blades can be used in applications where excessive build-up is encountered, such as pressure treated and green timber.

Optional Accessories



WARNING: Since accessories, other than those offered by DEWALT, have not been tested with this product, use of such accessories with this tool could be hazardous. To reduce the risk of injury, only DEWALT recommended accessories should be used with this product.

DO NOT USE WATER FEED ATTACHMENTS WITH THIS SAW. VISUALLY EXAMINE CARBIDE BLADES BEFORE USE. REPLACE IF DAMAGED.

Consult your dealer for further information on the appropriate accessories.

Protecting the Environment



Separate collection. Products and batteries marked with this symbol must not be disposed of with normal household waste.

Products and batteries contain materials that can be recovered or recycled reducing the demand for raw materials. Please recycle electrical products and batteries according to local provisions. Further information is available at www.2helpU.com.

Rechargeable Battery Pack

This long life battery pack must be recharged when it fails to produce sufficient power on jobs which were easily done before. At the end of its technical life, discard it with due care for our environment:

- Run the battery pack down completely, then remove it from the tool.
- Li-Ion cells are recyclable. Take them to your dealer or a local recycling station. The collected battery packs will be recycled or disposed of properly.

After Service and Repair

DEWALT service centers are staffed with trained personnel to provide customers with efficient and reliable product service. We do not take any responsibility when you have repaired in unauthorized service center. You can refer to the leaflet of CONTACT CENTER LOCATOR in product package and contact us through hotline, website or social media to find the nearest DEWALT service center around you.

無碳刷圓鋸機

DCS570

恭喜！

感謝您選購 DeWALT 工具。憑藉多年的經驗、完善的產品開發與創新，DeWALT 已成為專業電動工具使用者最可靠的合作夥伴之一。請注意！各地區上市產品/配件不盡相同，請依台灣繁體中文說明書的內容為主。

注意：20V Max 為最大初始電池電壓（無負載測量），標稱電壓為 18V。60V Max 為最大初始電池電壓（無負載測量），標稱電壓為 54V。

技術資料

		DCS570
最大/標稱 電壓	伏特 _{直流}	18(20V Max)
電池類型		鋰離子電池
空載轉速	轉/分	5500
鋸片直徑	公釐	190
最大切割深度	公釐	67
鋸片孔徑	公釐	25.4
斜角調整	°	57
重量（不包括電池組）	千克	3.6

注意：表示一種非人身傷害的行為，若未能避免，可能導致財產損失。



表示觸電危險。

電池				充電器 / 充電時間（分鐘）					
目錄號	伏特 _{直流}	安時	重量 千克	DCB107	DCB113	DCB115	DCB118	DCB132	DCB119
DCB546/DCB606	18/54(20/60 Max)	6.0/2.0	1.05	270	140	90	60	90	X
DCB547/DCB609	18/54(20/60 Max)	9.0/3.0	1.25	420	220	140	85	140	X
DCB181	18(20 Max)	1.5	0.35	70	35	22	22	22	45
DCB182/DCB204	18(20 Max)	4.0	0.61	185	100	60	60	60	120
DCB183/B	18(20 Max)	2.0	0.40	90	50	30	30	30	60
DCB184/B/DCB205	18(20 Max)	5.0	0.62	240	120	75	75	75	150
DCB185	18(20 Max)	1.3	0.35	60	30	22	22	22	X
DCB187	18(20 Max)	3.0	0.48	140	70	45	45	45	90



警告：為了降低受傷的風險，必須仔細閱讀使用手冊。

定義：安全指南

以下定義描述了每一個詞彙的嚴重程度。請閱讀本手冊並注意這些符號。



危險：表示緊急危險狀況，若未能避免，將導致死亡或嚴重傷害。



警告：表示潛在危險情況，若未能避免，可能導致死亡或嚴重傷害。



小心：表示潛在危險情況，若未能避免，可能導致輕微或中度傷害。



表示火災危險。

電動工具一般安全警告



警告：請閱讀所有安全警告及使用指示。不遵循這些警告及指示可能會導致觸電、火災及/或嚴重傷害。

請妥善保存所有警告及指示以備將來查閱

警告中的名詞「電動工具」是指電源驅動（插電）電動工具，或者電池驅動（充電）電動工具。

工作場地安全

- a) 請保持工作場地清潔明亮。混亂或黑暗的場地會引發事故。
- b) 請勿在易爆環境，如有易燃液體、氣體或粉塵的環境中操作電動工具。電動工具產生的火花會點燃粉塵或氣體。
- c) 請等待兒童和旁觀者離開之後才操縱電動工具。分心會導致您疏於控制。

電氣安全

- d) 電動工具插頭必須與插座相符。切勿以任何方式改裝插頭。需接地的電動工具不能使用任何配接器插頭。未經改裝的插頭和相符的插座可以減少觸電危險。
- e) 避免人體接觸接地表面，如管道、散熱片、爐灶和冰箱。若您的身體接地，會增加觸電危險。
- f) 不得將電動工具暴露在雨中或潮濕環境中。水進入電動工具會增加觸電危險。
- g) 請勿濫用電線。請勿使用電線來搬運、拉動電動工具或拔出插頭。讓電線遠離熱、油、銳邊和活動部件。受損或纏繞的電線會增加觸電危險。
- h) 若要在戶外使用電動工具，請使用適合戶外使用的延長電線。使用適合戶外使用的電線可減少觸電危險。
- i) 若必須在潮濕場合使用電動工具，請使用漏電保護器 (RCD)。使用 RCD 可降低觸電危險。

人身安全

- j) 保持警覺；在操作電動工具時，請留意所執行的操作並按照一般的程式執行。請勿在疲倦或在受到毒品、酒精或藥品的影響時使用電動工具。操作電動工具期間注意力分散會導致嚴重人身傷害。
- k) 使用個人防護裝置。始終佩戴護目裝置。防護裝置，例如在適當條件下使用的防塵面具、防滑安全鞋、安全帽或聽力保護等裝置可減少人身傷害。
- l) 避免意外啟動。連接電源及/或電池組、舉拾或搬運電動工具之前，請確定開關處於關閉位置。若搬運電動工具時將手指放在開關上，或者在電動工具開關開啟時將插頭插入電源插座，這兩種行為都會引發事故。
- m) 啟動電動工具之前，請卸下所有的調整鑰匙或扳手。遺留在電動工具旋轉部件上的扳手或鑰匙會導致人身傷害。
- n) 不要過度伸張雙手。時刻注意腳下與身體的平衡。如此即可在發生意外的情況下更好地控制電動工具。
- o) 適當穿著。請勿穿寬鬆衣服或佩戴飾品。讓頭髮、衣服和手套遠離活動部件。寬鬆衣服、佩飾和長髮可能會捲入活動部件。
- p) 若配備用於連接排屑和集塵設備的裝置，請確定正確連接和使用這些裝置。使用集塵設備可減少與粉塵有關的危險。

電動工具的使用與注意事項

- q) 請勿超負荷使用電動工具。請根據您的應用使用正確的電動工具。若使用的電動工具正確無誤，該工具能以設計額定值更有效、更安全地執行工作。
- r) 若開關不能開啟或關閉電源，請勿使用該電動工具。若開關無法控制電動工具，則電動工具存在危險，必須予以維修。
- s) 在執行任何調整、更換配件或儲存工具之前，必須從電源上拔掉插頭及/或卸下電池組。這類防護性措施可降低電動工具意外啟動的風險。
- t) 將閒置的電動工具儲存在兒童無法接觸的地方，並且不要讓不熟悉電動工具或對這些使用指示不瞭解的人員操作電動工具。電動工具在未經培訓的使用者手中會發生危險。
- u) 維護電動工具。檢查活動部件是否對準或卡住、破損情況以及是否存在影響電動工具運行的其他情況。若有損毀，必須在使用之前修理電動工具。許多事故都是由於電動工具欠缺維護所導致。
- v) 保持切削工具鋒利和清潔。妥善維護的帶利刃的切削工具不會輕易卡住並可更輕鬆控制。
- w) 使用電動工具、配件和工具刀頭等時，請遵循這些指示使用，且指示須包含工作環境和所要執行工作的注意事項。不按照設計目的使用電動工具會導致危險。

電池工具的使用與注意事項

- x) 只能使用製造商指定的充電器為電池充電。使用僅適合一種電池組的充電器為其他類型的電池組充電會導致火災危險。
- y) 請使用原廠的電動工具電池組。使用其他非原廠的電池組會導致人身傷害和火災危險。
- z) 不使用電池組時，請將其遠離迴紋針、硬幣、鑰匙、釘子、螺絲以及其他可連通電池兩極的金屬物品。將電池兩極短路會導致灼傷或火災。
- aa) 濫用電池的情況下，液體會從電池中噴出；避免與液體接觸。若不小心接觸液體，請用清水沖洗。若液體噴濺到眼睛上，沖洗之後還要進行治療。從電池噴出的液體會刺激皮膚或造成灼傷。

檢修

- ab) 維修本電動工具時，必須由合格的維修人員執行，而且只能使用完全一致的更換件。這樣將確保電動工具的安全。

所有電鋸之安全指示

鋸切程序

- a) **△ 危險：請讓雙手遠離鋸切區域和鋸片。讓另一隻手時刻放在輔助手柄或電動機外殼上。如果雙手握住電鋸，就不會被鋸片割傷。**
- b) 請勿將手伸至工件下方。在工件下方，防護罩無法保護您不被鋸片割傷。
- c) 依據工件厚度調整鋸切深度。在工件下方應可看到小於一個完整鋸齒的長度。

- d) 切割期間，嚴禁手持待鋸切工件，或將工件橫在腿上。將工件固定在穩固的平台上。必須妥當地支撐工件，以盡量減少身體暴露、卡鋸或失控。
- e) 若在執行操作時鋸切工具可能會接觸隱藏的電線，請從絕緣手柄表面握住電動工具。若接觸到「帶電」導線，工具金屬部件表面就會「帶電」，從而導致操作人員觸電。
- f) 縱割時，始終使用平行擋板或直邊導件。這可提高鋸切精度，降低卡鋸機率。
- g) 始終使用心軸孔的尺寸和形狀正確（菱形而不是圓形）的鋸片。與電鋸的安裝部分不相符的鋸片會偏心運轉，導致失控。
- h) 切勿使用已損壞或不適當的鋸片墊圈或螺栓。鋸片墊圈和螺栓專為您的電鋸而設計，以達到最佳效能與運行安全性。

所有電鋸之附加安全指示

反衝原因與相關警告

- 反衝是鋸片被夾住、卡住或未對準時的突然反應，可導致失控的電鋸彈起，脫離工件，並且衝向操作人員；
- 當鋸片被封閉的鋸縫緊緊夾住或卡住時，鋸片將會失速，電動機的反作用力驅使工具迅速後撤，衝向操作人員。
- 如果鋸片在鋸縫中扭曲或偏離，鋸片背部的鋸齒可能掘進木材的上表面，導致鋸片爬出鋸縫，朝後彈向操作人員。

反衝是由不當使用電鋸和/或錯誤的操作程序或條件而導致，可透過採取下列適當的預防措施而避免：

- a) 雙手緊握電鋸並調整手臂的位置以應對反衝力。使身體位於鋸片的一側，而非與其呈一條直線。反衝可導致電鋸向後反彈，但若採取適當的預防措施，操作人員可控制反衝力。
- b) 當鋸片卡住，或因任何原因需要中斷鋸切時，鬆開觸發器，保持電鋸不動，直到鋸片在材料中完全停止。切勿在鋸片仍在運動時，嘗試從工件中取出電鋸或向後拔出電鋸，否則可能發生反衝。檢查並採取矯正措施，以消除卡鋸的原因。
- c) 在工件中重啟電鋸時，將鋸片與鋸縫中心對準，以便鋸齒未卡在材料中。如果鋸片卡住，則在電鋸重啟時可能從工件中跑出或反衝。
- d) 妥當支撐大型板材，將卡鋸和反衝風險降至最低。大型板材由於自身重量而有下陷的傾向。必須在板材下方靠近鋸切線一側及靠近板材邊緣一側都放置支撐物。
- e) 請勿使用已鈍化或損壞的鋸片。未磨利或未適當設定的鋸片會產生狹窄的鋸縫，導致過度摩擦、卡鋸和反衝。
- f) 鋸切前，鋸片深度和斜角調整鎖桿必須緊固且穩定。如果鋸片調整裝置在鋸切時移動，則可能造成卡鋸和反衝。
- g) 對現有牆體或其他盲區進行鋸切時應格外小心。伸入的鋸片可能鋸切到其他物體而導致反衝。

使用鐘擺式鋸片防護罩的鋸片安全說明

下部防護罩功能

- a) 在每次使用前，檢查下部防護罩是否已適當關閉。如果下部防護罩不能自由移動並即時關閉，請勿使用電鋸。切勿將下部防護罩夾或綁至打開位置。如果電鋸意外跌落，下部防護罩可能彎曲。使用收縮手柄提升下部防護罩，並確定其可自由移動，在任何角度或鋸切深度均不會觸碰鋸片或任何其他部件。
- b) 檢查下部防護罩彈簧的運作狀況。如果防護罩和彈簧運作不正常，則必須在使用前進行維修。下部防護罩可能由於部件損壞、樹脂沉積或鋸屑堆積而運作不暢。
- c) 只有在進行諸如「切入式鋸切」和「複合式鋸切」等特殊鋸切時，才可手動縮回下部防護罩。使用收縮手柄提升下部防護罩，鋸片進入材料後，必須立即鬆開下部防護罩。對於所有其他鋸切作業，應讓下部防護罩自動運作。
- d) 將電鋸置於工作台或地板上之前，始終查看下部防護罩是否蓋住鋸片。在慣性作用下，未加保護的鋸片將致使電鋸後退，鋸切所有觸及的物體。請注意鬆開關閉後鋸片停止運轉所需的時間。

圓鋸機的其他安全規定

- 請佩戴聽力保護器。噪音會使聽力受損。
- 請佩戴防護面具。暴露於灰塵顆粒中可能導致呼吸困難及人身傷害。
- 請勿使用大於或小於推薦直徑的鋸片。若需適當的鋸片規格，請參閱技術資料。請僅使用本手冊規定的、符合 EN 847-1 要求的鋸片。
- 切勿使用切斷用砂輪。
- 請勿使用給水附件。
- 使用夾具或採取其他可行的方法，將工件固定、支撐到穩定的平台上。手持工件或用身體抵住工件會使工件不穩定並可能導致失控。

剩餘風險

即使應用有關的安全規定並採用安全設備，仍然還有一些無法避免的剩餘風險。危險包括：

- 聽力受損。
- 飛散的顆粒引起的人身傷害風險。
- 操作過程中配件變熱引起的灼傷風險。
- 長時間使用引起的人身傷害風險。

電氣安全

電動機只適用一種電壓。請務必檢查電池組電壓是否與銘牌一致，並且確充電器的電壓與電源電壓一致。



DEWALT 充電器根據 IEC60335 進行雙重絕緣，因此不需要使用接地線。

若電源線損壞，必須使用 DEWALT 維修機構提供的專用電線進行更換。

使用延長電纜

如非絕對必要，否則不要使用延長電線。請使用與充電器的輸入功率相配的認可延長電纜（請參閱技術資料）。導體體的最小橫截面尺寸為1平方公釐，最長為30米。

使用電纜捲筒時，每次必須把電纜完全展開。

妥善保存這些安全指示

充電器

DeWALT 充電器無需調節，專為盡可能輕鬆使用而設計。

所有電池充電器的重要安全指示

妥善保存這些安全指示：本手冊提供有關相容電池充電器的重要安全和操作指示（請參閱技術資料）。

- 在使用充電器之前，請先閱讀所有指示以及充電器、電池組和使用電池組的產品上的警告標記。

警告：觸電危險。切勿讓任何液體進入充電器，否則可能會導致觸電。

警告：建議使用漏電流額定值不超過 30mA 的漏電流保護裝置。

小心：燒傷危險。為了減低受傷風險，只可以使用 DeWALT 可充電電池。其他非原廠電池可能會爆裂，導致人身傷害和損害。

小心：必須監督小孩，確保他們沒有耍玩具器具。

注意：在某些情況下，充電器連接到電源後，充電器內暴露的充電觸頭會被異物導致短路。導電的異物，包括但不限於鋼絲絨、鋁箔紙或任何由金屬粒子組成的物件，必須要遠離充電器範圍。充電器裡沒有電池組時，一定要拔掉充電器的電源。請先拔掉電源插頭後再清潔充電器。

- 切勿嘗試使用本手冊未提到的充電器替電池組充電。充電器與電池組專為搭配使用而特別設計。
- 除了為 DeWALT 可充電電池充電之外，這些充電器不可以用於其他用途。否則可能會導致火災、觸電或觸電致死。
- 請勿將充電器暴露在雨、雪之中。
- 中斷充電器的電源時，請拔除插頭而非拉扯電線。這樣會降低電源插頭及電線損壞的風險。
- 請確保電線的位置不會遭踐踏、令人絆倒，或引起其他方式的損壞或受壓。
- 除非絕對需要，否則請勿使用延長電線。使用不適當的延長電線會引起火災、觸電或觸電致死。
- 請勿將任何物件放在充電器上面，或是把充電器放在可能會堵住通風槽的柔軟表面，導致充電器的內部過熱。請將充電器放到遠離熱源的位置。充電器透過外殼頂部及底部的槽散熱。
- 切勿操作電線或插頭損壞的充電器，請立即予以更換。
- 如果充電器受到重擊、墜落或出現其他損壞情況，請勿使用充電器，並拿到授權維修中心修理。
- 切勿自行拆卸充電器。需要維護或修理時，請拿到授權維修中心。重新組裝不當可能會導致觸電、觸電致死或火災。
- 若電源線損毀，必須由製造商、服務代理或類似合格人員立即更換以避免發生危險。

- 在清潔之前，請將充電器的插頭從電源插座上拔掉，這樣可以減低觸電風險。取出電池組並不能降低該風險。
- 切勿試圖將兩個充電器連接在一起。
- 充電器是為標準 110V 家用電源而設計。切勿試圖使用其他電壓。本規定不適用於車載充電器。

為電池充電（圖 A）

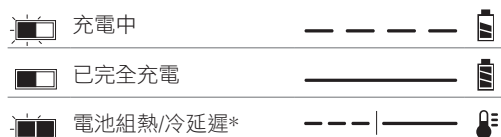
1. 放進電池組前，先將充電器的插頭插到適當的插座。
2. 將電池組 3 放進充電器，確保電池組已完全放入。紅燈（充電中）會重複閃爍，這表示充電程序已經開始。
3. 當紅燈會持續亮起時，代表充電完成。此時，電池組的電力全滿，可以立即使用或是留在充電器裡。若要從充電器中取出電池組，請按下電池組上的電池釋放按鈕 13。

注意：為了確保鋰離子電池組的效能及使用壽命最大化，在第一次使用電池組之前必須完全充電。

充電器操作

如需瞭解電池組的充電狀態，請參閱以下指示燈。

充電指示燈



*紅燈會繼續閃爍，但在執行此操作期間黃色指示燈將亮起。電池組達到適當溫度後，黃色指示燈將熄滅，充電器將恢復充電程序。

相容的充電器不會為有故障的電池組充電。充電器會透過不亮燈或顯示電池組故障或充電器閃爍模式來表示電池組故障。

注意：亦有可能是充電器發生故障。

如果充電器指出故障，請將充電器和電池組拿到授權維修中心進行測試。

電池組熱/冷延遲

當充電器偵測到電池組過熱或過冷，就會自動啟動電池組熱/冷延遲，在電池組達到適合的溫度之前暫停充電。然後，充電器會自動轉換到電池組充電模式。此功能可確保電池組的使用壽命最大化。

冷電池組的充電速度大約是暖電池組的一半。在整個充電週期，電池組會以較慢的充電速度進行充電，即使電池組變暖，充電速度亦不會回復至最大充電速度。

DCB118 充電器具有專為冷卻電池組而設計的內部風扇。在需要冷卻電池組時，風扇會自動開啟。若風扇運作不正確或通風槽堵塞，切勿操作充電器。請勿讓異物進入充電器內部。

電子保護系統

XR 鋰離子工具的設計具有電子保護系統，可保護電池組，避免過載、過熱或深度放電。

如果電子保護系統啟動，本工具會自動關閉。如果出現此情況，請將鋰離子電池組放進充電器直到電力全滿。

牆面安裝

這些充電器經過精心設計，可以安裝在牆面上或立在桌面或工作表面上。若採用牆面安裝，請將充電器安裝在電源插座連接範圍內的位置，並遠離角落或可能阻礙空氣流動的障礙。將充電器的背面用作在牆面上確定安裝螺絲位置的型板。使用長度至少 25.4 公釐、螺頭直徑為 7-9 公釐的牆面螺絲（另售）牢固安裝充電器，旋進木料的最佳深度為螺絲大約有 5.5 公釐長度露在木料外。將露出的螺絲與充電器背面的槽對齊，並完全接合到槽中。

充電器清潔指示

警告：觸電危險。在清潔之前，請將充電器的插頭從 AC 電源插座上拔掉。使用軟布或非金屬軟刷，去除充電器外部的污垢和油脂。請勿使用水或任何清潔劑。不要讓任何液體進入工具；不要讓工具的任何部分浸入液體中。

電池組

所有電池組之重要安全指示

購買更換電池組時，務必附上目錄號和電壓資料。

包裝內的電池組並未完全充電。在使用電池組和充電器之前，請先閱讀以下安全指示，並遵循所列的充電程序。

請閱讀所有指示

- 不要在易爆環境，如有易燃液體、氣體或粉塵的環境中進行充電或使用電池。將電池組放進充電器或拆除電池可能會點燃粉塵或氣體。
- 切勿強行將電池放進充電器。切勿以任何方式改裝電池組以在不相容的充電器中使用，否則電池組可能會破裂，導致嚴重人身傷害。
- 只可使用 DeWALT 充電器為電池充電。
- 切勿將水分或其他液體飛濺到電池組或將電池組浸沒。
- 請勿在溫度可能達到或超過 40°C (104°F) 的地方（例如夏季的室外貨棚或金屬建築物）儲存或使用本工具及電池組。
- 即使電池組已嚴重損毀或磨損，請勿焚燒電池組。電池組可能會在火中爆炸。灼燒鋰離子電池組時會產生有毒氣體和物料。
- 如果電池液體接觸到皮膚，請立即以中性肥皂和清水沖洗接觸範圍。若電池液體進入眼睛，請睜開眼睛，用清水沖洗 15 分鐘或直到不適感消失為止。如果需要接受治療，電池的電解質由液化有機碳酸鹽和鋰鹽構成。
- 開啟的電池中的物質可能會刺激呼吸道。請轉移至空氣流通處。如果症狀持續，請尋求醫療協助。

警告：燒傷危險。 電池液如遇到火花或火焰可能會引起燃燒。

警告：不論是因為任何理由，都不要嘗試打開電池。如果電池組的外殼破裂或損毀，請勿放進充電器。切勿撞擊、摔落或損毀電池組。切勿使用受到重擊、墜落或出現其他損壞情況的電池組或充電器（例如釘子刺穿、以錘子敲打或踐踏）。否則可能會引起觸電或觸電致死。損毀的電池組應該送回維修中心進行回收。



警告：火災危險。切勿在儲存或搬運電池組時讓金屬物件接觸暴露的電池兩極。例如，請勿將電池組放在帶有鬆動的釘子、螺絲、鑰匙等的地方（如圍裙、口袋、工具箱、產品包裝箱、抽屜等）。



小心：不使用工具時，請將工具放在穩定的表面上，以免導致絆倒或墜落等危險。一些具有大型電池組的工具可以直立但可能會輕易被撞倒。

運輸



警告：火災危險。電池運輸途中，若兩極意外接觸導電材料，可能會引發火災。運輸電池時，確保電池兩級受到保護並與可能接觸兩級並導致短路的材料隔絕。

DeWALT 電池符合行業和法律標準（包括聯合國危險貨物運輸建議書、國際航空運輸協會 (IATA) 危險物品處理規則、國際海運危險物品 (IMDG) 處理規則以及國際公路運送危險物品歐洲協議 (ADR) 規定的所有適用運輸規章。鋰離子電池和電池組均已根據《聯合國危險貨物運輸建議書測試與標準手冊》第 38.3 節的規定進行測試。

大多數情況下，不會將運輸 DeWALT 電池組分歸為完全管制的第 9 類危險品。一般只有在運輸中包含額定能量大於 100 瓦時 (Wh) 的鋰離子電池時，才會將其分歸為完全管制的第 9 類危險品。所有鋰離子電池外殼上均標註有瓦時等級。此外，由於規章的複雜性，DeWALT 不建議對鋰離子電池組單獨採用空運，不論其額定能量是多少瓦時，都是如此。若電池組的額定能量不超過 100 瓦時，可以同時空運工具與電池組（組合套件）。無論運輸是否納入完全管制範圍內，運輸方均有責任諮詢瞭解針對包裝、標籤/標記及單據要求的最新規定。

手冊本節資訊基於良好商譽原則提供，在編製文件時被視為準確無誤，但不適用任何明示或暗示的保證。買方負有確保其行為遵守適用法規的責任。

運輸 FLEXVOLT™ 電池

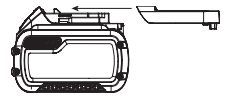
DeWALT FLEXVOLT™ 電池有兩種模式：(使用)與運輸。

使用模式：若 FLEXVOLT™ 電池單獨使用或在 DeWALT 18 (20 Max) 伏特產品中使用時，將作為 18 伏特電池運作。

若 FLEXVOLT™ 電池在 54(60 Max) 伏特或 108(120 Max) 伏特（兩個 54(60 Max) 伏特電池）產品中使用，將作為 54(60 Max) 伏特電池運作。

運輸模式：將護蓋連接至 FLEXVOLT™ 電池時，電池將處於運輸模式。在運輸時，請將護蓋保留在電池上。在運輸模式下，若將電池組內的一連串電池中斷電氣連接，會導致 3 個電池各自的瓦時 (Wh) 額定值低於 1 個電池組的瓦時額定值。這樣電池數量雖然增加到 3 個，但瓦時額定值更低，因此能避開針對較高瓦時電池的運輸規章。

例如，若運輸瓦時額定值為 3 x 36 瓦時，表示運輸 3 個電池，



使用與運輸標籤標記的示例

 Use: 108 Wh
 Transport: 3x36 Wh

每個電池的額定值為 36 瓦時。使用瓦時額定值可能為 108 瓦時 (表示 1 個電池)。

儲存建議

1. 乾燥、涼爽、太陽不會直接照射、不會過熱或過冷的地方，就是電池組的最佳存放地點。為達到最大效能和使用壽命，不使用電池時請以室溫儲存電池組。
2. 欲長期儲存，建議將電力全滿的電池組從充電器卸下，儲存於涼爽、乾燥處，使電池組效能達到最佳。

注意：電池組不應在電力耗盡的情況下儲存。在使用之前，電池組必須再次充電。

充電器和電池組上的標籤

除了本手冊的圖示之外，充電器及電池組上的標籤包含以下圖示：



使用前請閱讀使用手冊。



充電時間請見**技術資料**。



切勿插入導體。



切勿為損毀的電池組充電。



切勿暴露在水中。



立即更換損壞的電線。



只在溫度介於 4°C 至 40°C 之間充電。



僅供室內使用。



棄置電池組時要顧及環保。

LI-ION



只使用指定的 DeWALT 充電器為 DeWALT 電池組充電。使用 DeWALT 充電器對指定的 DeWALT 電池以外的電池組充電會爆裂或導致其他危險情形。



切勿焚化電池組。



使用 (無運輸電池蓋)。範例：瓦時額定值為 108 瓦時 (具有 108 瓦時的 1 個電池)。



運輸 (有內建運輸電池蓋)。範例：瓦時額定值為 3x36 瓦時 (具有 36 瓦時的 3 個電池)。

電池類型

DCS570 使用 18/20 Max 伏特電池組。

可以使用以下電池組：DCB181、DCB182、DCB183、DCB183B、DCB184、DCB184B、DCB185、DCB205、DCB187、DCB546、DCB547、DCB606、DCB609。如需詳細資訊，請參閱**技術資料**。

套裝內的物件

本套裝包括：

- 1 個 圓鋸機
 - 1 個 鋸片扳手
 - 1 個 平行擋板
 - 1 個 集塵系統
 - 1 個 充電器 (C、D、L、M、P、S、T、X 型號)
 - 1 個 鋰離子電池組 (C1、D1、L1、M1、P1、S1、T1、X1 型號)
 - 2 個 鋰離子電池組 (C2、D2、L2、M2、P2、S2、T2、X2 型號)
 - 3 個 鋰離子電池組 (C3、D3、L3、M3、P3、S3、T3、X3 型號)
 - 1 本 使用手冊
- 檢查工具、部件或配件有否在運送途中損壞。
 - 操作前，請抽空徹底地閱讀和掌握本手冊的內容。

工具上的標誌

工具上會附帶下列圖示：



使用前請閱讀使用手冊。



請佩戴聽力保護器。



請佩戴護目鏡。



可見輻射。請勿直視光源。

日期代碼位置 (圖 A)

日期代碼 **19**，包括製造年份，已經印刷在工具外殼上。

範例：

2017 XX XX

製造年份

說明 (圖 A)



警告：切勿改動本電動工具或其任何部件。否則可能導致損壞或人身傷害。

- 1 觸發開關鎖止按鈕
- 2 觸發開關
- 3 電池組

- 4 深度調節桿 (圖 E)
- 5 底板
- 6 下部鋸片防護罩回拉桿
- 7 下部鋸片防護罩
- 8 鋸片夾緊螺絲
- 9 鋸縫指示器
- 10 斜角調節桿
- 11 鋸片鎖按鈕
- 12 輔助手柄
- 13 電池釋放按鈕
- 14 鋸片扳手 (圖 E)
- 15 工作燈
- 16 Rafer 扣

設計用途

這些重型圓鋸機是為了專業鋸切木材操作而設計。請勿切割金屬、塑膠、混凝土、磚石或纖維水泥材料。**切勿**對此電鋸使用給水附件。**切勿**使用砂輪或研磨性鋸片。**請勿**在潮濕有水或存有易燃液體或氣體的環境下使用本工具。

這些重型電鋸是專業的電動工具。

請勿讓兒童接觸本工具。缺乏經驗的操作人員需要在監督下使用本工具。

- **兒童和體弱者。**兒童或體弱者在沒有他人監督的情況下不適用使用本工具。
- 體力、感覺或智力不足，以及缺乏經驗、知識或技能的人員（包括兒童）不適合使用本產品，除非一旁有能為他們安全負責的監督人員。請勿讓兒童單獨接觸本工具。

裝配與調整



警告：為了減低造成嚴重人身傷害的風險，在進行任何調整或卸下或安裝附件或配件之前，切記關掉工具的電源並取出電池組。意外啟動工具可能會造成傷害。



警告：請僅使用 DEWALT 電池組與充電器。

在工具中安裝及卸下電池組 (圖 A)

注意：請確保電池組 3 電力已完全充滿。

將電池組安裝到工具手柄中

1. 將電池組 3 與工具手柄內的軌道對齊 (圖 A)。
2. 將電池組滑入手柄，直到電池組在工具內緊緊固定並確保聽到鎖定位的聲音。

卸下工具內的電池組

1. 按下釋放按鈕 13，將電池組從工具手柄中穩妥地拉出。
2. 按照本手冊有關充電器的章節所述，將電池組放進充電器。

電量計電池組 (圖 A)

一些 DEWALT 電池組帶有包含三個綠色 LED 燈的電量計，可以指示電池組的剩餘電量。

若要啟用電量計，請按住電量計按鈕 32。三個綠色 LED 燈將以組合方式亮起，以指示剩餘電量。電池電量低於可用限值時，電量計不會亮起，此時需要對電池充電。

注意：電量計只指示電池組的剩餘電量。它並不指示工具功能，且根據工具組件、溫度和最終使用者的應用而有所不同。

更換鋸片

安裝鋸片 (圖 C-E)

1. 取下電池。
2. 使用下部防護罩控制桿 6 縮回下部鋸片防護罩 7，將鋸片置於鋸軸上，緊挨內夾緊墊圈 17，並確定鋸片能夠依適當的方向轉動 (鋸片和鋸齒上的旋轉箭頭方向必須與電鋸上的旋轉箭頭方向相同)。不要認為在正確安裝的情況下鋸片上的記號始終都會面向您。收起下部鋸片防護罩安裝鋸片時，請檢查下部鋸片防護罩的狀況和運行，以確保其運行正常。確保在切口的任何角度、任何深度，下部鋸片防護罩都能夠自由移動，並且不會碰到鋸片或任何其他部件。
3. 將外夾緊墊圈 16 置於電鋸軸心上，斜面向外。確保夾具鋸片一側的 30 公釐直徑放進電鋸鋸片的 30 公釐孔中，確保鋸片居中。
4. 用手將鋸片夾緊螺釘 8 鎖緊至鋸軸 (螺釘採用右旋螺紋，必須順時針轉動才能鎖緊)。
5. 使用電池盒下存放的鋸片扳手 14 轉動鋸軸時按下鋸片鎖 11，直到鋸片鎖接合，鋸片停止旋轉。
6. 使用鋸片扳手轉緊鋸片夾緊螺釘。

注意：切勿在電鋸正在運轉時接合鋸片鎖，或試圖透過接合鋸片鎖使工具停止運轉。切勿在鋸片鎖已接合時啟動電鋸。這樣會導致電鋸嚴重損壞。

更換鋸片 (圖 C、D)

1. 取下電池。
2. 若要鬆開鋸片夾緊螺釘 8，請按下鋸片鎖 11 並使用電池盒下存放的鋸片扳手 14 轉動鋸軸，直到鋸片鎖接合，鋸片停止旋轉。在鋸片鎖處於接合狀態下，使用鋸片扳手逆時針轉動鋸片夾緊螺釘 (螺釘採用右旋螺紋，必須逆時針轉動才能鬆開)。
3. 卸下鋸片夾緊螺釘 8 和外夾緊墊圈 16。拆下舊鋸片。
4. 清潔防護罩或夾緊墊圈區域可能堆積的鋸屑，如前所述檢查下部鋸片防護罩的狀況與運作情況。請勿對此區域進行潤滑。
5. 針對具體應用選取合適的鋸片 (請參閱鋸片)。始終使用尺寸 (直徑) 正確、中心孔尺寸和形狀適於安裝在鋸軸上的鋸片。始終確保鋸片的最大建議轉速 (rpm) 符合或超越電鋸的轉速 (rpm)。

6. 遵循**安裝鋸片**中的第 1 至 5 步，確定鋸片能夠依適當的方向旋轉。

下部鋸片防護罩

警告：下部鋸片防護罩是可降低嚴重人身傷害風險的安全裝置。切勿在下部防護罩遺失、損壞、裝配不當或不能正常運作時使用電鋸。請勿依靠下部鋸片防護罩在所有情況下為您提供保護。

您的安全取決於遵循所有警告和注意事項，以及正確操作電鋸。在每次使用前，檢查下部鋸片防護罩是否已適當關閉。如果下部鋸片防護罩遺失或不能正常運作，請在使用前維修電鋸。為了確保產品安全及可靠，維修、維護和調整作業都應該由授權的維修中心或其他合格的維修機構執行，並始終使用相同的替換部件。

檢查下部防護罩 (圖 A)

- 關閉工具並斷開電源。
- 將下部防護罩控制桿 (圖 A, 6) 從全閉位置旋轉至全開位置。
- 鬆開控制桿並觀察防護罩 7 返回至全閉位置。

如果工具發生下列情形，則應該由合格的維修中心進行維修：

- 無法返回至全閉位置，
- 間歇或緩慢運動，或
- 在任何角度或鋸切深度觸碰鋸片或工具的任何其他部件。

刀片

警告：為最大程度降低眼部受傷的風險，請始終佩戴護目鏡。硬合金是一種硬脆性材料。工件中的異物如電線或釘子等可能會導致鋸片尖端破裂或損壞。僅在電鋸防護罩裝配到位時操作電鋸。使用前將鋸片按正確的旋轉方向穩固安裝好，且必須使用乾淨鋒利的鋸片。

警告：請勿使用此鋸片切割金屬、塑膠、混凝土、磚石或纖維水泥材料。

190 mm 直徑	
應用	鋸齒
快速縱切	18
縱切	24
一般用途	40

184 mm 直徑	
應用	鋸齒
縱切	24
一般用途	36
磨光	60

若您需要有關鋸片方面的協助，請聯絡您的當地 DeWALT 代理商。

反衝

反衝是鋸片被夾住、卡住或未對準時的突然反應，可導致失控的電鋸彈起，脫離工件，並且衝向操作人員；當鋸片被封閉的鋸縫緊緊夾住或卡住時，鋸片將會失速，電動機的反作用力驅使工具迅速後撤，衝向操作人員；如果鋸片在鋸縫中扭曲或偏離，鋸片背部的鋸齒可能掘進木材的上表面，導致鋸片爬出鋸縫，朝後彈向操作人員。

以下情況更有可能發生反衝。

1. 工件支撐不當

- 切割工件下陷或不當升高可能導致卡鋸，引起反衝。
- 只切割所支撐材料的外緣可能導致反衝。隨著材料的支撐力減弱，鋸縫閉合，鋸片會被卡住 (圖 L)。
- 從下往上垂直切割懸掛或懸空的工件可能導致反衝。下陷的切割件可能導致卡鋸。
- 切割長條形的工件 (例如在縱割時) 可能導致反衝。切割的條形工件可能下陷或扭曲，導致鋸縫閉合和卡鋸。
- 若下部防護罩在低於切割材料的表面上受阻滯，會即時影響操作員對工具的操控。電鋸會從切口局部升高，增加鋸片變形的風險。

2. 電鋸切割深度設定不當

- 若要最高效地進行切割，鋸片的伸出程度應足以露出一半鋸齒，如圖 F 所示。如此底板可以支撐鋸片，並最大限度減少在材料中的扭曲與卡鋸。請參閱標題為**鋸切深度調節**的一節。

3. 鋸片變形 (切口錯位)

- 經過結痂、釘子或硬粒區域時用力推進可能導致鋸片變形。
- 試圖在切口裡扭轉電鋸 (試圖回到標記線上) 可能導致鋸片變形。
- 操作電鋸時身體過度伸展或控制不當 (身體不平衡) 可能導致鋸片變形。
- 切割時轉換握持手或改變身體姿勢可能導致鋸片變形。
- 撤回電鋸以清理鋸片時可能導致變形。

4. 需要格外注意的材料

- 潮濕木材
- 生材 (剛砍伐或未經乾燥的木材)
- 經過防腐處理的木材 (使用防腐劑或防腐化學品處理過的木材)

5. 使用鈍化或髒污的鋸片

- 鈍化的鋸片會增加電鋸的負載。因此，操作員通常會更用力地推進，進一步增加了電鋸負載，容易導致鋸縫中的鋸片變形。此外，磨損的鋸片可能鋸體縫隙不足，從而加重卡鋸和負載增加的風險。

6. 在斜角切割時抬起鋸

- 斜角切割需要操作人員格外注意採用正確的切割技巧，尤其是對鋸的引導，更是如此。底板的鋸片角度與材料中更大的鋸片表面會增大發生卡鋸及錯位（變形）的機率。

7. 鋸齒在材料中卡住時重新開始切割

- 若電鋸因鋸片卡在鋸縫中而停止，開始切割或重新開始切割前，電鋸必須達到最高操作速度，否則可能導致失速和反衝。

任何其他可能引起鋸片被卡住或夾住、變形或錯位的情況都可能導致反衝。請參閱**圖鋸機的其他特殊安全規定和鋸片**諸節，以瞭解最大程度降低反衝風險的程序和技術。

切割深度調節 (圖 E-F)

- 提升深度調整控制桿 **4** 以將其鬆開。
- 若要取得正確的鋸切深度，請將深度調節帶 **20** 上的相應標記與上鋸片防護罩上的凹口 **19** 對準。
- 轉緊深度調整控制桿。
- 為了在使用硬合金頭鋸片時使鋸切操作達到最高效能，設定深度調整時應使約一半的鋸齒長度伸等待鋸切木材表面下方。
- 檢查正確鋸切深度的方法如圖 F 所示。將待切割的材料沿鋸片側邊放置，如圖所示，並觀察伸出材料的鋸齒長度。

調節深度調節桿 (圖 E)

可能需要調節深度調節桿 **4**。一段時間後，它可能會變鬆，如果不擰緊，會碰到底板。

欲擰緊調節桿：

- 握住深度調節桿 **4** 並鬆開鎖緊螺母 **18**。
- 調節深度調節桿，方法是依所需的方向旋轉大約 1/8 圈。
- 重新擰緊螺母。

斜角調整 (圖 A、G)

斜角調整機構可在 0° 與 57° 之間調整。

為了在切割時達到更好的準確度，可使用位於樞軸支架 **21** 上的微調標記。

- 升起斜角調節桿 **10** 以鬆開。
- 將底板傾斜到所需角度，方法是將細斜面指標 **22** 對準樞軸支架 **21** 上所需的角度的標記。
- 放下斜角調節桿以重新擰緊。

斜角固定 (圖 A、G)

DCS570 配備斜角固定功能。傾斜底板 **5** 時，您會聽到卡嗒聲，感覺底板停在 22.5 和 45 度的位置。如果這兩個角度都不是所需的角度的，可以透過降低調節桿 **10** 重新擰緊。如果您需要其他角度，可以繼續傾斜底板，直到粗斜面指標 **23** 或細指標 **22** 與所需標記對齊。

切割長度指示器 (圖 A)

底板 **5** 側面的標記顯示完整深度切割時切進材料的切口長度。標記間隔為 5 公釐。

鋸縫指示器 (圖 I)

電鋸底板的前端有用於垂直和傾斜鋸切的鋸縫指示器 **9**。此指示器可讓您在待鋸切材料上順著鉛筆劃的鋸切線導引電鋸。鋸縫指示器與鋸片左（外）側平行，因此運動的鋸片鋸切形成的槽或「鋸縫」位於指示器右側。沿著鉛筆標注的切割線切割，以便鋸縫位於廢棄或多餘的木材上。

安裝和調整平行擋板 (圖 N)

平行擋板 **28** 用於執行與工件邊緣平行的鋸切作業。

安裝

- 轉鬆平行擋板調整旋鈕 **27**，讓平行擋板通過。
- 如圖所示，將平行擋板 **28** 插入底板。
- 轉緊平行擋板調整旋鈕 **27**。

調整

- 轉鬆平行擋板調整旋鈕 **27** 並將平行擋板 **28** 設定至所需寬度。可在平行擋板刻度尺上讀取調整值。
- 轉緊擋板調整旋鈕 **27**。

安裝集塵系統 (圖 A、P)

本圖鋸機隨附集塵系統。

欲安裝集塵系統

- 完全擰鬆深度調節桿 **4**。
- 將底板 **5** 放在最低的位置。
- 將集塵系統 **29** 的左半部分對齊上部鋸片防護罩 **7**，如圖所示。確保突耳插入工具的凹槽。正確安裝後，突耳會完全蓋住切割指標原來的深度。
- 將右半部分 **30** 與左半部分對齊。
- 插入螺絲並牢固擰緊。

操作之前

- 確定防護罩已正確安裝。鋸片防護罩必須處於關閉位置。
- 確定鋸片是依鋸片上的箭頭方向旋轉。
- 請勿使用過度磨損的鋸片。

操作

使用說明

警告：務必遵守安全指示和適用的規則。

警告：為了減低造成嚴重人身傷害的風險，在進行任何調整或卸下或安裝附件或配件之前，切記關掉工具的電源並取出電池組。意外啟動工具可能會造成傷害。

正確的雙手放置位置 (圖 J)

警告：為了減低嚴重人身傷害的風險，請務必如圖示那樣正確放置雙手。

警告：為了減低造成嚴重人身傷害的風險，預期有突然反作用力時**務必**握緊。

正確的雙手放置位置是一隻手放在主手柄 **26** 上，另一隻手握住輔助手柄 **12**。

LED 工作燈 (圖 A)

按壓觸發開關時，LED 工作燈 **15** 就會亮起。鬆開觸發器後，工作燈將保持點亮達 20 秒鐘。

注意：工作燈用於照亮緊鄰的工作表面，而不是設計作為手電筒。

開啟和關閉電源 (圖 B)

出於安全原因，本工具的觸發開關 **2** 配置了鎖止按鈕 **1**。

按下鎖止按鈕以解鎖工具。

若要運行工具，請按觸發開關 **2**。鬆開觸發開關後，鎖止開關會自動啟動以防止工具意外啟動。

注意：請勿在鋸片接觸工件或其他材料時開啟或關閉工具。

工件支撐 (圖 J-M)

警告：為降低遭受嚴重人身傷害的風險，請妥當地支撐工件並穩固地握住電鋸以防失控。

圖 J 和 K 所示為適當的鋸切位置。圖 L 和 M 所示為不適當的鋸切位置。雙手應遠離鋸切區域，並將電源線置於鋸切區域以外，以免其發生纏繞或懸吊在工件上。

為了避免發生反衝，請始終在鋸切位置附近支撐待切割板材 (圖 J 和 K)。請勿在遠離鋸切位置處支撐待切割板材 (圖 L 和 M)。操作電鋸時，使電源線遠離鋸切區域，以免其懸吊在工件上。

進行任何調整之前，始終斷開電鋸的電源！將工件「好」的一面 (外觀最重要的一面) 朝下放置。電鋸向上鋸切，因此任何撕裂痕跡將位於鋸切時向上的工件表面上。

切割 (圖 J)

警告：切勿試圖將此工具上下倒置放在工作台上，然後將材料進給至工具。始終穩固地夾緊工件，然後雙手握緊工具並使工具向工件靠近，如圖 J 所示。

將電鋸底板的較大部分置於工件上穩固支撐的部分，而非完成鋸切後將會跌落的部分。舉例而言，圖 J 所示為鋸切板材端頭的正确方式。始終夾緊工件。請勿試圖用手持握短小的工件！務必支撐懸空和外伸的材料。從下方鋸切材料時應小心。

確保電鋸在鋸片接觸待鋸切材料前已達到全速。在鋸片緊挨待鋸切材料，或將鋸片向前推入鋸縫時啟動鋸切，可能導致反衝。以使鋸片鋸切起來不費力的速度推進電鋸。即使同一塊材料的硬度和韌度亦有可能不同，多節或潮濕的部分可能加重電鋸的負載。此時，以更慢的速度推進電鋸，但需使用足夠的力量，以保持工作而不會大幅減速。強行推進電鋸可能導致鋸切粗糙、不準確、反衝及電動機過熱。如果電鋸開始偏離鋸切線，請勿嘗試強行使其回到線上。鬆開開關，使鋸片完全停止。然後可以

取出電鋸，重新瞄準，並在稍靠近錯誤鋸切線內的位置開始新的鋸切。在任何情況下，如果必須偏移鋸切線，請取出電鋸。在鋸切線內強行更正，可能導致電鋸失速並造成反衝。

如果電鋸失速，請鬆開觸發器並在電鋸鬆開時退回電鋸。請確保重新啟動前，鋸片與鋸縫對直，並且未觸碰鋸切邊緣。

完成鋸切後，鬆開觸發器，等待鋸片停止，然後從工件中抽出電鋸。取出電鋸時，彈簧式伸縮防護罩將在鋸片下方自動關閉。請記住，鋸片在此之前處於暴露狀態。不論是因為任何理由，都不要接觸工件下方。如需手動縮回伸縮防護罩 (在開始開口鋸切時必須這樣做)，請始終使用收縮控制桿。

注意：鋸切薄條時，請注意確保小片鋸末不會懸掛在下部防護罩內部。

開口鋸切 (圖 O)

警告：切勿將鋸片防護罩綁至提升位置。切勿在進行開口鋸切時向後移動電鋸。這可能導致裝置從工件表面彈出，造成人身傷害。

開口鋸切是指在地板、牆壁或其他平坦表面進行的鋸切。

1. 調整電鋸底板，使鋸片以所需深度鋸切。
2. 向前傾斜電鋸，將底板前端置於待切割材料上。
3. 使用下部防護罩控制桿將下部鋸片防護罩縮回至向上位置。降低底板後端，直到鋸齒幾乎接觸到鋸切線。
4. 鬆開鋸片防護罩 (防護罩與工件的接觸將使其保持所在位置，並在開始鋸切時自由打開)。將手從護罩回拉桿上移開，並緊握輔助手柄 **12**，如圖 O 所示。調整身體和手臂位置，以應對可能發生的反衝。
5. 啟動電鋸之前，確定鋸片沒有與鋸切表面接觸。
6. 啟動電動機，逐漸降低電鋸，直到其底板平置於待鋸切的材料上。沿著鋸切線推進電鋸，直到完成鋸切。
7. 鬆開觸發器，等待鋸片完全停止，然後從材料中取出鋸片。
8. 每次開始新的鋸切時，重複上述步驟。

集塵 (圖 Q)

警告：吸入粉塵風險。欲降低人身傷害的風險，務必佩戴經認可的防護面罩。

本工具隨附集塵系統 **30**。

集塵設備适配器 **31** 可用於透過 AirLock™ 系統 (DWV9000-XJ) 或標準的 35 公釐吸塵器配件將工具連接到外部吸塵器。

警告：鋸切木材時，務必使用設計符合粉塵排放相關指令的真空吸塵器。大部分常見吸塵器的真空軟管可以直接插入集塵口。

維護

DeWALT 電動工具採用卓越的設計，能夠長時間使用，並且只需最少的維護。若要持續獲得滿意的操作效果，需進行正確的工具維護和定期的清潔。

警告：為了減低造成嚴重人身傷害的風險，在進行任何調整或卸下或安裝附件或配件之前，切記關掉工具的電源並取出電池組。意外啟動工具可能會造成傷害。

充電器和電池組是不可檢修的裝置。



潤滑

此工具中使用了自潤滑滾珠和滾柱軸承，因而無需潤滑。儘管如此，建議每年將工具帶往或送往維修中心，進行一次徹底的齒輪箱清潔、檢查和潤滑。



清潔

警告：一旦通風口及其周圍積聚可見的粉塵，請立即使用乾燥的壓縮空氣吹掉主機外殼內的粉塵和灰塵。執行此步驟時，請佩戴經認可的護目裝備和防塵面罩。

警告：切勿使用溶劑或其他刺激性化學品來清潔工具的非金屬部件。這些化學品可能會削弱部件中使用的材料。只能使用抹布蘸中性肥皂水進行清潔。不要讓任何液體進入工具；不要讓工具的任何部分浸入液體中。

下部防護罩

下部防護罩應始終可從全開位置自由旋轉並關閉至全閉位置。進行鋸切前，始終透過將其完全打開並讓其關閉來檢查防護罩是否可以正確運轉。如果關閉緩慢或不能完全關閉，則防護罩需要清潔或維修。在防護罩恢復正常運作前，請勿使用電鋸。若要清潔防護罩，請使用乾燥的空氣或軟刷移除防護罩路徑上，以及防護罩彈簧周圍堆積的任何鋸屑或碎片。如果這樣無法更正問題，則需由授權的維修中心進行維修。

底板調節 (圖 G、H)

底板的出廠設定為鋸片與底板垂直。若使用一段時間後，需要重新調整鋸片，請按以下說明進行操作：

針對 90 度切割執行的調整

1. 將電鋸調回 0 度斜面。
2. 將電鋸側面朝下放下，然後收回下護罩。
3. 將切割深度設為 51 公釐。
4. 鬆開斜角調節桿 (10、圖 G)。用一個直角尺抵住鋸片和底板，如圖 H 所示。
5. 用扳手旋轉底板下方的螺絲 (25、圖 H)，直到鋸片和底板都和直角尺貼合。重新擰緊斜角調節桿。

調節斜角調節桿

可能需要調節斜角調節桿 10。一段時間後，它可能會變鬆，如果不擰緊，會碰到底板。

欲擰緊調節桿：

1. 握住斜角調節桿 10 然後鬆開斜面鎖緊螺母 24。
2. 調節斜角調節桿，方法是按所需的方向旋轉大約 1/8 圈。
3. 重新擰緊螺母。

刀片

鈍化的鋸片會導致鋸切效能降低、電鋸的電動機過載、過量劈裂痕跡，並增加反衝的發生機率。無法再輕鬆地推進電鋸時、電動機過載時、鋸片上積聚過多熱量時，應更換鋸片。最好在手頭準備額外鋸片，以便隨時取用鋒利的鋸片。在大多數區域可以將鈍化的鋸片磨利。可以使用煤油、松節油或烤箱清潔劑移除鋸片上硬化的樹膠。在樹膠過量堆積的應用中，如經過防腐處理的木材及生材，可以使用抗黏塗層鋸片。

選購配件

警告：由於非 DeWALT 所提供的配件未在本產品上進行過使用測試，在本產品上使用這些配件可能會導致危險。為降低傷害危險，在本產品上應只使用 DeWALT 所推薦的配件。

切勿對此電鋸使用給水附件。

使用之前目視檢查硬合金鋸片。如有損壞請予替換。如需進一步瞭解適用配件的相關資訊，請洽詢當地代理商。

保護環境



分類回收。帶有此標誌的產品和電池必須與一般家庭廢物分開處置。

產品和電池包含可重複使用或回收的材料，可降低對原材料的需求。請根據當地法規回收電氣產品和電池。更多資訊，請造訪 www.2helpU.com。

可充電電池組

本電池組使用壽命長，如無法完成理應輕鬆完成的工作時，必須為電池組充電。在使用壽命結束時，請妥善處置以保護我們的環境：

- 使電池完全放電，然後將它從工具中卸下。
- 鋰離子電池是可回收的。請將它們送往您的代理商或當地的回收站。所收集的電池組將會再循環利用或妥善處置。

進口商：新加坡商百得電動工具(股)公司台灣分公司
地址：台北市士林區德行西路 33 號 2 樓
電話：02-28341741

總經銷商：永安實業股份有限公司
地址：新北市三重區新北大道二段 137 號
電話：02-29994633

충전식 원형톱

DCS570

축하합니다!

DeWALT 공구를 선택해 주셔서 감사합니다. 제품 개발과 혁신을 통한 다년간의 경험은 DeWALT를 전문 전동 공구 사용자들이 가장 믿을 수 있는 제품으로 만들어 왔습니다.

기술 데이터

			DCS570
전압	V_{DC}		18(최대 20)
배터리 유형			리튬 이온
무부하 속도	분 ⁻¹		5500
톱날 직경	mm		184
최대 절삭 깊이	mm		64
톱날 구멍	mm		19
베벨각 조정	°		57
무게(배터리 팩 제외)	kg		3.6

참고: 신체 부상을 초래하지 않는 행위를 나타내며, 방지하지 않으면 재산상의 손해가 발생할 수 있습니다.



감전 위험을 나타냅니다.

Batteries				Chargers/Charge Times (Minutes)					
Cat #	V_{DC}	Ah	Weight kg	DCB107	DCB113	DCB115	DCB118	DCB132	DCB119
DCB546	18/54 (최대 20/60)	6.0/2.0	1.05	270	140	90	60	90	X
DCB547	18/54 (최대 20/60)	9.0/3.0	1.25	420	220	140	85	140	X
DCB181	18(최대 20)	1.5	0.35	70	35	22	22	22	45
DCB182	18(최대 20)	4.0	0.61	185	100	60	60	60	120
DCB183/B	18(최대 20)	2.0	0.40	90	50	30	30	30	60
DCB184/B	18(최대 20)	5.0	0.62	240	120	75	75	75	150
DCB185	18(최대 20)	1.3	0.35	60	30	22	22	22	X
DCB187	18(최대 20)	3.0	0.48	140	70	45	45	45	90



경고: 부상 위험을 줄이려면 사용 설명서를 숙지하십시오.

정의: 안전 지침

다음 정의는 각 경고 문구의 심각도를 설명합니다. 사용 설명서를 읽고 다음 기호들에 유의하십시오.



위험: 절박한 위험 상태를 나타내며, 방지하지 않으면 사망 또는 심각한 부상을 초래합니다.



경고: 잠재적 위험 상태를 나타내며, 방지하지 않으면 사망 또는 심각한 부상을 초래할 수 있습니다.



주의: 잠재적으로 위험한 상태를 나타내며, 방지하지 않으면 경미하거나 가벼운 부상을 초래할 수 있습니다.



화재 위험을 나타냅니다.

전동 공구에 관한 일반 안전 경고



경고: 안전 경고와 지시 사항을 모두 읽으십시오. 경고와 지시 사항을 준수하지 않으면 감전, 화재 및/또는 심각한 부상을 초래할 수 있습니다.

향후 참고할 수 있도록 모든 경고 및 지시 사항을 보관해두십시오.

경고에서 사용된 "전동 공구"라는 용어는 주 공급 전원에 의해 전기가 공급되는(유선) 전동 공구 또는 충전식(무선) 전동 공구를 의미합니다.

작업장 안전

- a) 작업장을 항상 청결하고 밝게 유지하십시오. 혼잡하거나 어두운 작업장에서는 사고가 발생하기 쉽습니다.
- b) 가연성 액체, 가스 또는 먼지 등 폭발 가능성이 있는 환경에서 전동 공구를 사용하지 마십시오. 전동 공구에서 먼지나 가스를 발화시킬 수 있는 불꽃이 될 수 있습니다.
- c) 전동공구를 사용하는 공간에는 어린이 또는 주변 사람들이 가까이 오지 못하도록 하십시오. 주변이 산만해져 통제력을 잃을 수 있습니다.

전기 안전

- d) 전동공구의 플러그는 콘센트와 형식이 일치해야 하며, 플러그를 어떤 형태로든 개조하지 마십시오. 또한 접지된 전동공구에 다른 어댑터 플러그를 사용하지 마십시오. 개조되지 않은 플러그 및 형식이 일치하는 콘센트를 사용하면 감전 위험이 줄어듭니다.
- e) 파이프 관, 라디에이터, 렌즈, 냉장고 등의 접지 표면에 물이 닿지 않도록 하십시오. 몸에 닿을 경우 감전이 될 위험이 높아집니다.
- f) 전동 공구를 비 또는 습한 환경에 노출하지 않도록 주의하십시오. 전동 공구에 물이 들어가면 감전 위험이 높아집니다.
- g) 코드를 함부로 다루지 마십시오. 코드를 사용하여 전동공구를 운반하거나, 코드를 과도하게 잡아당겨서 플러그를 뽑지 않도록 주의 하십시오. 전열코드가 열기 또는 오일과 접촉되는 것을 피하고, 날카로운 모서리 또는 기기의 기둥 부위에 닿지 않도록 주의 하십시오. 코드가 손상되거나 얽혀 있으면 감전 위험이 높아집니다.
- h) 전동 공구를 실외에서 사용할 때는 실외 사용에 적합한 연장 코드를 사용하십시오. 실외 사용에 적합한 코드를 사용하면 감전 위험이 줄어듭니다.
- i) 전동공구를 습한 공간에서 사용할 경우, 반드시 누전 차단기를 사용하십시오. 누전 차단기(RCD)를 사용하면 감전의 위험이 줄어듭니다. 누전 차단기를 사용하면 감전의 위험이 줄어듭니다.

신체 안전 사항

- j) 전동 공구로 작업할 때는 방심하지 말고 작업에 주의하면서 상식에 따르십시오. 피곤한 상태이거나 약물, 술, 치료제를 복용한 상태에서는 전동 공구를 사용하지 마십시오. 전동 공구를 사용하는 중에 주의력을 잃어 순간적으로 부상을 당할 수 있습니다.
- k) 신체 보호 장비를 착용하십시오. 항상 보안경을 착용하십시오. 적합한 상황에서 방진 마스크, 미끄럼 방지 안전화, 안전모 또는 청력 보호 기구 등의 보호 장비를 사용하면 신체 부상 위험이 줄어듭니다.

- l) 의도하지 않은 장비 가동 방지. 전원 및/또는 배터리 팩에 연결한 상태로 공구를 선택 또는 운반할 때는 사전에 스위치가 꺼짐 위치에 있는지 반드시 확인하십시오. 스위치가 꺼짐 위치에 있는 상태에서 스위치에 손가락이 닿은 상태로 전동 공구를 운반하거나 전동 공구에 전원을 공급하면 사고가 발생합니다.
- m) 전동 공구를 켜기 전에 모든 조정 키 또는 렌치를 제거하십시오. 전동 공구의 회전 부품에 렌치나 키가 부착되어 있으면 부상을 당할 수 있습니다.
- n) 무리하게 팔을 뻗지 마십시오. 항상 올바른 자세로 서서 균형을 유지하십시오. 안정된 자세로 작업을 할 경우 전동 공구를 안전하게 사용할 수 있습니다.
- o) 적절한 작업복을 착용합니다. 헐렁한 옷이나 장신구를 착용하지 마십시오. 머리카락, 옷 및 장갑이 움직이는 부품에 닿지 않도록 유의하십시오. 헐렁한 옷, 장신구 또는 긴 머리가 움직이는 부품에 걸 수 있습니다.
- p) 먼지 배출 및 집진 시설 연결을 위한 장치가 제공된 경우, 이들 장치가 연결되어 적절히 사용되고 있는지 반드시 확인하십시오. 집진 장치를 사용하면 먼지와 관련된 위험을 줄일 수 있습니다.

전동 공구 사용 및 관리

- q) 전동 공구에 무리한 힘을 가하지 마십시오. 해당 용도에 맞는 올바른 전동 공구를 사용하십시오. 올바른 전동 공구를 사용해야 설계된 속도로 작업을 더욱 안전하고 정확하게 수행할 수 있습니다.
- r) 켜지지 않거나 꺼지지 않는 경우 전동 공구를 사용하지 마십시오. 스위치로 제어되지 않는 전동 공구는 위험하므로 수리해야 합니다.
- s) 전동 공구를 조정하거나 액세서리를 변경하거나 보관하기 전에 전원 및/또는 배터리 팩에서 플러그를 빼십시오. 이러한 예방적 안전 조치를 따라야 전동 공구가 갑자기 작동할 위험이 줄어듭니다.
- t) 사용하지 않는 전동 공구는 어린이의 손이 닿지 않는 곳에 보관하고, 전동 공구나 본 지시 사항에 익숙하지 않은 사람이 전동 공구를 절대 사용하지 못하게 하십시오. 전동공구에 대한 훈련을 받지 않은 사용자가 전동공구를 함부로 다룰 경우 예기치 않은 사고를 초래 할 수 있습니다.
- u) 전동 공구 유지 보수. 움직이는 부품의 잘못된 정렬이나 바인딩, 부품 파손 및 기타 전동 공구의 작동에 영향을 미칠 수 있는 기타 모든 상태를 확인하십시오. 손상된 부분이 있는 경우 사용하기 전에 전동 공구를 수리하십시오. 많은 사고는 전동 공구를 제대로 유지 보수하지 않아 발생합니다.
- v) 절단 공구를 예리하고 깨끗한 상태로 유지하십시오. 절삭 가장자리를 예리하게 잘 유지하면 절삭기를 사용할 때 바인딩이 적고 다루기가 용이합니다.

- w) 작업 환경과 수행할 작업을 고려하여, 본 지시 사항에 따라 전동 공구, 액세서리 및 톨 비트 등을 사용하십시오. 본 사용 설명서의 내용과 다른 용도로 전동 공구를 사용하면 위험한 상황이 발생할 수 있습니다.

배터리 공구 사용 및 관리

- x) 다시 충전할 때는 제조업체에서 지정한 충전기만 사용하십시오. 한 배터리 팩 유형에 적합한 충전기를 다른 배터리 팩과 함께 사용할 경우 화재의 위험이 있습니다.
- y) 전동 공구를 사용할 때는 특수 설계된 배터리 팩을 함께 사용하십시오. 다른 배터리 팩을 사용하면 부상을 입거나 화재의 위험이 있습니다.
- z) 배터리 팩을 사용하지 않을 때에는 클립, 동전, 키, 못, 나사 등의 금속 물체나, 단자 간에 연결할 수 있는 작은 금속 물체가 닿지 않도록 멀리 두십시오. 배터리 단자가 단락되면 화상을 입거나 화재가 발생할 위험이 있습니다.
- aa) 배터리를 과다 사용하면 배터리액이 흘러 나올 수 있는데 접촉을 피하십시오. 실수로 접촉한 경우에는 물로 씻으십시오. 액체가 눈에 들어가면 치료를 받으십시오. 배터리에서 나온 액체는 통증을 유발하거나 화상을 입힐 수 있습니다.

정비

- ab) 자격을 갖춘 기술자가 동일 교체 부품을 사용하여 정비 작업을 수행해야 합니다. 그래야 전동 공구의 안전이 보장됩니다.

모든 톨에 대한 안전 지시 사항

절단 절차

- a) **⚠ 위험: 절단 영역과 날에서 손을 멀리 두십시오.** 다른 손은 보조 핸들 또는 모터 하우징에 두십시오. 양손으로 톨을 잡고 있을 경우 날로 절단할 수 없습니다.
- b) 작업대 밑에 들어가지 마십시오. 가드가 있어도 작업대 아래의 작업자를 날로부터 보호할 수 없습니다.
- c) 절삭 깊이는 작업물의 두께로 조정하십시오. 작업물 아래로 톨의 전체 이보다 적게 보일 수 있어야 합니다.
- d) 절단 중에는 손으로 또는 다리 사이로 절삭되고 있는 조각을 잡지 마십시오. 작업물을 안정된 대에 고정하십시오. 신체 노출, 날 바인딩 또는 통제력 손실을 최소화하려면 작업물을 적절하게 지지하는 것이 중요합니다.
- e) 절삭 공구가 숨겨진 배선에 접촉할 수 있는 작업을 수행할 때는 절연된 그림핑 표면이 달도록 하여 전동 공구를 잡으십시오. "전류가 흐르는" 전선을 만지면 전동 공구의 노출된 금속 부품을 "전류가 흐르는" 상태로 만들어 작업자를 감전시킬 수도 있습니다.
- f) 떼어낼 때는 항상 립 펜스 또는 직선 자 가이드를 사용하십시오. 이렇게 하면 절단의 정확도가 개선되고 날 바인딩의 기회가 줄어듭니다.

- g) 항상 정확한 정자 구멍의 크기 및 모양 (다이아몬드 대 원형)의 날을 사용하십시오. 톨의 장착 장비와 맞지 않는 날은 중심을 벗어나 작동하여 통제력을 잃을 수 있습니다.
- h) 손상되었거나 정확하지 않은 날 와서 또는 볼트를 절대로 사용하지 마십시오. 날 와서 및 볼트는 최적의 성능 및 안전한 작동을 위해 톨에 맞게 특수 설계되었습니다.

모든 톨에 대한 안전 지시 사항

반동 원인 및 관련 경고

- 반동은 끼거나 걸리거나 어긋난 톨날에 대한 급작스러운 반작용으로, 통제되지 않은 톨이 위로 올라가 작업자 쪽으로 작업물 밖으로 나갈 수 있습니다.
- 날이 끼거나 절단 마무리로 인해 단단히 걸릴 때 날이 멈추고 모터 반작용이 장치를 빠르게 작업자 뒤쪽으로 밀어 넣는 현상입니다.
- 날이 절단 시 뒤틀리거나 어긋나는 경우, 날의 뒤쪽 가장자리의 이가 목재의 상부 표면을 파고들어 날이 절단을 벗어나 위로 움직여 작업자 뒤쪽으로 휩 움직일 수 있습니다.

반동은 톨을 잘못 사용하거나 잘못된 조작 절차 또는 조건으로 인해 발생할 수 있으며 아래와 같은 올바른 예방 조치를 통해 막을 수 있습니다.

- a) 톨을 두 손으로 팍 잡고 반동의 힘을 막을 수 있도록 팔의 위치를 잡습니다. 몸은 날의 어느 쪽이든 위치하되, 날의 라인과 일치하지 않도록 합니다. 반동은 톨이 뒤쪽으로 휩 움직일 수 있지만, 적절한 예방 조치를 취할 경우 반동의 힘은 작업자가 통제할 수 있습니다.
- b) 날이 바인딩할 때 또는 어떤 이유로든 절단을 중단할 때는 방아쇠를 놓고 날이 완전히 정지할 때까지 톨이 재료에서 움직이지 않게 잡고 있습니다. 날이 움직이고 있을 때 또는 반동이 발생할 수 있을 경우에는 작업에서 톨을 빼거나 톨을 뒤쪽으로 당기지 마십시오. 날 바인딩의 원인을 제거하려면 그 원인을 조사하여 정확한 조치를 취하십시오.
- c) 작업물에 톨을 다시 집어 넣을 때 톨니가 재료에 맞물리지 않도록 톨날을 절단 중앙에 두십시오. 톨날이 엇기는 경우, 톨이 다시 가동함에 따라 작업물에서 떨어지거나 반동될 수 있습니다.
- d) 큰 판을 지지하여 날이 끼고 반동되는 위험을 최소화하십시오. 큰 판은 자체 무게로 인해 휘는 경향이 있습니다. 판 아래 양쪽, 컷 라인 근처 및 판 가장자리 근처에 지지대를 놓아야 합니다.
- e) 무디거나 손상된 날을 사용하지 마십시오. 무디거나 또는 적절하지 않게 세팅한 날은 좁은 절삭을 만들어 과도한 마찰, 날 바인딩 및 반동을 야기할 수 있습니다.
- f) 절단을 하기 전에 날 깊이 및 베벨을 조정하는 잠금 레버를 조여서 고정해야 합니다. 절단하는 동안 날 조정을 바꿀 경우 바인딩 및 반동을 야기할 수 있습니다.

- g) 기존의 벽 또는 다른 앞이 안 보이는 영역에서 톱질을 할 때는 각별히 주의하십시오. 튀어 나온 날이 반동을 야기할 수 있는 물체를 뺄 수 있습니다.

진자 날 가드가 있는 톱에 대한 안전 지시 사항

하부 가드 기능

- a) 매번 사용하기 전에 적절한 마무리를 위해 하부 가드를 확인하십시오. 하부 가드가 잘 움직이지 않고 즉시 닫히지 않는 경우 톱을 작동하지 마십시오. 열려 있는 위치에서 하부 가드를 조이거나 묶지 마십시오. 톱을 실수로 떨어뜨릴 경우, 하부 가드가 훔 수 있습니다. 리트랙팅 핸들로 하부 가드를 올린 다음 잘 움직이는지 확인하고 절단의 모든 각도 및 깊이에서 날 또는 다른 부품을 만지지 마십시오.
- b) 하부 가드 스프링의 작동을 확인하십시오. 가드와 스프링이 적절하게 작동하지 않을 경우, 사용하기 전에 정비해야 합니다. 하부 가드는 손상된 부품, 고무진이 묻은 침전물 또는 잔해물 더미로 인해 느릿느릿 작동할 수 있습니다.
- c) "플러지 컷" 및 "컴파운드 컷"과 같은 특수한 절삭용만 하부 가드를 수동으로 집어 넣어야 합니다. 핸들을 집어 넣어 하부 가드를 올리고 날이 재료에 들어가는 즉시 하부 가드를 해제해야 합니다. 기타 모든 톱질의 경우 하부 가드가 자동으로 작동해야 합니다.
- d) 항상 벤치 또는 마루에 톱을 내려 놓기 전에 하부 가드가 날을 덮고 있는지 주시하십시오. 보호되지 않은 타성의 날이 톱을 뒤쪽으로 움직여 무엇이 있는지 간에 절삭할 수 있도록 합니다. 스위치를 놓은 후 날이 정지하는 데 걸리는 시간을 유의하십시오.

원형톱에 대한 추가 안전 지침

- 귀 보호 장구를 착용하십시오. 소음에 노출되면 청력이 손상될 수 있습니다.
- 방진 마스크를 착용하십시오. 분진에 노출되면 숨을 쉬기가 어렵고 부상당할 위험이 있을 수 있습니다.
- 권장하는 것보다 더 크거나 더 작은 날을 사용하지 마십시오. 적절한 정격 톱날에 대해서는 기술 데이터를 참조하십시오. EN 847-1을 준수하는, 본 사용 설명서에 지정된 날만 사용하십시오.
- 연삭 절단 휠을 사용하지 마십시오.
- 급수 부가 장치를 사용하지 마십시오.
- 클램프 또는 다른 적절한 방식을 이용하여 안정된 작업대에 작업물을 고정시키거나 지지하십시오. 작업물을 손으로 잡거나 몸으로 지탱하는 행동은 불안정하여 제어력을 잃을 수 있습니다.

기타 발생 가능한 위험

관련된 안전 규정을 준수하고 안전 장치를 사용한다고 해도 특정한 위험은 피할 수 없습니다. 이러한 위험은 다음과 같습니다.

- 청력 손상.
- 파편 날림으로 인한 신체 부상 위험.
- 작업 중 뜨거워지는 액세서리로 인한 화상 위험.
- 장시간 사용으로 인한 신체 부상의 위험.

전기 안전

전기 모터는 한 가지 전압에만 맞추어 설계되었습니다. 배터리 팩 전압이 명판에 기재된 전압과 일치하는지 항상 확인하십시오. 또한 충전기의 전압이 주전원의 전압과도 일치하는지 확인하십시오.



DeWALT 충전기는 IEC60335에 따라 이중 절연되어 있습니다. 따라서 접지선이 필요하지 않습니다.

전원 코드가 손상된 경우에는 DeWALT 서비스 센터를 통해 특수 제작된 코드로 교체해야만 합니다.

연장 케이블 이용

연장 코드는 가급적 사용하지 마십시오. 사용 중인 전원공급기 정격전원에 맞는 승인된 연장 코드를 사용하십시오(기술 데이터 참조). 최소 도체 크기는 1 mm², 최대 길이는 30 m입니다.

케이블 롤을 사용할 때는 항상 케이블을 완전히 푸십시오.

본 지침을 잘 보관해 두십시오.

충전기

DeWALT 충전기는 어떠한 조절 작업도 필요 없으며 최대한 작동하기 쉽게 설계되었습니다.

모든 배터리 충전기에 대한 중요한 안전 지침

본 지침을 잘 보관해 두십시오. 본 사용 설명서에는 호환이 되는 배터리 충전기에 대한 중요한 안전 및 작업 지침이 포함되어 있습니다(기술 데이터 참조).

- 충전기를 사용하기 전에 충전기, 배터리 팩, 그리고 배터리 팩 관련 제품에 대한 지침과 주의 표시를 숙지하십시오.



경고: 감전 위험. 충전기 내부에 액체가 들어가지 않도록 하십시오. 감전될 수 있습니다.



경고: 정격 전류 전류가 30mA 미만인 누전 차단기를 사용하는 것이 좋습니다.



주의: 화상 위험. 신체 부상의 위험을 줄이려면 DeWALT 충전용 배터리로만 충전하십시오. 다른 유형의 배터리는 폭발로 인한 신체 부상과 손상을 초래할 수 있습니다.



주의: 어린이가 본 제품을 가지고 놀지 못하도록 항상 주시해야 합니다.

참고: 특정 조건에서, 충전기가 전원 공급기에 연결되어 있으면 충전기 내부에 노출된 충전 접점이 이물질에 의해 단락될 수 있습니다. 철부스러기, 알루미늄 호일, 금속 입자 축적물 등의 전도성 이물질은 충전기 캐비티에 닿지 않게 해야 합니다. 캐비티 안에 배터리 팩이 없을 경우 항상 배터리 전원 공급기에서 충전기의 플러그를 뽑으십시오. 충전기를 청소할 때는 플러그를 뽑아야 합니다.

- 본 사용 설명서에 명시된 충전기 외의 다른 충전기로 배터리 팩을 충전하지 마십시오. 본 충전기와 배터리 팩은 함께 사용하도록 특수 설계되었습니다.
- 이러한 충전기는 DeWALT 충전용 배터리 충전 이외의 용도로는 사용할 수 없습니다. 다른 용도로 사용하면 화재, 감전 또는 감전사의 위험이 있습니다.
- 충전기가 비나 눈을 맞지 않도록 하십시오.
- 충전기를 분리할 경우 코드가 아니라 플러그를 뽑으십시오. 그래야만 전기 플러그 및 코드 손상의 위험이 줄어듭니다.
- 코드가 밟히거나 걸리거나 기타 원인에 의해 손상되거나 압박을 받지 않도록 유의하십시오.
- 불가피한 경우가 아니면 연장 코드를 사용하지 마십시오. 연장 코드를 잘못 사용하면 화재, 감전 또는 감전사의 위험이 있습니다.
- 충전기 위에 물건을 올려놓거나 부드러운 표면에 충전기를 두면 환기 슬롯이 막혀 내부가 과열될 수 있습니다. 충전기는 열원에 가까이 두지 마십시오. 충전기는 하우징의 상단과 하단에 있는 슬롯을 통해 환기됩니다.
- 코드나 플러그가 손상된 충전기를 작동시키지 마십시오 — 즉시 교체하십시오.
- 심한 충격을 받았거나 떨어뜨렸거나 어떠한 식으로든 손상된 경우에는 충전기를 작동시키지 마십시오. 공인 서비스 센터로 가져가십시오.
- 충전기를 분해하지 마십시오. 서비스나 수리가 필요한 경우에는 공인 서비스 센터로 가져가십시오. 잘못 재조립하면 화재, 감전 또는 감전사의 위험이 있습니다.
- 전원 코드가 손상된 경우 사고 방지를 위해 제조업체, 서비스 대리점 또는 이에 준하는 유자격 수리 기술자를 통해 즉시 교체하십시오.
- 청소하려면 먼저 충전기를 콘센트에서 분리하십시오. 그래야 감전 위험이 줄어듭니다. 배터리 팩을 제거하는 것만으로 이러한 위험이 줄어들지는 않습니다.
- 절대로 충전기 두 개를 함께 연결하지 마십시오.
- 충전기는 가정용 표준 전력(220V)에서 작동하도록 설계되어 있습니다. 다른 전압에서는 사용하지 마십시오. 차량용 충전기는 제외됩니다.

배터리 충전(그림 A)







1. 배터리 팩을 끼우기 전에 충전기를 적절한 콘센트에 꽂습니다.
2. 충전기에 배터리 팩 ③ 을 끼우고 배터리 팩이 완전히 장착되었는지 확인하십시오. 빨간색(충전 중) 표시등이 반쪽씩 깜박이면서 충전 프로세스가 시작되었음을 알립니다.

3. 충전이 완료되면 빨간색 불이 계속 켜져 있습니다. 배터리 팩이 완전히 충전되면 바로 사용하거나 충전기에 그대로 둡니다. 배터리 팩을 충전기에서 분리하려면, 배터리 팩에 있는 배터리 탈착 버튼 ⑬ 을 누릅니다.

참고: 리튬이온 배터리 팩의 성능과 수명을 극대화하려면 처음 사용하기 전에 배터리 팩을 완전히 충전시키십시오.

충전기 작동

배터리 팩의 충전 상태는 아래 표시등을 참조하십시오.

충전 표시등	
	충전 중 
	완전 충전됨 
	냉/온 팩 지연* 

*빨간색 표시등이 계속 깜박거리지만, 노란색 표시등은 이 작동 동안 계속 켜져 있습니다. 배터리 팩이 적정 온도에 도달하면, 노란색 표시등이 꺼지고 충전기에서 충전 절차를 다시 시작합니다.

이 호환 충전기는 결함이 있는 배터리 팩은 충전하지 못합니다. 충전기는 불이 켜지지 않거나 문제가 있는 팩을 표시하거나 충전기의 깜빡이는 패턴으로 배터리 고장을 나타냅니다.

참고: 이는 충전기 고장을 의미할 수도 있습니다. 충전기에 문제가 표시되는 경우 충전기와 배터리 팩을 공인 서비스 센터로 가져 가서 테스트를 받아 보십시오.

냉/온 팩 지연

충전기에서 너무 뜨겁거나 차가운 배터리 팩이 감지되면, 냉/온 팩 지연이 자동으로 시작되어 배터리 팩이 적절한 온도가 될 때까지 충전이 중단됩니다. 이 과정이 끝나면 충전기가 자동으로 팩 충전 모드로 전환됩니다. 이 기능은 배터리 팩 수명을 최대한으로 보장하기 위한 것입니다. 차가운 배터리 팩은 따뜻한 배터리 팩보다 더 느린 속도로 충전됩니다. 충전 사이클 전체에 걸쳐 배터리 팩은 이렇게 느린 속도로 충전되며 배터리 팩이 따뜻해지더라도 최대 충전 속도로 복원되지 않습니다. DCB118 충전기에는 배터리 팩을 식히기 위해 설계된 내장 팬이 장착되어 있습니다. 배터리 팩을 식혀야 하면 팬이 자동으로 켜집니다. 팬이 제대로 작동하지 않거나 환기구가 막혀 있을 경우 충전기를 작동하지 마십시오. 이물질이 충전기 내부로 들어가지 않도록 하십시오.

전자 보호 시스템

XR 리튬이온 배터리 팩은 배터리에 과부하가 걸리거나 과열 또는 완전 방전되는 것을 방지하는 전자 보호 시스템으로 설계되었습니다.

이 공구는 전자 보호 시스템이 작동하면 자동으로 꺼집니다. 이러한 경우 리튬 이온 배터리가 완전히 충전될 때까지 충전기에 리튬 이온 배터리 팩을 넣으십시오.

벽 장착

이들 충전기는 테이블 또는 작업 표면에 똑바로 세우거나 벽에 장착할 수 있도록 설계되었습니다. 벽에 장착하는 경우, 충전기는 전기 콘센트에 닿을 수 있는 범위 내에 놓고, 공기 흐름이 방해될 수 있는 코너 또는 기타 장애물로부터 멀리 두십시오. 벽에서 장착 나사의 위치는 견본으로 충전기의 뒤쪽을 사용하십시오. 나사 머리 직경이 7-9mm인 최소 25.4 mm 길이의 석고보드 나사(별도 구매)를 사용해서 충전기를 단단히 장착하고, 노출된 나사의 약 5.5 mm를 남겨두고 최적의 길이로 목재에 고정합니다. 충전기 뒤쪽의 구멍을 노출되어 있는 나사에 맞추고 구멍에 완전히 맞물리도록 하십시오.

충전기 청소 지침

경고: 감전 위험. 청소하려면 먼저 충전기를 AC 콘센트에서 분리하십시오. 향긋이나 부드러운 금속 이쥰기로 충전기 외관 부분에 묻은 먼지 및 기름을 제거할 수 있습니다. 물이나 세척제를 사용하지 마십시오. 공구 내부에 액체를 넣거나 공구 부품을 액체에 담그는 행동은 절대 금물입니다.

배터리 팩

모든 배터리 팩에 대한 중요한 안전 지침

배터리 팩 교체를 하기 위해 주문할 때는 카탈로그 번호와 전압을 반드시 확인하고 표기해야 합니다. 배터리 팩은 포장박스에서 꺼낼 때 완전히 충전된 상태가 아닙니다. 배터리 팩과 충전기를 사용하기 전에 아래 안전 지침을 숙독하십시오. 그런 다음 설명된 충전 절차를 따르십시오.

모든 지시 사항을 읽으십시오.

- 가연성 액체, 가스 또는 먼지 등 폭발 위험이 있는 환경에서 배터리를 충전하거나 사용하지 마십시오. 배터리를 끼우거나 충전기에서 분리할 때 먼지나 가스에 불이 붙을 수 있습니다.
- 충전기에 배터리 팩을 끼울 때 과도한 힘을 주지 마십시오. 어떤 형태로든 호환되지 않는 충전기에 사용하기 위해 배터리 팩을 개조하지 마십시오. 배터리 팩이 파열되어 심각한 부상을 유발할 수 있습니다.
- DEWALT 충전기에서만 배터리 팩을 충전하십시오.
- 물이나 기타 액체가 튀어 묻거나 액체에 빠지지 않도록 하십시오.
- 온도가 40 °C (104 °F)를 초과할 수 있는 곳(여름철 하층 창고 또는 금속 건물 등)에 공구와 배터리 팩을 보관하거나 사용하지 마십시오.
- 배터리 팩이 심하게 손상되거나 완전히 낡았다더라도 절대 소각하지 마십시오. 배터리 팩은 불 속에서 폭발할 수 있습니다. 리튬이온 배터리 팩은 연소되면서 독성 연기와 물질을 발생시킵니다.
- 배터리 내용물이 피부에 닿으면 즉시 중성 세척제로 해당 부위를 씻으십시오. 배터리액이 눈에 들어갔을 경우, 15분 정도 또는 통증이 가실 때까지 눈을 뜨고 물로 씻어냅니다. 치료가 필요한 경우를 위해, 배터리 전해질은 액체 유기 탄산염과 리튬염의 혼합물로 구성되어 있음을 알아 두십시오.

- 열린 배터리 셀의 내용물은 호흡기 질환을 일으킬 수 있습니다. 신선한 공기를 마시십시오. 증상이 계속되면 치료를 받으십시오.

- 경고: 화상 위험.** 배터리액은 불꽃이나 화염에 노출되면 연소될 수 있습니다.
- 경고: 어떤 이유로든 배터리 팩을 절대 분해하지 마십시오.** 배터리 팩 케이스가 깨지거나 손상되면 충전기에 넣지 마십시오. 배터리 팩을 몽개거나 떨어뜨리거나 손상시키지 마십시오. 강한 충격을 받았거나, 떨어뜨렸거나, 차에 치였거나 기타의 원인으로 어떤 방식으로든 손상된(못이 박히거나 망치로 맞았거나 밟힘) 배터리 팩이나 충전기는 사용하지 마십시오. 감전 또는 감전사의 위험이 있습니다. 손상된 배터리 팩은 재활용을 위해 서비스 센터에 반환해야 합니다.
- 경고: 화재 위험.** 배터리 팩을 보관하거나 휴대할 때는 노출된 배터리 단자에 금속 물체가 닿지 않도록 하십시오. 예를 들어, 못, 나사, 키 등이 있는 앞치마, 주머니, 도구상자, 제품 키트 상자, 사람 등에 배터리 팩을 두지 마십시오.
- 주의: 사용하지 않는 공구는 걸려 넘어지거나 떨어질 위험이 없는 안정된 표면에 놓혀 두십시오.** 배터리 팩이 큰 일부 공구들은 배터리 팩 위에 바로 서 있지만 쉽게 넘어질 수 있습니다.

운반

- 경고: 화재 위험.** 배터리를 운반할 때 배터리 단자가 실수로 전도성 물질과 닿을 경우 화재 위험의 가능성이 있습니다. 배터리를 운반할 경우에는 배터리 단자가 보호되어 있고, 물체에 닿을 경우 단락을 일으킬 수 있는 물체로부터 제대로 절연되어 있는지 확인하십시오.

DEWALT 배터리는 위험물운송규칙(Transport of Dangerous Goods), IATA (International Air Transport Association, 국제 항공 운송 협회) 위험물 규정, IMDG (International Maritime Dangerous Goods, 국제해상위험물운송) 규칙 및 위험물 도로운송에 관한 ECE의 규칙(European Agreement Concerning The International Carriage of Dangerous Goods by Road, ADR) 에 대한 UN 권고사항을 포함하여, 산업 및 법적 기준에 의한 규정에 따라 모든 해당 운송 규정을 준수하고 있습니다. 리튬 이온 전지 및 배터리는 위험 화물 테스트 및 기준 설명서에 대한 UN 권고 38.3항에 따라 테스트되었습니다.

대개의 경우에, DEWALT 배터리 팩 해상 운송은 완전 규제를 받는 Class 9 위험 물질로 분류되는 것에서 제외됩니다. 일반적으로, 에너지효율 등급이 100 와트시 (Wh)보다 큰 리튬 이온 배터리를 포함하는 수송품만 완전 규제를 받는 Class 9에 따라 수송되어야 합니다. 모든 리튬 이온 배터리에는 팩에 와트시 등급이 표시되어 있습니다. 뿐만 아니라, 규정의 복잡성으로 인해 DEWALT는 와트 시 등급에 상관 없이 항공 운송 리튬 이온 배터리 팩을 단독으로 권장하지 않습니다. 배터리 팩의 와트시 등급이 100 Whr보다 크지 않을 경우는 제외됨으로 배터리(콤보 키트)가 포함된 공구의 수송품을 항공 운송할 수 있습니다.

수송품이 예외로 고려되든지 또는 완전 규제를 받든지 상관없이, 포장, 라벨링/표시 및 문서 요건에 관한 최신 규정을 참고하는 것은 운송 회사의 책임입니다.

설명서의 본 섹션에서 제공하는 정보는 성실하게 제공되며 문서가 작성될 당시에는 정확한 것으로 간주합니다. 단, 명시적이거나 함축적으로 보증은 제공되지 않습니다. 활동 시 해당 규정을 준수하는 것은 구매자의 책임입니다.

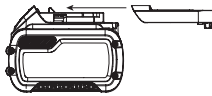
FLEXVOLT™ 배터리 운반

DEWALT FLEXVOLT™ 배터리에는 두 개의 모드, 즉 **사용** 및 **운반**이 있습니다.

사용 모드: FLEXVOLT™ 배터리는 독립되어 있거나 DEWALT 18V(최대20V) 제품 안에 있을 경우, 18V(최대 20V) 배터리로 작동됩니다. FLEXVOLT™ 배터리는 54V(최대 60V) 또는 108V(최대 120V) (두 개의 54V(최대 60V) 배터리) 제품이면, 54V(최대 60V) 배터리로 작동됩니다.

운반 모드: 캡이 FLEXVOLT™ 배터리에 장착되어 있으면, 배터리는 운반 모드에 있는 것입니다. 운송 시 캡을 유지하십시오.

운반 모드에 있을 때, 더 높은 와트시 등급의 배터리 1개에 비해 더 낮은 와트시(Wh)



등급의 배터리 3개가 되는 팩 내에서 일련의 셀은 전기 연결이 끊어져 있습니다. 와트시 등급이 더 낮은 이 증가된 배터리 3개 수량은 더 높은 와트시 배터리에 부과되는 특정 수송 규정에서 팩을 면제시킬 수 있습니다.

예를 들어, 운반 Wh 정격은 3 x 36 Wh 를 나타내며, 각 36 Wh 배터리 3개를 의미합니다. 사용 Wh 정격은 108 Wh 를 나타낼 수 있습니다(1개 배터리 포함).



보관 권장 사항

1. 보관 장소로는 직사광선을 받지 않고 지나치게 덥거나 춥지 않은 시원하고 건조한 곳이 가장 좋습니다. 최적의 배터리 성능과 수명을 위해, 사용하지 않을 때에는 배터리 팩을 실온에서 보관하십시오.
2. 장기간 보관하는 경우, 최적의 결과를 위해 완전히 충전된 배터리 팩을 충전기에서 분리하여 차갑고, 건조한 장소에 보관하는 것이 좋습니다.

참고: 배터리 팩은 완전히 방전된 상태로 보관해서는 안됩니다. 사용 전에 배터리 팩을 재충전해야 합니다.

충전기 및 배터리 팩에 부착된 라벨

본 설명서에 사용된 그림 외에도 충전기 및 배터리 팩에 부착된 레이블에는 다음과 같은 그림이 표시되어 있습니다.



사용 전에 사용 설명서의 내용을 숙지하십시오.



총전 시간은 **기술 데이터**를 참조하십시오.



전도성 있는 물체로 시험하지 마십시오.



손상된 배터리 팩을 충전하지 마십시오.



물에 닿지 않도록 하십시오.



손상된 코드는 즉시 교체하십시오.



4 °C ~ 40 °C 사이에서만 충전하십시오.



실내 전용.



환경 보호 차원에서 배터리 팩을 폐기하십시오.



지정된 DEWALT 충전기¹로만 DEWALT 배터리 팩을 충전하십시오. DEWALT 충전기에 지정된 DEWALT 배터리 이외의 배터리 팩을 충전하면 폭발하여 다른 위험한 상황으로 이어질 수 있습니다.



배터리 팩을 소각하지 마십시오.



사용(운반 캡 미포함). 예: Wh 정격은 108 Wh 를 나타냅니다(108 Wh 배터리 1개).



운반(내장 운반 캡 포함). 예: Wh 정격은 3 x 36 Wh (36 Wh 배터리 3개)를 나타냅니다.

배터리 유형

DCS570은 18볼트(20V최대) 배터리 팩으로 작동됩니다. 이러한 배터리 팩은 다음을 사용할 수 있습니다. DCB181, DCB182, DCB183, DCB183B, DCB184, DCB184B, DCB185, DCB187, DCB546, DCB547. 자세한 정보는 **기술 데이터**를 참조하십시오.

포장 내용물

포장에는 다음 내용물이 들어 있습니다.

- 1 원형통
- 1 원형 톨날
- 1 날 렌치
- 1 수평 펜스
- 1 집진 장치 포트
- 1 충전기(C, D, L, M, P, S, T, X 모델)
- 1 리튬 이온 배터리 팩(C1, D1, L1, M1, P1, S1, T1, X1 모델)
- 2 리튬 이온 배터리 팩(C2, D2, L2, M2, P2, S2, T2, X2 모델)
- 3 리튬 이온 배터리 팩(C3, D3, L3, M3, P3, S3, T3, X3 모델)
- 1 사용 설명서

- 운반 중에 발생할 수 있는 공구, 부품 또는 액세서리의 손상 여부를 확인하십시오.
- 작동 전에 시간을 내어 본 사용 설명서를 읽고 숙지하십시오.

공구에 표시된 마크

공구에는 다음과 같은 그림이 있습니다.



사용 전에 사용 설명서의 내용을 숙지하십시오.



귀 보호 장구를 착용하십시오.



보안경을 착용하십시오.



가시 방사선이므로, 쳐다보지 마십시오.

날짜 코드 위치(그림 A)

날짜 코드 **19**에는, 제조년도가 포함되어 이 제조년도는 케이스에 인쇄되어 있습니다.

예:

2021 XX XX
제조년도

설명(그림 A)

경고: 전동 공구 또는 전동 공구의 어떤 부품도 절대 개조하지 마십시오. 제품이 파손되거나 신체 부상을 당할 수도 있습니다.

- 1 방아쇠 스위치 락오프 버튼
- 2 방아쇠 스위치
- 3 배터리 팩
- 4 깊이 조절 레버(그림 E)
- 5 기판
- 6 하부 날 가드 리트랙팅 레버
- 7 하부 날 가드
- 8 날 클램핑 나사
- 9 절단 표시기
- 10 베벨 조정 레버
- 11 스피들 잠금 버튼
- 12 보조 핸들
- 13 배터리 탈착 버튼
- 14 날 렌치(그림 E)
- 15 작업등
- 16 레이퍼 후크

용도

본 헤비듀티 원형톱은 전문가용 목재 절단용으로 설계되었습니다. 금속, 플라스틱, 콘크리트, 석재 또는 섬유 시멘트 등을 절단하지 마십시오. 이 톱에는 급수 부가 장치를 사용하지 **마십시오**. 연마 휠 또는 날을 사용하지 **마십시오**. 습한 환경이나 가연성 액체 또는 가스가 있는 장소에서 사용하지 **마십시오**.
본 헤비듀티 원형톱은 전문가용 전동 공구입니다.

어린이가 이 공구를 만지지 **않도록 하십시오**. 경험이 없는 작업자가 이 공구를 사용할 때는 감독자의 지도가 필요합니다.

- **어린이 및 노약자:** 본 제품은 어린이나 노약자가 사용하도록 설계되지 않았습니다. 이러한 사람이 사용할 때는 감독이 필요합니다.
- 본 제품은 안전 책임을 맡고 있는 사람이 감독을 하고 있지 않는 한 경험, 지식 또는 기술이 부족하고 신체적, 감각적 또는 정신적 능력이 미약한 사람(어린이 포함)이 사용하도록 고안된 것이 아닙니다. 이 제품과 함께 어린이만 혼자두어서는 안됩니다.

조립 및 조정



경고: 심각한 신체 부상의 위험을 줄이려면 공구를 조정하거나 부착물 또는 액세서리를 제거/설치하기 전에 공구를 끄고 배터리 팩을 분리하십시오. 공구가 갑자기 작동하여 부상을 당할 수 있습니다.



경고: DeWALT 배터리 팩과 충전기만 사용하십시오.

배터리 팩 삽입 및 공구에서 배터리 팩 분리(그림 A)

참고: 배터리 팩 **3** 이 완전히 충전되었는지 확인하십시오.

배터리 팩을 공구 핸들에 설치하려면

1. 공구 핸들 안쪽의 레일에 배터리 팩 **3** 을 맞춥니다 (그림 A).
2. 공구에 배터리 팩이 견고하게 장착될 때까지 핸들에 밀어 넣고 딸깍하고 잠기는 소리가 들리는지 확인하십시오.

공구에서 배터리 팩을 분리하려면

1. 탈착 버튼 **13** 을 누르고 배터리 팩을 공구 핸들에서 완전히 빼냅니다.
2. 본 사용 설명서의 충전기 섹션에 설명된 대로 배터리 팩을 충전기에 삽입합니다.

잔량표시계 배터리 팩(그림 A)

일부 DeWALT 배터리 팩에는 배터리 팩의 남아 있는 충전 레벨을 표시하는 세 개의 녹색 LED 등으로 구성된 연료계가 포함되어 있습니다.

연료계를 작동시키려면, 잔량표시계 버튼 **32** 을 길게 누릅니다. 녹색 LED 표시등 3개가 조합되어 켜짐으로써 충전 잔량 수준을 나타냅니다. 배터리 잔량이 사용 가능한 한계치 미만이면 배터리 잔량표시계가 켜지지 않으며 배터리를 재충전해야 합니다.

참고: 연료계는 배터리 팩에 남아 있는 충전 레벨을 나타내는 것일 뿐입니다. 공구의 기능성을 나타내는 것이 아니며 제품 구성품, 온도 및 최종 사용자의 용도에 따라 변경될 수 있습니다.

날 교환하기

날을 설치하려면(그림 C-E)

1. 배터리를 제거합니다.
2. 하부 가드 레버 **6** 를 사용하여 하부 날 가드 **7** 를 집어넣고 안쪽의 클램프 와서 **17** 와 맞닿은 톱 스펀들에 날을 두어서, 날이 적절한 방향으로 회전하도록 하십시오(톱날 및 톱니의 회전 화살표 방향은 톱의 회전 화살표 방향과 동일한 방향을 가리켜야 합니다). 제대로 설치된 경우 날의 프린팅이 항상 마주보고 있을 것이라고 가정하지 마십시오. 날을 설치하기 위해 하부 날 가드를 집어넣을 때, 하부 날 가드의 상태 및 작동을 점검하여 제대로 작동하고 있는지 확인하십시오. 자유롭게 움직이는지 확인하고 모든 각도 및 절삭 깊이에서 날이나 기타 모든 부품을 만지지 마십시오.
3. 베벨한 가장자리가 밖을 향하고 있는 상태에서 외부 클램프 와서 **16** 를 톱 스펀들에 놓습니다. 날의 중심에 오도록 하면서 클램프 날 쪽의 30 mm 직경이 톱날에서 30 mm 구멍에 맞추었는지 확인하십시오.
4. 손으로 날 클램핑 나사 **8** 를 톱 스펀들에 가웁니다 (나사에 오른손잡이 나사니가 있으므로 시계 방향으로 돌려 조여야 합니다).
5. 날 잠금 장치가 작동되고 날이 회전을 멈출 때까지 배터리 함 밑에 보관되어 있는 날 렌치 **14** 로 톱 스펀들을 돌리는 동안 날 잠금 장치 **11** 를 누릅니다.
6. 날 렌치를 사용하여 날 클램핑 나사를 단단히 조입니다.

참고: 톱이 돌고 있을 때 날 잠금 장치를 작동하거나 공구를 멈추려고 하지 마십시오. 날 잠금 장치가 작동하고 있을 때는 톱을 켜지 마십시오. 톱이 심하게 손상될 수 있습니다.

날을 교체하려면(그림 C, D)

1. 배터리를 제거합니다.
2. 날 클램핑 나사 **8** 를 풀려면, 날 잠금 장치 **11** 를 누르고 날 잠금이 작동하고 날이 회전을 정지할 때까지 배터리 함 밑에 보관되어 있는 날 렌치 **14** 를 사용하여 톱 스펀들을 돌립니다. 날 잠금 장치를 작동한 상태에서, 날 렌치로 날 클램핑 나사를 시계 반대 방향으로 돌립니다(나사에는 오른손잡이 나사니가 있으므로 시계 반대 방향으로 돌려 풀어야 합니다).
3. 날 클램핑 나사 **8** 와 외부의 클램프 와서 **16** 를 제거하십시오. 낡은 날을 제거하십시오.
4. 가드 또는 클램프 와서 영역에 쌓일 수 있는 톱밥을 청소하고 이전에 설명한 대로 하부 날 가드의 상태 및 작동을 점검하십시오. 이 부분은 원활하지 마십시오.
5. 용도에 맞는 적절한 날을 선택합니다(날 참조). 항상 톱 스펀들에 장착할 적절한 크기 및 모양의 센터 구멍이 있는 정확한 크기(직경)의 날을 사용하십시오. 항상 톱날의 최대 권장 속도(rpm)가 톱의 속도(rpm)에 일치하거나 초과하는지 확인하십시오.
6. 날 설치하기 하의 1~5 단계에 따라, 날이 올바른 방향으로 회전하고 있는지 확인하십시오.

하부 날 가드



경고: 하부 날 가드는 심각한 신체 부상의 위험을 줄이는 안전한 기능입니다. 하부 가드가 빠졌거나, 손상되었거나, 잘못 조립되었거나 제대로 작동하고 있지 않을 경우에는 톱을 사용하지 마십시오. 모든 상황에서 하부 날 가드가 사용자를 보호해 줄 것으로 생각하지 마십시오. 사용자의 안전은 톱의 올바른 작동은 물론 모든 경고 및 주의 사항을 준수하는 것에 달려 있습니다. 매번 사용하기 전에 적절한 마무리를 위해 하부 날 가드를 확인하십시오. 하부 가드가 빠졌거나 잘 작동하지 않을 경우, 사용하기 전에 수리를 받으십시오. 제품의 안전성과 신뢰성을 보장하려면, 공인 서비스 센터 또는 기타 유자격 서비스 기관에서 항상 동일한 교체 부품을 사용하여 수리, 유지보수 및 조정을 수행해야 합니다.

하부 가드 확인(그림 A)

1. 공구를 끄고 전원 장치에서 분리합니다.
2. 하부 가드 레버 (그림 A, **6**) 완전히 닫힌 위치에서 완전히 열린 위치로 돌립니다.
3. 레버를 풀고 가드 **7** 가 완전히 닫힌 위치로 복귀하는지 살펴봅니다.

다음의 경우 공구를 유자격 서비스 센터에서 정비를 받아야 합니다.

- 완전히 닫힌 위치로 복귀되지 않거나,
- 간헐적으로 또는 천천히 움직이거나
- 공구의 날 또는 부품이 모든 각도 및 절삭 깊이에서 맞닿는 경우.

톱날



경고: 눈 부상의 위험을 최소화하려면 항상 눈 보호 장구를 사용하십시오. 카바이드는 딱딱하지만 잘 부러집니다. 작업물에 전선이나 못 등의 이물질은 균열이나 깨지는 원인이 될 수 있습니다. 적절한 톱날 가드가 제자리에 있을 때에만 톱을 조작하십시오. 사용하기 전에 적절한 차례로 날을 장착하고 항상 깨끗하고 날카로운 날을 사용하십시오.



경고: 이 톱으로 금속, 플라스틱, 콘크리트, 석재 또는 섬유 시멘트 등을 절단하지 마십시오.

184 mm 직경	
용도	치
립	24
일반 용도	36
마감 처리	60

날에 관하여 도움이 필요할 경우, 해당 지역에 있는 DEWALT 판매점에 문의하십시오.

반동

반동은 끼거나 튀거나 오용된 톱날에 대한 급작스러운 반작용으로, 통제되지 않은 톱이 위로 올라가 작업자 쪽으로 작업물 밖으로 나갈 수 있습니다. 날이 끼거나 절단 마무리로 인해 약간 툴 때 날이 멈추고 모터 반작용이 장치를 빠르게 작업자 뒤쪽으로 밀어 넣는 현상입니다. 날이 절단 시 뒤틀리거나 어긋나는 경우, 날의 뒤쪽 가장자리의 이가 목재의 상부 표면을 파고들어 날이 절단을 벗어나 위로 움직여 작업자 뒤쪽으로 획 움직일 수 있습니다.

다음 조건 중 하나가 존재하는 경우 반동이 발생할 가능성이 더 많습니다.

1. 부적절한 작업을 지시대

- a. 절단할 조각이 처지거나 잘못 들리면 날의 꺾음 유발할 수 있고 반동을 유발할 수 있습니다.
- b. 외부 끝에서 지지되어 있는 재료를 통한 절단만 반동을 야기할 수 있습니다. 재료가 약해짐에 따라 날 끼임과 절단 마무리로 인해 늘어집니다(그림 N).
- c. 수직 방향에서 거꾸로부터 캔들레버하거나 돌출된 재료 조각을 절단하면 반동을 야기할 수 있습니다. 떨어지는 절단 조각은 날이 끼이게 할 수 있습니다.
- d. 길고 좁은 조각 절단(리빙에서 처럼)은 반동을 야기할 수 있습니다. 절단한 조각은 절단 마무리 및 날 끼임으로 인해 늘어지거나 비틀릴 수 있습니다.
- e. 절단되는 재료 아래의 표면으로 하부 가드가 걸리면, 잠깐 동안 작업자가 제동력을 잃을 수 있습니다. 톱이 부분적으로 절단물 밖으로 올라가 날이 비틀릴 수 있습니다.

2. 톱에 중요한 절삭 깊이 설정

- a. 가장 효율적인 절단을 하려면, 그림 F에서 보이는 것과 같이 날이 치를 충분히 노출하도록 튀어나와야 합니다. 이를 통해 기판이 날을 지지하고 재료가 비틀리고 끼이는 것을 최소화할 수 있습니다. **절삭 깊이 조정**이라는 섹션을 참조하십시오

3. 날 비틀림(절삭 시 잘못된 정렬)

- a. 웅이, 못 또는 경림 부분을 절단하기 위해 더 세게 누르면 날이 비틀릴 수 있습니다.
- b. 절단 시 톱을 돌리려고 하면(표시한 선으로 되돌리려고 하면) 날이 비틀릴 수 있습니다.
- c. 제어가 잘 안 되는 상태에서 톱을 조작하거나 앞서 나가면(불균형), 날이 비틀릴 수 있습니다.
- d. 절단 중에 손을 잡는 방식 또는 몸의 위치를 바꾸면 날이 비틀릴 수 있습니다.
- e. 톱을 깨끗하게 만들기 위해 톱을 지지하면 날이 비틀릴 수 있습니다.

4. 각별한 주의를 요하는 재료

- a. 젖은 목재
- b. 생채(갓 베었거나 인공 건조하지 않은 재료)
- c. 압력 약품 처리된 목재(보존료 또는 방부 화학 약품으로 처리한 재료)

5. 무디거나 더러운 날의 사용

- a. 무딘 날은 톱의 작업량을 증가시킵니다. 이를 보상하기 위해 작업자는 대개 더 세게 밀어서 톱에 추가적인 작업량을 가하는데 이로 인해 큰 자국에서 날이 더 비틀리게 만듭니다. 마모된 날 또한 바인딩 및 작업량 증가의 가능성을 높여 보다 클리어런스가 불충분해 질 수 있습니다.

6. 베벨 절단 시 톱 올리기

- a. 베벨 절단을 할 때, 특히 톱의 유도 등 적절한 절단 기법에서 작업자가 각별히 주의해야 합니다. 재료에서 기판 및 더 큰 날 표면에 대한 양쪽 날 각도는 바인딩 및 잘못된 정렬(뒤틀림)이 발생할 가능성이 커집니다.

7. 톱니가 재료에 낀 상태에서 절단 다시 시작하기

- a. 날을 낀 상태에서 절삭을 시작하거나 장치가 정지한 후 다시 시작하기 전에 톱을 최대 작동 속도로 올려야 합니다. 그렇게 하지 않으면 실속 및 반동을 야기할 수 있습니다.

날의 꺾, 바인딩, 비틀림 또는 잘못된 정렬을 일으킬 수 있는 모든 상태는 반동을 야기할 수 있습니다. 반동의 발생을 최소화시키는 절차 및 기술에 대해서는 **원형톱에 특정하게 적용되는 추가 안전규칙 및 톱날** 섹션을 참조하십시오.

절삭 깊이 조정(그림 E-F)

1. 깊이 조정 레버 ④ 를 올려서 폼니다.
2. 정확한 깊이로 절단하려면, 깊이 조정 끈 ②0 의 표시를 상부 날 가드의 노치 ①9 에 맞춥니다.
3. 깊이 조정 레버를 조입니다.
4. 초경 텅 톱날을 사용하여 가장 효율적인 절단을 위해, 톱니의 약 절반이 절단할 나무 표면 아래로 튀어나오도록 깊이 조정을 설정합니다.
5. 정확한 절삭 깊이에 대한 확인 방법은 그림 F에 표시되어 있습니다. 그림에 표시된 것처럼, 날의 측면에 따라 절단할 재료의 조각을 놓고 얼마나 많은 톱니가 재료 이상으로 튀어나왔는지 살펴봅니다.

깊이 조정 레버 조정(그림 E)

베벨 조정 레버 ④ 를 조정하는 것이 바람직할 수 있습니다. 시간 내 풀려서 조이기 전에 기판을 칠 수 있습니다.

레버를 조이려면:

1. 깊이 조정 레버 ④ 를 잡고 고정 나사 ①8 를 폼니다.
2. 분당 회전 의 약 1/8로 원하는 방향으로 돌려서 깊이 조정 레버를 조정합니다.
3. 너트를 다시 조입니다.

베벨각 조정(그림 A, G)

베벨각 조정 기계 장치는 0° ~ 57° 사이에서 조절할 수 있습니다.

절단 시 보다 정확도를 높이려면, 중심축 브래킷 ②1 에 위치한 미세 조정 표시를 사용하십시오.

1. 베벨 조정 레버 ⑩ 를 올려 폼니다.
2. 기판을 중심축 브래킷 ②1 의 원하는 각도 표시로 미세 포인터 ②2 를 조정하여 원하는 각도로 기울입니다.
3. 베벨 조정 레버를 낮추어 다시 조입니다.

베벨 멈춤쇠(그림 A, G)

DCS570에는 베벨 멈춤쇠 기능이 장착되어 있습니다. 기판 **5** 을 기울이면, 22.5 및 45도에서 짹짹 소리가 들리고 기판이 멈추는 것을 느낄 수 있습니다. 이러한 것 중의 하나가 원하는 각도일 경우, 레버를 낮추어 레버 **10** 를 다시 조입니다. 다른 각도를 원할 경우, 굽은 베벨 포인터 **22** 또는 미세 포인터 **23** 가 원하는 표시에 일치할 때까지 기판을 계속 기울이십시오.

절단 길이 표시기(그림 A)

기판 **5** 측면의 표시는 절단의 전체 길이에서 슬롯의 길이가 재료에서 절단되는 것을 보여줍니다. 표시는 5 mm씩 증가합니다.

절단 표시기(그림 I)

톱 기판의 앞면에는 수직 및 베벨 커팅을 위한 절단 표시기 **9** 가 있습니다. 이 표시기를 통해 절단할 재료에 연필로 그린 줄날에 따라 톱을 가이드할 수 있습니다. 절단 표시기는 톱 날의 좌측(바깥쪽)과 줄을 맞추어, 움직이는 날로 슬롯 또는 "절단"이 표시기의 우측으로 거꾸러뜨리게 만듭니다. 절단 조각이 쓰레기 또는 잉여 재료에 떨어지도록 연필로 그린 줄날에 따라 톱을 가이드합니다.

수평 펜스 장착 및 조정(그림 N)

수평 펜스 **28** 는 작업물의 가장자리에 대해 수평한 절단을 위해 사용됩니다.

장착

1. 수평 펜스 조정 노브 **27** 를 약간 풀어 수평 펜스가 통과할 수 있도록 합니다.
2. 그림에 표시된 대로 기판에 수평 펜스 **28** 를 끼웁니다.
3. 수평 펜스 조정 노브 **27** 를 조입니다.

조정

1. 펜스 조정 노브 **27** 를 약간 풀고 수평 펜스 **28** 를 원하는 너비로 설정합니다. 조정은 수평 펜스 눈금으로 읽을 수 있습니다.
2. 펜스 조정 노브 **27** 를 조입니다.

집진 장치 포트를 장착하려면 (그림 A, P)

원형톱에는 집진 장치 포트가 제공되어 있습니다.

집진 장치 포트를 설치하려면



1. 깊이 조정 레버 **4** 를 완전히 풀니다.
2. 기판 **5** 을 가장 낮은 위치에 놓습니다.
3. 그림과 같이 집진 장치 포트 **29** 의 왼쪽 절반을 상부 가이드 **7** 위로 조정합니다. 탭이 공구의 캐스팅 노치에 삽입되도록 하십시오. 정확하게 설치되었으면, 원래의 절삭 깊이 포인터 위로 완전히 밀어 넣습니다.
4. 오른쪽의 조각 **30** 을 왼쪽에 맞춥니다.
5. 나사를 끼우고 단단히 조입니다.

작동을 하기 전에



- 가드가 정확하게 장착되었는지 확인하십시오. 톱날 가드는 닫힌 위치에 있어야 합니다.
- 톱날이 날의 화살표 방향으로 회전하는지 확인하십시오.
- 지나치게 마모된 톱날을 사용하지 마십시오.

조작

사용 지침

-  **경고:** 안전 지시 사항과 해당 규정을 항상 준수하십시오.
-  **경고:** 심각한 신체 부상의 위험을 줄이려면 공구를 조정하거나 부착물 또는 액세서리를 제거/설치하기 전에 공구를 끄고 배터리 팩을 분리하십시오. 공구가 갑자기 작동하여 부상을 당할 수 있습니다.

올바른 손의 위치(그림 J)

-  **경고:** 심각한 신체 부상의 위험을 줄이려면 항상 그림과 같이 올바르게 손을 위치하십시오.
-  **경고:** 심각한 신체 부상의 위험을 줄이려면, 항상 급작스러운 반응을 예상하고 확실하게 잡으십시오.

손 위치는 한 손을 기본 핸들 **26** 위에 놓고 다른 손을 보조 핸들 **12** 위에 놓는 것이 바람직합니다.

LED 작업등(그림 A)

LED 작업등(15)은 방아쇠 스위치를 누르면 작동됩니다. 방아쇠를 놓으면 작업등이 최대 20초 동안 점등되어 있습니다.

참고: 작업등은 인접한 작업대를 바추기 위한 것이며 손전등으로 사용하기 위한 것이 아닙니다.

전원 켜기 및 끄기(그림 B)

안전상의 이유로, 공구의 방아쇠 스위치(2)에는 락오프 버튼(1)이 장착되어 있습니다.

잠금 해제 버튼을 눌러 공구의 잠금을 해제합니다. 공구를 작동하려면 방아쇠 스위치(2)를 누릅니다. 방아쇠 스위치가 잠금 해제 스위치를 해제하는 즉시 자동으로 기기의 의도치 않은 시동을 방지하도록 작동됩니다.

참고: 톱날이 작업대 또는 다른 물질에 닿는 경우 공구 스위치를 켜거나 끄지 마십시오.

작업을 지지대(그림 J-M)


-  **경고:** 신체 부상의 위험을 줄이려면, 작업물을 적절하게 지지하고 제어력을 손실하지 않도록 톱을 꼭 잡습니다.

그림 J 및 K는 적절한 톱질 위치를 보여줍니다. 그림 L 및 M은 불안정한 상태를 보여줍니다. 손은 절단 영역에서 멀리 두어야 하고, 전원 코드는 작업물에 걸리거나 매달리지 않도록 절단 영역에서 떨어진 곳에 두어야 합니다.

반동을 방지하려면, 항상 판을 지지하거나 절단물 근처를 판으로 덮습니다(그림 J 및 K). 절단물에서 멀리 판자 또는 판을 지지하지 마십시오(그림 L 및 M). 톱을 작동할 때는, 코드를 절단 영역에서 멀리 두고 작업물에 걸리지 않도록 해야 합니다.

항상 조정을 하기 전에 톱의 전원 장치 연결을 분리하십시오! 작업물은 "양호한" 쪽에 놓습니다(모양이 가장 중요한 곳은 아래쪽입니다). 톱이 위쪽으로 절단하므로, 모든 갈라짐은 톱질할 때 작업물 위에 나타날 것입니다.

절단(그림 J)

경고: 작업 표면에 이 공구를 거꾸로 놓고 재료를 공구로 가져오는 식으로 공구를 절대 사용하지 마십시오. 항상 작업물을 단단히 고정하고, 그림 J에 표시된 대로 양 손으로 공구를 단단히 잡은 채 작업물로 공구를 가져옵니다.

절단물을 만들 때 떨어지는 부분이 아닌, 견고하게 지지되는 작업물 쪽에 톱 기판의 넓은 부분을 놓습니다. 예를 들어, 그림 N는 판자의 끝을 절단할 오른쪽 방향을 보여 줍니다. 항상 작업물을 고정합니다. 손으로 짧은 조각을 잡으려고 하지 마십시오! 캔틸레버식의 튀어나온 재료를 지지하는 것을 잊지 마십시오. 아래에서 자재를 톱질할 때는 주의하여 사용하십시오.

날이 절단할 재료에 닿기 전에 톱이 최대 속도인지 확인하십시오. 절단물 앞쪽으로 절단하거나 밀 재료에 맞닿은 날의 톱을 작동하면 반동이 일어날 수 있습니다. 날이 큰 힘을 들이지 않고 절단할 수 있는 속도로 톱을 앞쪽으로 밀니다. 단단함과 역센은 재료의 동일한 조각에서도 다를 수 있고, 뒤틀리고 축축한 부분은 톱에 과부하를 줄 수 있습니다. 이러한 경우, 톱을 더 천천히 누릅니다. 단, 속도를 크게 줄이지 않으면서 작업을 유지할 정도를 유지해야 합니다. 톱에 과도한 힘을 주면 고르지 않은 절단, 부정확성, 반동 및 모터의 과열이 발생할 수 있습니다. 절단물이 선을 벗어나기 시작할 경우, 다시 힘을 주려고 하지 마십시오. 스위치를 놓고 날이 완전히 멈추도록 합니다. 그런 다음 톱을 빼내고 새로 찾아서, 잘못된 것의 약간 안쪽에서 새롭게 절단을 시작할 수 있습니다. 어떤 경우에도, 절단물을 옮겨야 하는 경우 톱을 빼냅니다. 절단물 안쪽에서 정정한 것에 과도한 힘을 주면 톱의 시동이 갑자기 꺼져 반동을 야기할 수 있습니다.

톱의 시동이 갑자기 멈추면, 방아쇠를 놓고 해제될 때까지 톱을 뒤로 가게 합니다. 다시 시작하기 전에 날이 절단물에서 일직선이고 절단 가장자리에서 떨어져 있는지 확인하십시오.

절단을 끝마쳤으면, 작업물에서 톱을 올리기 전에 방아쇠를 놓고 날이 멈출 수 있도록 합니다. 톱을 올릴 때, 스프링 작동 신축식 가드가 자동으로 날 아래로 닫힙니다. 이렇게 될 때까지 날이 노출되지 않는다는 것을 잊지 마십시오. 어떤 이유론든 작업물 아래에 손을 대지 마십시오. 신축식 가드를 수동으로 집어 넣어야 하는 경우(포켓 컷을 시작할 경우 필요함), 항상 리트랙팅 레버를 사용하십시오.

참고: 가느다란 조각을 절단할 때는, 작은 절단 조각이 하부 가드 안쪽에 걸려 있지 않도록 주의하십시오.

포켓 절단(그림 O)

경고: 들어 올린 위치에서 날 가드를 유지 마십시오. 포켓 절단 시 톱을 뒤쪽으로 움직이지 마십시오. 이렇게 하면 공구가 작업 표면을 벗어나 들어 올려져서 부상을 초래할 수 있습니다.

포켓 절단은 마루, 벽 또는 기타 평평한 표면에서 하는 절단입니다.

1. 날이 원하는 깊이에서 절단되도록 톱 기판을 조정하십시오.
2. 톱을 앞쪽으로 기울여 절단할 재료의 기판 앞에 놓습니다.
3. 하부 가드 레버를 사용하여, 하부 날 가드를 위쪽 위치로 집어 넣습니다. 날의 톱니가 거의 줄날에 닿을 때까지 기판의 뒤쪽을 내립니다.
4. 날 가드를 놓습니다(작업물과 맞닿으면 제자리에 유지되어 절단을 시작함에 따라 자유롭게 열립니다). 손을 가드 레버에서 떼고 그림 O에 표시된 대로 보조 핸들 12 을 꼭 잡습니다. 반동이 일어날 경우 반동을 제어할 수 있도록 몸과 팔의 위치를 정합니다.
5. 톱을 작동하기 전에 날이 절단면에 닿지 않았는지 확인하십시오.
6. 모터에 시동을 걸고 기판이 절단할 재료와 평평해질 때까지 점차적으로 톱을 내립니다. 절단이 완료될 때까지 줄날을 따라 톱을 진행시킵니다.
7. 작업물에서 날을 빼내기 전에 방아쇠를 놓고 날이 완전히 정지할 수 있도록 합니다.
8. 모든 새 절단을 시작할 때 위와 같이 반복하십시오.

집진(그림 Q)

경고: 먼지 흡입 위험. 부상의 위험을 줄이려면 항상 승인된 방진 마스크를 착용하십시오.

집진 장치 포트 30 는 공구에 제공되어 있습니다. AirLock™ 시스템(DWV9000-X) 또는 표준 35mm 집진기 장비를 사용하여 집진 어댑터 31 를 통해 공구를 외부 집진기에 연결할 수 있습니다.

경고: 항상 목재를 톱질할 때는 먼지 배출에 관해 적용되는 지시 사항에 따라 설계된 진공 청소기를 사용하십시오. 대부분 진공 청소기의 진공 호스는 집진 장치 배출구에 잘 맞습니다.

유지 보수

DEWALT 전동 공구는 최소한의 유지보수로 장기간에 걸쳐 작업이 가능하도록 설계되어 있습니다. 만족스러운 연속 작동은 적절한 공구 관리와 정기적인 청소에 따라 그 성능이 달라질 수 있습니다.

경고: 심각한 신체 부상의 위험을 줄이려면 공구를 조정하거나 부착물 또는 액세서리를 제거/설치하기 전에 공구를 끄고 배터리를 분리하십시오.

공구가 갑자기 작동하여 부상을 당할 수 있습니다. 충전기 및 배터리 팩은 수리할 수 없습니다.



윤활방법

자체 윤활 볼 및 롤러 베어링이 공구에 사용되었으므로 다시 윤활하지 않아도 됩니다. 그러나, 일년에 한 번 기어 상자의 철저한 청소, 검사 및 윤활을 위해 서비스 센터로 공구를 맡기거나 보내는 것이 좋습니다.



청소



경고: 통풍구 속이나 주변에 먼지가 쌓여있는 것이 보이면 가능한 한 자주 건조한 공기를 이용하여 몸체에서 먼지를 불어내십시오. 이 절차를 수행할 때에는 승인된 보호 장구 및 승인된 방진 마스크를 착용하십시오.



경고: 공구의 금속 이외 부품을 청소할 때는 용제 등의 강력한 화학약품을 절대 사용하지 마십시오. 그렇지 않으면 이러한 부분에 사용된 재료가 약해질 수 있습니다. 헹굼에 물과 순한 비누를 적셔 닦아주십시오. 공구 내부에 액체를 넣거나 공구 부품을 액체에 담그는 행동은 절대 금물입니다.

하부 가드

하부 가드는 항상 돌아야 하고 완전히 열린 위치에서 완전히 닫힌 위치까지 자유롭게 닫혀야 합니다. 항상 가드를 완전히 열거나 닫히도록 하여 절단을 하기 전에 정확한 작동을 점검하십시오. 가드가 천천히 닫히거나 완전히 닫히지 않는 경우, 청소 또는 정비가 필요한 상태입니다. 정확하게 작동될 때까지 톱을 사용하지 마십시오. 가드를 청소하려면, 드라이어 또는 부드러운 브러시를 사용하여 가드 경로 및 가드 스프링 주변에서 쌓여 있는 모든 톱밥이나 잔해를 제거하십시오. 이렇게 해도 문제가 해결되지 않으면, 공인 서비스 센터에서 정비를 받아야 합니다.

기판 조정(그림 G, H)

기판은 날이 기판에 수직이 되도록 공장 출고 시 설정되어 있습니다. 연장 사용 후 날을 다시 맞추어야 할 경우, 아래의 지침을 따르십시오.

90도 절단용 조정하기

1. 톱을 0도 베벨로 돌려 놓습니다.
2. 톱을 옆으로 놓고 하부 가드를 집어 넣습니다.
3. 절삭 깊이를 51 mm로 설정합니다.
4. 베벨 조정 레버(10, 그림 G)를 풀립니다. 그림 H와 같이 날과 기판이 직각이 되도록 놓으십시오.
5. 렌치를 사용하여 날과 기판 모두 직각으로 맞닿을 때까지 설정 나사(25, 그림 H)를 기판 아래 쪽으로 돌립니다. 베벨 조정 레버를 다시 조입니다.

베벨 조정 레버 조정

베벨 조정 레버 10를 조정하는 것이 바람직할 수 있습니다. 시간 내 풀려서 조이기 전에 기판을 칠 수 있습니다.

레버를 조이려면:

1. 베벨 조정 레버 10를 잡고 고정 나사 24를 풀니다.
2. 분당 회전의 약 1/8로 원하는 방향으로 돌려서 베벨 조정 레버를 조정합니다.
3. 너트를 다시 조입니다.

톱날

무딘 날은 비효율적인 절삭, 톱 모터의 과부하, 과도한 찌개짐을 유발하고, 반동의 가능성을 높입니다. 더 이상 절단물을 통해 톱을 밀어 넣는 것이 쉽지 않을 때, 모터가 과부하되고 있을 때, 또는 날에 과도한 열이 축적되는 경우 날을 교환하십시오. 날카로운 날을 즉시 사용할 수 있도록 여분의 날을 보관하고 있는 것이 좋습니다. 대부분의 영역에서 무딘 날을 날카롭게 만들 수 있습니다.

날에 붙어 있는 단단해진 수지는 등유, 테레빈유 또는 세제를 사용해서 제거할 수 있습니다. 들러붙음 방지 코팅 날은 압력 약품이 처리된 목재 및 생재 등 과도한 축적물이 발생하는 곳에 사용할 수 있습니다.

선택 액세서리



경고: DEWALT에서 제공되지 않은 액세서리는 이 제품에 테스트되지 않았으므로, 그러한 액세서리를 이 공구와 함께 사용하면 위험할 수 있습니다. 신체 부상의 위험을 줄이려면 본 제품에 알맞은 액세서리만 사용해야 합니다.

이 톱에는 급수 부가 장치를 사용하지 마십시오.

사용하기 전에 카바이드 날을 눈으로 점검하십시오. 손상된 경우 교체하십시오.

해당 액세서리에 대한 자세한 정보는 판매 대리점으로 문의하십시오.

환경 보호



분리 수거. 이 기호가 표시된 제품과 배터리를 일반 가정용 쓰레기와 함께 처리하면 안 됩니다.

제품과 배터리에는 재활용되거나 재사용되고 고철 자원에 대한 수요를 줄일 수 있는 자재가 포함되어 있습니다. 전기 제품과 배터리는 지역 규정에 따라 재활용하십시오. 자세한 내용은 www.2helpU.com에서 찾아 볼 수 있습니다.

충전용 배터리 팩

이전에 쉽게 수행했던 작업에 대해 충분한 힘을 발휘하지 못하는 배터리 팩은 재충전해야 합니다. 배터리 수명이 다하면 환경보호 차원에서 배터리 팩을 폐기하십시오.

- 배터리 팩을 완전히 사용하고 난 후 공구에서 분리하십시오.
- 리튬이온 셀은 재활용할 수 있습니다. 이 전지를 판매점이나 지역 재활용 센터로 가져가십시오. 수집된 배터리 팩은 재활용되거나 적절히 폐기됩니다.

