

---

# **DEWALT**

---

**DC733**

**DC740**

**DC750**

**DW907**

[www.DEWALT.eu](http://www.DEWALT.eu)

---

**English** (*original instructions*)

**04**

---

**Türkçe** (*orijinal talimatlardan çevrilmiştir*)

**15**

---

Figure 1

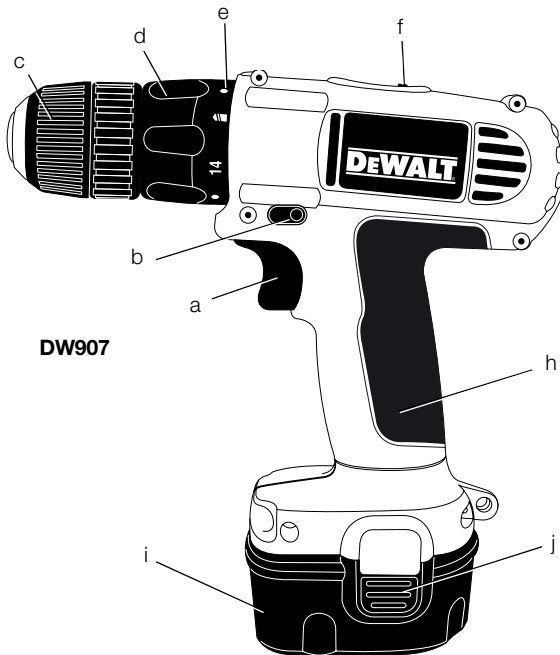
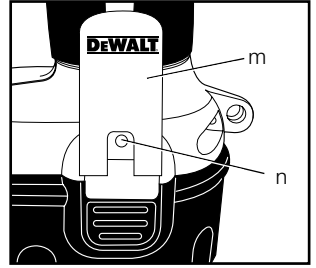
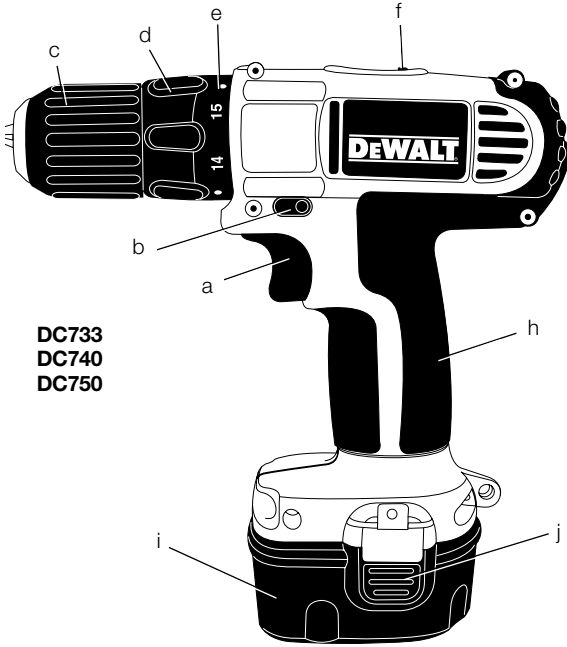


Figure 2

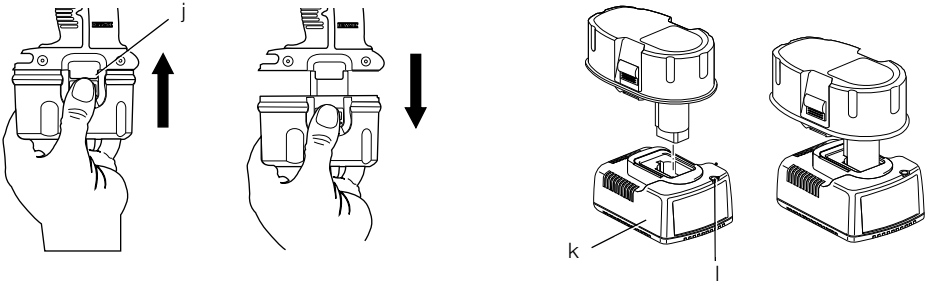


Figure 3

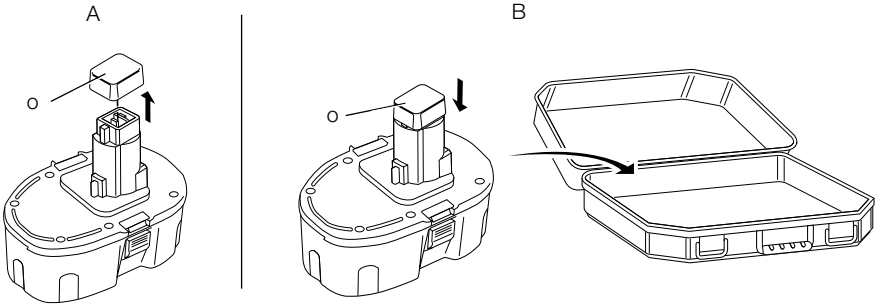


Figure 4

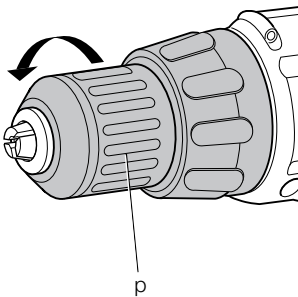


Figure 5

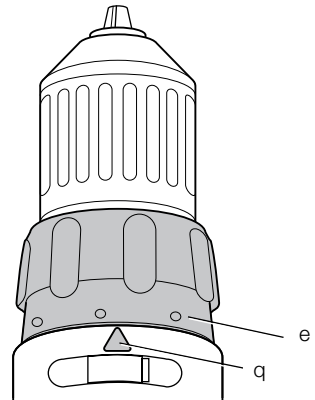


Figure 6

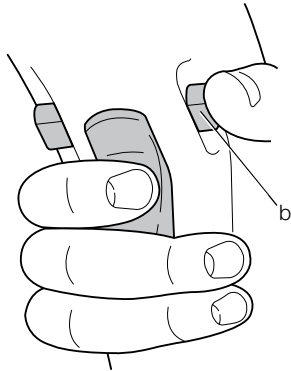


Figure 7

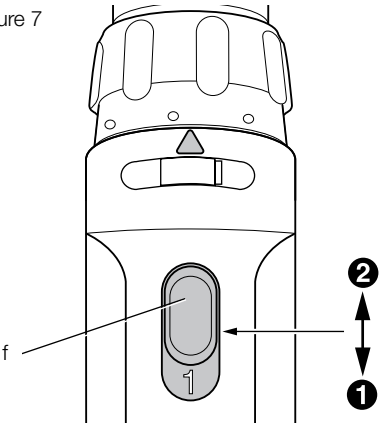


Figure 8

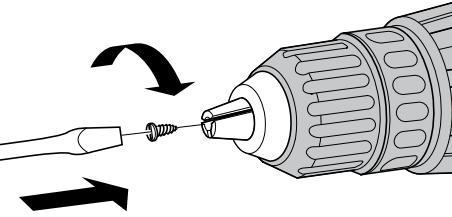


Figure 9

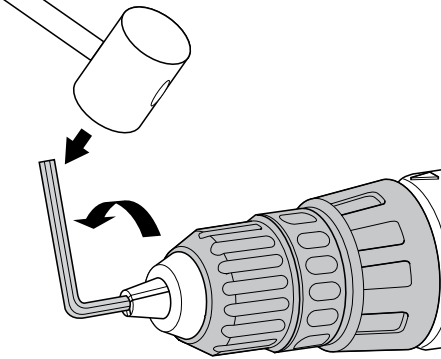
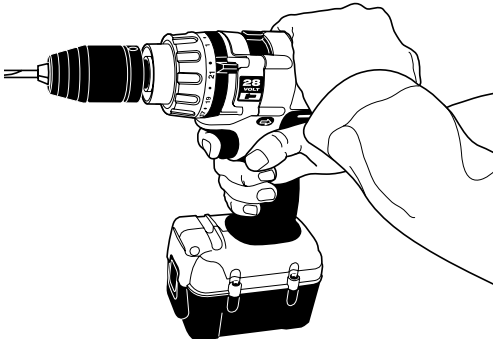


Figure 10



# CORDLESS DRILL/DRIVER

## DC733, DC740, DC750, DW907

### Congratulations!

You have chosen a DEWALT tool. Years of experience, thorough product development and innovation make DEWALT one of the most reliable partners for professional power tool users.

### Technical Data

		DC733	DC740	DW907	DC750
Voltage	V	14.4	12	12	9.6
Type		2	4	3	3
No-load speed					
1st gear	min <sup>-1</sup>	0-400	0-350	0-350	0-300
2nd gear	min <sup>-1</sup>	0-1300	0-1200	0-1200	0-1100
Max. torque	Nm	30	26	21	20
Chuck capacity	mm	10	10	10	10
Maximum drilling capacity in steel/wood	mm	10/30	10/25	10/25	10/22
Weight (without battery pack)	kg	1.1	1.1	1.1	1.1
$L_{PA}$ (sound pressure)	dB(A)	73	72	72	72
$K_{PA}$ (sound pressure uncertainty)	dB(A)	3	3	3	3
$L_{WA}$ (sound power)	dB(A)	84	83	83	83
$K_{WA}$ (sound power uncertainty)	dB(A)	3.3	3.3	3.3	3.3

Vibration total values (triax vector sum) determined according to EN 60745:

Drilling into metal					
$a_{h,D}$ =	m/s <sup>2</sup>	1.7	1.6	1.6	1.5
Uncertainty K =	m/s <sup>2</sup>	1.5	1.5	1.5	1.5
Screwdriving without impact					
$a_h$ =	m/s <sup>2</sup>	1.3	1.2	1.2	1.1
Uncertainty K =	m/s <sup>2</sup>	1.5	1.5	1.5	1.5

The vibration emission level given in this information sheet has been measured in accordance with a standardised test given in EN 60745 and may be used to compare one tool with another. It may be used for a preliminary assessment of exposure.



**WARNING:** The declared vibration emission level represents the main applications of the tool. However if the tool is used for different applications,

with different accessories or poorly maintained, the vibration emission may differ. This may significantly increase the exposure level over the total working period.

An estimation of the level of exposure to vibration should also take into account the times when the tool is switched off or when it is running but not actually doing the job. This may significantly reduce the exposure level over the total working period.

Identify additional safety measures to protect the operator from the effects of vibration such as: maintain the tool and the accessories, keep the hands warm, organisation of work patterns.

Battery pack	DE9062	DE9074	DE9071	DWCB12
Battery type	NiCd	NiCd	NiCd	NiCd
Voltage	V	9.6	12	12
Capacity	Ah	1.3	1.3	2.0
Weight	kg	0.42	0.5	0.65

Battery pack	DE9501	DE9502	DE9091	DWCB14
Battery type	NiMH	NiMH	Li-Ion	NiCd
Voltage	V	12	14.4	14.4
Capacity	Ah	2.6	2.6	2.0
Weight	kg	0.58	0.82	0.84

Battery pack	DE9094	DE9140	DE9141
Battery type	NiCd	Li-Ion	Li-Ion
Voltage	V	14.4	14.4
Capacity	Ah	1.3	2.0
Weight	kg	0.64	0.58

Charger	DE9116	DE9118	DE9135
Battery type	NiCd/NiMH	NiCd	NiCd/ NiMH/Li-Ion
Mains voltage	$V_{AC}$	230	230

Approx. charging time				
time	min	40 (2,0 Ah battery packs)	60 (2,0 Ah battery packs)	40 (2,0 Ah battery packs)
Weight	kg	0.4	0.9	0.52

## Fuses:

Europe	230 V tools	10 Amperes, mains
U.K. & Ireland	230 V tools	3 Amperes, in plugs

## Definitions: Safety Guidelines

The definitions below describe the level of severity for each signal word. Please read the manual and pay attention to these symbols.



**DANGER:** Indicates an *imminently hazardous situation which, if not avoided, will result in death or serious injury.*



**WARNING:** Indicates a *potentially hazardous situation which, if not avoided, could result in death or serious injury.*



**CAUTION:** Indicates a *potentially hazardous situation which, if not avoided, may result in minor or moderate injury.*

**NOTICE:** Indicates a *practice not related to personal injury which, if not avoided, may result in property damage.*



Denotes risk of electric shock.



Denotes risk of fire.

## EC-Declaration of Conformity

### MACHINERY DIRECTIVE



### DC733, DC740, DC750, DW907

DEWALT declares that these products described under **Technical Data** are in compliance with: 2006/42/EC, EN 60745-1, EN 60745-2-1, EN 60745-2-2.

These products also comply with Directive 2004/108/EC and 2011/65/EU. For more information, please contact DEWALT at the following address or refer to the back of the manual.

The undersigned is responsible for compilation of the technical file and makes this declaration on behalf of DEWALT.

Horst Grossmann  
Vice President Engineering and Product Development  
DEWALT, Richard-Klinger-Straße 11,  
D-65510, Idstein, Germany  
03.08.09



**WARNING:** To reduce the risk of injury, read the instruction manual.

## General Power Tool Safety Warnings



**WARNING! Read all safety warnings and instructions.** Failure to follow the warnings and instructions may result in electric shock, fire and/or serious injury.

### SAVE ALL WARNINGS AND INSTRUCTIONS FOR FUTURE REFERENCE

The term "power tool" in the warnings refers to your mains-operated (corded) power tool or battery-operated (cordless) power tool.

#### 1) WORK AREA SAFETY

- Keep work area clean and well lit.** Cluttered or dark areas invite accidents.
- Do not operate power tools in explosive atmospheres, such as in the presence of flammable liquids, gases or dust.** Power tools create sparks which may ignite the dust or fumes.
- Keep children and bystanders away while operating a power tool.** Distractions can cause you to lose control.

#### 2) ELECTRICAL SAFETY

- Power tool plugs must match the outlet. Never modify the plug in any way. Do not use any adapter plugs with earthed (grounded) power tools.** Unmodified plugs and matching outlets will reduce risk of electric shock.
- Avoid body contact with earthed or grounded surfaces such as pipes, radiators, ranges and refrigerators.** There is an increased risk of electric shock if your body is earthed or grounded.
- Do not expose power tools to rain or wet conditions.** Water entering a power tool will increase the risk of electric shock.

- d) **Do not abuse the cord. Never use the cord for carrying, pulling or unplugging the power tool. Keep cord away from heat, oil, sharp edges or moving parts.** Damaged or entangled cords increase the risk of electric shock.
- e) **When operating a power tool outdoors, use an extension cord suitable for outdoor use.** Use of a cord suitable for outdoor use reduces the risk of electric shock.
- f) **If operating a power tool in a damp location is unavoidable, use a residual current device (RCD) protected supply.** Use of an RCD reduces the risk of electric shock.

### **3) PERSONAL SAFETY**

- a) **Stay alert, watch what you are doing and use common sense when operating a power tool. Do not use a power tool while you are tired or under the influence of drugs, alcohol or medication.** A moment of inattention while operating power tools may result in serious personal injury.
- b) **Use personal protective equipment. Always wear eye protection.** Protective equipment such as dust mask, non-skid safety shoes, hard hat, or hearing protection used for appropriate conditions will reduce personal injuries.
- c) **Prevent unintentional starting. Ensure the switch is in the off position before connecting to power source and/or battery pack, picking up or carrying the tool.** Carrying power tools with your finger on the switch or energising power tools that have the switch on invites accidents.
- d) **Remove any adjusting key or wrench before turning the power tool on.** A wrench or a key left attached to a rotating part of the power tool may result in personal injury.
- e) **Do not overreach. Keep proper footing and balance at all times.** This enables better control of the power tool in unexpected situations.
- f) **Dress properly. Do not wear loose clothing or jewellery. Keep your hair, clothing and gloves away from moving parts.** Loose clothes, jewellery or long hair can be caught in moving parts.
- g) **If devices are provided for the connection of dust extraction and collection facilities, ensure these are connected and properly used.** Use of dust collection can reduce dust-related hazards.

### **4) POWER TOOL USE AND CARE**

- a) **Do not force the power tool. Use the correct power tool for your application.** The correct power tool will do the job better and safer at the rate for which it was designed.
- b) **Do not use the power tool if the switch does not turn it on and off.** Any power tool that cannot be controlled with the switch is dangerous and must be repaired.
- c) **Disconnect the plug from the power source and/or the battery pack from the power tool before making any adjustments, changing accessories, or storing power tools.** Such preventive safety measures reduce the risk of starting the power tool accidentally.
- d) **Store idle power tools out of the reach of children and do not allow persons unfamiliar with the power tool or these instructions to operate the power tool.** Power tools are dangerous in the hands of untrained users.
- e) **Maintain power tools. Check for misalignment or binding of moving parts, breakage of parts and any other condition that may affect the power tool's operation. If damaged, have the power tool repaired before use.** Many accidents are caused by poorly maintained power tools.
- f) **Keep cutting tools sharp and clean.** Properly maintained cutting tools with sharp cutting edges are less likely to bind and are easier to control.
- g) **Use the power tool, accessories and tool bits etc., in accordance with these instructions taking into account the working conditions and the work to be performed.** Use of the power tool for operations different from those intended could result in a hazardous situation.

### **5) BATTERY TOOL USE AND CARE**

- a) **Recharge only with the charger specified by the manufacturer.** A charger that is suitable for one type of battery pack may create a risk of fire when used with another battery pack.
- b) **Use power tools only with specifically designated battery packs.** Use of any other battery packs may create a risk of injury and fire.
- c) **When battery pack is not in use, keep it away from other metal objects like paper clips, coins, keys, nails, screws or other small metal objects that can make a**



**connection from one terminal to another.** Shorting the battery terminals together may cause burns or a fire.

- d) **Under abusive conditions, liquid may be ejected from the battery, avoid contact. If contact accidentally occurs, flush with water. If liquid contacts eyes, additionally seek medical help.** Liquid ejected from the battery may cause irritation or burns.

## 6) SERVICE

- a) **Have your power tool serviced by a qualified repair person using only identical replacement parts.** This will ensure that the safety of the power tool is maintained.

## Additional Specific Safety Rules for Drills

- **Wear ear protectors.** Exposure to noise can cause hearing loss.
- **Hold power tool by insulated gripping surfaces only, when performing an operation where the cutting accessory may contact hidden wiring or its own cord.** Cutting accessory contacting a "live" wire may make exposed metal parts of the power tool "live" and shock the operator.
- **Use clamps or other practical way to secure and support the workpiece to a stable platform.** Holding the work by hand or against your body is unstable and may lead to loss of control.
- **Wear safety goggles or other eye protection.** Drilling operations cause chips to fly. Flying particles can cause permanent eye damage.
- **Bits and tools get hot during operation.** Wear gloves when touching them.
- **Keep handles dry, clean, free from oil and grease. it is recommended to use rubber gloves.** This will enable better control of the tool.

## Residual Risks

The following risks are inherent to the use of drills:

- Injuries caused by touching the rotating parts or hot parts of the tool.

In spite of the application of the relevant safety regulations and the implementation of safety devices, certain residual risks cannot be avoided.

These are:

- Impairment of hearing.
- Risk of squeezing fingers when changing accessories.

- Health hazards caused by breathing dust developed when working in wood.
- Risk of personal injury due to flying particles.
- Risk of personal injury due to prolonged use.

## Markings on Tool

The following pictograms are shown on the tool:



Read instruction manual before use.

## DATE CODE POSITION

The Date Code, which also includes the year of manufacture, is printed into the housing surface that forms the mounting joint between tool and battery.

Example:

2012 XX XX

Year of Manufacture

## Important Safety Instructions for All Battery Chargers

**SAVE THESE INSTRUCTIONS:** This manual contains important safety and operating instructions for the DE9116/DE9118/DE9135 battery chargers.

- Before using charger, read all instructions and cautionary markings on charger, battery pack, and product using battery pack.



**DANGER:** Electrocutation hazard. 230 volts are present at charging terminals. Do not probe with conductive objects. Electric shock or electrocution may result.



**WARNING:** Shock hazard. Do not allow any liquid to get inside charger. Electric shock may result.



**CAUTION:** Burn hazard. To reduce the risk of injury, charge only DEWALT rechargeable batteries. Other types of batteries may burst causing personal injury and damage.



**CAUTION:** Under certain conditions, with the charger plugged in to the power supply, the exposed charging contacts inside the charger can be shorted by foreign material. Foreign materials of a conductive nature such as, but not limited to, steel wool, aluminum foil, or any buildup of metallic particles should be kept away from charger cavities. Always unplug the

charger from the power supply when there is no battery pack in the cavity. Unplug charger before attempting to clean.

- **DO NOT attempt to charge the battery pack with any chargers other than the ones in this manual.** The charger and battery pack are specifically designed to work together.
- **These chargers are not intended for any uses other than charging DEWALT rechargeable batteries.** Any other uses may result in risk of fire, electric shock or electrocution.
- **Do not expose charger to rain or snow.**
- **Pull by plug rather than cord when disconnecting charger.** This will reduce risk of damage to electric plug and cord.
- **Make sure that cord is located so that it will not be stepped on, tripped over, or otherwise subjected to damage or stress.**
- **Do not use an extension cord unless it is absolutely necessary.** Use of improper extension cord could result in risk of fire, electric shock, or electrocution.
- **Do not place any object on top of charger or place the charger on a soft surface that might block the ventilation slots and result in excessive internal heat.** Place the charger in a position away from any heat source. The charger is ventilated through slots in the top and the bottom of the housing.
- **Do not operate charger with damaged cord or plug — have them replaced immediately.**
- **Do not operate charger if it has received a sharp blow, been dropped, or otherwise damaged in any way.** Take it to an authorized service center.
- **Do not disassemble charger; take it to an authorized service center when service or repair is required.** Incorrect reassembly may result in a risk of electric shock, electrocution or fire.
- **Disconnect the charger from the outlet before attempting any cleaning.** This will reduce the risk of electric shock. Removing the battery pack will not reduce this risk.
- **NEVER attempt to connect 2 chargers together.**
- **The charger is designed to operate on standard 230V household electrical power. Do not attempt to use it on any other voltage.** This does not apply to the vehicular charger.

**SAVE THESE INSTRUCTIONS**

**Chargers**

Your DE9116 charger accepts DEWALT NiCd and NiMH battery packs ranging from 7.2 V to 18 V. Your DE9118 charger accepts DEWALT NiCd battery packs ranging from 7.2 V to 14.4 V. The DE9135 charger accepts 7.2 to 18 V NiCd, NiMH or Li-Ion batteries. These chargers require no adjustment and are designed to be as easy as possible to operate.

**Charging Procedure (fig. 2)**



**DANGER:** *Electrocution hazard. 230 volts present at charging terminals. Do not probe with conductive objects. Danger of electric shock or electrocution.*

1. Plug the charger (k) into an appropriate outlet before inserting battery pack.
2. Insert the battery pack into the charger. The red (charging) light will blink continuously indicating that the charging process has started.
3. The completion of charge will be indicated by the red light remaining ON continuously. The pack is fully charged and may be used at this time or left in the charger.

**NOTE:** To ensure maximum performance and life of NiCd, NiMH and Li-Ion batteries, charge the battery for a minimum of 10 hours before first use.

**Charging Process**

Refer the table below for the state of charge of the battery pack.

State of charge	
charging	- - - -
fully charged	_____
hot/cold pack delay	— — — —
replace battery pack	●●●●●●●●
problem	●● ●● ●●

**Automatic Refresh (DE9116, DE9135)**

The automatic refresh mode will equalise or balance the individual cells in the battery pack at its peak capacity. Battery packs should be refreshed weekly or whenever the pack no longer delivers the same amount of work.

To refresh your battery pack, place the battery in the charger as usual. Leave the battery pack for at least 10 hours in the charger.

## Hot/Cold Pack Delay (DE9116, DE9135)

When the charger detects a battery that is too hot or too cold, it automatically starts a Hot/Cold Pack Delay, suspending charging until the battery has reached an appropriate temperature. The charger then automatically switches to the pack charging mode. This feature ensures maximum battery life.

### LI-ION BATTERY PACKS ONLY

Li-Ion batteries are designed with an Electronic Protection System that will protect the battery against overloading, overheating or deep discharge.

The tool will automatically turn off if the Electronic Protection System engages. If this occurs, place the Li-Ion battery on the charger until it is fully charged.

## Important Safety Instructions for All Battery Packs

When ordering replacement battery packs, be sure to include catalog number and voltage.

The battery pack is not fully charged out of the carton. Before using the battery pack and charger, read the safety instructions below. Then follow charging procedures outlined.

### READ ALL INSTRUCTIONS

- **Do not charge or use battery in explosive atmospheres, such as in the presence of flammable liquids, gases or dust.** Inserting or removing the battery from the charger may ignite the dust or fumes.
- Charge the battery packs only in DEWALT chargers.
- **DO NOT splash or immerse in water or other liquids.**
- **Do not store or use the tool and battery pack in locations where the temperature may reach or exceed 40° C (105° F) (such as outside sheds or metal buildings in summer).**



**DANGER:** Never attempt to open the battery pack for any reason. If battery pack case is cracked or damaged, do not insert into charger. Do not crush, drop or damage battery pack. Do not use a battery pack or charger that has received a sharp blow, been dropped, run over or damaged in any

way (i.e., pierced with a nail, hit with a hammer, stepped on). Electric shock or electrocution may result. Damaged battery packs should be returned to service center for recycling.



**CAUTION:** When not in use, place tool on its side on a stable surface where it will not cause a tripping or falling hazard. Some tools with large battery packs will stand upright on the battery pack but may be easily knocked over.

### SPECIFIC SAFETY INSTRUCTIONS FOR NICKEL CADMIUM (NiCd) OR NICKEL METAL HYDRIDE (NiMH)

- **Do not incinerate the battery pack even if it is severely damaged or is completely worn out.** The battery pack can explode in a fire.
- **A small leakage of liquid from the battery pack cells may occur under extreme usage or temperature conditions.** This does not indicate a failure.

However, if the outer seal is broken:

- a. and the battery liquid gets on your skin, immediately wash with soap and water for several minutes.
- b. and the battery liquid gets into your eyes, flush them with clean water for a minimum of 10 minutes and seek immediate medical attention. **(Medical note:** The liquid is 25–35% solution of potassium hydroxide.)

### SPECIFIC SAFETY INSTRUCTIONS FOR LITHIUM ION (Li-Ion)

- **Do not incinerate the battery pack even if it is severely damaged or is completely worn out.** The battery pack can explode in a fire. Toxic fumes and materials are created when lithium ion battery packs are burned.
- **If battery contents come into contact with the skin, immediately wash area with mild soap and water.** If battery liquid gets into the eye, rinse water over the open eye for 15 minutes or until irritation ceases. If medical attention is needed, the battery electrolyte is composed of a mixture of liquid organic carbonates and lithium salts.
- **Contents of opened battery cells may cause respiratory irritation.** Provide fresh air. If symptoms persists, seek medical attention.



**WARNING:** Burn hazard. Battery liquid may be flammable if exposed to spark or flame.

## Battery Cap (fig. 3)

A protective battery cap is supplied to cover the contacts of a detached battery pack. Without the protective cap in place, loose metal objects could short circuit the contacts, causing a fire hazard and damaging the battery pack.

1. Take off the protective battery cap (o) before placing the battery pack in the charger or tool (fig. 3A).
2. Place the protective cap over the contacts immediately after removing the battery pack from the charger or tool (fig. 3B).



**WARNING:** Make sure the protective battery cap is in place before storing or carrying a detached battery pack.

## Battery Pack (fig. 1)

### BATTERY TYPE

The DC733 operates on 14.4 volt battery packs.

The DC740 and DW907 operate on 12 volt battery packs.

The DC750 operate on 9.6 volt battery packs.

## Storage Recommendations

1. The best storage place is one that is cool and dry away from direct sunlight and excess heat or cold. For optimum battery performance and life, store battery packs at room temperature when not in use.

**NOTE:** Li-Ion battery packs should be fully charged when stored.

2. Long storage will not harm the battery pack or charger. Under proper conditions, they can be stored for up to 5 years.

## Labels on Charger and Battery Pack

In addition to the pictographs used in this manual, the labels on the charger and the battery pack show the following pictographs:



Read instruction manual before use.



Battery charging.



Battery charged.



Battery defective.



Hot/cold pack delay.



Do not probe with conductive objects.



Do not charge damaged battery packs.



Use only with DEWALT battery packs, others may burst, causing personal injury and damage.



Do not expose to water.



Have defective cords replaced immediately.



Charge only between 4° C and 40° C.



Discard the battery pack with due care for the environment.



Do not incinerate the battery pack NiMH, NiCd+ and Li-Ion.



**NiMH** Charges NiMH and NiCd battery packs.



**Li-Ion** Charges Li-Ion battery packs.



See **Technical Data** for charging time.

## Package Contents

The package contains:

- 1 Cordless drill/driver
- 1 Belt hook (DC733, DC740)
- 1 Charger
- 1 Battery pack (K models)
- 2 Battery packs (KA, KL and KB models)
- 1 Screwdriver bit
- 1 Kitbox (K-models only)
- 1 Instruction manual
- 1 Exploded drawing

**NOTE:** Battery packs and chargers are not included with N-models.

- Check for damage to the tool, parts or accessories which may have occurred during transport.
- Take the time to thoroughly read and understand this manual prior to operation.

## DESCRIPTION (fig. 1–3)



**WARNING:** Never modify the power tool or any part of it. Damage or personal injury could result.

- a. Variable speed switch
- b. Forward/reverse slider
- c. Keyless chuck
- d. Mode selector/torque adjustment collar
- e. Collar settings
- f. Two gear selector
- h. Grip
- i. Battery pack
- j. Release buttons
- k. Charger
- l. Charging indicator (red)
- m. Belt hook (DC733, DC740)

### INTENDED USE

Your cordless drill/drivers have been designed for professional drilling and screwdriving applications.

**DO NOT** use under humid conditions or in presence of flammable liquids or gases.

These cordless drill/drivers are professional power tools.

**DO NOT** let children come into contact with the tool. Supervision is required when inexperienced operators use this tool.

### Belt Hook (DC733, DC740) (fig. 1)



**WARNING:** To reduce the risk of serious personal injury, **DO NOT suspend tool overhead or suspend objects from the belt hook. ONLY hang tool's belt hook from a work belt.**



**WARNING:** To reduce the risk of serious personal injury, ensure the screw (n) holding the belt hook is secure.

The belt hook (m) can be attached to either side of the tool to accommodate left- or right- handed users. If the hook is not desired at all, it can be removed from the tool.

To move belt hook, remove the screw (n) that holds the belt hook in place then reassemble on the opposite side.

### Electrical Safety

The electric motor has been designed for one voltage only. Always check that the battery pack

voltage corresponds to the voltage on the rating plate. Also make sure that the voltage of your charger corresponds to that of your mains.



Your DEWALT charger is double insulated in accordance with EN 60335; therefore no earth wire is required.

If the supply cord is damaged, it must be replaced by a specially prepared cord available through the DEWALT service organization.

### Mains Plug Replacement (U.K. & Ireland Only)

If a new mains plug needs to be fitted:

- Safely dispose of the old plug.
- Connect the brown lead to the live terminal in the plug.
- Connect the blue lead to the neutral terminal.



**WARNING:** No connection is to be made to the earth terminal.

Follow the fitting instructions supplied with good quality plugs. Recommended fuse: 3 A.

### Using an Extension Cable

An extension cord should not be used unless absolutely necessary. Use an approved extension cable suitable for the power input of your charger (see **Technical Data**). The minimum conductor size is 1 mm<sup>2</sup>; the maximum length is 30 m.

When using a cable reel, always unwind the cable completely.

### ASSEMBLY AND ADJUSTMENTS



**WARNING:** Prior to assembly and adjustment, always remove the battery pack. Always switch off the tool before inserting or removing the battery pack.



**WARNING:** Use only DEWALT battery packs and chargers.

### Inserting and Removing the Battery Pack from the Tool (fig. 2)



**WARNING:** To reduce the risk of serious personal injury, **turn tool off and disconnect battery pack** before making any adjustments or removing/installing attachments or accessories. An accidental start-up can cause injury.

**TO INSTALL THE BATTERY PACK INTO THE TOOL HANDLE**

1. Align the base of the tool with the notch inside the tool's handle (fig. 2).
2. Slide the battery pack firmly into the handle until you hear the lock snap into place.

**TO REMOVE THE BATTERY PACK FROM THE TOOL**

1. Press the release buttons (j) and firmly pull the battery pack out of the tool handle.
2. Insert battery pack into the charger as described in the charger section of this manual.

**INSERTING AND REMOVING BITS (FIG. 1, 4)**

1. Open the chuck by turning the sleeve (p) counterclockwise and insert the bit shank.
2. Place the bit in the chuck as far as it will go and lift slightly before tightening.
3. Tighten firmly by turning the sleeve clockwise.
4. To remove the bit, proceed in reverse order.

**SELECTING THE OPERATING MODE OR ADJUSTING THE TORQUE (FIG. 5)**

The collar of this tool has 15 positions for the adjustment of the torque to suit the size of the screw and the workpiece material. For torque adjustment, refer to **Screwdriving**.

Select the drilling mode or torque by aligning the symbol or number on the collar (e) with the indicator (q) on the housing.

**FORWARD/REVERSE SLIDER (FIG. 6)**

To select forward or reverse rotation, use the forward/ reverse slider (b) as shown (see arrows on tool).



**WARNING:** To reduce the risk of personal injury, always wait until the motor has come to a complete standstill before changing the direction of rotation.

**TWO-GEAR SELECTOR (FIG. 7)**

Your tool is fitted with a two-gear selector (f) to vary the speed/torque ratio.

- 1 low speed/high torque  
(drilling large holes, driving screws)
- 2 high speed/low torque  
(drilling smaller holes)

For speed rates, refer to the **Technical Data**.



**WARNING:** To reduce the risk of personal injury:

- Always push the two gear selector completely forward or backward.

- Do not change gears at full speed or during use.

**Removing and Fitting the Chuck (fig. 8, 9)**

**DW907**

1. Open the chuck jaws as far as possible.
2. Insert a screwdriver into the chuck and remove the chuck retaining screw by turning clockwise as shown in figure 8.
3. Tighten an hex key into the chuck and strike it with a hammer as shown in figure 9. This will loosen the chuck so that it can be unscrewed by hand.
4. To refit the chuck, proceed in reverse order.

**Prior to Operation**

1. Make sure your battery pack is (fully) charged.
2. Insert the appropriate bit.
3. Mark the spot where the hole is to be drilled.
4. Select forward or reverse rotation.

**OPERATION**

**Instructions for Use**



**WARNING:** To reduce the risk of personal injury:

- Always observe the safety instructions and applicable regulations.
- Be aware of the location of pipework and wiring.
- Apply only a gentle pressure to the tool. Excessive force does not speed up drilling but decreases tool performance and may shorten tool life.
- To minimise stalling on break-through, progressively reduce the drill point pressure towards the end of the operation.
- Keep the motor running when pulling the bit back out of a drilled hole. This will help prevent jamming.

**Proper Hand Position (fig. 1, 10)**



**WARNING:** To reduce the risk of serious personal injury, **ALWAYS** use proper hand position as shown in figure 10.



**WARNING:** To reduce the risk of serious personal injury, **ALWAYS** hold securely in anticipation of a sudden reaction.

Proper hand position requires one hand on top of the housing, with the other hand on the grip (h).

#### SWITCHING ON AND OFF (FIG. 1, 6)

1. To run the tool, press the variable speed switch (a). The pressure exerted on the variable speed switch determines the tool speed.
2. To stop the tool, release the switch.
3. To lock the tool in the off position, move the forward/reverse slider (b) to the central position.



**WARNING:** To reduce the risk of personal injury the drill is equipped with a brake to stop the tool as soon as the variable speed switch is fully released.

### Drill Operation

1. Select the desired speed/torque range using the gear shifter to match the speed and torque to the planned operation.
2. For WOOD, use twist bits, spade bits, power auger bits or hole saws. For METAL, use high-speed steel twist drill bits or hole saws. Use a cutting lubricant when drilling metals. The exceptions are cast iron and brass which should be drilled dry.
3. Always apply pressure in a straight line with the bit. Use enough pressure to keep the drill bit biting, but do not push hard enough to stall the motor or deflect the bit.
4. Hold tool firmly with both hands to control the twisting action of the drill.
5. **IF DRILL STALLS**, it is usually because it is being overloaded. **RELEASE TRIGGER IMMEDIATELY**, remove drill bit from work, and determine cause of stalling. **DO NOT CLICK TRIGGER OFF AND ON IN AN ATTEMPT TO START A STALLED DRILL – THIS CAN DAMAGE THE DRILL.**
6. Keep the motor running when pulling the bit back out of a drilled hole. This will help prevent jamming.

#### SCREWDRIVING (FIG. 1)

1. Select forward or reverse rotation using the slider (b). Match the speed and torque to the planned operation. Insert the desired fastener accessory into the chuck as you would any drill bit.

2. Set the collar (d) to position 1 and begin screwdriving (low torque). Make a few practice runs in scrap or unseen areas to determine the proper position of the clutch collar.
3. If the clutch ratchets too soon, adjust the collar to increase the torque as required.

### MAINTENANCE

Your DEWALT power tool has been designed to operate over a long period of time with a minimum of maintenance. Continuous satisfactory operation depends upon proper tool care and regular cleaning.



**WARNING:** To reduce the risk of serious personal injury, turn tool off and disconnect battery pack before making any adjustments or removing/installing attachments or accessories. An accidental start-up can cause injury.

The charger is not serviceable. There are no serviceable parts inside the charger.



### Lubrication

Your power tool requires no additional lubrication.



### Cleaning



**WARNING:** Blow dirt and dust out of the main housing with dry air as often as dirt is seen collecting in and around the air vents. Wear approved eye protection and approved dust mask when performing this procedure.



**WARNING:** Never use solvents or other harsh chemicals for cleaning the non-metallic parts of the tool. These chemicals may weaken the materials used in these parts. Use a cloth dampened only with water and mild soap. Never let any liquid get inside the tool; never immerse any part of the tool into a liquid.

#### CHARGER CLEANING INSTRUCTIONS



**WARNING:** Shock hazard. Disconnect the charger from the AC outlet before cleaning. Dirt and grease may be removed from the exterior of the charger

using a cloth or soft non-metallic brush.  
Do not use water or any cleaning solutions.



## Optional Accessories



**WARNING:** Since accessories, other than those offered by DEWALT, have not been tested with this product, use of such accessories with this tool could be hazardous. To reduce the risk of injury, only DEWALT, recommended accessories should be used with this product.

Consult your dealer for further information on the appropriate accessories.

## Protecting the Environment



Separate collection. This product must not be disposed of with normal household waste.



Should you find one day that your DEWALT product needs replacement, or if it is of no further use to you, do not dispose of it with household waste. Make this product available for separate collection.



Separate collection of used products and packaging allows materials to be recycled and used again. Re-use of recycled materials helps prevent environmental pollution and reduces the demand for raw materials.

Local regulations may provide for separate collection of electrical products from the household, at municipal waste sites or by the retailer when you purchase a new product.

DEWALT provides a facility for the collection and recycling of DEWALT products once they have reached the end of their working life. To take advantage of this service please return your product to any authorised repair agent who will collect them on our behalf.

You can check the location of your nearest authorised repair agent by contacting your local DEWALT office at the address indicated in this manual. Alternatively, a list of authorised DEWALT repair agents and full details of our after-sales service and contacts are available on the Internet at: **[www.2helpU.com](http://www.2helpU.com)**.

## Rechargeable Battery Pack

This long life battery pack must be recharged when it fails to produce sufficient power on jobs which were easily done before. At the end of its technical life, discard it with due care for our environment:

- Run the battery pack down completely, then remove it from the tool.
- Li-Ion, NiCd and NiMH cells are recyclable. Take them to your dealer or a local recycling station. The collected battery packs will be recycled or disposed of properly.



# KABLOSUZ MATKAP/TORNAVIDA

## DC733, DC740, DC750, DW907

### Tebrikler!

Bir DEWALT aletini tercih ettiniz. Uzun süreli deneyim, esaslı ürün geliştirme ve yenilik DEWALT'ın profesyonel elektrikli alet kullanıcıları için en güvenilir ortaklardan birisi haline gelmesini sağlamaktadır.

### Teknik Veriler

		DC733	DC740	DW907	DC750
Voltaj	V	14,4	12	12	9,6
Tip		2	4	3	3
Yüksüz hız					
1. kademe dev/dak		0-400	0-350	0-350	0-300
2. kademe dev/dak		0-1300	0-1200	0-1200	0-1100
Azami tork	Nm	30	26	21	20
Mandren kapasitesi	mm	10	10	10	10
Çelik/tahtada azami delme kapasitesi	mm	10/30	10/25	10/25	10/22
Ağırlık (pil takımı hariç)	kg	1,1	1,1	1,1	1,1
L <sub>PA</sub> (ses basıncı)	dB(A)	73	72	72	72
K <sub>PA</sub> (ses basıncı belirsizliği)	dB(A)	3	3	3	3
L <sub>WA</sub> (ses gücü)	dB(A)	84	83	83	83
K <sub>WA</sub> (ses gücü belirsizliği)	dB(A)	3,3	3,3	3,3	3,3
Toplam titreşim değerleri (üç yönün vektör toplamı) EN 60745'ye göre belirlenmiştir:					
Yumuşak çelik delme					
a <sub>h,D</sub> = Belirsizlik	m/s <sup>2</sup>	1,7	1,6	1,6	1,5
değeri K =	m/s <sup>2</sup>	1,5	1,5	1,5	1,5
Darbesiz vidalama					
a <sub>h</sub> = Belirsizlik	m/s <sup>2</sup>	1,3	1,2	1,2	1,1
değeri K =	m/s <sup>2</sup>	1,5	1,5	1,5	1,5

Bu bilgi sayfasında verilen titreşim emisyon düzeyi, EN 60745'te sağlanan standart teste uygun olarak ölçülmüştür ve aletleri birbiriyle karşılaştırmak için kullanılabilir. Ön maruziyet değerlendirmesi için kullanılabilir.



**UYARI:** *Beyan edilen titreşim emisyon düzeyi, aletin ana uygulamalarını yansıtır. Ancak alet farklı aksesuarlarla farklı uygulamalar için kullanılırsa veya bakımı kötü yapılırsa, titreşim emisyonu değişebilir. Bu, toplam çalışma süresindeki maruziyet düzeyini önemli ölçüde artırabilir.*

*Tahmini titreşim maruziyeti, aletin kapalı kaldığı veya çalışmasına karşın iş görmediği zamanları da dikkate almalıdır. Bu, toplam çalışma süresindeki maruziyet düzeyini önemli ölçüde azaltabilir.*

*Operatörü titreşim etkilerinden korumak için şu türde ek güvenlik önlemleri alın: Aletin ve aksesuarların bakımını yapın, elleri sıcak tutun, çalışma modellerini düzenleyin.*

Pil takımı	DE9062	DE9074	DE9071	DWCB12
Pil tipi	NiCd	NiCd	NiCd	NiCd
Voltaj	V	9,6	12	12
Kapasite	Ah	1,3	1,3	2,0
Ağırlık	kg	0,42	0,5	0,65

Pil takımı	DE9501	DE9502	DE9091	DWCB14
Pil tipi	NiMH	NiMH	NiCd	NiCd
Voltaj	V	12	14,4	14,4
Kapasite	Ah	2,6	2,6	2,0
Ağırlık	kg	0,58	0,82	0,84

Pil takımı	DE9094	DE9140	DE9141
Pil tipi	NiCd	Li-lyon	Li-lyon
Voltaj	V	14,4	14,4
Kapasite	Ah	1,3	2,0
Ağırlık	kg	0,64	0,58

## TÜRKÇE

Şarj cihazı	DE9116	DE9118	DE9135
Pil tipi	NiCd/NiMH	NiCd	NiCd/ NiMH/ Li-lyon
Şebeke voltajı	V <sub>AC</sub> 230	230	230
Yaklaşık şarj süresi	dk 40 (2,0 Ah pil)	60 (2,0 Ah pil)	40 (2,0 Ah pil)
Ağırlık	kg 0,4	0,9	0,52

### Sigortalar:

Avrupa 230 V aletler 10 Amper, ana şebeke

## Tanımlar: Güvenlik Talimatları

Aşağıdaki tanımlar her uyarı sözcüğü için ciddiyet derecesini gösterir. Lütfen kılavuzu okuyunuz ve bu simgelere dikkat ediniz.



**TEHLİKE:** Engellenmemesi halinde ölüm veya **ciddi yaralanma** ile sonuçlanabilecek çok **yakın bir tehlikeli durumu gösterir.**



**UYARI:** Engellenmemesi halinde ölüm veya **ciddi yaralanma** ile sonuçlanabilecek potansiyel bir **tehlikeli durumu gösterir.**



**DİKKAT:** Engellenmemesi halinde önemsiz veya orta dereceli yaralanma ile sonuçlanabilecek potansiyel bir **tehlikeli durumu gösterir.**

**İKAZ:** Engellenmemesi halinde **maddi hasara neden olabilecek, yaralanma ile ilişkisi olmayan** durumları gösterir.



Elektrik çarpması riskini belirtir.



Yangın riskini belirtir.

## EC Uygunluk Bildirimi

### MAKİNE DİREKTİFİ



DC733, DC740, DC750, DW907

DEWALT, **Teknik veriler** bölümünde açıklanan bu ürünlerin 2006/42/EC, EN 60745-1, EN 60745-2-1 ve EN 60745-2-2 normlarına uygun olarak tasarlandığını beyan eder.

Bu ürünler ayrıca 2004/108/EC ve 2011/65/EU Direktifi ile uyumludur. Daha fazla bilgi için, lütfen aşağıdaki adresten DEWALT ile irtibata geçin veya kılavuzun arkasına bakın.

Bu belge altında imzası bulunan yetkili, teknik dosyanın derlenmesinden sorumludur ve bu beyanı DEWALT adına vermiştir.

Horst Grossmann

Başkan Yardımcısı, Mühendislik ve Ürün Geliştirme  
DEWALT, Richard-Klinger-Straße 11,  
D-65510, Idstein, Almanya  
03.08.2009



**UYARI:** Yaralanma riskini azaltmak için, kullanım kılavuzunu okuyun.

## Genel Elektrikli Alet Güvenlik Uyarıları



**UYARI!** Tüm güvenlik uyarılarını ve tüm talimatları okuyun. Uyarı ve talimatlara uyulmaması elektrik çarpması, yangın ve/veya ciddi yaralanmaya yol açabilir.

### TÜM UYARI VE TALIMATLARI İLERİDE BAŞVURU AMACIYLA SAKLAYIN

Uyarılarda geçen "elektrikli alet" terimi, ana şebekeden güç alan (kablolu) elektrikli aletinizi veya pil ile çalışan (kablosuz) elektrikli aletinizi ifade etmektedir.

### 1) ÇALIŞMA ALANININ GÜVENLİĞİ

- Çalışma alanını temiz tutun ve iyi ışıklandırın.** Karışık veya karanlık bölgeler kazalara yol açabilir.
- Elektrikli aletleri yanıcı sıvılar, gazlar veya toz gibi patlayıcıların bulunduğu ortamlarda kullanmayın.** Elektrikli aletler toz veya dumanı ateşleyebilecek kıvılcımlar çıkarmaktadır.
- Bir elektrikli aleti kullanırken çocukları ve etraftaki insanları uzakta tutun.** Dikkat dağınıcılığı şeyler kontrolü kaybetmenize sebep olabilir.

## 2) ELEKTRİK EMNİYETİ

- a) **Elektrikli aletin fişleri prize uygun olmalıdır. Fişi hiçbir şekilde değiştirmeyin. Topraklanmış elektrikli aletler ile birlikte adaptör fişlerini kullanmayın.** Değiştirilmemiş fişler ve uygun prizler elektrik çarpması riskini azaltacaktır.
- b) **Borular, radyatörler, mutfak ocakları ve buzdolapları gibi topraklanmış yüzeylerle vücudunuzun temas etmesini engelleyin.** Vücudunuzun topraklanması halinde elektrik çarpması riski artmaktadır.
- c) **Elektrikli aletleri yağmura veya ıslak koşullara maruz bırakmayın.** Bir elektrikli aletin içine giren su, elektrik çarpması riskini artıracaktır.
- d) **Kabloyu başka amaçlarla kullanmayın. Kabloyu hiçbir zaman elektrikli aleti taşımak, sürüklemek veya prizden çekmek üzere kullanmayın. Kabloyu ısı, yağ, keskin köşeler veya hareketli parçalardan uzak tutun.** Hasarlı veya dolaşmış kablolar elektrik çarpması riskini artırmaktadır.
- e) **Bir elektrikli aleti dış mekanda kullanırken, dış mekan kullanımına uygun bir uzatma kablosu kullanın.** Dış mekan kullanımına uygun bir kablounun kullanılması elektrik çarpması riskini azaltmaktadır.
- f) **Elektrikli aletin nemli ortamda çalışması kaçınılmazsa, bir artık akım cihazı (RCD) korumalı besleme kullanın.** RCD kullanımı elektrik çarpma riskini azaltır.

## 3) KİŞİSEL GÜVENLİK

- a) **Bir elektrikli aleti kullanırken tetikte olun, ne yaptığınıza dikkat edin ve sağduyunuzu kullanın.** Yorgun olduğunuz zaman veya ilaç, alkol ya da başka tedavi etkisi altında iken elektrikli aleti kullanmayın. Elektrikli aletleri kullanırken bir anlık dikkatsizlik ciddi kişisel yaralanmaya yol açabilir.
- b) **Kişisel koruyucu ekipman kullanın. Her zaman göz koruması kullanın.** Uygun koşullarda kullanılan toz maskesi, kaymaz emniyet ayakkabıları, kask veya duyma koruması gibi koruyucu ekipman kişisel yaralanmaları azaltacaktır.
- c) **İstemeyerek çalıştırmaktan kaçının. Güç kaynağını ve/veya pil takımını bağlamadan, aleti yerden kaldırmadan**

**ya da taşımadan önce anahtarın off (kapalı) konumunda olduğundan emin olun.** Elektrikli aletleri parmağınız anahtar üzerindeyken taşımak veya anahtarı açık konumdaki elektrikli aletleri prize takmak kazalara yol açacaktır.

- d) **Elektrikli aleti açık konuma getirmeden önce varsa ayar anahtarını veya ayarlı penseyi çıkarın. Elektrikli aletin dönen bir parçasına bağlı kalan bir ayarlı pense veya anahtar kişisel yaralanmaya yol açabilir.**
- e) **Yetişemeyeceğiniz noktalara uzanmayın. Her zaman için uygun ayak basacak yer bulun ve dengeyi sağlayın.** Böylece beklenmeyen durumlarda elektrikli alet daha iyi kontrol edilebilecektir.
- f) **Uygun giysiler giyin. Bol giysiler veya takı kullanmayın. Saçınız, giysileriniz ve eldivenlerinizi hareketli parçalardan uzak tutun.** Bol giysiler, takılar veya uzun saç hareketli parçalara takılabilir.
- g) **Toz çekme ve toplama araç-gereçlerinin bağlanması için cihazlar verilmesi halinde, bunların uygun biçimde bağlanması ve kullanılmasını sağlayın.** Toz toplama kullanımı tozla ilgili tehlikeleri azaltabilir.

## 4) ELEKTRİKLİ ALETİN KULLANIMI VE BAKIMI

- a) **Elektrikli aleti zorlamayın. Uygulamanız için doğru elektrikli aleti kullanın.** Doğru elektrikli alet, tasarlandığı hızda işi daha iyi ve daha güvenli yapacaktır.
- b) **Açma/kapama anahtarı çalışmazsa elektrikli aleti kullanmayın.** Anahtar ile kontrol edilemeyen herhangi bir elektrikli alet tehlikelidir ve tamir edilmelidir.
- c) **Herhangi bir ayarlama yapmadan, aksesuarları değiştirmeden önce elektrikli aletleri saklamadan veya fişi güç kaynağından çekin ve/veya pilleri çıkarın.** Bu türlü koruyucu güvenlik önlemleri elektrikli aletin yanlışlıkla çalışması riskini azaltır.
- d) **Boştaki elektrikli aletleri çocukların erişemeyeceği yerlerde muhafaza edin ve elektrikli aleti veya bu talimatları bilmeyen kişilerin elektrikli aleti kullanmasına izin vermeyin.** Elektrikli aletler eğitimsiz kullanıcıların elinde çok tehlikelidir.
- e) **Elektrikli aletlerin bakımını yapın. Hareketli parçaların hizalanmasını veya bağlantılarını, parçaların kırık**

*olup olmadığını ve elektrikli aletlerin çalışmasını etkileyebilecek başka koşulları kontrol edin. Hasarlı ise, kullanmadan önce elektrikli aletin tamirini yaptırın. Kazaların pek çoğu, bakımı yapılmayan elektrikli aletlerden kaynaklanmaktadır.*

- f) **Kesme aletlerini keskin ve temiz tutun. Bakımı gerektiği şekilde yapılmış keskin uçlu kesme aletlerinin rahatsızlık yaratma olasılığı daha az, kontrolü daha kolaydır.**
- g) **Elektrikli el aletini, aksesuarları ve uçları vb. çalışma şartlarını ve gerçekleştirecek işi göz önüne alarak bu talimatlara göre kullanın. Elektrikli aletin amacı dışındaki işlemlerde kullanılması tehlikeli durumlara yol açabilir.**
- 5) PİL CİHAZININ KULLANIMI VE BAKIMI**
- a) **Sadece imalatçı tarafından belirtilen şarj cihazı ile şarj edin. Bir pil takımı türüne uygun olan bir şarj cihazı, başka bir pil takımı ile kullanıldığında yangın riski ortaya çıkarabilir.**
- b) **Elektrikli aletleri sadece özellikle belirtilen pil takımları ile kullanın. Başka pil takımlarının kullanılması yaralanma ve yangın tehlikesi oluşturabilir.**
- c) **Kullanılmadığı zamanlarda pil takımını kağıt klipsler, madeni paralar, anahtarlar, çiviler, vidalar veya bir kutup başından diğerine bağlantı yapabilecek diğer küçük metal nesnelere uzak tutun. PİL kutup başlarının kısa devre yapılması yanıklara veya yangına sebep olabilir.**
- d) **Kötü koşullar altında, pilden sıvı çıkabilir, teması önleyin. Yanlışlıkla temas olursa, su ile yıkayın. Sıvı gözlere temas ederse, tıbbi yardım alın. Pilden çıkan sıvı irritasyona veya yanıklara yol açabilir.**

## 6) SERVİS

- a) **Elektrikli aletinizin eğitimli bir tamir görevlisi tarafından sadece aynı yedek parçalar kullanılarak tamir edilmesini sağlayın. Bu şekilde elektrikli aletin güvenliği sağlanmış olacaktır.**

## Matkaplar için İlave Özel Güvenlik Kuralları

- **Koruyucu kulaklık kullanın. Gürültüye maruz kalınması, işitme kaybına yol açabilir.**
- **Gömülü elektrik kablolarına veya kendi kablosuna temas etmesine yol**

**açabilecek çalışmalarda elektrikli aleti sadece izole edilmiş sapsız tutun.** Kesim aksesuarı elektrik akımı bulunan kablolarla temas ettiğinde, akım elektrikli aletin iletken metal parçaları üzerinden operatöre iletilerek elektrik çarpmasına yol açabilir.

- **Kesilecek parçayı sağlam bir yere sabitlemek için işkence veya başka araçlar kullanın. Parçanın elinizle veya vücudunuzu kullanarak tutulması güvenilmezdir ve kontrol kaybına neden olabilir.**
- **Koruyucu gözlük veya gözü koruyacak başka araçlar kullanın. Delme işlemleri uçşan talaşlara neden olur. Uçan parçacıklar kalıcı göz hasarına neden olabilir.**
- **Uçlar ve araçlar çalışırken ısınabilir. Bunlara dokunurken eldiven giyin.**
- **Makinenin sapsız mutlak kuru ve temiz tutun ve sapsız yağ veya gres bulaşmasını önleyin. Kauçuk eldiven kullanılması tavsiye olunur. Bu sayede aleti daha iyi kontrol edebilirsiniz.**

## Kalan Riskler

Aşağıdaki riskler matkap kullanmanın özünde mevcuttur:

- Aletin dönen veya sıcak parçalarına dokunma sonucu yaralanma.

İlgili güvenlik düzenlemelerinin uygulanması ve güvenlik cihazlarının kullanılmasına rağmen, bazı risklerden kaçınmak mümkün değildir. Bunlar:

- İşitme bozukluğu.
- Aksesuarları değiştirirken parmakların ezilme tehlikesi.
- Ahşap malzemeler üzerinde çalışırken meydana gelen tozun yutulması sonucu oluşan sağlık sorunları.
- Sıçrayan parçacıklardan kaynaklanan yaralanma riski.
- Uzun süreli kullanımdan kaynaklanan yaralanma riski.

## Alet Üzerindeki Etiketler

Alet üzerinde aşağıdaki resimler bulunmaktadır:



Kullanmadan önce kullanım kılavuzunu okuyun.

**TARİH KODU KONUMU**

İmalat yılını da içeren Tarih Kodu, alet ile akü arasındaki montaj ek yerini oluşturan kasanın yüzeyine basılıdır.

Örnek:

2012 XX XX

İmalat Yılı

## Tüm Akü Şarj Cihazları İçin Önemli Güvenlik Talimatları

**BU TALİMATLARI SAKLAYIN:** Bu kılavuz, DE9116/DE9118/DE9135 pil şarj cihazları için önemli güvenlik ve çalıştırma talimatları içerir.

- Şarj cihazını kullanmadan önce, aküyü kullanırken şarj cihazı, akü ve ürün üzerindeki tüm talimatları ve uyarıcı işaretleri okuyun.



**TEHLİKE:** Elektrikle ölüm tehlikesi. Şarj kutup başlarında 230 volt elektrik vardır. İletken nesnelere temas etmeyin. Elektrik şoku veya elektrik sebebiyle ölüm ortaya çıkabilir.



**UYARI:** Şok tehlikesi. Herhangi bir sıvının şarj cihazının içine girmesine izin vermeyin. Elektrik şokuna yol açabilir.



**DİKKAT:** Yanık tehlikesi. Yaralanma riskini azaltmak için, sadece yeniden şarj edilebilen DEWALT akülerini şarj edin. Diğer akü türleri, yaralanma veya hasara yol açacak şekilde infilak edebilir.



**DİKKAT:** Belirli şartlar altında, şarj cihazı güç kaynağına takılıyken, şarj cihazının içinde bulunan açıktaki şarj temas noktaları, yabancı maddelerle kısa devre yapabilir. Çelik yünü, alüminyum folyo veya metalik parçacıklardan oluşan herhangi bir takviye gibi iletken niteliği olan yabancı maddeler, şarj etme yuvalarından uzak tutulmalıdır. Şarj yuvasında akü olmadığına, daima şarj cihazının güç kaynağı bağlantısını kesin. Temizlemeye kalkışmadan önce şarj cihazının fişini prizden çekin.

- Aküyü, bu kılavuzda belirtilenlerin haricinde herhangi başka şarj cihazlarıyla şarj etmeye KALKIŞMAYIN. Şarj cihazı ve akü, özel olarak birlikte çalışmak üzere tasarlanmıştır.

- Bu şarj cihazlarının, yeniden şarj edilebilen DEWALT akülerini şarj etme dışında herhangi bir şekilde kullanılması amaçlanmaz. Herhangi başka kullanım, yangın, elektrik şoku veya elektrikle ölüm riskine yol açabilir.
- Şarj cihazını yağmura veya kara maruz bırakmayın.
- Şarj cihazının bağlantısını sökerken kabloyu değil fişi çekin. Bu, elektrik fişi ve kablolu hasar görmesi riskini azaltacaktır.
- Kablonun, üzerine basılmayacak, takılıp düşülmeyecek şekilde konumlandırıldığından emin olun; aksi takdirde zarar görebilir veya gerilime maruz kalabilirsiniz.
- Mutlaka gerekli olmadığı sürece uzatma kablosu kullanmayın. Yanlış uzatma kablosunun kullanılması, yangına, elektrik şokuna veya elektrikle ölüme yol açabilir.
- Şarj cihazının üzerine herhangi bir nesne yerleştirmeyin veya şarj cihazını, havalandırma yuvalarını kapatabilecek ve aşırı iç ısınmaya yol açabilecek yumuşak bir yüzeye yerleştirmeyin. Şarj cihazını tüm ısı kaynaklarının uzağına konumlandırın. Şarj cihazı, kasanın üstündeki ve altındaki yuvalarla havalandırılır.
- Şarj cihazını hasarlı bir kabloyla veya fişle çalıştırmayın bunları derhal değiştirin.
- Sert bir darbe almışsa, düştüyse veya herhangi bir şekilde zarar görmüşse şarj cihazını çalıştırmayın. Cihazı yetkili bir servis merkezine götürün.
- Şarj cihazını açmaya çalışmayın; servis veya onarım gerekirse yetkili bir servis merkezine götürün. Hatalı olarak yeniden kurulması, elektrik şoku, elektrikle ölüm veya yangın gibi risklere yol açabilir.
- Herhangi bir temizlikten önce şarj cihazının fişini prizden çekin. Bu, elektrik şoku riskini azaltacaktır. Aküyü çıkarmak riski azaltmaz.
- HİÇBİR ZAMAN 2 şarj cihazını birlikte bağlamaya çalışmayın.
- Şarj cihazı, standart 230V ev elektriği gücüyle çalışmak üzere tasarlanmıştır. Başka herhangi bir voltajla kullanmayı denemeyin. Bu, araç şarj cihazı için geçerli değildir.

## BU TALIMATLARI SAKLAYIN

## Şarj cihazları

DE9116 şarj cihazı 7,2 – 18 V arasında değişen DEWALT NiCd ve NiMH pillerle kullanılabilir.

DE9118 şarj cihazı 7,2 – 14,4 V arasında değişen DEWALT NiCd pillerle kullanılabilir.

DE9135 şarj cihazının 7,2 - 18 V'luk NiCd, NiMH veya Li-Ion pilleri şarj edebilir.

Bu şarj cihazları ayarlama gerektirmez ve kullanımı mümkün olduğunda kolay olacak şekilde tasarlanmıştır.

## Şarj Etme (şekil [fig.] 2)



**TEHLİKE:** Elektrikle ölüm tehlikesi. Şarj kutup başlarında 230 volt elektrik vardır. İletken nesnelere temas etmeyin. Elektrik çarpması veya elektrikle ölüm tehlikesi.

1. Aküyü takmadan önce, şarj cihazının (k) fişini uygun prize takın.
2. Aküyü şarj cihazına takın. Kırmızı (şarj) ışığın sürekli yanıp sönmeye başlamesi, şarj işleminin başladığını gösterir.
3. Kırmızı ışığın sürekli AÇIK kalması, şarjın tamamlandığını gösterir. Akü tamamen şarj olmuştu ve hemen kullanılabilir veya şarj cihazında bırakılabilir.

**NOT:** NiCd, NiMH ve Li-Ion pillerden maksimum performans ve kullanım ömrü elde etmek için pili ilk defa kullanmadan önce en az 10 saat şarj edin.

## Şarj İşlemi

A күnün şarj durumu için aşağıdaki tabloya bakın.

Şarj durumu	
şarj oluyor	- - - -
tamamen şarj oldu	_____
sıcak/soğuk akü gecikmesi	— — — —
arızalı akü, değiştirin	●●●●●●●●
problem	●● ●● ●● ●●

## Otomatik Yenileme (DE9116, DE9135)

Otomatik yenileme modu, aküdeki ayrı hücrelerin en yüksek kapasitede eşitlenmesini veya dengelenmesini sağlayacaktır. Aküler haftada bir ya da akü artık aynı miktarda iş çıkarmadığı zaman yenilenmelidir.

Akünü yenilemek için her zaman olduğu gibi aküyü şarj cihazınıza yerleştirin. Aküyü en az 10 saat şarj cihazında bırakın.

## Sıcak/Soğuk Akü Gecikmesi (DE9116, DE9135)

Şarj cihazı bir akünün çok sıcak veya çok soğuk olduğunu tespit ederse, otomatik olarak Sıcak/Soğuk Akü Gecikmesini başlatır ve akü uygun sıcaklığa ulaşana kadar şarj işlemini durdurur. Şarj cihazı bundan sonra otomatik olarak şarj moduna geçer. Bu özellik maksimum akü ömrü sağlar.

## SADECE LI-ION AKÜLER

Li-Ion aküler, aküyü aşırı yük, aşırı ısınma veya derin deşarja karşı koruyan Elektronik Koruma Sistemli olarak tasarlanmıştır.

Elektronik Koruma Sisteminin devreye girmesi durumunda alet otomatik olarak kapanır. Bu durumla karşılaşarsanız Li-Ion aküyü şarj cihazına yerleştirin ve tam olarak şarj olmasını bekleyin.

## Tüm Aküler İçin Önemli Güvenlik Talimatları

Yedek aküleri sipariş ederken, katalog numarasını ve voltajı eklediğinizden emin olun.

Akü, kutudan şarjı dolu olarak çıkmaz. Aküyü ve şarj cihazını kullanmadan önce, aşağıdaki güvenlik talimatlarını dikkatlice okuyun. Daha sonra belirtilen şarj işlemlerini uygulayın.

## TÜM TALIMATLARI OKUYUN

- **Elektrikli aletleri yanıcı sıvılar, gazlar veya toz gibi patlayıcıların bulunduğu ortamlarda şarj etmeyin veya kullanmayın.** Aküyü şarj cihazına takar veya çıkarırken toz veya dumanlar tutuşabilir.
- Aküleri yalnızca DEWALT şarj cihazlarında şarj edin.
- Su veya başka sıvılar **SİÇRATMAYIN** ve bunlara **BATIRMAYIN**.
- **Aleti ve aküyü, sıcaklığın 40 °C'ye veya üzerine ulaşabileceği yerlerde (yaz aylarında dışarıdaki sundurmalar veya metal binalar gibi) saklamayın ve kullanmayın.**



**TEHLİKE:** Hiçbir zaman herhangi bir nedenle aküyü açmaya çalışmayın. Gövdesi çatlamış veya hasarlı aküyü şarj cihazına takmayın. Aküyü

ezmeyin, düşürmeyin ve hasar vermeyin. Sert bir darbe almış, düşmüş, ezilmiş veya herhangi bir şekilde hasar görmüş (çiviyle delinmiş, çekiç darbesi almış, üzerine basılmış) aküyü veya şarj cihazını kullanmayın. Elektrik şokuna veya elektrik sebebiyle ölüme neden olabilir. Hasarlı aküler, geri dönüştürülmek üzere yetkili servise götürülmelidir.



**DİKKAT: Kullanmadığınız zaman, aleti takılma veya düşme tehlikesi oluşturmayan düz bir yüzey üzerine yana yatırarak yerleştirin.** Büyük aküleri bulunan bazı aletler, akü üzerinde dik konumda durur ancak kolaylıkla devrilebilir.

### NİKEL KADMİYUM (NiCd) VEYA NİKEL METAL HİDRÜR (NiMH) İÇİN ÖZEL GÜVENLİK TALİMATLARI

- **Önemli ölçüde hasarlı veya tamamen eskimiş olsa bile aküyü ateşe atmayın.** Akü ateşe atılırsa patlayabilir.
- **Aşırı kullanım veya sıcaklık koşullarında, akü hücrelerinden az miktarda sıvı sızabilir.** Bu, hasar olduğunu göstermez.

Ancak dış mühür bozulursa:

- a. ve akü sıvısı cildinize bulaşırsa, derhal cildinizi su ve sabunla birkaç dakika boyunca yıkayın.
- b. ve akü sıvısı gözlerinize bulaşırsa, en az 10 dakika boyunca gözlerinizi temiz suyla yıkayın ve derhal tıbbi yardım alın. (**Tıbbi not:** Sıvı, %25–35 oranında potasyum hidroksit solüsyonudur.)

### LİTYUM İYON İÇİN ÖZEL GÜVENLİK TALİMATLARI (Li-Ion)

- **Önemli ölçüde hasarlı veya tamamen eskimiş olsa bile aküyü ateşe atmayın.** Akü ateşe atılırsa patlayabilir. Lityum iyon aküler yanınca zehirli buharlar ve materyaller açığa çıkar.
- **Akü içeriği cildinizle temas ederse, etkilenen alanı derhal yumuşak bir sabun ve suyla yıkayın.** Akü sıvısı gözlerinize bulaşırsa, gözünüzü açık tutarak 15 dakika boyunca veya tahriş hissi geçene kadar suyla yıkayın. Tıbbi yardım gerekirse, akü elektroliti sıvı organik karbonatlar ve lityum tuzları karışımından oluşmaktadır.

- **Açılan akü hücrelerinin içeriği solunum yolunu tahriş edebilir.** Ortama temiz hava girmesini sağlayın. Belirtiler geçmezse tıbbi yardım alın.



**UYARI:** Yanık tehlikesi. Akü sıvısı kıvılcıma veya ateşe maruz kalırsa yangını oluşturabilir.

### Akü Kapağı (şekil 3)

Bağlantısız bir akünün ilgili parçalarını örtmek üzere bir koruyucu akü kapağı başlığı temin edilmiştir. Koruyucu kapağın yerinde olmaması halinde, gevşek metal nesnelere bu parçalara kısa devre yaparak, yangın tehlikesine yol açabilir ve aküye zarar verebilir.

1. Aküyü şarj cihazına veya alete yerleştirmeden önce koruyucu akü kapağını (o) çıkarın (şek. 3A).
2. Aküyü şarj cihazı veya aletten çıkardıktan hemen sonra koruyucu kapağı bağlantılı parçaların üzerine yerleştirin (şek. 3B).



**UYARI:** Bağlantısız bir aküyü taşımadan veya saklamadan önce koruyucu akü kapağının yerinde olduğundan emin olun.

### Akü (şekil 1)

#### AKÜ TİPİ

DC733 14,4 voltluk pillerle çalışır.

DC740 ve DW907 12 voltluk pillerle çalışır.

DC750 9,6 voltluk pillerle çalışır.

### Saklama Önerileri

1. En iyi saklama ortamı serin ve kuru, doğrudan güneş ışığı almayan, aşırı sıcak ve soğuk olmayan yerlerdir. Optimum akü performansı ve ömrü için kullanımda değilken aküleri oda sıcaklığında saklayın.

**NOT:** Li-Ion aküler saklanırken tam şarjlı olmalıdır.

2. Uzun süreli saklama, akü ya da şarj cihazına zarar vermez. Uygun şartlar altında aküler, 5 yıla kadar saklanabilirler.

### Şarj cihazı ve pil takımı üzerindeki etiketler

Bu kılavuzda kullanılan piktografalara ilave olarak, şarj cihazı ve pil takımı üzerinde bulunan etiketler aşağıdaki piktografaları göstermektedir:



Kullanmadan önce talimat kılavuzunu okuyun.



Pil şarj oluyor.



Pil şarj oldu.



Pil arızalı.



Sıcak/soğuk pil gecikmesi.



İletken nesnelere temas etmeyin.



Hasarlı pil takımlarını şarj etmeyin.



Sadece DEWALT pil takımları ile kullanın, diğerleri patlayabilir ve kişisel yaralanma ve hasara yol açabilir.



Suya maruz bırakmayın.



Hasarlı kabloları derhal yenisiyle değiştirin.



Sadece 4 °C ve 40 °C arasında şarj edin.



Pil takımını çevreye gerekli özeni göstererek imha edin.



NiMH, NiCd+ ve Li-lyon pil takımını ateşe atmayın.



NiMH Şarj cihazı, NiMH ve NiCd pil takımlarını şarj eder.



Li-ion Şarj cihazı, Li-lyon pil takımlarını şarj eder.



Şarj süresi için **Teknik veriler** bölümüne bakın.

## Paket içeriği

Paket içeriğinde şunlar bulunmaktadır:

- 1 Kablosuz matkap/tornavida

- 1 Kemer kancası (DC733, DC740)
- 1 Şarj cihazı
- 1 Pil takımı (K modelleri)
- 2 Pil takımı (KA, KL ve KB modelleri)
- 1 Tornavida ucu
- 1 Alet kutusu (sadece K modelleri)
- 1 Kullanım kılavuzu
- 1 Parça şeması

**NOT:** N modelleriyle birlikte pil takımları ve şarj cihazları verilmemektedir.

- *Alet, parçalar ve aksesuarlarda nakliye sırasında hasar oluşup oluşmadığını kontrol edin.*
- *Çalıştırmadan önce bu kılavuzu iyice okuyup anlamak için zaman ayırın.*

## Açıklama (şekil 1–3)



**UYARI:** Hiçbir zaman elektrikli aleti veya herhangi bir parçasını değiştirmeyin. Hasarla veya yaralanmayla sonuçlanabilir.

- Değişken hız düğmesi
- İleri/geri düğmesi
- Anahtarsız mandren
- Mod seçici/tork ayarlama bileziği
- Bilezik ayarları
- Çift kademeli seçici
- Tutamak
- Pil takımı
- Çıkarma düğmeleri
- Şarj cihazı
- Şarj göstergesi (kırmızı)
- Kemer kancası (DC733, DC740)

## KULLANIM ALANI

Kablosuz matkap/tornavidanız profesyonel delme ve vidalama uygulamaları için tasarlanmıştır.

Nemli koşullarda veya yanıcı sıvı ya da gazların mevcut olduğu ortamlarda **KULLANMAYIN**.

Bu kablosuz matkap/tornavidalar profesyonel elektrikli aletlerdir.

Çocukların alete ellemesine **İZİN VERMEYİN**. Bu alet deneyimsiz kullanıcılar tarafından kullanılırken nezaret edilmelidir.



## Kemer kancası (DC733, DC740) (şekil 1)



**UYARI: Ciddi yaralanma riskini azaltmak için aleti baş üstü ASMAYIN veya kemer kancasına eşya ASMAYIN. Aletin kemer kancasını SADECE çalışma kemerine asın.**



**UYARI: Ciddi yaralanma riskini azaltmak için kemer kancasını tutan vidanın (n) sağlam olduğunu kontrol edin.**

Kemer kancası (m) sağ veya sol elle çalışan kullanıcıların kullanabilmeleri için aletin iki tarafına da takılabilir. Kanca hiç kullanılmıyacaksa aletten çıkarılabilir.

Kemer kancasını çıkarmak için kemer kancasını tutan vidayı (n) sökün ve ardından diğer tarafa yeniden takın.

## Elektrik emniyeti

Elektrik motoru sadece tek bir voltaj için tasarlanmıştır. Her zaman pil takımı voltajının, sınıflandırma plakasındaki voltajla aynı olup olmadığını kontrol edin. Ayrıca, şarj cihazınızın voltajının ana şebeke voltajı ile aynı olmasına dikkat edin.



DEWALT şarj cihazınız EN 60335 standardına uygun olarak çift yalıtımlıdır; bu nedenle, topraklama kablosuna gerek yoktur.

Güç kablosu hasarlıysa, DEWALT servis kuruluşundan temin edilebilen özel olarak hazırlanmış bir kabloyla değiştirilmelidir.

## Uzatma kablosu kullanma

Gerekli olmadığı sürece uzatma kablosu kullanılmamalıdır. Şarj cihazınızın güç girişine uygun onaylı bir uzatma kablosu kullanın (**Teknik veriler** bakın). Minimum iletken ebadı 1 mm<sup>2</sup>; maksimum uzunluk 30 m'dir.

Bir kablo makarası kullanırken, her zaman kabloyu tamamen makaradan çıkarın.

## MONTAJ VE AYARLAMALAR



**UYARI: Montaj ve ayarlamaya işleminden önce, her zaman pili çıkarın. Pil takımını takip çıkarmadan önce her zaman aleti kapatın.**



**UYARI: Sadece DEWALT pil takımları ve şarj aletleri kullanın.**

## Pil Takımını Alete Takıp Çıkarma (şekil 2)



**UYARI: Ciddi yaralanma riskini azaltmak için herhangi bir ayar yapmadan ya da parça veya aksesuarları söküp takmadan önce aleti kapatın ve pili ayırın. Aletin yanlışlıkla çalıştırılması yaralanmaya neden olabilir.**

### PILI ALETE TAKMAK İÇİN

1. Aletin sapındaki tırnak ile aletin tabanını hizalayın (şekil 2).
2. Yerine oturduğunu duyuncaya dek pili sıkıca sapa sokun.

### PILI ALETEN ÇIKARMAK İÇİN

1. Çıkarma düğmelerine (j) basın ve pili aletin sapından çekerek çıkarın.
2. Pili şarj cihazına bu kılavuzun şarj cihazı kısmında anlatıldığı şekilde takın.

### UÇLARIN TAKILIP ÇIKARILMASI (ŞEKİL 1, 4)

1. Manşonu (p) saatin aksi yönünde çevirerek mandreni açın ve ucu takın.
2. Ucu mandrene sonuna kadar sokun ve sıkımadan önce hafifçe kaldırın.
3. Manşonu saat yönünde çevirerek iyice sıkın.
4. Ucu çıkarmak için ters sırayı takip edin.

### ÇALIŞMA MODUNUN SEÇİLMESİ VEYA TORKUN AYARLANMASI (ŞEKİL 5)

Vidanın boyutu ve parçanın malzemesine uydurmak üzere torku ayarlamak için bu aletin bileziği 15 pozisyona sahiptir. Tork ayarı için **Vidalama** kısmına bakın.

Bilezik (e) üzerindeki sembol veya numara ile gövde üzerindeki göstereyi (q) hizalayarak matkap modunu veya torku seçin.

### İLERİ/GERİ DÜĞMESİ (ŞEKİL 6)

İleri veya geri dönüşü seçmek için şekilde gösterildiği gibi ileri/geri düğmesini (b) kullanın (aletin üzerindeki oklara bakın).



**UYARI: Yaralanma tehlikesini azaltmak için dönüş yönünü değiştirmeden önce daima motorun tamamen durmasını bekleyin.**

## ÇİFT KADEMELİ SEÇİCİ (ŞEKİL 7)

Hız/tork oranını değiştirmek için aletinizde çift kademeli seçici (f) bulunmaktadır.

- 1 düşük hız/yüksek tork  
(büyük delik delme, vidalama)
- 2 yüksek hız/düşük tork  
(küçük delik delme)

Hız oranları için **Teknik veriler** bakın.



**UYARI:** Yaralanma riskini azaltmak için:

- İki kademeli seçiciyi daima tamamen ileri veya geri itin.
- Tam hızda veya kullanım sırasında kademe değiştirmeyin.

## Mandrenin Takılıp Çıkarılması (şekil 8, 9)

DW907

1. Mandren dişlerini mümkün olduğunca açın.
2. Mandrene bir tornavida sokun ve şekil 8'de gösterildiği gibi saat yönünde çevirerek mandren tespit vidasını sökün.
3. Mandrene bir altı köşeli anahtar sıkıştırın ve şekil 9'de gösterildiği gibi bir çekiçle vurun. Bu sayede mandren gevşeyecek ve elle döndürerek sökülebilir hale gelecektir.
4. Mandreni tekrar takmak için ters sırayı takip edin.

## Çalıştırmadan Önce:

1. Pilin (tam) şarj olduğundan emin olun.
2. Uygun uç takın.
3. Delik delinecek yeri işaretleyin.
4. İleri veya geri dönüşü seçin.

## KULLANMA

### KULLANMA TALİMATLARI



**UYARI:** Yaralanma riskini azaltmak için:

- Güvenlik talimatlarına ve geçerli düzenlemelere her zaman uyun.
- Boru ve kablo tesisatlarının yerlerine dikkat edin.
- Alete sadece hafif bir baskı uygulayın. Aşırı güç uygulamak delme işlemini hızlandırmadığı gibi aletin

performansını düşürerek ömrünü kısaltır.

- Delme sırasında tutukluk yapmasını en aza indirmek için işlemin sonuna doğru delme noktasına uygulanan basıncı kademeli olarak azaltın.
- Delinen delikten ucu geri çekerken motoru çalışır durumda muhafaza edin. Bu işlem sıkışmayı önlemeye yardımcı olur.

## Uygun El Pozisyonu (şekil 1, 10)



**UYARI:** Ciddi yaralanma riskini azaltmak için, **DAİMA** şekil 10'de gösterilen uygun el pozisyonunu kullanın.



**UYARI:** Ciddi yaralanma riskini azaltmak için, ani tepki ihtimaline karşı **DAİMA** sıkıca tutun.

Uygun el pozisyonu bir elin gövdenin altında ve diğer elin ana tutamakta (h) olmasını gerektirir.

## AÇMA KAPAMA (ŞEKİL 1, 6)

1. Aleti çalıştırmak için değişken hız düğmesine (a) basın. Değişken hız düğmesine uygulanan basıncı, aletin hızını belirler.
2. Aleti durdurmak için düğmeyi bırakın.
3. Aleti kapalı konumda sabitlemek için ileri/geri düğmesini (b) ortaya alın.



**UYARI:** Yaralanma riskini azaltmak için matkap, değişken hız düğmesi tamamen bırakılır bırakılmaz aleti durduran bir fren ile donatılmıştır.

## Delme İşlemi

1. Planlanan işleme uygun hız ve tork seçmek için kademe seçicisini kullanarak istenilen hız/tork aralığını seçin.
2. AHŞAP için matkap ucu, elektrikli burgu ucu veya delik testeresi kullanın. METAL için yüksek hızlı çelik matkap ucu veya delik testeresi kullanın. Metalleri delerken kesim yağı kullanın. Kuru olarak delinmesi gereken istisnalar dökme demir ve pirinçtir.
3. Uç ile düz bir hatta daima basıncı uygulayın. Delme ucunun delmeye devam etmesi için yeterli basıncı kullanın ancak motorun tutukluk yapması veya ucun sapmasını engellemek için aşırı güç kullanmayın.

4. Matkabın dönüş hareketini kontrol etmek için aleti her iki elinizle sıkıca tutun.
5. **MATKAP TUTUKLUK YAPARSA** bunun nedeni genellikle aşırı yüklenmesidir. **TETİĞİ DERHAL BIRAKIN**, matkap ucunu parçadan çekin ve tutukluk yapmasının nedenini belirleyin. **SIKIŞMIŞ DURUMDAKİ MATKABI DÖNDÜRMEK İÇİN TETİĞİ BIRAKIP YENİDEN BASMAYIN - BU İŞLEM MATKABA HASAR VEREBİLİR.**
6. Delinen delikten ucu geri çekerken motoru çalışır durumda muhafaza edin. Bu işlem sıkışmayı önlemeye yardımcı olur.

### VIDALAMA (ŞEKİL 1)

1. Düğmeyi (b) kullanarak ileri veya geri dönüşü seçin. Planlanan işleme uygun hız ve tork seçin. İsteddiğiniz vidalama ucunu mandrene takın.
2. Bileziği (d) pozisyon 1'e alın ve vidalamaya başlayın (düşük tork). Kavramalı bileziğin uygun pozisyonunu belirlemek için kullanılmayan bir parça veya gözükmeyen bir alan üzerinde birkaç deneme yapın.
3. Kavrama çok kısa süre sonra boşta dönmeye başlıyorsa torku istediğiniz kadar artırmak için bileziği ayarlayın.

## BAKIM

DEWALT elektrikli aletiniz uzun süre boyunca minimum bakımla çalışmak üzere tasarlanmıştır. Aletin uzun süre boyunca verimli bir şekilde çalışması, uygun bakımın ve düzenli temizliğin yapılmasına bağlıdır.



**UYARI: Ciddi yaralanma riskini azaltmak için herhangi bir ayar yapmadan veya ek parça ve aksesuarları çıkarmadan/takmadan önce aleti kapatın ve pil takımını çıkarın. Aletin yanlışlıkla çalışması yaralanmaya sebep olabilir.**

Şarj cihazına bakım yapılmaz. Şarj cihazı içinde kullanıcı tarafından bakımı yapılabilecek parça yoktur.



## Yağlama

Bu elektrikli aletin ilave yağlanmasına gerek yoktur.



## Temizleme



**UYARI: Havalandırma deliklerinde ve etrafında toz toplanması halinde bu tozu ve kiri kuru hava kullanarak ana gövdeden uzaklaştırın. Bu işlemi gerçekleştirirken onaylı bir göz koruması ve onaylı toz maskesi takın.**



**UYARI: Aletin metalik olmayan parçalarını temizlemek için asla çözücü veya başka sert kimyasal kullanmayın. Bu kimyasallar bu parçalarda kullanılan malzemeleri güçsüzleştirir. Yalnızca su ve yumuşak sabunla nemlendirilmiş bir bez kullanın. Aletin içine herhangi bir sıvının girmesine izin vermeyin; aletin herhangi bir parçasını bir sıvı içine daldırmayın.**

### ŞARJ CİHAZI TEMİZLEME TALIMATLARI



**UYARI: Şok tehlikesi. Temizlemeden önce şarj cihazının fişini AC prizinden çekin. Bir bez veya metalik olmayan yumuşak bir fırça kullanılarak, şarj cihazının dışındaki kir ve yağ çıkartılabilir. Su veya başka bir temizleme çözümü kullanmayın.**

## Opsiyonel aksesuarlar



**UYARI: DEWALT tarafından verilenlerin dışındaki aksesuarlar bu ürün üzerinde test edilmediğinden, söz konusu aksesuarların bu aletle birlikte kullanılması tehlikeli olabilir. Yaralanma riskini azaltmak için, bu aletle birlikte sadece DEWALT tarafından tavsiye edilen aksesuarlar kullanılmalıdır.**

Uygun aksesuarlarla ilgili daha fazla bilgi almak için satıcınızla görüşün.

## Çevrenin korunması



Ayrı toplama. Bu ürün normal evsel atıklarla birlikte imha edilmemelidir.

Herhangi bir zamanda DEWALT ürününüzü değiştirmek isterseniz ya da artık işinize yaramıyorsa, normal evsel atıklarla birlikte atmayın. Bu ürünü ayrı toplama için ayırın.



Kullanılmış ürünlerin ayrı toplanması ve paketlenmesi malzemelerin geri kazanım yoluyla tekrar kullanılmasını sağlamaktadır. Geri kazanılan malzemelerin tekrar kullanılması çevre kirliliğinin önlenmesine yardımcı olur ve ham madde talebini azaltır.

Yerel düzenlemeler kapsamında elektrikli ürünlerin evsel atıklardan ayrı olarak belediyenin atık sahalarında toplanması veya yeni bir ürün aldığınızda satıcı tarafından geri alınması öngörülebilir.

DEWALT, kullanma süreleri sona eren DEWALT ürünlerinin toplanması ve geri kazanımı için bir imkan sunmaktadır. Bu hizmetten yararlanmak için, lütfen ürününüzü bizim adımıza toplama işlemi yapan bir yetkili servise götürün.

Bu kılavuzda belirtilen adresteki yerel DEWALT ofisi ile irtibata geçerek size en yakın yetkili servisin yerini öğrenebilirsiniz. Alternatif olarak, yetkili DEWALT tamir acentelerinin listesi ve satış sonrası servis ve bağlantıların tam ayrıntıları İnternette [www.2helpU.com](http://www.2helpU.com) adresinde mevcuttur.



## Şarj Edilebilir Pil Takımı

Bu uzun ömürlü pil takımı, daha önce kolayca yapılan işlerde yeterince güç üretemeyecek duruma geldiğinde şarj edilmelidir. Pil takımının teknik ömrünün tamamlanmasından sonra, çevre unsuruna dikkat ederek imha işlemi yapın:

- Pil takımını tam olarak aşağıya doğru çekin ve aletten çıkarın.
- Li-Ion, NiCd ve NiMH piller geri dönüşümlüdür. Bunları satıcınıza veya bir yerel geri dönüşüm istasyonuna götürün. Toplanan pil takımları uygun biçimde yeniden değerlendirilecek veya imha edilecektir.

## GARANTİ

DEWALT ürünlerinin kalitesinden emindir ve bu yüzden profesyonel kullanıcılar için kanunlarda belirtilen taleplerin üstünde bir garanti sunmaktadır. Bu garanti metni bir ilave niteliğinde olup profesyonel bir kullanıcı olarak sahip olduğunuz sözleşmeden doğan haklara veya profesyonel olmayan, özel bir kullanıcı olarak sahip olduğunuz yasal haklara hiçbir şekilde zarar vermez. İşbu garanti Avrupa Birliği'ne üye ülkeler ile Avrupa Serbest Ticaret Bölgesi sınırları dahilinde geçerlidir.

### • 30 GÜNLÜK RİKSİZ MÜŞTERİ MEMNUNİYETİ GARANTİSİ •

Satın almış olduğunuz DEWALT ürünü, satın alma tarihinden itibaren 30 gün içerisinde, ilk denemenizde, performansı sizi tam olarak tatmin etmediyse, yetkili servise götürülüp; DEWALT Merkez Servis onayı ile değiştirilebilir veya gerekirse tamir edilir. Bu haktan yararlanmak için:

Ürünün satın alındığı şekliyle, orijinal tüm parçaları ile birlikte satın alındığı yere teslimi;

- Fatura ve garanti kartının ibrazı;
- Uygulamanın satın alım tarihi itibarıyla ilk 30 gün içerisinde gerçekleşmesi;
- Ürün performansının ilk uygulamadan sonra memnuniyetsizlik yaratması gerekmektedir.

Aksesuarlar ve garanti koşulları haricinde yedek parçalar dahil değildir.

### • ÜCRETSİZ BİR YILLIK SERVİS KONTRATI •

Yasal garanti süresi dahilinde tüm DEWALT ürünleri satın alma tarihinden itibaren bir yıl süreyle ücretsiz servis desteğine sahiptir. Sadece bir defaya mahsus olmak üzere ürününüz DEWALT Yetkili Servisinde işçilik bedeli alınmadan tamir edilir veya bakımı yapılır. Fatura ve garanti kartı ibrazı gerekmektedir.

Aksesuarlar ve garanti koşulları haricinde yedek parçalar dahil değildir.

### • BİR YIL TAM GARANTİ •

Sahip olduğunuz DEWALT ürünü satın alma tarihinden itibaren 12 ay içinde hatalı

malzeme veya işçilik nedeniyle bozulursa, DEWALT aşağıdaki şartlara uyulması koşuluyla ücretsiz olarak tüm kusurlu parçaların yenilenmesini veya -kendi inisiyatifine bağlı olarak- satın alınan ürünün değiştirilmesini garanti eder:

- Ürün hatalı kullanılmamıştır;
- Ürün yıpranmamış, hırpalanmamış ve aşınmamıştır;
- Yetkili olmayan kişilerce tamire çalışılmamıştır;
- Satın alma belgesi (fatura) ibraz edilmiştir;
- Ürün, tüm orijinal parçaları ile birlikte iade edilmiştir.

Şikayet veya talepleriniz için satıcınıza, DEWALT kataloğunda yer alan size en yakın yetkili DEWALT servisine veya bu kullanma kılavuzunda belirtilen adresten DEWALT ofisine başvurun. Yetkili DEWALT servislerinin listesi ve satış sonrası hizmetlerimizle ilgili tüm bilgiler İnternette [www.2helpU.com](http://www.2helpU.com) adresinde mevcuttur.

### Türkiye Distribütörü

**KALE HIRDAVAT VE MAKİNA A.Ş.**

**Defterdar Mah. Savaklar Cad. No. 15 34050**

**Edirnekapı Eyüp İstanbul**

**Tel: 0212 5335255**

**Fax: 0212 5335162**

**[www.kalesirketlergrubu.com](http://www.kalesirketlergrubu.com)**

# TÜRKÇE

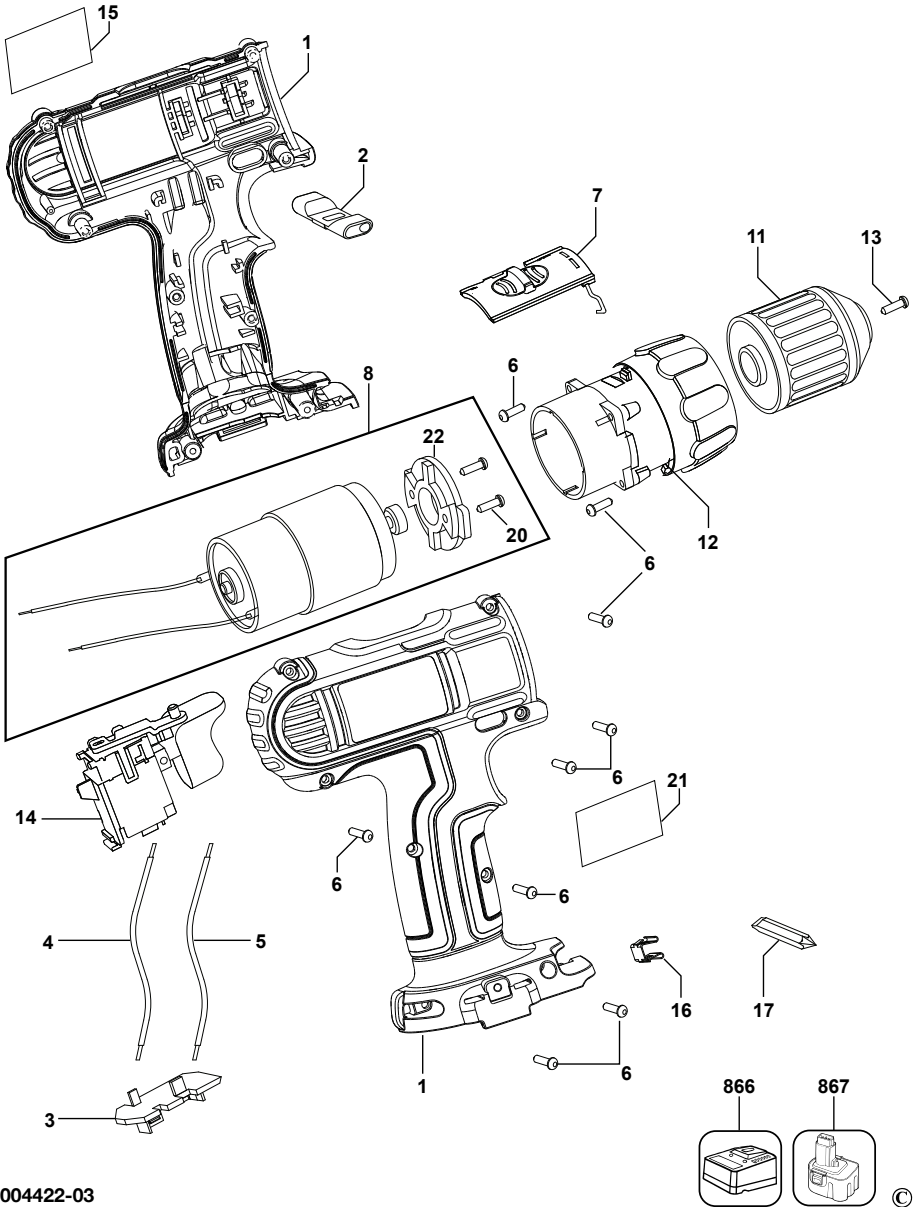
ŞEHİR	YETKİLİ SERVİS	ADRES	TELEFON
ADANA	EMİN ELEKTRİK BOBİNAJ	KIZILAY CAD. 9 SOK. NO: 9/D	0322 351 80 46
AFYON	EMEK MOTOR	HACI MAHMUT MAH. BÜYÜKDEMİRCİLER İÇİ NO: 22/A	0272 212 11 14
AĞRI	TAMGÜÇ BOBİNAJ	KAĞIZMAN CAD. NO: 42	0472 215 70 41
AMASYA	AKOTEK TİCARET	YENİ YOL CAD. NO: 85	0358 218 71 19
ANKARA	ORHAN BOBİNAJ	YALIÇ SOK. NO: 17 SİTELER	0312 350 95 29
ANKARA	ORHAN BOBİNAJ ŞUBE	41. SOK. NO: 39 OSTİM	0312 385 92 92
ANKARA	YİĞİT BOBİNAJ	668. SOK. NO: 8 EMİNEL KOOP. İVEDİK OSTİM	0312 395 05 37
ANKARA	BAŞAK ELEKTRİK	AHI EVRAN CAD. 36. SOK. NO: 2 OSTİM	0312 386 20 84
ANKARA	ANKARA ÇELİK HALAT	28. SOK. NO: 6 OSTİM	0312 385 73 05
ANTALYA	E.B.A ELEKTRİK	SAN. SİT. 682. SOK. NO: 38	0242 345 36 22
ANTALYA	YAŞAR BOBİNAJ	AŞAĞI PAZARCI MAH. SAN. GİRİŞİ NO: 19 MANAVGAT	0242 742 44 07
ANTALYA	USLU BOBİNAJ	G. PINARI MAH. OBA YOLU ÜZERİ NO: 27/C ALANYA	0242 511 57 01
AYDIN	TACIROĞLU KAYA BOBİNAJ	1. SAN. SİT. ÜST SAN. CAD. 2. SOK. NO: 31/A	0256 212 70 48
AYDIN	SAYDAM MOTOR	KÜÇÜK SAN. SİT. ÇUBUKÇU SOK. NO: 2/B SÖKE	0256 512 81 91
AYDIN	ÖZGÜR BOBİNAJ	DEĞİRMENDERE MAH. SAN. SİT. 9. SOK. NO: 15-17 KUŞADASI	0256 622 13 73
AYDIN	EGE BOBİNAJ	YENİ MAH. ATATÜRK BUL. NO: 206/E DIDİM	0256 811 05 95
BALIKESİR	TEZGER BOBİNAJ	YENİ SAN. SİT. CUMHURİYET CAD. 198/A	0266 246 23 01
BALIKESİR	KÜRE BOBİNAJ	ATATÜRK CAD. NO: 104 BANDIRMA	0266 718 46 79
BATMAN	TOPIZ BOBİNAJ	CUMHURİYET CAD. 1512 SOK. NO: 50	0488 214 87 70
BOLU	KILITÇI TİCARET	AŞAĞI SOKU SAN. SİT. 37. BLOK NO: 16	0374 215 43 64
BURSA	VOKART LTD. ŞTİ.	GAZCILAR CAD. ERİKLİ BAĞÇE SOK. NO: 7/B	0224 254 48 75
BURSA	VOKART LTD. ŞTİ. ŞUBE	BEŞEVLER KÜÇÜK SAN. SİT. ERTUĞRUL CAD. 13. SATIŞ BLOK NO: 19	0224 441 57 00
ÇANAĞKALE	KISACIK BOBİNAJ	NAMIK KEMAL MAH. KAYNAK SOK. NO: 41	0286 217 96 71
ÇANAĞKALE	OVALI BOBİNAJ	HAMDİ BEY MAH. İSTİKLAL CAD. NO: 160 BIGA	0286 316 49 66
ÇORUM	EMEK BOBİNAJ	KÜÇÜK SAN. SİT. 23. CAD. NO: 5/C	0364 234 68 84
DENİZLİ	ÖRSLER BOBİNAJ	SEDEF ÇARŞISI NO: 9/10	0258 261 42 74
DIYARBAKIR	ÇETSAN ELEKTRİK	SAN. SİT. KARAKOL SOK. NO: 1	0412 237 29 04
DÜZCE	MOTOR MEKANİK	SANAYİ ÇARŞISI TAHİR ALTIN SOK. NO: 27	0380 523 87 03
DÜZCE	YILDIZ MAKİNA	BURHANIYE MAH. GEN. KAZIM SOK. NO: 10	0380 514 70 56
EDİRNE	EFE BOBİNAJ	KÜÇÜK SAN. SİT. 22. BLOK	0284 225 35 73
EDİRNE	DEMİR BOBİNAJ	SAN. SİT. 7. BLOK NO: 3 KEŞAN	0284 714 38 26
ELAZIĞ	KALENDER ELEKTRİK BOBİNAJ	SAN. SİT. 11. SOK. NO: 46	0424 224 85 01
ERZİNCAN	ÜMIT ELEKTRİK MAKİNA	SAN. ÇARŞISI 770. SOK. NO: 71	0446 224 08 01
ERZURUM	ÜMIT TEKNİK	BAKIRCI MAH. BAKIRCI SOK. NO: 1	0442 235 05 72
ESKİŞEHİR	ESCOM ELEKTRONİK	KIRMIZI TOPRAK MAH. ALI FUAT GÜVEN CAD. NO: 31/A	0222 224 15 30
ESKİŞEHİR	ESCAN HIRDAVAT	FATİH MAH. PROF. DR. ORHAN OĞUZ CAD. NO: 44/B	0222 321 20 40
GAZİANTEP	ESER BOBİNAJ	K. S. S A BLOK 11. CAD. 25. ADA NO: 55 Ş. KAMİL	0342 235 30 84
GAZİANTEP	KARAŞAHİN BOBİNAJ	İSMET PAŞA MAH. ŞENYURT CAD. NO: 35	0342 231 17 33
HATAY	ÖZ KARDEŞ BOBİNAJ	YENİ SAN. SİT. 38/A BLOK NO: 34	0326 221 22 91
İSPARTA	İZMİR BOBİNAJ	YENİ SAN. SİT. 6 BLOK NO: 28	0246 223 70 11
İSTANBUL	AKEL EL. SERVİS HİZMETLERİ	NATO YOLU CAD. ÖZGÜN SOK. NO: 1 Y. DUDULLU	0216 540 53 55
İSTANBUL	BİRLİK ELEKTROMEKANİK	PERPA TİC. MER. B BLOK MAVİ AVLU KAT. 4 NO: 318 OKMEYDANI	0212 222 94 18
İSTANBUL	FIRAT DIŞ TİCARET	TERSANE CAD. KUTHAN NO: 38 KAT: 3 KARAKÖY	0212 252 93 43
İSTANBUL	KARDEŞLER BOBİNAJ	ÇAĞLAYAN MAH. KAĞITHANE CAD. NO: 47 ÇAĞLAYAN	0212 224 97 54
İSTANBUL	MERKEZ TEKNİK	MEHMET AKİF ERSOY MAH. ATATÜRK CAD. NO: 58/A SULTANBEYLİ	0216 419 24 34
İSTANBUL	MERT ELEKTRİK	İKİTELLİ ORG. DEMİRCİLER SAN. SİT. D/2 BLOK NO: 280 İKİTELLİ	0212 549 65 78
İSTANBUL	SVS TEKNİK	İSTASYON CAD. GIBTAŞ SAN. SİT. F BLOK NO: 24 TUZLA	0216 446 69 39
İSTANBUL	TARIK MAKİNA	BAĞDAT CAD. ADALI SOK. NO: 8 MALTEPE	0216 441 05 59
İSTANBUL	TEKNIKER BOBİNAJ	BİRLİK SAN. SİT. 7. CAD. NO: 2 BEYLİKDÜZÜ - BÜYÜKÇEKMECE	0212 875 17 78
İSTANBUL	ORJİNAL ELEKTRİK	BAĞLAR MAH. MİMAR SİNAN CAD. NO: 24 GÜNEŞLİ	0212 515 67 71
İSTANBUL	ALTİNOVA TEKNİK	EVLIYA ÇELEBİ MAH. RAUF ORBAY CAD. KELEBEK SOK. NO: 10/A TUZLA	0216 395 23 64
İSTANBUL	BUFAN MAKİNE	EVLIYA ÇELEBİ MAH. RAUF ORBAY CAD. TEKER SOK. NO: 28/A TUZLA	0216 494 50 54

İSTANBUL	ATM TİCARET	İKİTELLİ ORG. SANAYİ BÖLGESİ ATATÜRK BUL. NO: 68 KAT:1 İKİTELLİ	0212 549 77 02
İSTANBUL	GÜRSER OTO SAN.	AKŞEMSETTİN MAH. FATİH BUL. A. GAZI SOK. NO:3 SULTANBEYLİ	0216 487 33 31
İZMİR	BİRLİK BOBİNAJ	2824 SOK. NO: 18/1. SAN. SİT. HALKAPINAR	0232 458 39 42
İZMİR	BORO CIVATA	1203/2 SOK. NO: 21-B YENİŞEHİR	0232 469 80 70
İZMİR	ÇETİN BOBİNAJ	CÜNEYT BEY MAH. İBRAHİM TURAN CAD. NO 98/A MENDERES	0232 782 10 84
İZMİR	DORUK HIRDAVAT	1426 SOK. NO: 14 HURDACILAR SİTESİ DOĞANLAR BORNOVA	0232 478 14 12
İZMİR	YILMAZ TORÇ MAKİNE	KEMAL PAŞA CAD. 6153 SOK. NO: 3 D BLOK Z/2 İŞİKKENT	0232 436 41 76
KARAMAN	ÖZÜM ELEKTRİK BOBİNAJ	YENİ SAN. SİT. 735. SOK. NO: 2	0338 212 32 69
KASTAMONU	TEKNİK BOBİNAJ	İNÖNÜ MAH. İNEBOLU CAD. NO: 132	0366 212 62 26
KAYSERİ	AKIN ELEKTRİK BOBİNAJ	ESKİ SAN. BÖLGESİ 5. CAD. NO: 8	0352 336 41 23
KIRKLARELİ	TARİK ELEKTRONİK	K. İBRAHİM MAH. M. KEMAL BUL. NO: 72/C	0288 214 19 72
KIRKLARELİ	YALÇIN BOBİNAJ	YENİ SAN. SİT. C3 BLOK NO: 55 LÜLEBURGAZ	0288 412 41 97
KOCAELİ	EFE ELEKTRİK BOBİNAJ	KÖRFEZ SAN. SİT. 12. BLOK NO: 13	0262 335 18 94
KOCAELİ	GÜLSOY BOBİNAJ	S. ORHAN MAH. İLYAS BEY CAD. 1111 SOK. NO: 5/1 GEBZE	0262 646 92 49
KOCAELİ	TEKNİK KAROT	GAZİLER MAH. İBRAHİMAĞA CAD. NO: 125 GEBZE	0262 642 79 10
KONYA	MEB. MURAT ELK. BOBİNAJ	KARATAY SAN. SİT. FATİH MAH. ÇİÇEKLİ SOK. NO: 10	0332 235 64 63
KONYA	SÖZENLER BOBİNAJ	FEVZİ ÇAKMAK MAH. KOMSAN İŞ MERKEZİ ANAMUR 10562 SOK. NO: 8	0332 342 63 18
KÜTAHYA	DOĞAN BOBİNAJ	YENİ SAN. SİT. 19. SOK. NO: 28/1	0274 231 22 00
MALATYA	ÖZER BOBİNAJ	YENİ SAN. SİT. 2. CAD. NO: 95	0422 336 39 53
MANİSA	ÇAVUŞ BOBİNAJ	KURTULUŞ MAH. FATİH CAD. NO: 44/A SOMA	0236 614 13 78
MANİSA	USLU BOBİNAJ VE MAKİNA	GÜZELYURT MAH. KENAN EVREN SAN. SİT. 5309 SOK. NO: 63/A	0236 236 33 86
MERSİN	ŞEKERLER ELEKTRİK BOBİNAJ	NUSRATİYE MAH. 5005 SOK. NO: 20/A	0324 336 70 98
MERSİN	ÜNİVERSAL BOBİNAJ	NUSRATİYE MAH. ÇİFTÇİLER CAD. 68 SOK. NO: 19	0324 233 44 29
MUĞLA	ÖZŞEKER BOBİNAJ	SAN. SİT. DEMİRÖZ SOK. NO: 2 BODRUM	0252 313 11 02
MUĞLA	GENERAL ELEKTRİK BOBİNAJ	TAŞYAKA MAH. SAN. SİT. 260 SOK. NO: 18 FETHİYE	0252 612 38 34
MUĞLA	BAŞARAN TEKNİK	BELDİBİ CAD. SANAYİ GİRİŞİ NO: 5/C MARMARIS	0252 419 20 29
MUĞLA	ÖZTÜRK BOBİNAJ	ATAKENT MAH. ÇEVREYOLU ÜZERİ DALAMAN	0252 697 64 98
NEVŞEHİR	ÇİFTGÜÇ SOĞUTMA	YENİ SAN. SİT. 8. BLOK NO: 28	0384 213 19 96
NİĞDE	EMEK MOTOR	ESKİ SAN. ÇARŞISI 1. BLOK NO: 2	0388 232 83 59
SAKARYA	ENGİN ELEKTRİK BOBİNAJ	MALTEPE MAH. ORHAN GAZİ CAD. ŞEHİT METİN AKKUŞ SOK. NO: 19	0264 291 05 67
SAMSUN	AKIŞ BOBİNAJ	ULUS CAD. SAN. SİT. KERESTECİLER KISIMI NO: 40	0362 238 07 23
SİVAS	BAYRAKTAR ELEKTRİK	YENİ ÇARŞI NO: 72/C	0346 221 47 55
ŞANLIURFA	AY ELEKTRİK	SAMSAT KAPI AVŞAROĞLU GARAJI NO: 19	0414 215 74 76
TEKİRDAĞ	BIRKAN TEKNİK	ŞEYHİNAN MAH. Ş. PİLOT İ. AKSOY SOK. AKSOY PASAJI NO: 20/7-B ÇORLU	0282 654 50 91
TEKİRDAĞ	ÇETİN ELEKTRİK BOBİNAJ	100. YIL SAN. SİT. 14B BLOK NO: 10	0282 263 86 60
TOKAT	ÇETİN ELEKTRİK BOBİNAJ	SAN. SİT. CAMII ALTI NO: 22	0356 214 63 07
TRABZON	AKÇAY BOBİNAJ MAKİNA	YAYLACIK MAH. TOSUN SAN SİT NO: 3 AKÇAABAT	0462 227 54 26
TRABZON	MAKİNA MARKET	RİZE CAD. NO: 71 DEĞİRMENDERE	0462 328 14 80
UŞAK	ZENGİN BOBİNAJ	İSLİCE MAH. ÜREM SOK. NO: 10/C	0276 227 27 46
VAN	ÖZEN ELEKTRİK BOBİNAJ	ALÇEKİÇ PASAJI NO: 41	0432 214 22 20
YALOVA	DENİZ EL. SER. HİZMETLERİ	HÜRRİYET MAH. ESKİ BURSA CAD. NO: 39 ALTINOVA	0226 461 22 43
YALOVA	ERTURAN İNŞ. LTD.	HÜRRİYET MAH. 2. SOK. NO: 25 ALTINOVA	0226 461 25 55
ZONGULDAK	GENEL ELEKTROMOTOR	ÇINARTEPE MAH. T. T. K 69 AMBARLARI 4. KISIM	0372 268 08 64
ZONGULDAK	TÜMEN MAKİNA	KIŞLA SANAYİ SİT. D BLOK NO: 17 KDZ. EREĞLİ	0372 323 74 97
ZONGULDAK	AYTEKİN ELEKTRİK	KIŞLA SAN. SİT. I BLOK NO: 24 KDZ. EREĞLİ	0372 316 39 71

**DEWALT**

**DC733**

TYP.  
1



1004422-03

E15479

[www.2helpU.com](http://www.2helpU.com)

11 - 09 - 08

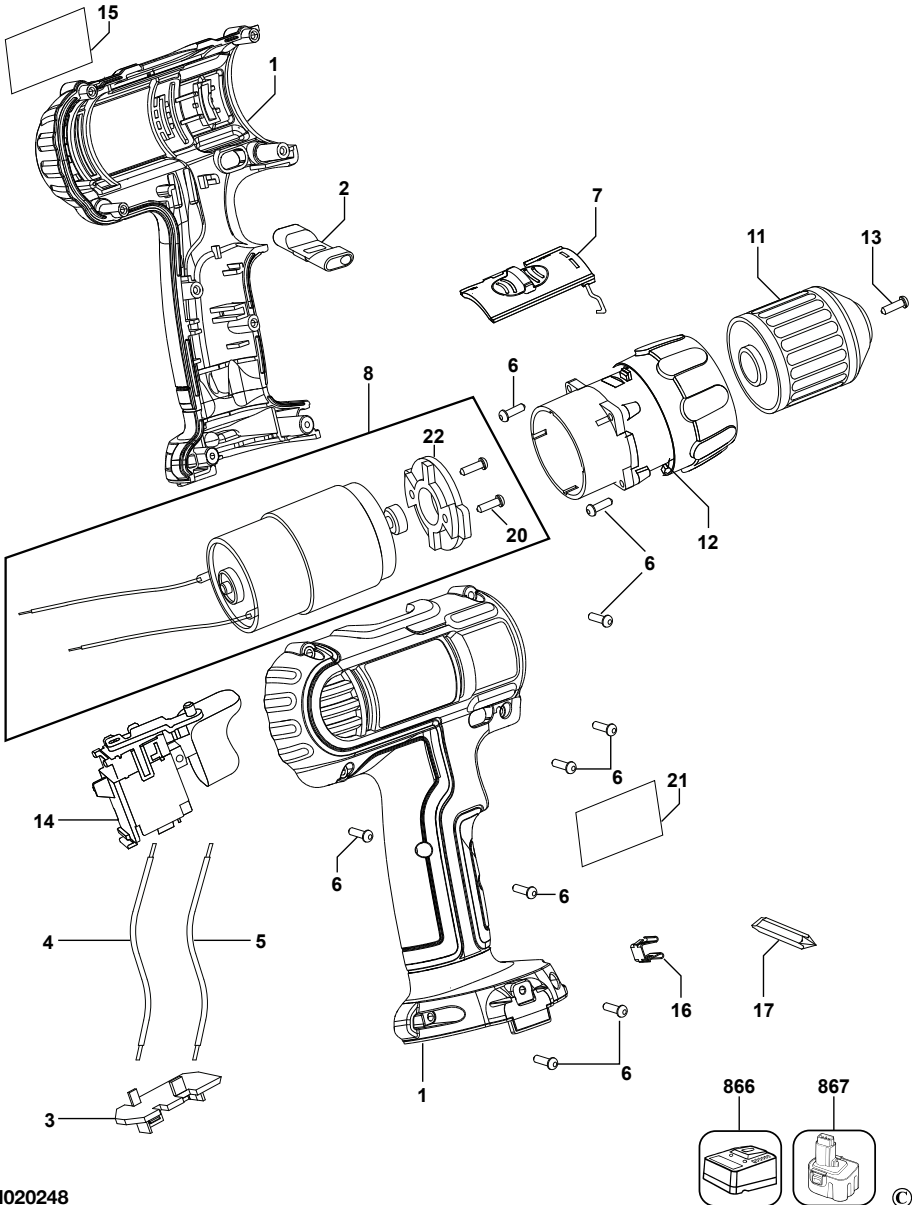
©



# DEWALT

## DC740 - DC750

TYP.  
3



N020248

E15539

[www.2helpU.com](http://www.2helpU.com)

866

867



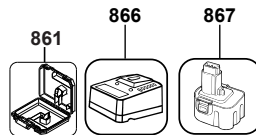
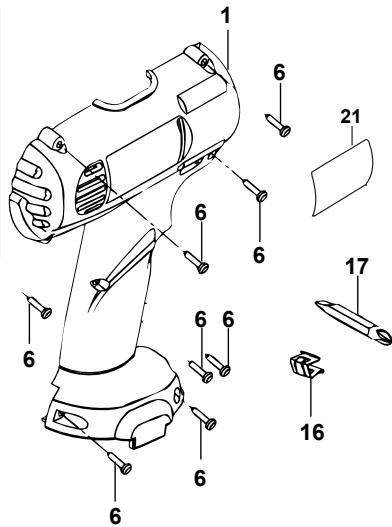
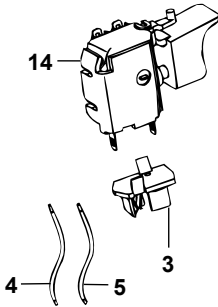
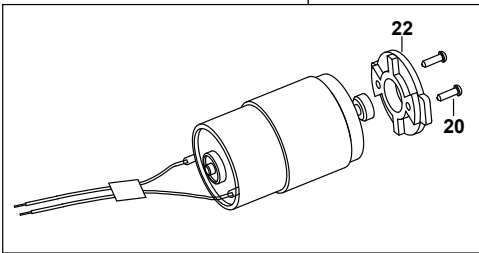
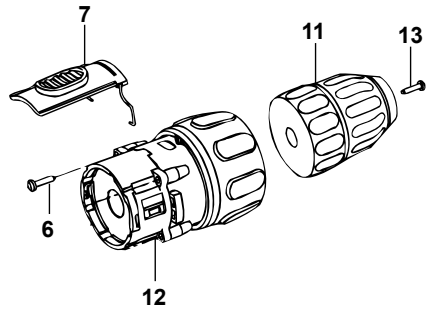
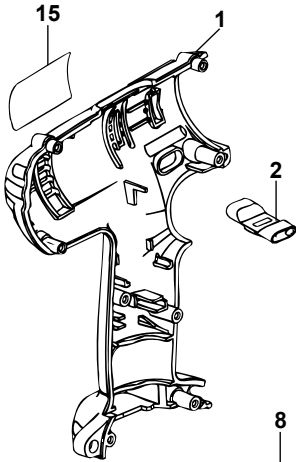
©

11 - 11 - 08

# DEWALT

## DW907

TYP.  
3



E16718 - N185762

[www.2helpU.com](http://www.2helpU.com)

06 - 07 - 2012

©