
DEWALT®

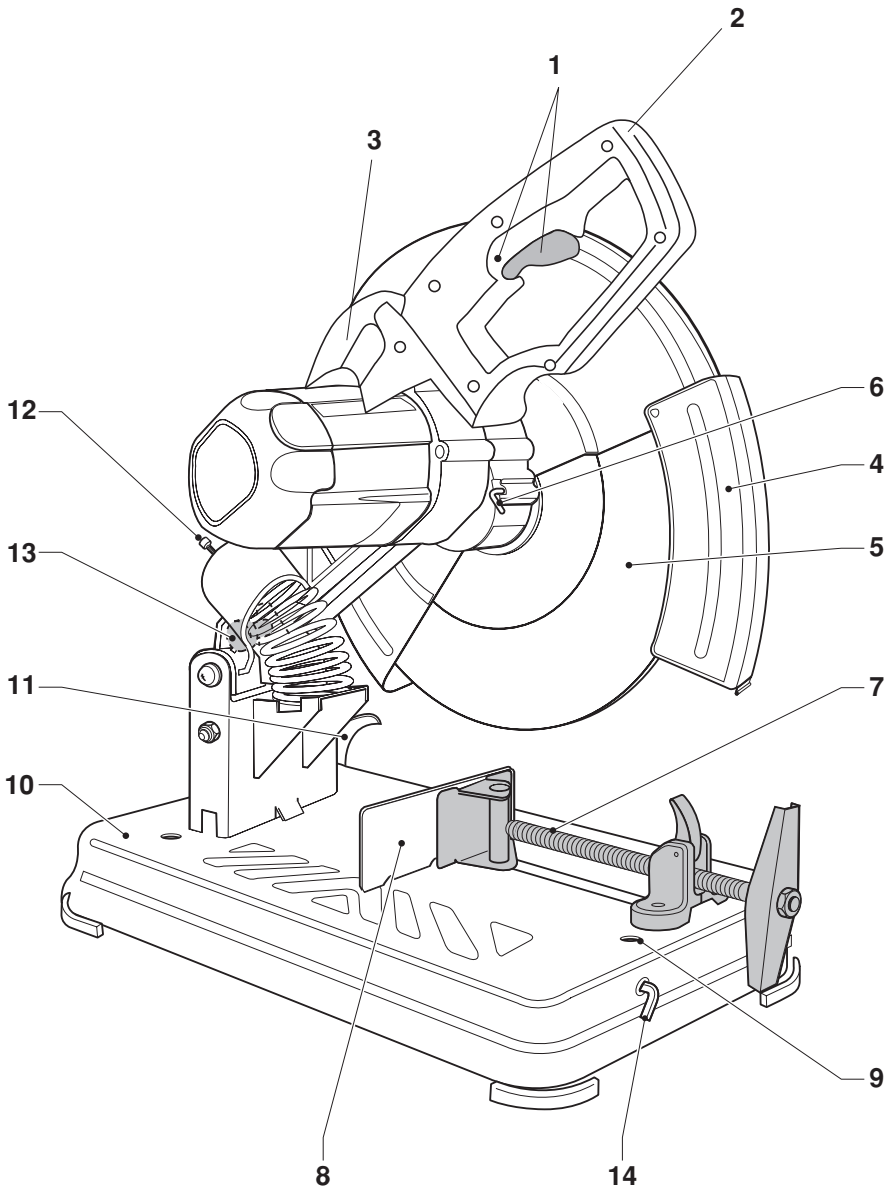
D28700

English	7
----------------	----------

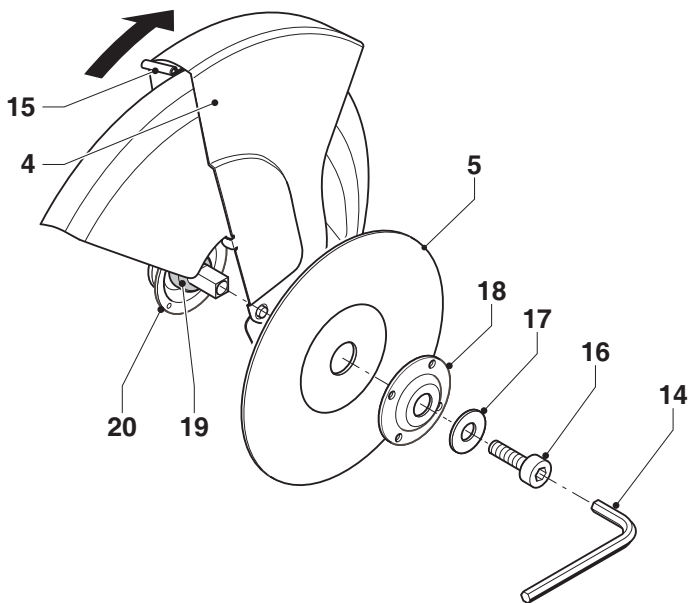
Korean	14
---------------	-----------

Chinese	21
----------------	-----------

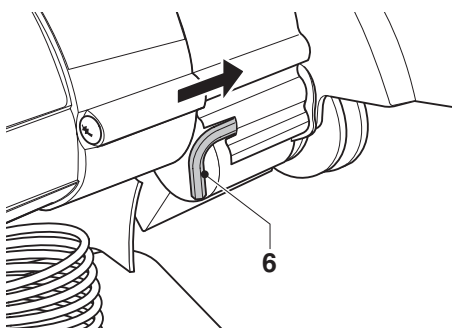
Thai	28
-------------	-----------



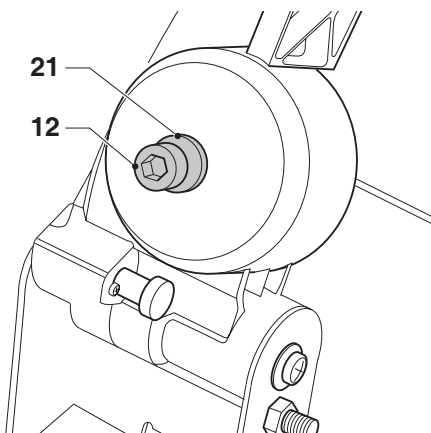
A



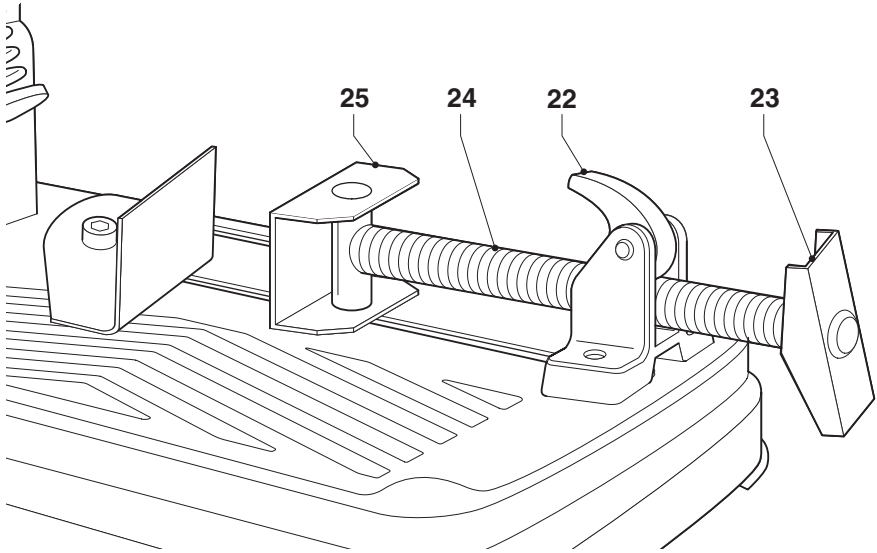
B1



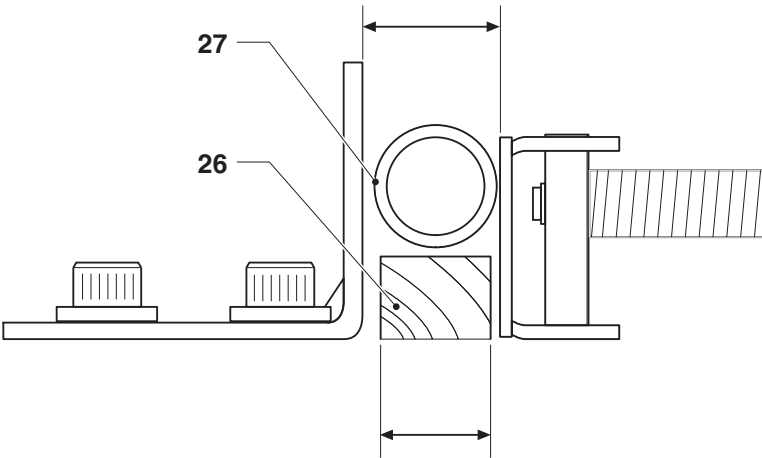
B2



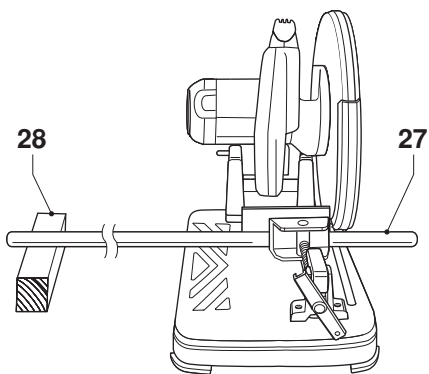
B3



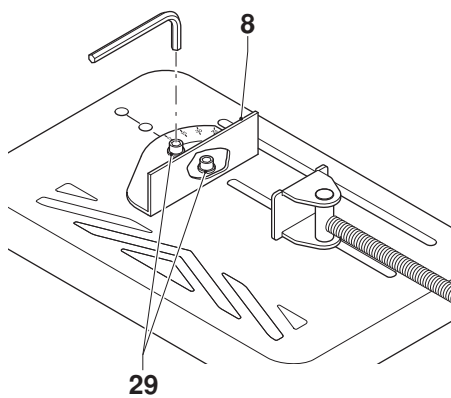
C1



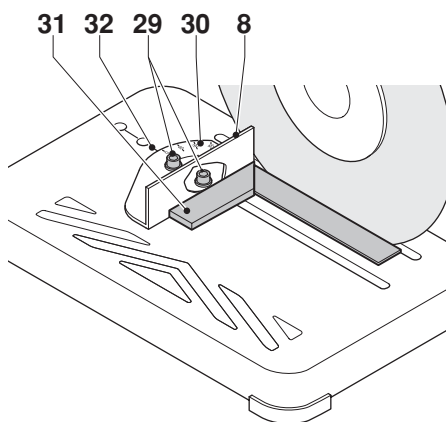
C2



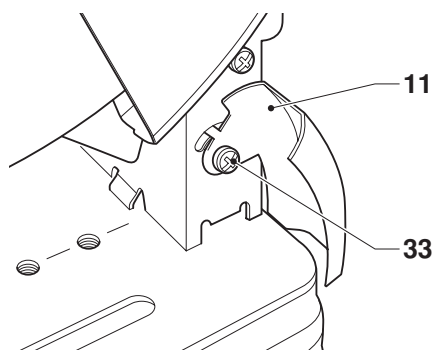
C3



C4



D



E

CHOPSAW D28700

Congratulations!

You have chosen a DeWALT tool. Years of experience, thorough product development and innovation make DeWALT one of the most reliable partners for professional power tool users.

Technical data

	D28700
Voltage	V 220-240
Power input	W 2,200
No-load speed	min ⁻¹ 3,800
Min. peripheral speed cutting disc	m/s 80
Disc diameter	mm 355
Disc bore	mm 25.4
Disc body thickness	mm 2.66
Type of cutting disc	straight, non-recessed
Cross-cutting capacity at 90°	
circular	mm 115
square	mm 119 x 119
rectangular	mm 115 x 130
angular	mm 137 x 137
Cross-cutting capacity at 45°	
circular	mm 98
square	mm 98 x 98
rectangular	mm 115 x 98
angular	mm 98 x 98
Weight	kg 18

The following symbols are used throughout this manual:



Denotes risk of personal injury, loss of life or damage to the tool in case of non-observance of the instructions in this manual.



Denotes risk of electric shock.



Fire hazard.

EC-Declaration of conformity



D28700

DeWALT declares that these power tools have been designed in compliance with: 98/37/EEC, 89/336/EEC, 73/23/EEC, 86/188/EEC, EN 55014-2, EN 61029, EN 55014, EN 61000-3-2 & EN 61000-3-3.

For more information, please contact DeWALT at the address below, or refer to the back of the manual.

	D28700
L _{PA} (sound pressure)	dB(A) 98.5
L _{WA} (acoustic power)	dB(A) 107
Weighted RMS acceleration value	m/s ² 4.3
K _{PA} (sound pressure uncertainty)	dB(A) 2.8
K _{WA} (acoustic power uncertainty)	dB(A) 2.8

Director Engineering and Product Development
Horst Großmann

DeWALT, Richard-Klinger-Straße 11
D-65510, Idstein, Germany

Safety instructions

When using power tools, always observe the safety regulations applicable in your country to reduce the risk of fire, electric shock and personal injury.

Read all of this manual carefully before operating the tool. Save this manual for future reference.

General

1 Keep work area clean

Cluttered areas and benches can cause accidents.

2 Consider work area environment

Do not expose the tool to rain. Do not use the tool in damp or wet conditions. Keep the work area well lit (250 - 300 Lux). Do not use the tool where there is a risk of causing fire or explosion, e.g. in the presence of flammable liquids and gases.

3 Keep children away

Do not allow children, visitors or animals to come near the work area or to touch the tool or the mains cable.

4 Dress properly

Do not wear loose clothing or jewellery, as these can be caught in moving parts. Wear protective hair covering to keep long hair out of the way. When working outdoors, preferably wear suitable gloves and non-slip footwear.

5 Personal protection

Always use safety glasses. Use a face or dust mask whenever the operations may produce dust or flying particles. If these particles might be considerably hot, also wear a heat-resistant apron. Wear ear protection at all times. Wear a safety helmet at all times.

6 Guard against electric shock

Prevent body contact with earthed surfaces (e.g. pipes, radiators, cookers and refrigerators). When using the tool under extreme conditions (e.g. high humidity, when metal swarf is being produced, etc.), electric safety can be improved by inserting an isolating transformer or a (FI) earth-leakage circuit-breaker.

7 Do not overreach

Keep proper footing and balance at all times.

8 Stay alert

Watch what you are doing. Use common sense. Do not operate the tool when you are tired.

9 Secure workpiece

Use clamps or a vice to hold the workpiece. It is safer and it frees both hands to operate the tool.

10 Connect dust extraction equipment

If devices are provided for the connection of dust extraction and collection facilities, ensure that these are connected and properly used.

11 Remove adjusting keys and wrenches

Always check that adjusting keys and wrenches are removed from the tool before operating the tool.

12 Extension cables

Before use, inspect the extension cable and replace if damaged. When using the tool outdoors, only use extension cables intended for outdoor use and marked accordingly.

13 Use appropriate tool

The intended use is described in this instruction manual. Do not force small tools or attachments to do the job of a heavy-duty tool. The tool will do the job better and safer at the rate for which it was intended. Do not force the tool.

Warning! The use of any accessory or attachment or performance of any operation with this tool other than those recommended in this instruction manual may present a risk of personal injury.

14 Check for damaged parts

Before use, carefully check the tool and mains cable for damage. Check for misalignment and seizure of moving parts, breakage of parts, damage to guards and switches and any other conditions that may affect its operation. Ensure that the tool will operate properly and perform its intended function. Do not use the tool if any part is damaged or defective. Do not use the tool if the switch does not turn it on and off. Have any damaged or defective parts replaced by an authorised DeWALT repair agent. Never attempt any repairs yourself.

15 Unplug tool

Switch off and wait for the tool to come to a complete standstill before leaving it unattended. Unplug the tool when not in use, before changing any parts of the tools, accessories or attachments and before servicing.

16 Avoid unintentional starting

Do not carry the tool with a finger on the switch. Be sure that the tool is switched off before plugging in.

17 Do not abuse cord

Never carry the tool by its cord. Never pull the cord to disconnect from the socket. Keep the cord away from heat, oil and sharp edges.

18 Store idle tools

When not in use, tools must be stored in a dry place and locked up securely, out of reach of children.

19 Maintain tools with care

Keep the tools in good condition and clean for better and safer performance. Follow the instructions for maintenance and changing accessories. Keep all handles and switches dry, clean and free from oil and grease.

20 Repairs

This tool is in accordance with the relevant safety regulations. Have your tool repaired by an authorised DeWALT repair agent. Repairs should only be carried out by qualified persons using original spare parts; otherwise this may result in considerable danger to the user.

Additional safety instructions for chopsaws

- Always wear regular working gloves while operating this tool.
- Keep hands away from the cutting disc. Never cut workpieces that require manual action closer than 15 cm from the rotating cutting disc.
- Do not cut workpieces less than 1.2 mm in thickness when using the cutting disc supplied with this tool.
- Do not operate this tool without guards in place.
- Do not perform any operation freehand. Use the material clamp to clamp the workpiece securely.
- Never reach in the back of the cutting disc.
- Always position the tool on a flat, stable surface that is well maintained and free of loose materials, e.g. chips and cut-offs.
- Before using, inspect the cutting disc for cracks or flaws. Discard the cutting disc if a crack or flaw is evident.
- Make sure the cutting disc is not contacting the workpiece before the tool is switched on.
- In operation, avoid bouncing the cutting disc or giving it rough treatment. If this occurs, stop the tool and inspect the cutting disc.
- Do not operate the tool while standing in line with the cutting disc. Keep other persons away from the work area.
- Be aware of cutting chips and the material being cut. They may be sharp and hot. Allow cut off parts to cool before handling.
- The spark deflector becomes hot during use. Avoid touching or adjusting the spark deflector immediately after operation.
- Switch off the tool and wait for the cutting disc to stop before moving the workpiece or changing the settings.
- After switching off, never attempt to stop the cutting disc by pressing against the side of the disc.
- Do not use cutting fluids. These fluids could ignite or cause electrical shock.
- Check that the workpiece is properly supported.
- Use the cutting discs recommended by the manufacturer only. Never use circular saw blades or any other types of toothed blades.
- The max. allowable speed of the cutting disc must always be equal to or greater than the no-load speed of the tool specified on the nameplate.
- Do not use cutting discs that do not conform to the dimensions stated in the technical data.
- Ensure that the cutting disc is mounted correctly before use.
- Let the tool run at no-load in a safe position for at least 30 seconds. If there is a considerable vibration or if any other defect occurs, stop the tool and check it to determine the cause.
- Do not use cutting discs for side grinding.
- Do not cut concrete, brick, tile or ceramic materials.
- Do not cut wood, plastic or synthetic materials.
- Do not cut cast-iron materials.
- Never cut magnesium materials.
- Do not cut electrically live material.
- Use this tool in a well-ventilated area. Do not operate the tool near flammable liquids, gases or dust. Sparks or hot chips from cutting or arcing motor brushes may ignite combustible materials.
- Regularly clear the ventilation slots when working in dusty conditions. If it should become necessary to clean the slots, remember to unplug the tool first.
- Always store cutting discs well-protected and in a dry place, out of reach of children.
- **Warning!** Use of this tool can generate dust containing chemicals known to cause cancer, birth defects or other reproductive harm. Use appropriate respiratory protection.

The following factors are of influence to noise production:

- the material to be cut
- the type of the cutting disc
- the feed force



Take appropriate measures for the protection of hearing.

Residual risks

The following risks are inherent to the use of these machines:

- injuries caused by touching the rotating parts
- injuries caused by disruption of the cutting disc

These risks are most evident:

- within the range of operation
- within the range of the rotating machine parts

In spite of the application of the relevant safety regulations and the implementation of safety devices, certain residual risks cannot be avoided.

These are:

- Impairment of hearing.
- Risk of accidents caused by the uncovered parts of the rotating cutting disc.
- Risk of injury when changing the disc.
- Risk of squeezing fingers when opening the guards.

Package contents

The package contains:

- 1 Chopsaw
- 1 Cutting disc
- 1 Allen key
- 1 Instruction manual
- 1 Warranty card
- 1 Service Address card

- Check for damage to the tool, parts or accessories which may have occurred during transport.
- Take the time to thoroughly read and understand this manual prior to operation.

Description (fig. A)

Your D28700 chopsaw has been designed for the cutting of variously shaped steel materials.

- 1 On/off switch
- 2 Operating handle

- 3 Carrying handle
- 4 Guard
- 5 Cutting disc
- 6 Spindle lock
- 7 Material clamp
- 8 Fence
- 9 Mounting holes
- 10 Cutting table
- 11 Spark deflector
- 12 Depth stop
- 13 Lock-down pin
- 14 Allen key

Electrical safety

The electric motor has been designed for one voltage only. Always check that the power supply corresponds to the voltage on the rating plate.



Your tool is double insulated in accordance with EN 61029; therefore no earth wire is required.

Using an extension cable

If an extension cable is required, use an approved extension cable suitable for the power input of this tool (see technical data).

The minimum conductor size is 1.5 mm².

When using a cable reel, always unwind the cable completely. Also refer to the table below.

Conductor size (mm ²)	Cable rating (Amperes)
0.75	6
1.00	10
1.50	15
2.50	20
4.00	25

		Cable length (m)					
		7.5	15	25	30	45	60
Voltage	Amperes	Cable rating (Amperes)					
115	- 02.0	6	6	6	6	6	10
	2.1 - 3.4	6	6	6	6	15	15
	3.5 - 5.0	6	6	10	15	20	20
	5.1 - 7.0	10	10	15	20	20	25
	7.1 - 12.0	15	15	20	25	25	-
	12.1 - 20.0	20	20	25	-	-	-

Voltage	Amperes	Cable rating (Amperes)					
230	0 - 2.0	6	6	6	6	6	6
	2.1 - 3.4	6	6	6	6	6	6
	3.5 - 5.0	6	6	6	6	10	15
	5.1 - 7.0	10	10	10	10	15	15
230	7.1 - 12.0	15	15	15	15	20	20
	12.1 - 20.0	20	20	20	20	25	-

Connecting to the mains

The mains supply to be used for this machine must be equipped with a 16 A cut-out fuse with time delay.

Voltage drops

Inrush currents cause short-time voltage drops. Under unfavourable power supply conditions, other equipment may be affected.

If the system impedance of the power supply is lower than 0.25Ω , disturbances are unlikely to occur.

Assembly and adjustment



Prior to assembly and adjustment always unplug the tool.

Bench mounting (fig. A)

Mounting holes (9) have been provided to facilitate bench mounting.

Removing and fitting a cutting disc (fig. B1 - B3)

- With the arm in the rest position, use the lip (15) to slide the guard (4) back. Leave the guard retracted (fig. B1).
- Press and hold down the spindle lock (6) (fig. B2).
- Rotate the cutting disc (5) until it locks.
- Using the Allen key (14), remove the bolt (16) by turning counterclockwise and then remove the flat washer (17) and the retaining flange (18) (fig. B2).
- Check that the spacer (19) is in place against the flange (20).
- Replace the cutting disc (5). Make sure that the new disc is placed onto the spacer (19) in the correct rotational direction.
- Secure the blade with the retaining flange (18), the flat washer (17) and the bolt (16).
- Move the guard back down and release the spindle lock (6).
- Adjust the cutting depth as necessary (fig. B3).

Adjusting the cutting depth (fig. B3)

The cutting depth can be adjusted to meet the wear of the cutting disc.

- Make a dry run with the tool switched off and check for clearance.
- If adjustment is required, proceed as follows:
- Loosen the lock nut (21) a few turns.
- Turn the depth stop bolt (12) in or out as to achieve the required cutting depth.
- Tighten the lock nut (21).



Always adjust the depth stop to its original position when replacing the cutting disc.

Clamping the workpiece in position (fig. A & C1 - C4)

The tool is equipped with a material clamp (6) (fig. A).

- Pull the lever (22) toward the handle (23) (fig. C1).
- Push the clamp shaft (24) forward until the jaw (25) is almost touching the workpiece.
- Press the lever (22) toward the jaw (25) until it engages with the clamp shaft (24).
- Rotate the handle (23) clockwise and clamp the workpiece securely.
- To release the workpiece, rotate the handle (23) counterclockwise.



- To increase the cutting capacity, place a spacer block (26) under the workpiece (27). The spacer block should be slightly narrower than the workpiece (fig. C2).
- Support long workpieces using a piece of wood (28) (fig. C3). Do not clamp the cut off end (27).

Quick travel feature (fig. C1)

The clamp has a quick travel feature.

- To release the clamp, rotate the handle (23) one or two turns counterclockwise and pull the lever (22) toward the handle (23).

Setting the clamping position (fig. C4)

The clamping position can be set to match the cutting disc.

- Remove the fence bolts (29) using the Allen key (14).
- Move the fence (8) as required.
- Re-fit the fence bolts (29) and tighten them to lock the fence (8).

Adjusting the angle of cut (fig. D)

The tool can be used for mitre cuts up to 45°.

- Loosen the fence bolts (29) to release the fence (8).
- Set the fence (8) to the required angle. The angle can be read on the scale (30).
- Tighten the fence bolts (29) to lock the fence (8).

Checking and adjusting the mitre scale (fig. A & D)

- Loosen the fence bolts (29) to release the fence (8) (fig. D).
- Pull down the arm and lock it in this position by pushing in the lock-down pin (13) (fig. A).
- Place a square (31) against the fence (8) and the left side of the cutting disc creating a perfect 90° (fig. D). Check that the 0° marking on the scale (30) aligns with the marking on the table (31).
- Tighten the fence bolts (29) to lock the fence (8).
- Pull out the lock-down pin (13) and return the arm to its upper rest position (fig. A).

Adjusting the spark deflector (fig. E)

- Loosen the screw (32).
- Set the spark deflector (11) as appropriate.
- Tighten the screw (32).

Instructions for use



- Always observe the safety instructions and applicable regulations.
- Do not apply excessive pressure to the tool.
- Avoid overloading. Should the tool become hot, let it run a few minutes under no load condition.

Prior to operation:

- Install the appropriate cutting disc. Do not use excessively worn discs. The maximum rotation speed of the tool must not exceed that of the cutting disc.
- Make sure the disc rotates in the direction of the arrows on the accessory and the tool.
- Secure the workpiece.
- Always set the spark deflector correctly.

Performing a cut (fig. A)

- Place the material to be cut against the fence (8) and secure using the material clamp (7).
- Switch on the tool and pull down the control handle (2) to cut the workpiece. Allow the motor to reach full speed before cutting.
- Allow the disc to cut freely. Do not force.
- After completing the cut, switch off the tool and return the arm to its upper rest position.

Switching on and off (fig. A)

The on/off switch (1) is mounted in the operating handle (2).

- To run the tool, press the on/off switch (1).
- Keep the on/off switch depressed while performing the operation.
- To stop the tool, release the switch.



Do not switch the tool on or off when under load.



Do not cut magnesium.

Consult your dealer for further information on the appropriate accessories.

Transporting (fig. A)

The tool is equipped with a lock-down pin (13) which locks the tool in closed-down position for carrying.

- Lower the guard (4) onto the cutting table (10) and secure the tool in this position by pushing in the lock-down pin (13).
- Transport the tool using the carrying handle (3).
- To release the tool, depress the operating handle slightly and pull out the lock-down pin (13).

Maintenance

Your DEWALT power tool has been designed to operate over a long period of time with a minimum of maintenance. Continuous satisfactory operation depends upon proper tool care and regular cleaning.



Lubrication

Your power tool requires no additional lubrication.



Cleaning

Keep the ventilation slots clear and regularly clean the housing with a soft cloth.

Protecting the environment



Separate collection. This product must not be disposed of with normal household waste.

Should you find one day that your DEWALT product needs replacement, or if it is of no further use to you, do not dispose of it with household waste. Make this product available for separate collection.



Separate collection of used products and packaging allows materials to be recycled and used again. Re-use of recycled materials helps prevent environmental pollution and reduces the demand for raw materials.

Local regulations may provide for separate collection of electrical products from the household, at municipal waste sites or by the retailer when you purchase a new product.

DEWALT provides a facility for the collection and recycling of DEWALT products once they have reached the end of their working life. To take advantage of this service please return your product to any authorised repair agent who will collect them on our behalf.

You can check the location of your nearest authorised repair agent by contacting your local DEWALT office at the address indicated in this manual. Alternatively, a list of authorised DEWALT repair agents and full details of our after-sales service and contacts are available on the Internet at: www.2helpU.com

고속절단기 D28700

축하드립니다!

귀하께서는 “디월트” 제품을 선택하셨습니다. 수년간의 사업경험을 통한 제품개발과 혁신능력은 디월트를 전 세계 공구 전문 사용자들에게 가장 신뢰할수 있는 동반자로 만들었습니다.

기술 자료

D28700		
전압	V	220
소비전력	W	2,200
무부하회전수	min ⁻¹	3,800
최대선속도	m/s	80
절단지석 직경	mm	355
절단지석 내경	mm	25.4
절단지석 두께	mm	2.66
절단지석 유형	직선, 오프셋이 없는 형태	
90 도 크로스 커팅기능		
원형	mm	115
정방형	mm	119 x 119
장방형	mm	115 x 130
삼각형	mm	137 x 137
45 도 크로스 커팅기능		
원형	mm	98
정방형	mm	98 x 98
장방형	mm	115 x 98
삼각형	mm	98 x 98
무게	kg	18

다음은 본설명서에서 사용되는 기호입니다.



본 설명서의 안전 사항을 지키지 않을 경우 신체상해, 사망, 혹은 제품 손상이 발생할 가능성이 있음을 표시합니다.



감전 위험이 있음을 표시합니다.



화재 위험을 표시합니다.

본 제품은 EC 표준을 준수합니다.



D28700

디월트 전동공구의 설계는 아래 각 표준에 부합됩니다. 98/37/EEC, 89/336/EEC, 73/23/EEC, EN50144, EN50144-2 EN55014-1, EN61000-3-2-8 & EN61000-3-3

더 필요한 정보는 아래 주소의 디월트나 사용설명서 뒷면의 주소로 연락하십시오.

D28700		
L _{PA} (음압)	dB(A)	98.5
L _{WA} (음출력)	dB(A)	107
가중 RMS 가속도	m/s ²	4.3
K _{PA} (분확정음압)		
	dB(A)	2.8
K _{PA} (분확정음출력)		
	dB(A)	2.8

엔지니어링 및 제품개발 담당자

Horst Großmann

DEWALT, Richard-Klinger-Straße 11

D-65510, Idstein, 독일

안전지침

전동공구를 사용할 경우, 화재, 감전, 신체상해 및 제품손상을 일으킬수 있는 위험을 줄이기위해 각국가에서 적용되는 안전법규를 항상 준수하십시오. 제품을 조작하기 전, 본 설명서를 상세히 읽으십시오. 본 설명서를 잘 보관하여 수시로 참조할 수 있도록 하십시오.

일반수칙

1 작업장의 청결을 유지합니다.

작업지역과 작업장이 어지럽혀져 있으면 사고가 일어나기 쉽습니다.

2 작업지역의 환경을 고려합니다.

제품을 비바람에 노출하거나 습한 환경에서 사용해서는 않됩니다. 작업장의 조명을 유지하십시오. (250-300 럭스).화재나 폭발사고가 일어나기 쉬운 환경에서 (주위에 불에 잘 타는 액체나 기체가 존재하는 경우) 전동공구를 사용해서는 않됩니다.

3 작업장에 어린이가 출입하지 않도록 합니다.

어린이, 견학자, 동물을 작업장에 출입시키거나 전동공구 혹은 전기공급회로에 만지도록해서는 않됩니다.

4 옷차림은 간편하게 합니다.

헐렁한 옷을 입거나 장식품을 달면 작업중의 작동부품에 걸릴 수가 있습니다. 작업용 모자를 써서 머리카락이 풀어 헤치는 것을 방지해야합니다. 실외에서 작업할 경우 적합한 장갑을 끼고 미끄럽지 않은 신을 신어야 합니다.

5 몸의 보호

항상 보안경을 써야 합니다. 만약 조작중에 먼지나 미립자가 될 가능성이 있으면 안면 마스크나 방진 마스크를 착용해야 합니다. 분진의 온도가 너무 높으면 방열에이프런을 입어야 합니다. 항상 안전모와 귀마개를 써야 합니다.

6 전기감전 방지

신체를 접지한 표면과 접촉시켜서는 않됩니다.(예를 들면 파이프, 방열기, 취사도구 및 냉장고). 극한상황(습도가 너무 높거나 작업과정에서 금속분진이 생기는 등)하에 전동공구를 사용할 경우에는 절연면압기 혹은(F1) 접지 전기차단기를 사용하면 전기안전이 향상됩니다.

7 신체평형을 유지합니다.

항상 똑바로 서서 신체평형을 유지합니다.

8 항상 주의하십시오.

작업과정에 집중하고 올바른 방법을 사용하십시오. 피곤할 때는 전동공구를 사용해서는 않됩니다.

9 부품을 확실하게 고정시켜 주십시오.

클램프나 바이스로 부품을 고정시키면 더욱 안전할뿐만아니라, 두 손으로 동시에 전동공구를 조작할 수 있습니다.

10 먼지 제거 장치를 접속합니다.

먼지 제거 혹은 먼지를 모을 수 있는 장치를 갖고 있으면 장치가 연결되어있는지 확인하고 정확하게 사용합니다.

11 조정키와 렌치를 제거합니다.

제품을 작동하기 전 반드시 조정키와 렌치를 제품에서 제거하십시오.

12 연장케이블

제품을 사용하기 전 연장케이블을 확인해야 합니다. 손상되었으면 교체해야 합니다. 실외에서 제품을 사용할 경우, 실외 전용이거나 규격에 맞는 연장케이블을 사용해야 합니다.

13 용도에 맞는 제품을 사용해야 합니다.

본 설명서는 제품의 지정된 용도에 알맞게 사용하도록 되어있습니다. 중형 제품으로만 가능한 작업을 소형 제품으로 하지 마십시오. 제품을 성능에 맞는 작업에 사용하면 보다 오래 동안 안전하게 사용할 수 있습니다.과부하작업은 하지 마십시오.

경고:본 설명서에서 추천한 부품이외의 부품을 사용하거나 본 설명서에서 추천한 작업이외에 쓰면, 신체 상해를 일으킬 위험이 있습니다.

14 파손된 부품의 검사

제품을 사용하기 전에 제품과 코드가 파손되었는가 주의깊게 검사해야 합니다. 회전부품이 걸렸는지 부품이 정렬되어 있는지 검사합니다. 또한 부품이 망가지거나 보호가이드나 스위치가 파손되었는지, 기타 작동에 영향을 준 부분이 있는가를 검사해야 합니다. 제품의 정상적인 작동을 보증하고 지정된 기능을 수행할 수 있도록 합니다. 부품이 파손되거나 고장이 있으면 사용하지마십시오. 전동공구의 스위치가 온 오프 작동이 안되면 제품을 사용하지 마십시오. 파손되거나 고장이 난 경우에는 디윌트 서비스센터에 맡기고, 스스로 수리하지 마십시오.

15 전동공구의 플러그를 뽑는다.

스위치를 끈 후, 전동공구작동이 완전히 멎을 때 까지 그 곳에서 떠나서는 않됩니다. 제품을 사용하지 않을 경우, 부품이나 액세서리를 교체하거나 정비하기 전에는 플러그를 뽑으십시오.

16 제품이 부주의로 작동하는 것을 방지하십시오.

제품을 휴대할 때 손가락을 스위치에 놓아서는 않됩니다. 전원을 넣기 전에 제품의 스위치를 켜는지 확인해야 합니다.

17 코드를 잡고 플러그를 뽑지 마십시오.

코드만 잡고 플러그를 콘센트에서 잡아당기거나, 제품을 들지 마십시오. 코드를 붙, 기름이나 날카로운 것에 닿지않게 하여 주십시오.

18 제품 보관

제품을 사용하지 않을 경우 반드시 건조한 곳에 놓아두시고 어린이의 손에 닿지 않게 하십시오.

19 제품정비

제품을 깨끗한 환경에 보관하여 보다 좋은 성능을 유지하게 합니다. 제품정비와 부품을 교체할 경우에는 본 설명서의 관련규정에 따르며 핸들과 스위치의 건조, 청결함을 유지하고 기름이나 그리스에 닿게 하지 마십시오.

20 유지 및 보수

본 제품은 해당 안전법규에 부합합니다. 제품의 수리는 지정된 디월트 서비스센터에 맡기시기 바랍니다. 수리는 정규 수리교육을 이수한 인원만이 할 수 있으며 정품 부품만을 사용하여 수리하여 제품에 무리가 따르지 않도록 합니다.

고속절단기를 위한 추가 안전수칙

- 제품을 조작할 때 작업용 장갑을 끼십시오.
- 절단지석과 두 손에 일정한 거리를 두어야 합니다. 회전하는 절단지석에서 15cm 이하 떨어진 곳에서 수공작업으로 해야하는 가공물을 절단하지 마십시오.
- 본 제품의 절단지석으로 두께가 1.2mm보다 작은 가공물을 절단하지 마십시오.
- 보호커버가 제 위치가 아니면 본 제품을 작동시켜서는 않습니다.
- 손으로 잡고 아무런 작업도 하지 말아 주십시오. 클램프로 가공물을 확실하게 고정시켜 주십시오.
- 손을 절단지석뒤에 놓아서는 않습니다.
- 본 제품을 평탄하고 안정성이 좋은 평면에 놓아야 안정되게 놓여지며 절단된 부스러기나 금속 칩 등 잘 모여집니다.
- 사용하기 전에 절단지석에 갈라진 금이나 하자가 있는가 검사해야 합니다. 만약 갈라진 금이나 하자가 있으면 이 절단지석을 버려야 합니다.
- 절단지석이 전동공구가 작동하기 전에 가공물에 닿지 않도록 합니다.
- 작업과정에서 절단지석에 부딪치거나 거칠게 대해서는 않습니다. 이런 일이 생기면 제품의 작동을 정지시키고 절단지석을 검사합니다.
- 절단지석과 일직선 방향에서 전동공구를 조작하지 마십시오. 기타 사람을 작업장소에 접근 못하게 하십시오.

- 절단 시 생기는 칩은 온도가 높고 날카롭기 때문에 주의하십시오. 이것은 냉각된 후에 처리하십시오.
- 스파크 배출관은 사용하는 과정에서 뜨거워지므로 작업직후 바로 만지거나 조절해서는 않습니다.
- 가공물을 움직이거나 재조정하기 전에 제품의 전원을 끊고 절단지석이 정지한 후에 조작하십시오.
- 전원을 끊은 후 디스크 측면을 눌러 절단지석의 회전을 강제로 정지시켜서는 않습니다.
- 절단유를 사용하면 불이 붙거나 감전될 가능성이 있기때문에 사용하지 마십시오.
- 가공물이 정확하게 고정됐는가 검사합니다.
- 메이커가 추천하는 절단지석을 사용하십시오. 원형톱날 혹은 기타 유형의 톱날을 사용하지 마십시오.
- 절단지석의 최대회용속도는 반드시 내입플레이트에 표시한 무부하회전수와 같거나 그보다 커야 합니다.
- 기술자료와 설명에 부합하지 않은 직경의 절단지석을 사용하지 말아 주십시오.
- 사용하기 전에 절단지석이 정확하게 장착됐는가 확인해야 합니다.
- 전동공구가 무부하상태의 안전한 위치에서 30초이상 작동하게 합니다. 눈에 띄는 진동 혹은 기타 문제가 발생하면 전동공구를 정지시키고 원인을 찾아냅니다.
- 절단지석으로 측면 연마하지 마십시오.
- 콘크리트, 벽돌, 타일 혹은 도자기재료를 절단해서는 않습니다.
- 나무, 플라스틱 혹은 합성재료를 절단해서는 않습니다.
- 주철 재료를 절단해서는 않습니다.
- 마그네슘 재료를 절단해서는 않습니다.
- 전기가 통하고 있는 재료를 절단해서는 않습니다.
- 본 제품을 바람이 잘 통하는 곳에서 사용해주기 바랍니다. 불에 잘 타는 액체, 기체 혹은 분진 부근에서 사용하지 말아 주십시오. 절단과정에 전동기 카본브러시에서 생긴 스파크 혹은 뜨거운 칩이 가연성재료에 불이 붙게 할 가능성이 있습니다.
- 먼지나 가루가 많은 환경에서 작업할 때 늘 통풍구를 청소해야 합니다. 청소할 때 먼저 제품의 전원을 끊어야 합니다.
- 절단지석을 보존조건이 좋고 건조한 곳에 놓아두시고 어린이의 손에 닿지 않게 하십시오.
- 경고:본 제품을 사용으로 암을 발생시키거나 불임증 혹은 기타 생식에 관련된 질병을 일으킬수 있는 가루가 생깁니다. 적당한 흡기 보호조치를 취하십시오.

아래 요소가 소음에 영향을 줍니다:

- 절단하는 재료
- 절단지석의 종류
- 기계에 가하는 힘



적당한 조치를 취해 청각을 보호하십시오.

간여 위험

이 기계를 사용할 경우 아래 위험이 있습니다:

- 회전하고 있는 부품에 손을 대면 상해를 입게 됩니다.
- 절단지석이 부서지면 상해를 입습니다.

이런 위험은 아래 상황에서 가장 심합니다.

- 작업반경 범위내에 있을 때
- 회전하는 절단지석의 범위내에 있을 때

관련 안전규칙과 안전시설을 채용했다 하더라도 어떤 남아있는 위험은 피할수 없습니다.

이런 위험에는 아래와 같은 것이 있습니다.

- 청각의 손상.
- 회전절단지석의 노출부분에서 생긴 사고위험.
- 절단지석을 교체할 때 상처를 입을 위험
- 보호 커버를 열 때 손가락이 끼일 위험

패키지 내용물

본 제품의 패키지에는 다음과 같은 것이 있습니다.

- 고속절단기 1대
- 절단지석 1개
- 엘런 키 1개
- 사용설명서 1권
- 보증서 1장
- 서비스 주소카드 1장

- 운송 중 제품, 부품, 악세서리에 손상이 있는지 확인하십시오.
- 제품 사용 전 설명서를 충분히 읽고 사용하시기 바랍니다.

그림 설명 (그림 A)

귀하께서 선택하신 D28700 고속절단기는 여러가지 모양의 금속 재료를 절단하는데 사용할수 있습니다.

- 1 온/오프스위치
- 2 작업용 핸들
- 3 이동용 핸들
- 4 보호 커버
- 5 절단지석
- 6 스펀들 록
- 7 클램프

- 8 펜스
- 9 설치 구멍
- 10 베이스
- 11 스파크 배출판
- 12 깊이 조절장치
- 13 록다운 핀
- 14 엘런 키

전기 안전

전기 모터는 단 하나의 전압 하에서 사용되도록 고안되었습니다. 제품에 표시된 전압과 항상 일치되는지 확인 하시기 바랍니다.



본 제품은 EN61029표준에 따라 이중절연이 있습니다. 따라서 접지선이 요구되지 않습니다.

연장 케이블 사용

연장 케이블을 사용하려면 본 제품 입력을 적합한(기술 데이터 참조) 전기안전 승인을 받은 연장케이블을 사용해야 합니다.

적어도 도체의 단면적이 1.5평방밀리미터인 케이블을 사용해야 합니다.

케이블릴을 사용할 경우, 반드시 케이블을 완전히 풀어 놓아야 합니다.

아래표를 참조하십시오.

도체 단면적크기(평방밀리미터)	케이블전류치(암페어)
0.75	6
1.00	10
1.50	15
2.50	20
4.00	25

		케이블길이(미터)					
		75	15	25	30	45	60
전압	암페어	케이블전류치(암페어)					
115	0-2.0	6	6	6	6	6	10
	2.1- 3.4	6	6	6	6	15	15
	3.5-5.0	6	6	10	15	20	20
	5.1-7.0	10	10	15	20	20	25
230	7.1-12.0	15	15	20	25	25	-
	12.1-20.0	20	20	25	-	-	-
	0-2.0	6	6	6	6	6	6
	2.1-3.4	6	6	6	6	6	6
230	3.5-5.0	6	6	6	6	10	15
	5.1-7.0	10	10	10	10	15	15
	7.2-12.0	15	15	15	15	20	20
	12.1-20.0	20	20	20	20	25	-

주 전원에 연결

본 제품에 사용하는 전원에 반드시 시간지연기능을 갖춘 16암페어 푸즈장치를 장착해야 합니다.



절단지석을 교체할 때 깊이 조절장치를 최초의 위치에 조절해 놓으십시오.

전압강하

전류는 시동할 때 단시간의 전압강하를 일으킵니다. 전력 공급이 좋지 않을 경우, 다른 장비에 영향을 미칠 수도 있습니다.

전원의 시스템 임피던스가 0.25옴보다 낮을 경우에는 기대하지 않은 장애가 있을 수 있습니다.

조립 및 조정



조립 및 조정 전에는 반드시 플러그를 뽑으십시오.

벤치 조립(그림 A)

고속절단기를 벤치에 고정시킬 수 있도록 설치구멍(9)이 있습니다.

절단지석의 장착과 제거(그림 B1-B3)

- 아암을 정지위치에 놓고 립(15)으로 보호커버(4)를 뒤로 이동합니다. 보호커버가 젖혀진 상태로 있게 합니다.(그림 B 1)
- 스펀들 록(그림 B 2)을 누릅니다.
- 절단지석(5)을 잠길때까지 회전시킵니다.
- 엘런 키(14)를 시계반대 방향으로 돌려 나사(16)를 풀은 다음 와셔(17)와 플렌지(18)를 뺍니다.
- 스페이서(19)가 플렌지(20)에 맞게 제대로 위치하는지 확인합니다.
- 절단지석(5)을 교체합니다. 스페이서(19)위에 놓은 새 원반의 회전방향이 맞는지 확인합니다.
- 고정 플렌지(18), 플랫 와셔(17)와 볼트(16)로 블레이드를 고정합니다.
- 아래로 이동하여 보호커버가 원래의 위치에 복귀시킨 후 스펀들 록(6)을 풀습니다.
- 수요에 따라 절단깊이를 조절합니다(그림 B3)

절단깊이의 조절(그림 B3)

절단깊이는 절단지석의 마모 정도에 따라 조절할 수 있습니다.

- 전원을 끈 상태에서 돌려보아 간격을 검사합니다.
- 조절할 필요가 생길 경우 계속 아래의 절차에 따릅니다.
- 록 너트(21)를 몇바퀴 돌려 풀습니다.
- 안쪽 혹은 바깥쪽으로 깊이 조절장치 볼트(12)를 돌려 수요하는 절단깊이를 얻습니다.
- 록 너트(21)를 조입니다.

가공물 클램프고정.

(그림 A&C1-C4)

본 제품에는 클램프(6)(그림 A)가 장착되어 있습니다. 핸들(23)방향을 향해 레버(22)를 당깁니다.(그림 C1)

- 클램프 나사축(24)을 앞으로 밀어 고정판(25)이 가공물에 거의 닿게 합니다.
- 고정판(25)방향으로 레버(22)를 밀어 클램프 축(24)과 맞물리게 합니다.
- 핸들(23)을 돌려 가공물을 단단히 고정합니다.
- 가공물을 풀려면 시계반대 방향으로 핸들(23)을 돌리십시오.
- 절단능력을 향상시키려면 가공물(27)에 스페이서 블록(26)을 끼워 넣으십시오. 스페이서 블록은 가공물보다 조금 좁아야 합니다(그림 C2).
- 나무조각(28)으로 긴 가공물을 받칩니다(그림 C3). 절단한 쪽으로(27) 클램프를 고정하지 마십시오.

빠른이송기능(그림 C1)

클램프는 빠른 이송기능이 있습니다.

- 클램프를 풀려면 시계반대 방향으로 핸들(23)을 한번 내지 두번 돌린 다음 핸들(23)방향으로 레버(22)를 당깁니다.

클램프 고정 위치(그림 C4)를 설정.

클램프 위치를 조절하여 절단지석과 맞게 합니다.

- 엘런 키(14)를 사용하여 펜스 볼트(29)를 풀러냅니다.
- 원하는 위치로 펜스를(8) 이동합니다.
- 펜스 볼트(29)을 다시 장치한 다음 펜스(8)를 꼭 조입니다.

절단각(그림D)의 조절.

본 제품은 45 도까지 각도절단에 사용할 수 있습니다.

- 펜스 볼트(29)를 돌려 펜스(8)를 풀니다.
- 펜스(8)를 원하는 각도로 설정합니다. 이 각도는 눈금자(30)에서 읽을 수 있습니다.
- 펜스 볼트(29)를 꼭 죄어 펜스(8)를 채웁니다.

각도 확인 및 조절(그림A과D).

- 펜스 볼트(29)를 돌려 펜스(8)를 풀니다.
- 아암을 당기고 록다운 핀(13)을 눌러 현 위치(그림 A)에 채웁니다.
- 직각자(31)를 펜스(8)과 절단지석 좌측사이에 놓아 세밀하고 정확한 90도 직각을 만듭니다(그림D). 스케일(30)위의 0도 표시와 베이스(31)위의 표시가 맞는지 확인합니다.

- 펜스 볼트(29)를 돌려 펜스(8)를 고정합니다.
- 록다운 핀(13)을 빼면 다음 아암을 그 윗쪽의 정지 위치에(그림 A)밀어놓습니다.



전동공구에 작업중 부하가 걸려있는 상태에서 스위치를 작동하거나 정지시키지 말아 주십시오.



마그네슘 재료를 절단해서는 않습니다.

적절한 악세서리에 관한 문의는 판매 대리점와 상의하시기 바랍니다.

운송(그림A)

본 제품에 록다운 핀(13)이 한 개 장착되었으며 운송 시 제품을 접힌 위치로 고정할 수 있습니다.

- 보호 커버(4)를 베이스(10)에 내려 놓고 록다운 핀(13)를 누르면 제품을 이 위치에 고정할 수 있습니다.
- 운송 핸들(3)을 잡고 제품을 운송합니다.
- 제품을 풀려면 작업용 핸들을 살짝 누르고 록다운 핀(13)을 빼면 됩니다.

유지 및 보수

디월트 전동공구는 성능이 우수하고 장기적으로 사용할 수가 있어 최소한의 유지보수만 요구 됩니다. 연속적이고 만족스러운 사용을 위해서는 적당한 보수와 정기적인 청소가 요구됩니다.



구리스(윤활)

본 제품은 추가적인 윤활유 보충이 필요없습니다.



청결

동공구의 청결을 유지하고 부드러운 천을 사용하여 정기적으로 제품을 닦아주시기 바랍니다.

환경 보호



분리수거. 본 제품을 보통 생활 쓰레기와 함께 처리해서는 않습니다.

디월트 제품을 교체할 필요가 있거나 쓸모가 없다고 여길 때 그것을 생활 쓰레기와 함께 처리하지 마시고 분리수거 해 주십시오.



사용한 제품과 포장재를 종류대로 재활용과 재사용을 위해 분리수거하십시오. 재활용 재료의 재사용으로 환경오염을 방지하고

스파크 펜스(그림E)을 조절.

- 나사(32)를 풀니다.
- 스파크 펜스(11)을 적당한 위치에 조절해 놓습니다.
- 나사(32)를 꼭 쥘니다.

사용 지침



- 항상 설명서의 적용 규정을 안전하게 준수하시기 바랍니다.
- 제품에 너무 큰 압력을 가하지 말아 주십시오.
- 과부하작업을 하지 말아 주십시오. 제품이 너무 뜨거우면 제품을 무부하상태에서 몇분간 공회전시켜 주십시오.

사용하기 전

- 적합한 절단지식을 장착합니다. 지나치게 마손된 절단지식을 사용하지 말아 주십시오. 제품의 최대회전속도는 절단지식의 속도보다 커서는 않습니다.
- 절단지식이 액세서리와 제품에 표시한 방향대로 회전하는가 확인합니다.
- 가공물을 고정합니다.
- 항상스파크 배출판을 알맞게고정해 놓습니다.

절단작업을 진행(그림A)

- 펜스(8)에 절단하려는 재료를 놓고 클램프(7)로 고정해 놓습니다.
- 제품에 전원을 연결하고 조작 핸들(2)을 내려서 가공물을 절단합니다. 절단하기 전 최고 회전속도에 도달하게 합니다.
- 절단지식을 스스로 절단하게 하며 힘을 가하지 말아 주십시오.
- 절단이 끝난후 전원을 끄고 아암을 그 윗쪽의 정지 위치에 밀어놓습니다.

스위치 온/오프(그림A)

- 스위치(1)는 조작 핸들(2)에 위치하고 있습니다.
- 제품을 작동시키려면 온/오프스위치(1)를 눌러 줍니다.
- 작동중에 온/오프스위치가 눌러진 상태에 있게 합니다.
- 구동을 멈출 시 스위치를 놓습니다.

원자재 소비를 감소시킬수 있습니다.

지자체 쓰레기 처리장 혹은 제품의 소매 상인으로부터 현지의 전기 제품 분리수거에 관한 규정을 제공받을수 있습니다.

제품이 수명에 도달했을 경우 디월트는 회수와 재활용의 관련 설비를 제공해 드리겠습니다. 이런 서비스를 충분히 활용하시려면 수리 지정점에게 반납하여 본 회사 대신에 낡은 제품을 회수하겠습니다.

본 설명서의 주소대로 현지의 디월트 센터와 연락하여 제일 가까운 수리 지정점을 찾을 수 있습니다. 그 밖에 인터넷 주소 www.dewalt.co.kr 에서도 디월트 수리 지정점, 애프터서비스 및 연락방식 등 상세한 정보를 얻을 수 있습니다.

切割机 D28700

祝贺!

感谢您选择得伟产品。凭借多年的经验和产品开发及创新方面的不断努力，得伟已经成功跻身于专业电动工具用户的最可靠伙伴之一。

技术参数

		D28700
电压	伏	220-240
输入功率	瓦	2,200
空载速度	转/分	3,800
切割片最小线速度	米/秒	80
切割片直径	毫米	355
切割片孔径	毫米	25.4
切割片厚度	毫米	2.66
切割片类型		直线, 无凹槽
90度角横切能力		
圆形	毫米	115
正方形	毫米	119 x 119
长方形	毫米	115 x 130
角形	毫米	137 x 137
45度角斜切能力		
圆形	毫米	98
正方形	毫米	98 x 98
长方形	毫米	115 x 98
角形	毫米	98 x 98
重量	公斤	18

在此手册中，将使用下列标志：



违反此手册中的相关规定将可能造成人身伤害和设备损坏。



表明有触电危险。



火灾。

符合欧洲委员会标准声明



D28700

得伟声明本电动工具的设计符合以下标准：

98/37/EEC、89/336/EEC、73/23/EEC、EN50144、EN50144-2 EN55014-1、EN61000-3-2-8 & EN61000-3-3

请通过下面的地址联系得伟，或参考此手册背面资料获取更加详细的信息。

		D28700
L_{pA} (声压级)	(分贝)	98.5
L_{WA} (声功率级)	(分贝)	107
加权 RMS 加速度	米/秒 ²	4.3
K_{pA} (声压不确定)	(分贝)	2.8
K_{WA} (acoustic power uncertainty)	(分贝)	2.8

工程和产品开发主管
Horst Großmann

DEWALT, Richard-Klinger-Straße 11
D-65510, Idstein, 德国

安全提示

当使用电动工具时，请务必遵守贵国适用的有关安全规则，以避免火灾隐患，将人身伤害、设备损坏和触电的可能性降至最小。

请在正式使用工具前仔细阅读本手册的全部内容。请妥善保管本手册，以备将来参考使用。

总则

01 保持工作区洁净、整洁

工作区或操作台太过杂乱，可能引发事故。

02 工作区环境考虑

请勿将工具暴露在雨中或在潮湿的环境下使用

工具作业；工作区应照明良好(250-300 Lux)。

禁止在具有火灾隐患的场所，如：储藏可燃气

体和液体的场所使用工具作业。

03 让儿童远离工作区

请勿让儿童、非工作人员或动物在工作区附近逗留，禁止他们触摸工具或电源线。

04 合理着装

请勿穿着宽松服装或佩戴首饰，因为宽松服装或首饰可能被卷入作业工具的转动部件。留长发的员工应佩戴保护性发套，防止长发披散下来。进行户外作业时，应配备合适的手套和防滑鞋。

05 个人防护

应经常佩戴安全镜，并在作业产生灰尘、扬尘时使用面罩或防尘面罩。如尘埃温度很高，则作业人员应穿着耐热围裙。请务必佩戴护耳。

06 防止触电

禁止身体的任何部分同接地的表面(例如：管道、暖气片、厨具和冰箱等)接触。当在极端条件(例如：高湿度条件下或产生金属屑时)下使用工具作业时，可以通过插入隔离变压器或(F1)漏电断路器提高电气安全系数。

07 保持身体平衡

应注意维持平衡，保持立足点稳固。

08 保持警觉

操作人员应专心作业，使用常识进行判断。疲倦时禁止使用该工具。

09 夹紧加工件

使用夹钳、虎钳固定加工件，以提高安全性并可使操作人员的双手都能同时操作工具作业。

10 连接吸尘装置

如果具备连接吸尘和集尘设施的装置，应确认这些装置都已连好并能进行正确的操作。

11 移除调整键和扳手

使用工具前，请确保调整钥匙和扳手已经移除。

12 延长线缆

在正式使用工具前，应检查延长线缆，如发现线缆已经破损，应立即更换。进行户外作业时，应严格使用户外作业专用的印有相关标志的线缆。

13 使用合适的工具

对于工具的使用标准，本手册中已有相关描述。请勿强行使用轻型工具或配件进行重型作业，只有在额定作业下，该工具的工作性能和安全性才能得到最大保证。禁止超负荷作业。警告！如将非本操作手册所推荐的零配件与本工具连用，或将工具用于完成非本操作手册所推荐的操作，则可能造成人身伤害。

14 检查受损部件

使用前应妥善检查工具和电源线是否受损；转动部件是否卡住，有无对准；部件是否破损；防护装置和开关是否有损伤以及其它任何可能影响作业的情况，以确保该工具能正常工作并实现其额定性能。如果工具的任何部分受损或出现故障，或工具的开关失灵，禁止使用该工具作业，并将工具送往得伟授权的维修点进行维修，更换受损和故障部件。切勿尝试自行维修工具。

15 拔出工具电源

在关掉电源，等到工具完全停止运转后操作人员方可离开。在不使用工具时，更换工具部件、配件和附件之前及对其进行维护之前，应拔出工具电源。

16 避免意外开启工具

携带工具时，请勿将手指置于开关上。插入电源前，请确定工具开关已经关好。

17 请勿滥用电源线

切勿用电源线提拉工具，拔出电源时，禁止拉扯电源线。使电源线远离热、油脂和锋利物品。

18 保管闲置工具

工具不使用时，应放在儿童不易触到的干燥地方妥善保管。

19 妥善维护工具

在干净、合适的条件下妥善保管工具，可提高其工作性能和安全性能。应严格按照本手册中的相关规定进行工具维护和配件更换，并保持手柄和开关干燥、清洁，避免触及油脂类物质。

20 维修

本工具符合相应的安全标准。一旦出现故障，请将工具送往得伟授权的维修点进行维修。维修时须用原始备件，由专业人员进行。否则，可能对使用者造成人身危险。

切割机的附件安全规定

- 操作该工具时请戴普通工作手套。
- 保持双手远离切割片。请勿切割需要在距离旋转的切割片15厘米范围内进行手工操作的加工件。
- 请勿使用该工具提供的切割片切割厚度小于1.2□毫米的加工件。
- 请勿在没有防护的情况下操作该工具。
- 请勿空手进行任何操作。使用材料夹钳夹稳加工件。
- 禁止把手伸到切割片的后面。
- 请把该工具放置于平坦稳定的平面上，该平面应该维护良好，没有杂碎材料，如碎片和切屑等。
- 使用之前，请检查切割片是否有裂缝或缺陷。如果有裂缝或缺陷，请丢弃该切割片。
- 确保切割片在机器开启之前不接触加工件。
- 操作中，避免撞击切割片或粗暴对待切割片。如果出现这种情况，请停止操作工具并检查切割片。
- 请勿站在与切割片并列的位置操作该工具。让其他人员远离工作区。
- 小心切割碎片和被切割材料。他们可能会很热且很锋利。处理切割下来的部件前请先让它们冷却。
- 火花挡板使用过程中会变热。避免操作后立即触摸或调整火花挡板。
- 移动加工件或更改设置前，请断开工具的电源，等待切割片停止后再进行操作。
- 切断电源后，请勿尝试通过按住圆盘侧面来停止切割片。
- 请勿使用润切液。润切液可能会被点燃或导致电击。
- 请检查加工件已正确支撑。
- 请使用厂商推荐的切割片。禁止使用圆锯锯片或任何其他类型的锯齿刀片。
- 切割片的最大允许速度必须始终大于或等于标示牌上标明的空载速度。
- 请勿使用不符合技术资料说明的切割片。
- 使用前，请确保切割片正确安装。
- 请让刀具在空载情况下在安全的位置运作至少30秒钟。如果有较大振动或出现任何其他缺陷，请停止刀具并检查确定其原因。
- 请勿使用切割片来进行侧磨。
- 请勿切割混凝土、砖头、瓦片或陶瓷材料。
- 请勿切割木头、塑料或合成材料。
- 请勿切割铸铁材料。
- 禁止切割镁材料。
- 请勿切割带电材料。
- 请在通风良好的地区使用工具。请勿在可燃液体、气体或粉尘附近使用该工具。切割或弧形电动机刷子产生的火花或热的碎片可能会点燃易燃材料。
- 在多粉尘环境下工作时，要经常清除通风口。清除通风口时，请记住先拔掉工具的电源。
- 请把切割片存放在保护条件好和干燥的地方，避免儿童够及。
- 警告！使用该工具会产生包含致癌、导致不育或其他生殖性疾病的化学成分的粉尘。请使用适当的呼吸保护措施。

以下因素影响噪音的产生:

- 所要切割的材料
- 切割片的种类
- 进刀力度



请采取适当措施保护听力。

残存风险

使用该机器固有有以下风险:

- 触摸正在旋转部件导致的伤害
- 切割片破碎导致的伤害

这些风险在下列情况最为明显:

- 在工作区域范围内
- 在旋转机器部件的范围内

即使应用了相关的安全规则和安全设施,某些残存风险仍无法避免。

这些残存风险包括:

- 听力的损伤。
- 旋转切割片暴露部分引发的事故风险。
- 更换切割片时的受伤风险。
- 打开护罩时挤压手指的风险。

套装内容

该产品套装包括:

- 1 部切割机
- 1 张切割片
- 1 个内六角扳手
- 1 本操作说明书
- 1 张保修卡
- 1 张服务地址卡

- 请仔细查看工具、部件和配件是否在运输途中有所损伤。
- 使用工具前,请耐心阅读、悉心理解本手册。

图表描述 (图A)

您购买的D28700切割机用于各种形状的钢铁材料的切割。

- 1 启/停开关
- 2 操作手柄
- 3 搬运手柄

- 4 护罩
- 5 切割片
- 6 主轴锁
- 7 材料夹具
- 8 挡板
- 9 安装孔
- 10 底座
- 11 火花挡板
- 12 限深器
- 13 锁销
- 14 内六角扳手

电气安全

该电机只有一种工作电压,请确认电源电压同牌上标明的电压一致。



该工具根据EN61029双重绝缘,因此不需要地线。

使用延长线缆

如果需要使用延长线缆,请使用符合该工具(参见技术资料)电源输入规格的经核准的延长线缆。

导线最小横截面积为1.5平方毫米。

使用线缆卷筒时,应将线缆完全松开。

请参考以下表格。

线缆横截面积(平方毫米)	线缆额定电流(安培)
0.75	6
1.00	10
1.50	15
2.50	20
4.00	25

电压	安培	线缆长度(米)					
		7.5	15	25	30	45	60
115	- 02.0	6	6	6	6	6	10
	2.1 - 3.4	6	6	6	6	15	15
	3.5 - 5.0	6	6	10	15	20	20
	5.1 - 7.0	10	10	15	20	20	25
	7.1 - 12.0	15	15	20	25	25	-
	12.1 - 20.0	20	20	25	-	-	-

电压	安培	线缆额定电流(安培)					
230	0 - 2.0	6	6	6	6	6	6
	2.1 - 3.4	6	6	6	6	6	6
	3.5 - 5.0	6	6	6	6	10	15
	5.1 - 7.0	10	10	10	10	15	15
	7.1 - 12.0	15	15	15	15	20	20
	12.1 - 20.0	20	20	20	20	25	-

连接电源

该机器使用的电源必须配备带延时功能的16安培保险装置。

压降

启动电流将导致短时压降。

在供电不好的情况下，其他设备可能会受到影响。

如果系统的电源电阻小于 0.25Ω ，可能不会出现干扰。

安装及调试



安装调试前请拔掉工具的电源开关。

台式安装(图A)

为了方便台式安装，提供了安装孔(9)。

安装和拆卸切割片(图 B1-B3)

- 让机头处于停止位置，利用边缘(15)把护罩(4)往回滑动。保持护罩处于回缩状态(图B1)
- 按住主轴锁(图 B2)。
- 旋转切割片(5)直到其锁定。
- 使用内六角扳手，反时针方向旋转，松开螺丝(16)，然后取下平垫圈(17)和固定法兰。
- 检查确保垫圈(19)紧靠在法兰(20)上。
- 更换切割片(5)。确保放在垫圈(19)上的新圆盘的旋转方向正确。
- 使用固定法兰(18)、平垫圈(17)和螺钉(16)固定住刀片。
- 往下移动护罩到原来位置，然后松开主轴锁(6)。
- 根据需要调整切割深度(图B3)。

调整切割深度(图B3)

切割深度可以根据切割片的磨损程度来调整。

- 在工具断电的情况下试运行，检查其间距。
- 如果需要调整，继续以下步骤：
- 松开锁紧螺帽(21)几圈。
- 向内或向外扭动限深器螺钉(12)，得到所需的切割深度。
- 扭紧锁紧螺钉(21)。



更换切割片时，要把限深器调整到其初始位置。

夹住待加工的加工件

(图A&B3C1-C4)

该工具配备有一个材料夹具(6)(图A)。

- 向夹具手柄(23)方向拉动控制杆(22)(图C1)。
- 向前推动夹具轴(24)直到夹钳(25)几乎接触加工件。
- 向夹钳(25)方向推动控制杆(22)，直到它与夹具轴(24)交合。
- 顺时针旋转夹具手柄(23)，稳固地夹紧加工件。
- 如果要松开加工件，逆时针旋转夹具手柄(23)。



□●如果要增加切割能力，在加工件(27)的下面放置一个垫块(26)。垫块应该比加工件稍窄(图C2)。

□●使用木块(28)来支撑较长的加工件(图 C3)。请勿夹在切割下来的一端(27)。

快速移动功能(图C1)

夹钳有快速移动功能。

- 要松开夹钳，逆时针方向旋转夹具手柄(23)一到两圈，然后向夹具手柄(23)方向拉动控制杆(22)。

设定夹紧位置(图C4)

可以设置夹紧位置，以便与切割片相匹配。

- 使用内六角扳手(14)拆下挡板螺钉(29)。
- 根据要求移动挡板(8)。
- 重新装上挡板螺钉(29)，拧紧锁定挡板(8)。

调整切割角(图D)

该工具可以用于高达45度的斜角切割。

- 拧松挡板螺钉(29)，松开挡板(8)。
- 设定挡板(8)到所需角度。该角度可以在标尺(30)□□上读取。
- 拧紧挡板螺钉(29)，锁定挡板(8)。

检查和调整斜角(图A和D)

- 拧松挡板螺钉(29)，松开挡板(8)。
- 拉下机头，接入锁销(13)把它锁定在该位置(图A)。
- 放置一个直角尺(31)在挡板(8)和切割片左侧之间，以建立一个精确的90度直角(图D)。检查保证标尺(30)上的0度标记与底座(31)上的标记对齐。
- 拧紧挡板螺钉(29)，锁定挡板(8)。
- 拔出锁销(13)，然后把机头推回其上方的停止位置(图A)。

调整火花挡板(图E)

- 松开螺丝(32)。
- 把火花挡板(11)调整到适当位置。
- 拧紧螺丝(32)。

使用说明



- 请务必遵守安全说明和相关适用规则。
- 请勿给工具施加过大压力。
- 避免过载作业。如果工具过热，请让该工具空载运作几分钟。

操作之前：

- 安装合适的切割片。不要使用过度磨损的切割片。工具最大的旋转速度不能超过切割片的速度。
- 确认切割片按照配件和工具上所示箭头的方向旋转。
- 固定住加工件。
- 始终正确设置火花挡板。

进行切割作业(图A)

- 紧靠挡板(8)放置好需要切割的材料，使用夹钳(7)固定好。
- 接通工具的电源，拉下操作手柄(2)对加工件进行切割。切割前应使电机达到全速。
- 让切割片自由切割，请勿加力。
- 切割完毕后，切断工具的电源，把机头推回其上方的停止位置。

开关工具电源(图A)

- 电源开关(1)位于操作手柄(2)上。
- 运行工具，请开启/闭开关(1)。
- 操作时，保持启/闭开关处于下压状态。
- 要停止工具，松开开关。



工具加载时，请勿开启或关掉工具。



请勿切割镁材料。

请咨询您的供应商以获得合适配件的详细信息。

运输(图A)

该工具配备有一个锁销(13)，可以在运输时把工具锁定在固定位置。

- 把护罩(4)降低到底座(10)上，然后接入锁销(13)，把工具固定在该位置上。
- 使用搬运手柄(3)运送工具。
- 要放开工具，轻轻压下操作手柄，然后拔出锁销(13)。

维护与保养

您购买的得伟电动工具经过精心设计，具有寿命长、维修简易的特点。持续理想的运作性能依赖于妥善保养和经常清洁。



润滑

您购买的电动工具无须额外的润滑。



清洁

请保持通风口的干净并经常用软抹布清洁工具外壳。

保护环境分类回收



该产品不能和一般的家庭垃圾一起处理。

如果某一天您发现必须更换您的得伟产品或者它对您来说不再有用，请不要把它和家庭垃圾一起处理。把该产品单独分类回收。



旧产品和旧包装的分类回收使材料能够得以再循环和再利用。再循环材料的重新利用有助于防止环境污染和减少原料需求。

城市垃圾站或您购买新产品的零售商会向您提供当地家用电气产品分类回收的有关规定。

一旦产品到达它们的工作寿命，得伟提供回收和再利用产品的设施。如要充分利用这种服务，请把您的产品返回给任何授权的维修代理商，代理商代表我们回收旧产品。

您可以通过本手册内的地址联系当地的得伟办公室，查找离您最近的授权维修代理商。此外，也可以从 Internet 网址：www.2helpU.com 上获取得伟维修代理商的名单，以及售后服务和联系方式的详细信息。

แท่นตัดไฟเบอร์ D28700

ขอแสดงความยินดีด้วยครับ!

คุณได้เลือกซื้ออุปกรณ์จาก DeWALT ด้วยประสบการณ์อันยาวนาน การพัฒนาผลิตภัณฑ์และนวัตกรรมใหม่ๆ ทำให้ DeWALT เป็นคู่แข่งที่ไวใจได้ที่สุดสำหรับผู้ใช้เครื่องมือไฟฟ้าระดับมืออาชีพ

ข้อมูลทางเทคนิค

		D287000
แรงดันไฟฟ้า	โวลต์	220-240
กำลังไฟเข้า	วัตต์	2,100
ความเร็วขณะไม่มีโหลด	min ⁻¹	8,500
ความเร็วในการหมุนต่ำสุดของจานตัด		80
เส้นผ่าศูนย์กลางจานหมุน	ม.ม.	355
ขนาดรจงาน	ม.ม.	25.4
ความหนาของจาน	ม.ม.	2.66
ชนิดของจานตัด	ตรง	ไม่ฝั่งติด
ความสามารถในการตัดขวางที่ 90°		
วงกลม	ม.ม.	115 จัตุรัส
	ม.ม.	119 x 119
สี่เหลี่ยมผืนผ้า	ม.ม.	115 x 130
เป็นเหลี่ยมมุม	ม.ม.	137 x 137
ความสามารถในการตัดขวางที่ 45°		
วงกลม	ม.ม.	98 จัตุรัส
	ม.ม.	98 x 98
สี่เหลี่ยมผืนผ้า	ม.ม.	115 x 98
เป็นเหลี่ยมมุม	ม.ม.	98 x 98
น้ำหนัก	ก.ก.	4.7

สัญลักษณ์ต่อไปนี้จะใช้ในคู่มือเล่มนี้:



เครื่องหมายแสดงความเสี่ยงต่อการเกิดการบาดเจ็บของบุคคล การเสียชีวิต หรือ ความเสียหายต่อเครื่องมือ หากใช้โดยไม่ได้อ่านศึกษาข้อแนะนำการใช้งานในคู่มือเล่มนี้



เครื่องหมายแสดงความเสี่ยงในการเกิดไฟฟ้าช็อต



เครื่องหมายแสดงความเสี่ยงในการเกิดอัคคีภัย

ประกาศการรับรองจาก EC



D28700

DeWALT ขอรับรองว่าเครื่องมือเหล่านี้ได้รับการออกแบบตามข้อกำหนด 98/37/EEC, 89/336/EEC, 73/23/EEC, 86/188/EEC, EN 55014-2, EN 61029, EN 55014, EN 61000-3-2 & EN 61000-3-3

โปรดติดต่อ DeWALT ตามที่อยู่ปรากฏด้านล่าง หรือดูจากด้านหลังของคู่มือนี้ เพื่อขอข้อมูลเพิ่มเติม

		D287000
LpA (ความดันเสียง)	dB(A)	220-240
LWA (กำลังเสียง)	dB(A)	2,100
ค่าความเร่ง RMS ถ่วงน้ำหนัก	m/s ²	8,500
KpA (ความไม่แน่นอนของความดันเสียง)	dB(A)	355
Kwa (ความไม่แน่นอนของกำลังเสียง)	dB(A)	25.4

ผู้อำนวยการแผนกวิศวกรรมและการพัฒนาผลิตภัณฑ์

ฮอรัสท์ กรอสมานน์

DeWALT, Richard-Klinger-Straße 11

D-65510, อิดชสไตน์, ประเทศเยอรมนี

ข้อปฏิบัติเพื่อความปลอดภัย

ขณะใช้เครื่องมือไฟฟ้า ให้ระลึกถึงข้อปฏิบัติเพื่อความปลอดภัยตามประเทศของท่านอยู่เสมอเพื่อลดความเสี่ยงในการเกิดไฟไหม้ ไฟฟ้าลัดวงจร และการบาดเจ็บของบุคคล

อ่านคู่มือฉบับนี้อย่างละเอียดก่อนที่จะเริ่มใช้ผลิตภัณฑ์

เก็บคู่มือฉบับนี้ไว้เพื่อใช้อ้างอิงในภายหลัง

ข้อปฏิบัติทั่วไป

- รักษาความสะอาดบริเวณพื้นที่ทำงาน**
โต๊ะหรือบริเวณทำงานที่ไม่เป็นระเบียบอาจจะก่อให้เกิดอุบัติเหตุได้
- พิจารณาถึงสภาพแวดล้อมในการทำงาน**
ระวังไม่ให้เครื่องมือถูกน้ำฝน ไม่ควรใช้งานเครื่องมือในบริเวณที่มีความชื้นหรือเปียกน้ำ จัดแสงสว่างให้เพียงพอในบริเวณที่ทำงาน (อย่างน้อย 200-300 ลักซ์) และไม่ควรรใช้เครื่องมือในสถานที่ที่มีความเสี่ยงต่อการเกิดเพลิงไหม้หรือการระเบิด เช่น ของเหลวหรือแก๊สไวไฟอยู่ใกล้ ๆ
- เก็บเครื่องมือให้พ้นจากเด็ก**
ห้ามมิให้เด็ก สัตว์ หรือผู้อื่นใดเข้าใกล้หรือสัมผัสกับเครื่องมือหรือสายไฟ
- แต่งกายให้เหมาะสม**
ไม่ควรสวมเสื้อผ้าที่หลวมหรือใส่เครื่องประดับ เพราะอาจจะไปติดกับชิ้นส่วนที่กำลังหมุนของเครื่องมือได้ สวมหมวกคลุมผมหรือที่รัดผมเพื่อป้องกันไม่ให้ผมที่ยาวเกินไปเข้าไปติดในเครื่องมือ ถ้าเป็นไปได้ ควรสวมถุงมือและรองเท้ากันลื่นในขณะที่ทำงานกลางแจ้ง
- การป้องกันอันตรายสำหรับผู้ใช้งาน**
สวมแว่นตานิรภัย ใส่หน้ากากป้องกันฝุ่นหากการใช้งานของเครื่องมือก่อให้เกิดฝุ่นหรือเศษผงที่ฟุ้งกระจาย ถ้าเศษผงเหล่านี้มีความร้อน ควรใส่เสื้อคลุมสำหรับป้องกันความร้อนด้วย ใส่เครื่องป้องกันหูตลอดเวลา
- การป้องกันการเกิดไฟฟ้าช็อต**
ป้องกันไม่ให้ร่างกายสัมผัสกับพื้นผิวที่ต่อลงดิน (เช่น ท่อ หม้อน้ำ เครื่องหุงต้ม และตู้เย็น) สำหรับการใช้ในสภาพที่รุนแรง (เช่น ความชื้นสูง หรือเมื่อมีเศษโลหะเกิดขึ้น) ควรเพิ่มความปลอดภัยด้วยการใช้หม้อแปลงแยกวงจรหรือวงจรตัดการรั่วลงดิน
- อย่าพยายามเอื้อมือ**
ขณะใช้เครื่องมือควรยืนให้มั่นคงและมีความสมดุลตลอดเวลา
- มีความตื่นตัว**
ขณะใช้เครื่องมืออยู่ ให้มีสมาธิกับงานที่กำลังทำ ใช้วิจารณญาณ ไม่ควรใช้เครื่องมือขณะที่รู้สึกเหนื่อย

9 ยึดชิ้นงานให้มั่นคง

ใช้เครื่องมือหรืออุปกรณ์ยึดชิ้นงานให้มั่นคง เพราะจะปลอดภัยกว่าและช่วยให้สามารถใช้มือทั้งสองข้างจับเครื่องมือได้

10 ใช้เครื่องดูดจับฝุ่นถ้ามี

หากท่านมีเครื่องดักและรวบรวมฝุ่นและเศษชิ้นส่วน ตรวจสอบให้แน่ใจว่าเครื่องมือเหล่านี้ติดตั้งและพร้อมใช้งาน

11 ถอดกุญแจปรับและประแจ

ให้ตรวจสอบทุกครั้งว่ากุญแจปรับและประแจได้ถูกถอดออกจากเครื่องมือก่อนจะเริ่มใช้งาน

12 การใช้สายต่อ

ตรวจสอบสายต่อที่จะใช้ก่อนการใช้งานและเปลี่ยนเส้นใหม่ถ้าสายมีความเสียหาย เมื่อใช้เครื่องมือกลางแจ้ง ควรใช้สายต่อที่ทำขึ้นเพื่อการใช้กลางแจ้งและมีเครื่องหมายบอกไว้เท่านั้น

13 ใช้เครื่องมือที่เหมาะสม

วัตถุประสงค์ของการใช้งานเครื่องมือได้อธิบายไว้ในคู่มือเล่มนี้แล้ว ไม่ควรพยายามใช้เครื่องมือเล็กกว่าในการทำงานหนัก เครื่องมือจะทำงานได้ดีกว่าและปลอดภัยกว่าหากใช้งานตามในพิกัดที่ได้กำหนดให้ใช้

คำเตือน! การใช้ชิ้นส่วนหรืออุปกรณ์เสริมหรือเครื่องมืออื่น ๆ ที่นอกเหนือจากที่ได้แนะนำไว้ในคู่มือฉบับนี้อาจก่อให้เกิดความเสี่ยงต่อการบาดเจ็บของบุคคลได้

14 ตรวจสอบชิ้นส่วนที่บกพร่อง

ก่อนการใช้งาน ให้ตรวจสอบตัวเครื่องและสายไฟอย่างระมัดระวังว่าไม่มีส่วนใดเสียหาย ตรวจสอบว่ามีส่วนที่บิดเบี้ยว มีการบิดขาดในส่วนที่เคลื่อนไหวได้ มีชิ้นส่วนที่แตกหัก มีความเสียหายต่อส่วนป้องกันและสวิตช์ รวมทั้งสภาพอื่นๆของเครื่องที่อาจมีผลกับการใช้งานหรือไม่ ตรวจสอบให้แน่ใจว่าเครื่องจะใช้งานได้อย่างเหมาะสมและใช้งานได้ตามวัตถุประสงค์ของเครื่อง ไม่ควรใช้เครื่องมือหากมีส่วนใดส่วนหนึ่งเสียหายหรือบกพร่อง ห้ามใช้เครื่องมือหากปุ่มปิดเปิดไม่ทำงาน ให้ตัวแทน DeWALT ที่ได้รับอนุญาตทำการซ่อมเครื่องมือของท่าน ห้ามทำการซ่อมเครื่องมือด้วยตัวเอง

15 การถอดสายไฟของเครื่องมือ

ปิดเครื่องและรอจนกระทั่งเครื่องมือหยุดนิ่งสนิท ก่อนที่จะละเครื่องไป ดึงสายไฟออกเมื่อไม่ใช้งาน หรือขณะซ่อมแซมหรือเปลี่ยนชิ้นส่วน

16 หลีกเลี่ยงการเปิดเครื่องมือโดยไม่ได้ตั้งใจ

ไม่ควรถือเครื่องมือที่เสียบไฟอยู่โดยวางนิ้วอยู่บนปุ่มเปิดปิด ตรวจสอบว่าได้ปิดสวิตช์เครื่องมือก่อนที่จะเสียบปลั๊กไฟ

17 ห้ามใช้งานสายไฟของเครื่องมืออย่างผิดวิธี

ห้ามถือหรือทัวเครื่องมือโดยการจับที่สายไฟ หรือดึงสายไฟเพื่อให้ปลั๊กหลุดจากเต้าเสียบ เก็บสายไฟให้ห่างจากความร้อน น้ำมัน และวัตถุมีคม

18 เก็บเครื่องมือที่ไม่ได้ใช้งาน

เมื่อไม่ได้ใช้งาน ให้เก็บเครื่องมือในบริเวณที่แห้งและปิดล็อกไว้อย่างปลอดภัยให้พ้นมือเด็ก

19 เก็บรักษาและดูแลเครื่องมืออย่างดี

รักษาให้เครื่องมืออยู่ในสภาพดีและสะอาดเพื่อการใช้งานที่ดีและปลอดภัย ทำตามข้อปฏิบัติในการดูแลรักษา เครื่องและการเปลี่ยนชิ้นส่วน รักษาให้ตามจับและสวิตช์ทั้งหมดแห้งและสะอาด ปราศจากน้ำมันหรือคราบมัน

20 การซ่อมแซม

เครื่องมือนี้ได้รับการออกแบบมาตามข้อกำหนดเพื่อความปลอดภัยที่เกี่ยวข้อง ให้ตัวแทน DeWALT ที่ได้รับอนุญาตซ่อมแซมเครื่องมือของท่าน เพื่อเป็นการหลีกเลี่ยงอันตราย อุปกรณ์ไฟฟ้าต่าง ๆ ควรได้รับการซ่อมแซมโดยช่างที่มีคุณวุฒิ ไม่เช่นนั้นอาจเกิดอันตรายต่อผู้ใช้ได้

ข้อปฏิบัติเพื่อความปลอดภัยเพิ่มเติมสำหรับเลื่อยสับ

- ขณะใช้งานเครื่องมือนี้ ให้ใส่ถุงมือสำหรับทำงานแบบธรรมดาอยู่ตลอดเวลา
- อย่าให้มือเข้าใกล้จานตัด ห้ามใช้ตัดชิ้นงานที่ต้องใช้มือเข้าไปใกล้จานตัดที่กำลังหมุนอยู่เกินกว่า 15 ซม
- ห้ามใช้จานตัดที่ใหม่พร้อมกันเครื่องมือนี้ตัดชิ้นงานที่มีความหนาน้อยกว่า 1.2 มม
- ห้ามใช้เครื่องมือนี้โดยไม่มีเครื่องป้องกัน
- ห้ามใช้งานโดยใช้มือเปล่า ใช้ที่จับยึดวัสดุในการจับยึดชิ้นงานให้แน่น
- ห้ามยื่นมือเข้าไปด้านหลังจานตัด
- วางเครื่องมือบนพื้นผิวที่ราบ มั่นคง และปราศจากวัสดุที่หลุดร่อน เช่น เศษไม้ หรือ เศษวัสดุ
- ก่อนการใช้งาน ให้ทำการตรวจสอบจานตัดว่ามีรอยแตกหรือรอยร้าวหรือไม่ ถ้าพบว่ามีรอยแตกหรือรอยร้าวให้ทิ้งจานตัดไป
- ดูให้แน่ใจว่าจานตัดไม่ได้สัมผัสกับชิ้นงานก่อนที่จะเปิดสวิตช์ของเครื่องมือ
- ในขณะที่ใช้งาน หลีกเลี่ยงการทำให้จานตัดกระดอนหรือใช้งานจานตัดอย่างรุนแรง ถ้าเกิดขึ้น ให้หยุดเครื่องและตรวจสอบจานตัด
- ห้ามใช้งานเครื่องมือนี้โดยการยืนอยู่ในแนวเดียวกับจานตัด อย่าให้บุคคลอื่นอยู่ในบริเวณพื้นที่ทำงาน
-

ระวังเศษไม้และเศษวัสดุที่ตัด เศษไม้และเศษวัสดุเหล่านี้อาจมีความคมและร้อน ปล่อยให้ชิ้นส่วนที่ตัดออกมาเย็นลงก่อนที่จะจับต้อง

- ที่กันประกายไฟจะร้อนในระหว่างการใช้งาน ควรหลีกเลี่ยงการสัมผัสหรือปรับที่กันประกายไฟภายหลังการใช้งาน
- ปิดเครื่องและคอยจนกว่าจานตัดจะหยุดสนิทก่อนที่จะย้ายชิ้นงานหรือเปลี่ยนแปลงที่ติดตั้ง
- ภายหลังจากการปิดเครื่อง อย่าหยุดจานตัดด้วยการกดด้านข้างของจาน
- อย่าใช้ตัดของเหลว ของเหลวอาจเกิดการติดไฟหรืออาจก่อให้เกิดไฟฟ้าดูดได้
- ตรวจสอบให้แน่ใจว่าได้รองรับชิ้นงานอย่างมั่นคง
- ใช้จานตัดที่ผู้ผลิตแนะนำให้ใช้เท่านั้น ห้ามใช้ใบเลื่อยวงเดือนหรือใบเลื่อยที่มีรอยหยักชนิดอื่น
- ความเร็วสูงสุดของจานตัดจะต้องเท่ากับหรือมากกว่าความเร็วในขณะไม่มีโหลดของเครื่องตามที่กำหนดบนแผ่นป้ายที่ตัวเครื่องเท่านั้น
- ห้ามใช้จานตัดที่มีขนาดไม่ตรงกับขนาดที่กำหนดไว้ในข้อมูลทางด้านเทคนิค
- ตรวจสอบให้แน่ใจว่าได้ใส่จานตัดอย่างถูกต้องก่อนการใช้งาน
- ปล่อยให้เครื่องทำงานเปล่าๆในตำแหน่งที่ปลอดภัยเป็นเวลาอย่างน้อย 30 วินาที ถ้าเครื่องสั่นค่อนข้างมากหรือมีข้อผิดพลาดใดๆเกิดขึ้น ให้หยุดเครื่องและตรวจสอบเพื่อหาสาเหตุ
- ห้ามใช้จานตัดในการเจียรข้างพื้นเลื่อย
- ห้ามใช้ในการตัดคอนกรีต อิฐ กระเบื้อง หรือวัสดุที่เป็นเซรามิก
- ห้ามใช้ตัดไม้ พลาสติก หรือวัสดุสังเคราะห์
- ห้ามใช้ตัดวัสดุที่เป็นเหล็กหล่อ
- ห้ามใช้ตัดวัสดุที่เป็นแมกนีเซียม
- ห้ามใช้ตัดวัสดุที่มีกระแสไฟฟ้าอยู่
- ใช้เครื่องมือในบริเวณที่มีการระบายอากาศถ่ายเทสะดวก ห้ามใช้เครื่องใกล้ของเหลว แก๊ส หรือผงวัสดุที่ติดไฟได้ ประกายไฟหรือเศษวัสดุร้อนที่เกิดจากการตัดหรือแปร่งถ่านที่มีประกายไฟอาจทำให้วัสดุที่ติดไฟง่ายติดไฟได้
- ทำความสะอาดช่องระบายอากาศบ่อยๆเมื่อต้องใช้งานในที่ที่มีฝุ่นมาก ถ้าจำเป็นต้องทำความสะอาดช่องระบายอากาศ อย่าสัมผัสกับปลั๊กของเครื่องออกก่อน
- เก็บจานตัดในที่แห้งและมีมีการป้องกันเป็นอย่างดีและให้พ้นมือเด็ก
- **คำเตือน!** การใช้เครื่องมือนี้อาจก่อให้เกิดฝุ่นที่มีสารเคมีที่ก่อโรคมะเร็ง การคลออดที่ผิดปกติ หรืออันตรายต่อระบบสืบพันธุ์อื่นๆได้

ควรใช้อุปกรณ์ป้องกันการหายใจที่เหมาะสม

การเกิดเสียงจากการใช้งานอาจจะมาจากปัจจัยต่างๆดังนี้:

- วัสดุที่กำลังตัด
- ชนิดของงานตัดที่ใช้
- แรงที่ป้อนชิ้นงาน



ใช้มาตรการที่เหมาะสมในการป้องกันอันตรายจากเสียง

ความเสี่ยงอื่นๆที่อาจจะมีได้

การใช้งานเครื่องมือนี้อาจก่อให้เกิดความเสี่ยงต่างๆดังนี้:

- การบาดเจ็บอันเนื่องมาจากการโดนส่วนที่กำลังหมุนอยู่
- การบาดเจ็บอันเนื่องมาจากการแตกหักของงานตัด

ความเสี่ยงเหล่านี้มักจะพบบ่อยเมื่อ:

- อยู่ภายในเขตพื้นที่ของการใช้งาน
- อยู่ภายในเขตของสวนของเครื่องที่กำลังหมุนอยู่ ไม่ว่าจะมีการใช้มาตรการด้านความปลอดภัยและมีการใช้อุปกรณ์ในการป้องกันการปลอดภัยหรือไม่ก็ตาม ก็ไม่สามารถที่จะหลีกเลี่ยงความเสี่ยงที่ยังหลงเหลืออยู่บางอย่างได้ เป็นต้นว่า:
- การไต่ยืนที่ผิดปกติ
- ความเสี่ยงจากอุบัติเหตุที่เกิดจากส่วนที่ไม่ได้ปิดเอาไว้ของงานตัดที่กำลังหมุนอยู่
- ความเสี่ยงในการบาดเจ็บในขณะที่กำลังเปลี่ยนงานตัด
- ความเสี่ยงในการทำนั้นจะถูกหนีบในขณะที่กำลังเปิดที่ป้องกัน

รายการสิ่งของ

ชุดเครื่องมือนี้ประกอบด้วย

- เลื่อยสับ 1 เครื่อง
- งานตัด 1 ใบ
- ประแจหกเหลี่ยม 1 อัน
- คู่มือแนะนำการใช้งาน 1 เล่ม
- ใบรับประกันสินค้า 1 ใบ
- รายการที่อยู่หน่วยบริการ 1 ใบ

- ตรวจสอบว่ามีความเสียหายใด ๆ ที่เครื่องมือ ชิ้นส่วนหรืออุปกรณ์เสริมที่อาจเกิดขึ้นระหว่างการขนส่งหรือไม่
- ใช้เวลาในการอ่านและทำความเข้าใจคู่มืออย่างละเอียดก่อนการใช้งาน

คำอธิบายรูป A

เลื่อยสับ D28700 เครื่องนี้ได้รับการออกแบบมาสำหรับกราดตัดวัสดุที่เป็นหลักในหลายรูปทรง

1. สวิตช์เปิด/ปิด
2. ด้ามจับขณะใช้งาน
3. ด้ามจับขณะถือ

4. ที่ป้องกัน
5. งานตัด
6. แกนล้อ
7. ที่หนีบชิ้นงาน
8. รั้ว
9. รูสำหรับยึด
10. ฐานตัด
11. ที่กั้นประกายไฟ
12. ตัวหยุดกำหนดความลึก
13. หมุดกันเลื่อน
14. ประแจหกเหลี่ยม

ความปลอดภัยทางด้านไฟฟ้า

มอเตอร์ไฟฟ้าได้รับการออกแบบมาสำหรับแรงดันไฟฟ้าขนาดเดียวเท่านั้น ให้ตรวจสอบทุกครั้งว่าแหล่งจ่ายไฟมีขนาดแรงดันไฟฟ้าที่สามารถใช้ได้กับเครื่องมือตามที่ระบุในแผ่นป้ายบอกผลิตภัณฑ์



เครื่องมือ DeWALT ของท่านมีจำนวนสองชั้นตามข้อกำหนด EN 50144 ดังนั้นจึงไม่จำเป็นต้องใช้สายดิน

การใช้สายไฟต่อพ่วง

หากจำเป็นต้องใช้สายไฟต่อพ่วง ให้ใช้สายต่อที่ได้รับการรับรองและเหมาะสมกับกำลังไฟด้านเข้าของเครื่องมือนี้ (ดูข้อมูลทางเทคนิค) ขนาดสายตัวนำที่เล็กที่สุดคือ 1.5 ตารางมิลลิเมตร

เมื่อใช้สายไฟต่อแบบดลัมมัวน ให้ดึงสายไฟออกมาจนสุด กรุณาดูตามตารางด้านล่างด้วย

ขนาดสายตัวนำ (ตร.มม.)	พิกัดสายเคเบิล (แอมแปร์)
0.75	6
1.00	10
1.50	15
2.50	20
4.00	25

		ความยาวสายเคเบิล (เมตร)					
		7.5	15	25	30	45	60
แรงดัน	แอมแปร์	พิกัดสายเคเบิล (แอมแปร์)					
115	0	2.0	6	6	6	6	10
	2.1	3.4	6	6	6	15	15
	3.5	5.0	6	6	10	15	20
	5.1	7.0	10	10	15	20	25
	7.1	12.0	15	15	20	25	-
	12.1	20.0	20	20	25	-	-

แรงดัน	แอมแปร์	พิกัดสายเคเบิล (แอมแปร์)							
230	0	2.0	6	6	6	6	6	6	6
	2.1	3.4	6	6	6	6	6	6	6
	3.5	5.0	6	6	6	6	10	15	
	5.1	7.0	10	10	10	10	15	15	
	7.1	12.0	15	15	15	15	20	20	
	12.1	20.0	20	20	20	20	25	-	

การต่อกับสายไฟหลัก

แหล่งจ่ายไฟหลักที่จะใช้กับเครื่องจะต้องมีฟิวส์ตัดไฟขนาด 16A พร้อมด้วยตัวหน่วงเวลา

แรงดันไฟตก

กระแสกระชากจะก่อให้เกิดแรงดันไฟตกช่วงสั้นๆ ในขณะที่แหล่งจ่ายไฟอยู่ในสภาพที่ไม่ปรกติอาจจะกระทบต่ออุปกรณ์อื่นด้วย

ถ้าความต้านทานของแหล่งจ่ายต่ำกว่า 0.25Ω อาจจะไม่มีการบกพร่องเกิดขึ้น

การประกอบและปรับเปลี่ยน



ก่อนการประกอบและปรับเปลี่ยน ให้ดึงสายไฟออกเสมอ

การยึดติดกับโต๊ะ (รูป A)

รูสำหรับยึด (9) มีไว้เพื่อใช้ในการยึดเครื่องติดกับเข้ากับโต๊ะ

การถอดและการใส่จานตัด (รูป B1 - B3)

- ในขณะที่แขนตัดอยู่ในตำแหน่งคลายอยู่ ให้ใช้คีม (15) ในการเลื่อนที่ป้องกัน (4) ไปข้างหลัง ปล่อยให้ที่ป้องกันอยู่ในตำแหน่งพันเก็บ (รูป B1).
- กดแกนล็อกให้ค้างเอาไว้ (5) (รูป B2).
- หมุนจากตัด (5) จนกว่าจะติด
- ใช้ประแจหกเหลี่ยม (14) ถอดสลักเกลียว (16) ออก โดยการหมุนทวนเข็มนาฬิกา แล้วถอดแหวนรองตัวแมน (17) และหน้าแปลนตัวกัน (18) ออก (รูป B2).
- ตรวจสอบให้ที่กันระยะ (19) อยู่ตรงตำแหน่งกับหน้าแปลน (20)
- เปลี่ยนจานตัดใหม่ (5) โดยให้จานใหม่อยู่บนที่กันระยะ (19) ในทิศทางการหมุนที่ถูกต้อง
- ขันจานตัดให้แน่นโดยใช้หน้าแปลนตัวกัน (18) แหวนรองตัวแมน (17) และสลักเกลียว (16)
- เลื่อนที่ห้องกันกลับมาและปล่อยแกนล็อก (6)
- ปรับตั้งความลึกในการตัดตามต้องการ (รูป B3).

การปรับตั้งความลึกในการตัด (รูป. B3)

ความลึกในการตัดสามารถปรับตั้งตามความลึกของจานตัดได้

- ปล่อยให้จานหมุนเปล่าๆ โดยปิดสวิตช์และตรวจสอบดูสิ่งกีดขวาง
- ถ้าจำเป็นต้องทำการปรับตั้ง ให้ทำตามขั้นตอนดังนี้:
- คลายน็อตล็อก (21) ออกสองสามรอบ
- หมุนสลักเกลียวของตัวหยุดกำหนดความลึก (12) เข้าหรือออกให้ได้ความลึกตามที่ต้องการ
- ขันน็อตล็อก (21) กลับให้แน่น



ให้ดึงตัวหยุดกำหนดความลึกไปยังตำแหน่งเริ่มต้นทุกครั้งที่มีการเปลี่ยนจานตัดใหม่

การยึดจับชิ้นงานให้อยู่ในตำแหน่ง

(รูป A & C1 - C4)

เครื่องนี้มีที่หนีบยึดวัสดุ (6) มาให้ด้วย (รูป A).

- ใช้งานสลัก (22) ไปทางทางด้านจับ (23) (รูป C1).
- ดันแกนหนีบ (24) ไปข้างหน้าจนกระทั่งก้ามหนีบ (25) เกือบจะสัมผัสกับชิ้นงาน
- ผลักสลัก (22) กลับไปทางก้ามหนีบ (25) จนแนบกับแกนหนีบ (24)
- หมุนด้านจับ (23) ตามเข็มนาฬิกาเพื่อให้หนีบชิ้นงานจนแน่น
- ในการปล่อยชิ้นงาน ให้หมุนด้านจับ (23) ทวนเข็มนาฬิกา



- การเพิ่มความสามารถในการตัดทำได้โดยการวางแท่นที่กันระยะ (26) เข้าไปที่ชิ้นงาน (27) แท่นที่กันระยะจะต้องแคบกว่าชิ้นงานเล็กน้อย (รูป C2).
- รองชิ้นงานที่ยาวด้วยชิ้นไม้ (28) (รูป C3) อย่างหนีบด้านที่จะถูกตัดออก (27)

การเลื่อนอย่างรวดเร็ว (รูป C1)

ที่หนีบสามารถเลื่อนได้อย่างรวดเร็ว

- การปลดที่หนีบออกทำได้โดยการหมุนด้านจับ (23) ทวนเข็มนาฬิกาไปหนึ่งหรือสองรอบและใช้งานสลักมาทางด้านด้านจับ (23)

การตั้งตำแหน่งในการหนีบ (รูป C4)

ตำแหน่งในการหนีบสามารถตั้งให้พอดีกับจานตัดได้

- ถอดสลักเกลียวของแผ่นกัน (29) ออกโดยใช้ประแจหกเหลี่ยม (14)
- เลื่อนแผ่นกัน (8) ไปยังตำแหน่งที่ต้องการ
- ใส่สลักเกลียว (29) กลับ และขันเพื่อล็อกแผ่นกันให้แน่น (8)

การปรับมุมในการตัด (รูป D)

เครื่องนี้สามารถใช้ตัดแบบมุม 45° ได้

- คลายสลักเกลียวของแผ่นกัน (29) ออกเพื่อปล่อยแผ่นกัน (8)
- ตั้งแผ่นกัน (8) ให้ได้มุมตามที่ต้องการ โดยดูมุมได้จากสเกล (30)
- ขันสลักเกลียวของแผ่นกัน (29) เพื่อล็อกแผ่นกัน (8)

การตรวจสอบและการตั้งมุมปาก (รูป A & D)

- คลายสลักเกลียวของแผ่นกัน (29) ออกเพื่อปล่อยแผ่นกัน (8) (รูป D)
- ดึงแขนตัดลงและล็อกเอาไว้ที่ตำแหน่งนี้โดยการกดหมุดกันเลื่อน (13) (รูป A)
- วางไม้ฉาก (31) ให้แนบกับแผ่นกัน (8) และให้ด้านซ้ายของงานตัดทำมุม 90° (รูป D) ตรวจสอบว่าเครื่องหมาย 0° บนสเกล (30) ตรงกับเครื่องหมายบนฐานตัด
- ขันสลักเกลียวของแผ่นกัน (29) เพื่อล็อกแผ่นกัน (8)
- ดึงหมุดกันเลื่อน (13) ออก และปล่อยแขนตัดกลับไปยังตำแหน่งบนสุด (รูป A)

การปรับที่กันประกายไฟ (รูป E)

- คลายสกรู (32) ออก
- ปรับที่กันประกายไฟ (11) ตามความเหมาะสม
- ขันสกรู (32) ให้แน่น

ข้อปฏิบัติในการใช้งาน

- ให้ดูข้อแนะนำด้านความปลอดภัยในการใช้งานและข้อกำหนดที่เกี่ยวข้อง
- ห้ามใช้แรงกดเครื่องมือมากเกินไป
- หลีกเลี่ยงการใช้งานเกินกำลังของเครื่อง ถ้าหากเครื่องมือร้อนมาก ให้เดินเครื่องเปล่าสักสองสามนาที

ก่อนการใช้งาน:

- ใช้งานตัดที่เหมาะสม ห้ามใช้งานตัดที่สึกมากเกินไป ความเร็วสูงสุดในการหมุนของเครื่องมือจะต่อไม่เก็บความเร็วของงานตัด
- ดูให้แน่ใจว่างานตัดหมุนในทิศทางตามลูกศรบนเครื่องและอุปกรณ์เสริม
- ยึดชิ้นงานให้แน่น
- ปรับที่กันประกายไฟให้ถูกต้องอยู่เสมอ

การใช้งานในการตัด (รูป A)

- วางวัสดุที่จะตัดลงให้แนบกับแผ่นกัน (8) และใช้ที่หนีบ (7) หนีบชิ้นงานให้แน่น
- เปิดสวิตช์เครื่องและกดตามจับ (2) ลงเพื่อตัดชิ้นงาน ปล่อยให้มอเตอร์หมุนถึงความเร็วสูงสุดก่อนทำการตัด
- ปล่อยให้งานให้ตัดอย่างอิสระ อย่าใช้แรงกด
- หลังจากทำการตัดให้เปิดสวิตช์เครื่องและปล่อยให้แขนตัดกลับไปที่พักอยู่ตำแหน่งบนสุด

การเปิดและปิดเครื่อง (รูป A)

สวิตช์เปิด/ปิด (1) ติดอยู่กับด้ามจับสำหรับตัด (2)

- ในการใช้งานเครื่องมือ ให้กดสวิตช์เปิด/ปิด (1)
- ในขณะที่กำลังทำการใช้งาน ปล่อยให้สวิตช์เปิด/ปิดอยู่ในตำแหน่งกดค้าง
- การหยุดการใช้งาน ให้ปล่อยสวิตช์



ห้ามเปิดหรือปิดสวิตช์ในขณะที่เครื่องกำลังตัดชิ้นงานอยู่



ห้ามใช้ในการตัดแมกนีเซียม

สอบถามข้อมูลเพิ่มเติมเกี่ยวกับอุปกรณ์เสริมที่เหมาะสมได้จากตัวแทนจำหน่าย

การเคลื่อนย้ายเครื่องมือ (รูป A)

เครื่องมือนี้หมุดกันเลื่อน (13) ที่สามารถใช้ล็อกเครื่องมือให้อยู่ในตำแหน่งลดต่ำสุดเพื่อให้ไว้ได้

- ลดที่มือกัน (4) ลงไปบนฐานตัด (10) และยึดเครื่องมือให้อยู่ในตำแหน่งนี้โดยการกดหมุดกันเลื่อน (13)
- เคลื่อนย้ายเครื่องมือด้วยการใช้ด้ามจับสำหรับถือ (3)
- กดด้ามจับสำหรับตัดลงเล็กน้อยแล้วดึงหมุดกันเลื่อน (13) ออกเพื่อปล่อยเครื่องกลับตำแหน่งเดิม

การบำรุงรักษา

เครื่องมือ DeWALT ของท่านได้รับการออกแบบมาเพื่อให้ใช้งานได้ในระยะยาวโดยไม่ต้องดูแลมาก เครื่องมือจะใช้ได้ผลนานพอใจอย่างต่อเนื่องหรือไม่ขึ้นอยู่กับการดูแลรักษาอย่างถูกต้องและสม่ำเสมอ



การหลอสีน

เครื่องมือของท่านไม่ต้องการการหลอสีนเพิ่มเติม



การทำความสะดวก

ดูแลให้ช่องระบายอากาศไม่อุดตันและทำความสะอาดส่วน
ครอบเครื่องจักรด้วยผ้านุ่ม

การรักษาสิ่งแวดล้อม



การแยกเพื่อการจัดเก็บ ผลิตภัณฑ์ชิ้นนี้
จะต้องไม่นำไปทิ้งปนกับขยะตามบ้านเรือน
โดยทั่วไป

เมื่อท่านต้องการเปลี่ยนผลิตภัณฑ์จาก DEWALT เครื่อง
ใหม่หรือถ้าท่านไม่ต้องการใช้งานเครื่องนี้อีกต่อไป กรุณา
อย่านำไปทิ้งปนกับขยะตามบ้านเรือนโดยทั่วไป แยก
ผลิตภัณฑ์นี้เพื่อการจัดเก็บต่างหาก



การแยกผลิตภัณฑ์ที่ใช้แล้วและบรรจุภัณฑ์
เพื่อการจัดเก็บต่างหากจะช่วยให้สามารถนำ
วัสดุไปรีไซเคิลและนำกลับมาใช้ได้อีกครั้ง
การนำวัสดุที่ผ่านการรีไซเคิลกลับมาใช้ใหม่
เป็นการช่วยป้องกันมลพิษต่อสิ่งแวดล้อมและลดปริมาณ
ความต้องการวัตถุดิบลง

เมื่อท่านซื้อผลิตภัณฑ์ใหม่ อาจจะมีข้อกำหนดในท้องถิ่น
ในการแยกการจัดเก็บผลิตภัณฑ์ เครื่องใช้ไฟฟ้าจาก
บ้านเรือนโดยสถานที่กำจัดขยะของเทศบาลหรือโดยร้านค้า
เอง

DEWALT มีบริการในการเก็บและการรีไซเคิลผลิตภัณฑ์ของ
DEWALT ที่หมดอายุการใช้งานแล้ว ท่านสามารถใช้บริการ
นี้ได้ด้วย การนำสินค้าที่ไม่ใช่แล้วไปส่งยังตัวแทนให้บริการ
ซ่อมที่ได้รับอนุญาตซึ่งจะเป็นผู้เก็บสินค้าส่งคืนให้แก่เรา

ท่านสามารถสอบถามที่ตั้งของตัวแทนให้บริการซ่อมที่ได้รับ
อนุญาตที่อยู่ใกล้ท่านได้จากศูนย์ของ DEWALT ตามที่อยู่
ที่ได้รับไว้ในคู่มือเล่มนี้ หรือสามารถดูรายชื่อตัวแทน
ให้บริการซ่อมที่ได้รับอนุญาตของ DEWALT รวมทั้ง
รายละเอียดทางด้านบริการหลังการขายและรายละเอียดใน
การติดต่อผ่านทางอินเทอร์เน็ตได้ที่: www.2helpU.com