

DEWALT®

D25102(K)

D25103K

D25104K

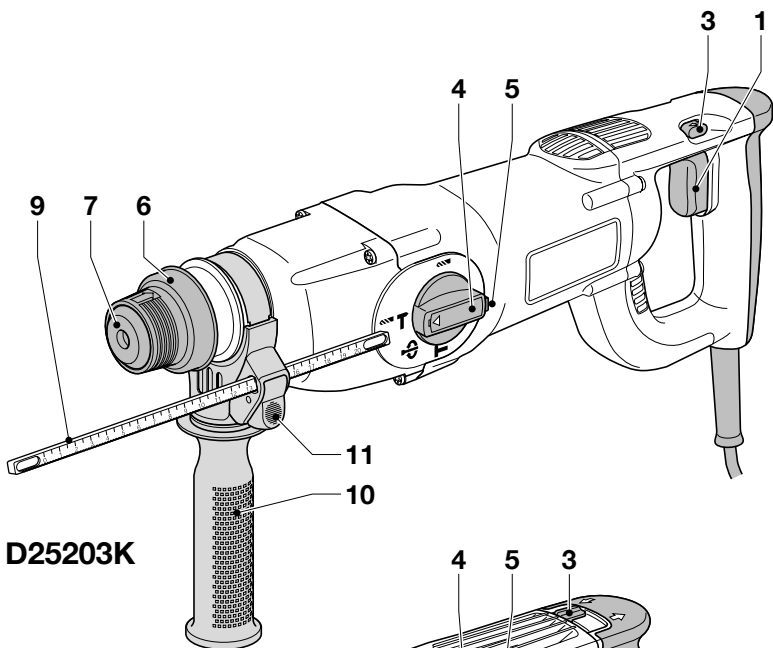
D25203K

This manual is applicable for -TW only

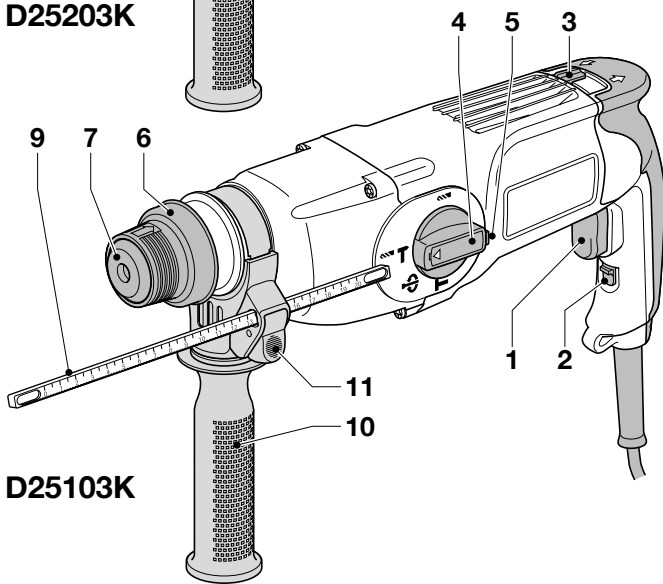
English	6
----------------	----------

简体中文	13
-------------	-----------

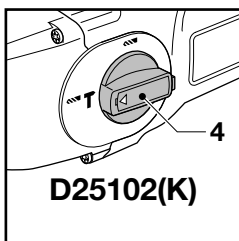
繁體中文	20
-------------	-----------



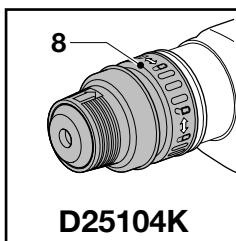
D25203K



D25103K

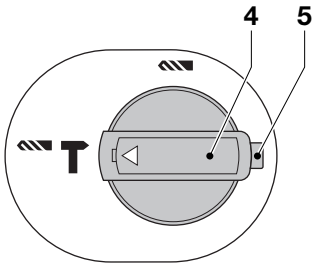


D25102(K)

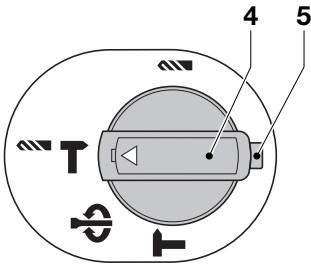


D25104K

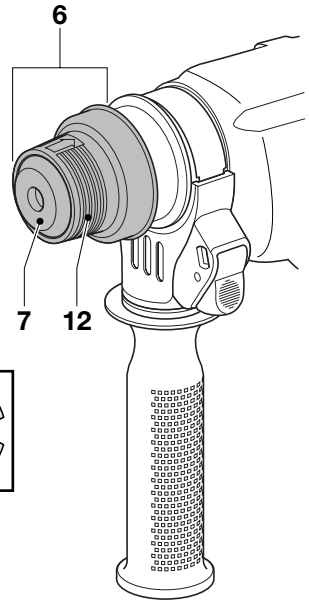
A



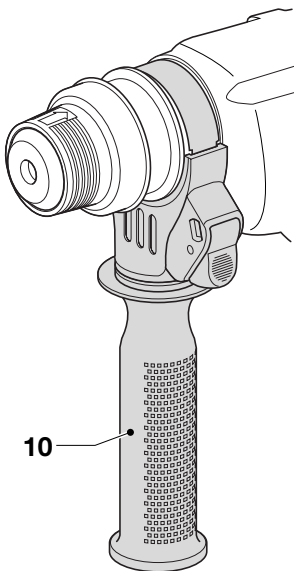
B1



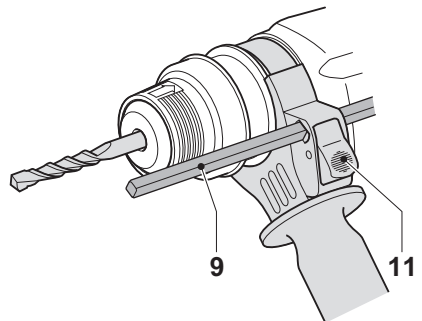
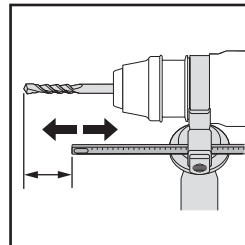
B2



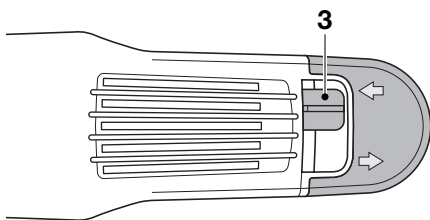
C



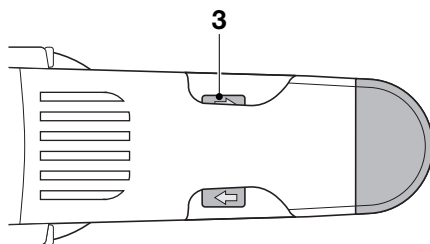
D



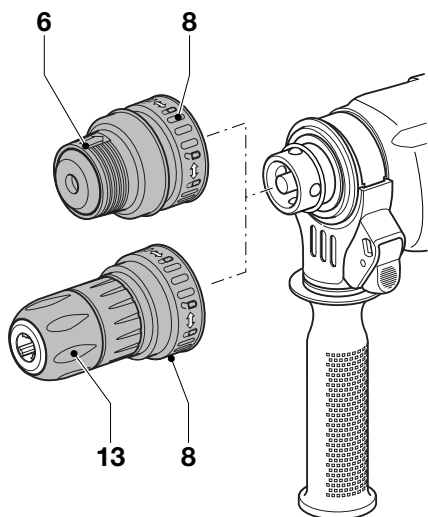
E



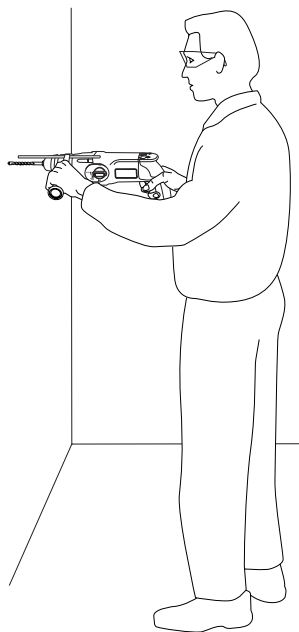
F1



F2



G



H

HEAVY DUTY ROTARY HAMMER DEILL D25102(K)/D25103K/D25104K/D25203K

Congratulations!

You have chosen a DeWALT tool. Years of experience, thorough product development and innovation make DeWALT one of the most reliable partners for professional power tool users.

Technical data

	D25102(K)	D25103K	D25104K	D25203K
Voltage	V 115	115	115	115
Power input	W 700	700	700	700
No-load speed	min ⁻¹ 0 - 1,150	0 - 1,150	0 - 1,150	0 - 1,150
Load speed	min ⁻¹ 0 - 800	0 - 800	0 - 800	0 - 800
Impact energy				
hammer drilling	J 2.8	2.8	2.8	2.8
chiselling	J -	3.0	3.0	3.1
Maximum drilling range in steel/wood/concrete	mm 13/30/24	13/30/24	13/30/24	13/30/26
Chisel positions	-	51	51	51
Core drilling capacity in soft brick	mm 65	65	65	65
Tool holder	SDS-plus®	SDS-plus®	SDS-plus®	SDS-plus®
Collar diameter	mm 54	54	54	54
Weight	kg 2.55	2.6	2.8	2.75

The following symbols are used throughout this manual:



Denotes risk of personal injury, loss of life or damage to the tool in case of non-observance of the instructions in this manual.



Denotes risk of electric shock.



Fire hazard.

EC-Declaration of conformity



D25102(K)/D25103K/D25104K/D25203K

DeWALT declares that these power tools have been designed in compliance with: 98/37/EEC, 89/336/EEC, 73/23/EEC, EN 50144, EN 55014-2, EN 55014-1, EN 61000-3-2 & EN 61000-3-3.

For more information, please contact DeWALT at the address below, or refer to the back of the manual.

Level of sound pressure according to 86/188/EEC & 98/37/EEC, measured according to EN 50144:

		D25102(K)	D25103K
L_{pA}	(sound pressure) dB(A)*	90.5	90.5
L_{WA}	(acoustic power) dB(A)	99	99

		D25104K	
L_{pA}	(sound pressure) dB(A)*	90.5	
L_{WA}	(acoustic power) dB(A)	99	

* at the operator's ear



Take appropriate measures for the protection of hearing.

Weighted root mean square acceleration value according to EN 50144:

D25102(K)	D25103K	D25104K	D25203K
9.2 m/s ²	9.2 m/s ²	9.2 m/s ²	9.2 m/s ²

Director Engineering and Product Development
Horst Großmann

DEWALT, Richard-Klinger-Straße 11
D-65510, Idstein, Germany

Safety instructions

When using power tools, always observe the safety regulations applicable in your country to reduce the risk of fire, electric shock and personal injury.

Read all of this manual carefully before operating the tool.

Save this manual for future reference.

General

1 Keep work area clean

Cluttered areas and benches can cause accidents.

2 Consider work area environment

Do not expose the tool to rain. Do not use the tool in damp or wet conditions. Keep the work area well lit (250 - 300 Lux). Do not use the tool where there is a risk of causing fire or explosion, e.g. in the presence of flammable liquids and gases.

3 Keep children away

Do not allow children, visitors or animals to come near the work area or to touch the tool or the mains cable.

4 Dress properly

Do not wear loose clothing or jewellery, as these can be caught in moving parts. Wear protective hair covering to keep long hair out of the way. When working outdoors, preferably wear suitable gloves and non-slip footwear.

5 Personal protection

Always use safety glasses. Use a face or dust mask whenever the operations may produce dust or flying particles. If these particles might be considerably hot, also wear a heat-resistant apron. Wear ear protection at all times.

6 Guard against electric shock

Prevent body contact with earthed surfaces (e.g. pipes, radiators, cookers and refrigerators). When using the tool under extreme conditions (e.g. high humidity, when metal swarf is being produced, etc.), electric safety can be improved by inserting an isolating transformer or a (FI) earth-leakage circuit-breaker.

7 Do not overreach

Keep proper footing and balance at all times.

8 Stay alert

Watch what you are doing. Use common sense. Do not operate the tool when you are tired.

9 Secure workpiece

Use clamps or a vice to hold the workpiece. It is safer and it frees both hands to operate the tool.

10 Connect dust extraction equipment

If devices are provided for the connection of dust extraction and collection facilities, ensure that these are connected and properly used.

11 Remove adjusting keys and wrenches

Always check that adjusting keys and wrenches are removed from the tool before operating the tool.

12 Extension cables

Before use, inspect the extension cable and replace if damaged. When using the tool outdoors, only use extension cables intended for outdoor use and marked accordingly.

13 Use appropriate tool

The intended use is described in this instruction manual. Do not force small tools or attachments to do the job of a heavy-duty tool.

The tool will do the job better and safer at the rate for which it was intended. Do not force the tool.

Warning! The use of any accessory or attachment or performance of any operation with this tool other than those recommended in this instruction manual may present a risk of personal injury.

14 Check for damaged parts

Before use, carefully check the tool and mains cable for damage. Check for misalignment and seizure of moving parts, breakage of parts, damage to guards and switches and any other conditions that may affect its operation. Ensure that the tool will operate properly and perform its intended function. Do not use the tool if any part is damaged or defective. Do not use the tool if the switch does not turn it on and off. Have any damaged or defective parts replaced by an authorised DeWALT repair agent. Never attempt any repairs yourself.

15 Unplug tool

Switch off and wait for the tool to come to a complete standstill before leaving it unattended. Unplug the tool when not in use, before changing any parts of the tools, accessories or attachments and before servicing.

16 Avoid unintentional starting

Do not carry the tool with a finger on the switch. Be sure that the tool is switched off before plugging in.

17 Do not abuse cord

Never carry the tool by its cord. Never pull the cord to disconnect from the socket. Keep the cord away from heat, oil and sharp edges.

18 Store idle tools

When not in use, tools must be stored in a dry place and locked up securely, out of reach of children.

19 Maintain tools with care

Keep the tools in good condition and clean for better and safer performance. Follow the instructions for maintenance and changing accessories. Keep all handles and switches dry, clean and free from oil and grease.

20 Repairs

This tool is in accordance with the relevant safety regulations. Have your tool repaired by an authorised DeWALT repair agent. Repairs should only be carried out by qualified persons using original spare parts; otherwise this may result in considerable danger to the user.

Package contents

The package contains:

- 1 Heavy duty rotary hammer drill
- 1 Side handle
- 1 Depth adjustment rod
- 1 Kitbox (K-models only)
- 1 Keyless chuck (D25104K)
- 1 Instruction manual

- Check for damage to the tool, parts or accessories which may have occurred during transport.
- Take the time to thoroughly read and understand this manual prior to operation.

Your heavy duty rotary hammer drill D25102(K)/D25103K/D25104K/D25203K has been designed for professional rotary and hammer drilling, screwdriving and light chipping, chiselling, demolition applications and for carbide tipped core drilling.

- 1 Variable speed switch
- 2 Lock-on button (D25102(K)/D25103K/D25104K)
- 3 Forward/reverse slider
- 4 Mode selector
- 5 Safety lock
- 6 Tool holder
- 7 Dust cover
- 8 Locking collar (D25104K)
- 9 Depth adjustment rod
- 10 Side handle
- 11 Depth stop clamp

Torque limiting clutch

All rotary hammer drills are equipped with a torque limiting clutch that reduces the maximum torque reaction transmitted to the operator in case of jamming of a drill bit. This feature also prevents the gearing and electric motor from stalling. The torque limiting clutch has been factory-set and cannot be adjusted.

Electrical safety

The electric motor has been designed for one voltage only. Always check that the power supply corresponds to the voltage on the rating plate.



Your DeWALT tool is double insulated in accordance with EN 50144; therefore no earth wire is required.

Using an extension cable

If an extension cable is required, use an approved extension cable suitable for the power input of this tool (see technical data). The minimum conductor size is 1.5 mm².

When using a cable reel, always unwind the cable completely.

Also refer to the table below.

Conductor size (mm ²)		Cable rating (Amperes)					
0.75		6					
1.00		10					
1.50		15					
2.50		20					
4.00		25					
		0					
		Cable length (m)					
		7.5	15	25	30	45	60
Voltage	Amperes	Cable rating (Amperes)					
115	- 02.0	6	6	6	6	6	1
	2.1 - 3.4	6	6	6	6	15	15
	3.5 - 5.0	6	6	10	15	20	20
	5.1 - 7.0	10	10	15	20	20	25
	7.1 - 12.0	15	15	20	25	25	-
230	12.1 - 20.0	20	20	25	-	-	-
	0 - 2.0	6	6	6	6	6	6
	2.1 - 3.4	6	6	6	6	6	6
	3.5 - 5.0	6	6	6	6	10	15
	5.1 - 7.0	10	10	10	10	15	15
7.1 - 12.0	15	15	15	15	20	20	
12.1 - 20.0	20	20	20	20	25	-	

Assembly and adjustment



Prior to assembly and adjustment always unplug the tool.

Selecting the operating mode (fig. B1 & B2)

D25102(K) (fig. B1)

The tool can be used in the following operating modes:



Rotary drilling: for screwdriving and for drilling into steel, wood and plastics



Hammer drilling: for concrete and masonry drilling operations.

D25103K/D25104K/D25203K (fig. B2)

The tool can be used in the following operating modes:



Rotary drilling: for screwdriving and for drilling into steel, wood and plastics



Hammer drilling: for concrete and masonry drilling operations.



Hammering only: for light chipping, chiselling and demolition applications.

In this mode the tool can also be used as a lever to free a jammed drill bit.



Bit rotation: non-working position used only to rotate a flat chisel into the desired position.

- To select the operating mode, press the safety lock (5) and rotate the mode selector switch (4) until it points to the symbol of the required mode.
- Release the safety lock and check that the mode selector switch is locked in place.



Do not select the operating mode when the tool is running.

Indexing the chisel position

The chisel can be indexed and locked into 51 different positions.

- Rotate the mode selector switch (4) until it points to the “bit rotation” position.
- Rotate the chisel in the desired position.
- Set the mode selector switch (4) to the “hammering only” position.
- Twist the chisel until it locks in position.

Inserting and removing SDS-plus® accessories (fig. C)

This tool uses SDS-plus® accessories (refer to the inset in fig. B for a cross-section of an SDS-plus® bit shank).

We recommend to use professional accessories only.

- Clean and grease the bit shank.
- Insert the bit shank into the tool holder (6).
- Push the bit down and turn it slightly until it fits into the slots.
- Pull on the bit to check if it is properly locked. The hammering function requires the bit to be able to move axially several centimetres when locked in the tool holder.
- To remove a bit pull back the tool holder locking sleeve (12) and pull out the bit.

Fitting the side handle (fig. D)

The side handle (10) can be fitted to suit both RH- and LH-users.



Always use the tool with the side handle properly assembled.

- Loosen the side handle.
- For RH-users, slide the side handle clamp over the collar behind the tool holder, handle at the left.
- For LH-users, slide the side handle clamp over the collar behind the tool holder, handle at the right.
- Rotate the side handle to the desired position and tighten the handle.

Setting the drilling depth (fig. E)

- Insert the required drill bit as described above.
- Press the depth stop clamp (11) and keep it depressed.
- Fit the depth adjustment rod (9) through the hole in the depth stop clamp.
- Adjust the drilling depth as shown.
- Release the depth stop clamp.

Forward/reverse slider (fig. F1 & F2)

D25102(K)/D25103K/D25104K (fig. F1)

- Push the forward/reverse slider (3) to the RH-side for forward (RH) rotation. See arrows on tool.
- Push the forward/reverse slider (3) to the LH-side for reverse (LH) rotation.

D25203K (fig. F2)

- Push the forward/reverse slider (3) to the LH-side for forward (RH) rotation. See arrows on tool.

- Push the forward/reverse slider (3) to the RH-side for reverse (LH) rotation.



Always wait until the motor has come to a complete standstill before changing the direction of rotation.

D25102(K)/D25103K/D25203K - Fitting the chuck adapter & chuck

- Screw the chuck onto the threaded end of the chuck adapter.
- Insert the connected chuck and adapter in the tool as though it were a standard SDS-plus® bit.
- To remove the chuck, proceed as for removing a standard SDS-plus® bit.



Never use standard chucks in the hammer drilling mode.

D25104K - Replacing the tool holder with the chuck (fig. G)

- Turn the locking collar (8) into the unlocking position and pull the tool holder (6) off.
- Push the chuck (13) onto the spindle and turn the locking collar into the locking position.
- To replace the chuck with the tool holder, first remove the chuck the same way as the tool holder was removed. Then place the tool holder the same way as the chuck was placed.



Never use standard chucks in the hammer drilling mode.

Replacing the dust cover (fig. C)

The dust cover (7) prevents dust ingress into the mechanism. Replace a worn dust cover immediately.

- Pull back the tool holder locking sleeve (12) and pull the dust cover (7) off.
- Fit the new dust cover.
- Release the tool holder locking sleeve.

Instructions for use



- Always observe the safety instructions and applicable regulations.

Be aware of the location of pipework and wiring. Apply only a gentle pressure to the tool (approx. 5 kg). Excessive force does not speed up drilling but decreases tool performance and may shorten tool life.

Do not drill or drive too deep to prevent damage to the dust cover.

Always hold the tool firmly with both hands and ensure a secure stance (fig. H). Always operate the tool with the side handle properly mounted.

Switching on and off (fig. A)

D25102(K)/D25103K/D25104K

- To run the tool, press the variable speed switch (1). The pressure exerted on the variable speed switch determines the tool speed.
- For continuous operation, press and hold down the variable speed switch, press the lock-on button (2) and release the switch.
- To stop the tool, release the switch.
- To stop the tool in continuous operation, press the switch briefly and release it. Always switch off the tool when work is finished and before unplugging.

D25203K

- To run the tool, press the variable speed switch (1). The pressure exerted on the variable speed switch determines the tool speed.
- To stop the tool, release the switch.
- To lock the tool in off position, move the forward/reverse slider (3) to the central position.

Hammer drilling (fig. A)

Drilling with a solid bit

- Set the mode selector switch (4) to the “hammer drilling” position.
- Insert the appropriate drill bit. For best results use high quality carbide-tipped bits.
- Adjust the side handle (9) as required.
- If necessary, set the drilling depth.
- Mark the spot where the hole is to be drilled.
- Place the drill bit on the spot and switch on the tool.
- Always switch off the tool when work is finished and before unplugging.

Drilling with a core bit

- Set the mode selector (3) to the “hammer drilling” position.
- Adjust the side handle (9) as required.
- Insert the appropriate core bit.
- Assemble the centerdrill into the core bit.
- Place the centerdrill on the spot and press the variable speed switch (1). Drill until the core penetrates into the concrete approx. 1 cm.
- Stop drilling and remove the centerdrill. Place the core bit back into the hole and continue drilling.
- When drilling through a structure thicker than the depth of the core bit, break away the round cylinder of concrete or core inside the bit at regular intervals. To avoid unwanted breaking away of concrete around the hole, first drill a hole the diameter of the centerdrill completely through the structure. Then drill the cored hole halfway from each side.
- Always switch off the tool when work is finished and before unplugging.

Rotary drilling (fig. A)

- Set the mode selector switch (4) to the “rotary drilling” position.
- Depending on your tool, follow either of the following instructions:
 - Fit the chuck adapter/chuck assembly (D25102(K)/D25103K/D25203K).
 - Replace the tool holder with the chuck (D25104K).
- Proceed as described for hammer drilling.



Never use standard chucks in the hammer drilling mode.

Screwdriving (fig. A)

- Set the mode selector switch (4) to the “rotary drilling” position.
- Select the direction of rotation.
- Depending on your tool, follow either of the following instructions:
 - Insert the special SDS-plus® screwdriving adaptor for use with hexagonal screwdriver bits (D25102(K)/D25103K/D25203K).
 - Replace the tool holder with the chuck (D25104K).

- Insert the appropriate screwdriver bit.
When driving slotted head screws always use bits with a finder sleeve.
- Gently press the variable speed switch (1) to prevent damage to the screw head. In reverse (LH) rotation the tool speed is automatically reduced for easy screw removal.
- When the screw is flush with the workpiece, release the variable speed switch to prevent the screw head from penetrating into the workpiece.



Lubrication

Your power tool requires no additional lubrication.

Accessories and attachments used must be regularly lubricated around the SDS-plus® fitment.



Cleaning

Keep the ventilation slots clear and regularly clean the housing with a soft cloth.



Unwanted tools and the environment

Take your tool to an authorized DeWALT repair agent where it will be disposed of in an environmentally safe way.

D25103K/D25104K/D25203K - Chipping and chiselling (fig. A)

- Set the mode selector switch (4) to the “hammering only” position.
- Insert the appropriate chisel and rotate it by hand to lock it into one of 51 positions.
- Adjust the side handle (9) as required.
- Switch on the tool and start working.
- Always switch off the tool when work is finished and before unplugging.



- Do not use this tool to mix or pump easily combustible or explosive fluids (benzine, alcohol, etc.).
- Do not mix or stir inflammable liquids labelled accordingly.

Various types of SDS-plus® drill bits and chisels are available as an option.

Consult your dealer for further information on the appropriate accessories.

Maintenance

Your DeWALT power tool has been designed to operate over a long period of time with a minimum of maintenance. Continuous satisfactory operation depends upon proper tool care and regular cleaning.

- This machine is not user-serviceable. Take the tool to an authorised DeWALT repair agent after approximately 40 hours of use. If problems occur before this time contact an authorised DeWALT repair agent.
- The tool will automatically switch off when the carbon brushes are worn.

D25102(K)/D25103K/D25104K/D25203K型 重型旋转式冲击式钻机

祝贺!

您已选择了得伟工具。凭借多年的经验和产品开发及创新方面的不断努力，得伟已经成为专业电动工具用户的最可靠伙伴之一。

技术参数

		D25102(K)	D25103K	D25104K	D25203K
电压	伏	115	115	115	115
输入功率	瓦	700	700	700	700
空载速度	转/分	0 - 1,150	0 - 1,150	0 - 1,150	0 - 1,150
负载速度	转/分	0 - 800	0 - 800	0 - 800	0 - 800
冲击能量					
锤钻	焦耳	2.8	2.8	2.8	2.8
鏝	焦耳	-	3.0	3.0	3.1
钢材 / 木材 / 混凝土					
最大钻孔范围	毫米	13/30/24	13/30/24	13/30/24	13/30/26
凿刀位置		-	51	51	51
软砖中的空心钻孔能力	毫米	65	65	65	65
夹头槽口		SDS-plus®	SDS-plus®	SDS-plus®	SDS-plus®
轴环直径	毫米	54	54	54	54
重量	千克	2.55	2.6	2.8	2.75

K指外配工具箱

工具电源线采用重型氯丁橡胶(245IEC66)

在此手册中，将使用下列标志：



表示违反此手册中的相关规定将可能造成的人身伤害、生命危险和设备损坏。



表明有触电危险。



火灾。

符合欧洲委员会标准声明



D25102(K)/D25103K/D25104K/D25203K

得伟声明本电动工具的设计符合以下标准：

98/37/EEC、89/336/EEC、73/23/EEC、EN50144、EN55014-2、EN55014-1、EN61000-3-2以及EN61000-3-3

请通过下面的地址联系得伟，或参考此手册背面资料获取更加详细的信息。

按照EN 50144标准测定的符合86/188/EEC标准及98/37/EEC标准的声压：

		D25102(K)	D25103K
L_{pA} (声压)	分贝*	90.5	90.5
L_{WA} (声功率)	分贝	99	99

		D25104K	
L_{pA} (声压)	分贝*	90.5	
L_{WA} (声功率)	分贝	99	

*操作员耳朵附近值。



请采取适当的措施保护听觉。

符合EN 50144标准的加速度加权均方根:

D25102(K)	D25103K	D25104K	D25203K
9.2 m/s ²	9.2 m/s ²	9.2 m/s ²	9.2 m/s ²

工程和产品开发主管

Horst Großmann

DEWALT, Richard-Klinger-Str. 11

D-65510, Idstein, 德国

安全指引

当使用电动工具时，请务必遵守贵国适用的有关安全规则，以避免火灾、触电和人身伤害的危险。

请在正式使用工具前仔细阅读本手册的全部内容。

请妥善保管本手册，以备将来参考使用。

一般安全规则

1 工作场地

- 1) 保持工作场地清洁和明亮。混乱和黑暗的场地会引发事故。
- 2) 不要在易爆环境，如有易燃液体、气体或粉尘的环境下操作电动工具。电动工具产生火花会点燃粉尘或气体。
- 3) 让儿童和旁观者离开后操纵电动工具。分心会使你放松控制。

2 电器安全

- 1) 电动工具插头必须与插座相配，绝不能以任何方式改装插头。需要接地的电动工具不能使用任何转换插头。未经改装的插头和相配的插座将减少触电危险。
- 2) 避免人体接触接地表面，如管道、散热片和冰箱。如果你身体接地会增加触电危险。
- 3) 不得将电动工具暴露在雨中或潮湿环境中。水进入电动工具将增加触电危险。
- 4) 不得滥用电线，绝不能用电线搬运、拉动电动工具或拔出其插头。让电动工具远离热、油、锐边或运动部件。受损或缠绕的电线会增加触电危险。
- 5) 当在户外使用电动工具时，使用适合户外使用的外接电线。适合户外使用的电线将减少触电危险。

3 人身安全

- 1) 保持警觉，当操作电动工具时关注所从事的操作并保持清醒。切勿在有疲倦、药物、酒精或治疗反应下操作电动工具。在操作电动工具期间精力分散会导致严重人身伤害。
- 2) 使用安全装置。始终佩戴护目镜。安全装置，诸如适当条件下的防尘面具、防滑安全鞋、安全帽、听力防护等装置能减少人身伤害。
- 3) 避免突然启动。确保开关在插入插头时处于关闭位置。手指放在已接通电源的开关上或开关处于接通时插入插头可能会导致危险。
- 4) 在电动工具接通之前，拿掉所有调节钥匙或扳手。遗留的电动工具旋转零件上的扳手或钥匙会导致人身伤害。
- 5) 手不要伸得太长。时刻注意脚下和身体平衡。这样在意外情况下也能很好地控制电动工具。
- 6) 着装适当。不要穿宽松衣或佩带饰品。让你的头发、衣服和袖子远离运动部件。宽松衣服、佩饰或长发可能会卷入运动部件。
- 7) 如果提供了与排屑装置、集尘设备连接用的装置，则确保他们连接完好且使用得当。使用这些装置可减少碎屑引起的危险。

14 检查受损部件

使用前应妥善检查工具和电源线是否受损。检查转动部件是否卡住、有无对准，部件是否破损，防护装置和开关是否有损坏以及其它任何可能影响作业的情况。确保该工具能正常工作并实现其额定性能。如果工具的任何部分受损或出现故障，或工具的开关失灵，禁止使用该工具作业。应将工具送往得伟授权的维修点进行维修，更换受损和故障部件。切勿尝试自行维修工具。

15 拔出工具电源

在关掉电源，等到工具完全停止运转后操作人员方可离开。在不使用工具时，更换工具部件、配件和附件之前及对其进行维护之前，应拔出工具电源。

16 避免意外开启工具

携带工具时，请勿将手指置于开关上。插入电源前，请确定工具开关已经关好。

17 请勿滥用电源线

切勿用电源线提拉工具，拔出电源时，禁止拉扯电源线。使电源线远离热、油脂和锋利物品。

18 保管闲置工具

工具不使用时，应放在儿童不易触到的干燥地方锁存起来。

19 妥善维护工具

保持工具的在干净和良好状态，可提高其工作性能和安全性能。应严格按照本手册中的相关规定进行工具维护和配件更换，并保持所有的手柄和开关干燥、清洁，避免触及油脂类物质。

20 维修

本工具符合相应的安全标准。一旦出现故障，请将工具送往得伟授权的维修点进行维修。维修时须用原始备件，由专业人员进行。否则，可能对使用者造成人身危险。

套装内容

该产品套装包括：

- 重型旋转式冲击式电锤一台
- 侧面把手一个
- 深度调节杆一支
- 工具箱一个(仅适用于K型)
- 无锁夹头一个(D25104K型)
- 使用手册一本

- 请仔细查看工具、部件和配件是否在运输途中有所损伤。
- 使用工具前，请耐心阅读、悉心理解本手册。

您的得伟重型旋转式冲击式钻机D25102(K)/ D25103K/ D25104K/D25203K的设计目的是，用于专业旋钻和锤钻，也可用于拧螺丝和轻型修琢、凿和拆毁用途，还可用于硬合金钻头空心钻探。

- 1 可变速开关
- 2 锁定按钮
(D25103K/D25104K)
- 3 正转/反转
- 4 模式选择器
- 5 安全锁扣
- 6 夹头槽口
- 7 防尘罩
- 8 锁圈(D25104K)
- 9 深度调节杆
- 10 侧面手柄
- 11 深度杆固定夹

转矩限制离合器

所有旋转式冲击式钻机都配有一个转矩限制离合器，以降低钻头卡滞时传递给操作人员的最大转矩反作用力。这一特点也可防止齿轮装置和电动机停止转动。转矩限制离合器已由厂家设定，不可再作调整。

电气安全

该电机只有一种工作电压，请确认电源电压同标牌上标明的电压一致。



该工具根据EN50144标准设施双重绝缘，因此不需要地线。

使用延长线缆

如果需要使用延长线缆，请使用符合该工具电源输入规格(参见技术资料)的经核准的延长线缆。导线最小横截面积为1.5 平方毫米。使用线缆卷筒时，应将线缆完全松开。

请参考以下表格。

线缆横截面积(平方毫米)		线缆额定电流(安培)						
0.75		6						
1.00		10						
1.50		15						
2.50		20						
4.00		25						
								0
		线缆长度(米)						
		7.5	15	25	30	45	60	
电压	安培	线缆额定电流(安培)						
115	- 02.0	6	6	6	6	6	6	1
	2.1 - 3.4	6	6	6	6	6	15	15
	3.5 - 5.0	6	6	10	15	20	20	20
	5.1 - 7.0	10	10	15	20	20	25	25
	7.1 - 12.0	15	15	20	25	25	-	-
	12.1 - 20.0	20	20	25	-	-	-	-
230	0 - 2.0	6	6	6	6	6	6	6
	2.1 - 3.4	6	6	6	6	6	6	6
	3.5 - 5.0	6	6	6	6	10	15	15
	5.1 - 7.0	10	10	10	10	15	15	15
	7.1 - 12.0	15	15	15	15	20	20	20
	12.1 - 20.0	20	20	20	20	25	-	-

安装及调试



安装调试前请拔掉工具的电源线。

设定工作模式(图B1及B2)

D25102(K) (图B1)

本工具可以用于两种工作模式。



旋钻模式：用于拧螺丝以及钢材、木材和塑料钻孔。



锤钻模式：用于混凝土和砖石钻孔操作。

D25103K/D25104K/D25203K(图B2)

本工具可以用于工作模式：



旋钻模式：用于拧螺丝以及钢材、木材和塑料钻孔。



锤钻模式：用于混凝土和砖石钻孔操作。



纯捶击模式：用于轻型修琢、凿以及拆毁等用途。

此种模式下，本工具还可用作杠杆，以撬起滞塞的钻头。



钻头旋转模式：这是一种非工作模式，仅用于转动平凿，使之转动至所需的位置。

- 要选择操作模式，按下安全锁(5)并转动模式选择开关(4)，直到使之指向所要求模式的符号。
- 松开安全锁并检查确保模式选择开关锁定在对应位置上。



不要在工具运转时选择操作模式。

确定凿刀位置

凿刀可以放置并锁定在51个不同的位置上。

- 转动模式选择开关(4)直至它指向“钻头旋转”的位置。
- 转动凿刀至想要的位置。
- 将模式选择开关(4)转到“纯捶击”的位置上。
- 扭转凿刀直至它锁定在相应的位置上。

插入和去除SDS-plus®附件(图C)

本工具使用SDS-plus®附件(请参阅图B中的小图，那里提供了SDS-plus®钎柄的截面图)。

我们推荐您仅使用专业配件。

- 清洁钎柄并给其上润滑油。
- 将钎柄插入到槽口中(6)。
- 将钻头往下推，轻轻转动它，直至其进入开槽中。
- 拉扯钻头，检查其是否锁定恰当。
撞击功能要求钻头锁定在刀夹中时能够轴向移动几个厘米。
- 要去除钻头，将夹头(12)回按，并拉出钻头。

安装侧面手柄(图D)

适当安装侧面手柄(10)，可以使之既适应于右撇子，又适应于左撇子。



使用钻机时，切记将把手适当地装配好。

- 拧松侧面手柄。
- 对于右撇子用户，将侧面手柄夹钳绕过夹头后面的轴环，使手柄位于左侧。
- 对于左撇子用户，将侧面手柄夹钳绕过夹头后面的轴环，使手柄位于右侧。
- 将侧面手柄旋转到想要的位置，并将其拧紧。

设定钻孔深度(图E)

- 如上插入所要求的钻头。
- 按下深度杆固定夹钳(11)并保持按下位置。
- 将深度调节杆(9)穿过深度杆固定夹钳中的孔。
- 如图所示调节钻孔深度。
- 松开深度杆固定夹钳。

正向/反向滑块(图F1及F2)

D25102(K)/D25103K/D25104K(图F1)

- 将正向/反向滑块(3)推到右边以便进行正向(右手)旋转。请参考工具上的箭头。
- 将正向/反向滑块(3)推到左边以便进行反向(左手)旋转。

D25203K(图F2)

- 将正向/反向滑块(3)推到左边以便进行正向(右手)旋转。请参考工具上的箭头。

- 将正向/反向滑块(3)推到右边以便进行反向(左手)旋转。



切记等到发动机完全停止才能改变旋转方向。

D25102(K)/D25103K/D25203K

安装夹头连接器及夹头

- 将夹头旋进夹头连接器带螺纹的一端。
- 将连接好的夹头和连接器作为一个标准的SDS-plus® 钻头插入工具中。
- 需要拆除夹头时，与拆除标准SDS-plus® 钻头的操作相同。



千万不要在锤钻模式下使用标准夹头。

D25104K-用夹头替代夹头(图G)

- 将锁圈(8)转到开锁位置，并将刀夹槽(6)拉出。
- 将夹头(13)推到轴上，并将锁圈转到锁定位置。
- 要将刀夹替代夹头，首先以去除刀夹的方式去除夹头，然后以放置夹头的方式放置刀夹。



千万不要在锤钻模式下使用标准夹头。

更换防尘罩(图C)

防尘罩(7)防止灰尘进入机械内部。防尘罩破损应立即更换。

- 将刀夹锁定套(12)拉回并拉出防尘罩(7)。
- 装上新的防尘罩。
- 释放刀夹锁定套。

使用说明



- 请务必遵守安全说明和相关适用规则。

留意管道系统和布线的位置。

给工具施加轻度的压力(约5千克)。过度用力并不能加快钻孔速度,反而会降低工具的工作表现,还可能缩短工具的使用寿命。

不要钻得或推得太深,以免损坏防尘罩。

用双手紧握工具,保证安全的站姿(图H)。侧面手柄恰当固定后再操作工作。

开关工具电源(图A)

D25102(K)/D25103K/D25104K

- 要启动工具,按下可变速开关(1)。施加给可变速开关的压力大小,决定工具运行速度的快慢。
- 要持续操作,按住可变速开关,按下锁定按钮(2)并松开开关。
- 要停止工具,松开开关。
- 要让连续工作的工具停止运行,快速按下开关并释放之。切记在工作完成时和拔下插头前关闭工具。

D25203K

- 要启动工具,按下可变速开关(1)。施加给可变速开关的压力大小,决定工具运行速度的快慢。
- 要停止工具,松开开关。
- 要在将工具锁定在关闭状态,将正向/反向滑块(3)移到中间位置。

锤钻(图A)

用坚固钻头进行钻孔

- 将模式选择开关(4)设置到“锤钻”的位置上。
- 插入合适的钻头。为达到最佳钻孔效果,请使用高质量的顶部为硬质合金的钻头。
- 调整侧面手柄(9)到相应的位置上。
- 如有必要,设置钻孔深度。
- 标记要钻孔的位置。
- 将钻头放置在要钻孔的位置上,启动工具。
- 切记工作完成后,在拔下插头前,一定要关闭工具。

用取芯钻头进行钻孔

- 将模式选择开关(3)设置到“锤钻”的位置上。
- 调整侧面手柄(9)到相应的位置上。
- 插入合适的取芯钻头。
- 将中心孔钻装配到取芯钻头里面。
- 将中心孔钻放置在要钻孔的位置上,按下可变速开关(1),启动钻机进行钻孔,直到孔钻钻入混凝土中大约一厘米深。
- 停止钻孔,取出中心孔钻。将取芯钻头放回孔中继续钻孔。
- 当要对一个厚度超过中心孔钻深度的结构进行钻孔时,需定期剥离钻头周围的混凝土或清理钻头内芯。为避免在钻孔周围作不必要的混凝土剥离,可以先对要钻孔的结构钻透一个直径为中心孔钻的小孔,然后再在该结构的两侧各钻入该结构厚度的一半深度。
- 切记工作完成后,在拔下插头前,一定要关闭工具。

旋钻(图A)

- 将模式选择开关(4)设置到“旋钻”的位置上。
- 根据你的工具,遵守下列指引之一:
 - 安装夹盘连接器/组件(D25102(K)/D25103K/D25203K)。
 - 用夹盘替换刀架(D25104K)。
- 如锤钻中所描述的方式一般进行钻孔。



在锤钻模式中,切记不要使用标准夹盘。

拧螺丝(图A)

- 将模式选择器开关(4)设定到“旋钻”位置。
- 选择旋转方向。
- 根据你的工具,遵守下列指引之一:
 - 插入专用的SDS-plus®螺杆驱动连接器与六角螺丝起子头一起使用(D25102(K)/D25103K/D25203K)。
 - 用夹盘替换刀夹(D25104K)。

- 插入合适的螺丝起子头。
在使用开槽头螺丝钉，须使用带轴套的钻头。
- 轻轻按下可变速开关(1)以防损坏螺钉头。当反向(左手)旋转时，工具速度自动减慢，以便更简单地取出螺钉。
- 当螺丝钉与工件齐平时，松开可变速开关以防螺钉头刺入工件。



润滑

您购买的电动工具无须额外的润滑。

但是，对所使用的附件和配件必须定期在SDS-plus® 装配处周围进行润滑。



清洁

请保持通风口的干净并经常用软抹布清洁工具外壳。



废弃工具与环境

将您废弃的工具拿到授权的得伟维修点，他们会以对环境安全的方式处置您的工具。

D25103K/D25104K/D25203K--修琢与 (图A)

- 将模式选择开关(4)设置到“纯捶击”的位置上。
- 插入合适的凿刀，用手旋转之使之锁定在51个位置中的一个上。
- 调整侧面手柄(9)到相应的位置上。
- 启动工具开始工作。
- 切记工作完成后，在拔下插头前，一定要关闭工具。



- 不要将本工具用于搅拌或抽吸易燃易爆液体(如：汽油、酒精等)。
- 不要混合或搅拌标示为可燃的液体。

我们还提供各种类型的SDS-plus® 钻头和凿刀可供选择。

请联系您的经销商，征询有关适当配件的进一步信息。

维护

您购买的得伟电动工具经过精心设计，具有寿命长、维修简易的特点。持续理想的运作性能依赖于妥善保养和经常清洁。

- 本机器不可由用户进行维护。使用大约40小时以后，您需要将工具交给授权的得伟维修点进行维护。如果在此之前出现问题，请联络授权的得伟维修点。
- 碳刷磨损时，工具会自动关闭。

厂商：百得捷克公司

厂址：捷克

D25102(K)/D25103K/D25104K/D25203K型 重型旋轉式衝擊式鑽機

祝賀！

您已選擇了得偉工具。憑借多年的經驗和產品開發及創新方面的不斷努力，得偉已經成為專業電動工具用戶的最可靠伙伴之一。

技術參數

		D25102(K)	D25103K	D25104K	D25203K
電壓	伏	115	115	115	115
輸入功率	瓦	700	700	700	700
空載速度	轉/分	0 - 1,150	0 - 1,150	0 - 1,150	0 - 1,150
負載速度	轉/分	0 - 800	0 - 800	0 - 800	0 - 800
衝擊能量					
錘鑽	焦耳	2.8	2.8	2.8	2.8
槌	焦耳	-	3.0	3.0	3.1
鋼材 / 木材 / 混凝土					
最大鑽孔範圍	毫米	13/30/24	13/30/24	13/30/24	13/30/26
鑿刀位置		-	51	51	51
軟磚中的空心鑽孔能力	毫米	65	65	65	65
夾頭槽口		SDS-plus®	SDS-plus®	SDS-plus®	SDS-plus®
軸環直徑	毫米	54	54	54	54
重量	千克	2.55	2.6	2.8	2.75

K指外配工具箱

工具電源線採用重型氯丁橡膠(245IEC66)

在此手冊中，將使用下列標誌：



表示違反此手冊中的相關規定將可能造成的人身傷害、生命危險和設備損壞。



表明有觸電危險。



火災。

符合歐洲委員會標準聲明



D25102(K)/D25103K/D25104K/D25203K
得偉聲明本電動工具的設計符合以下標準：
98/37/EEC、89/336/EEC、73/23/EEC、
EN50144、EN55014-2、EN55014-1、EN61000-3-
2以及EN61000-3-3

請通過下面的地址聯系得偉，或參考此手冊背面資料獲取更加詳細的信息。

按照EN 50144標準測定的符合86/188/EEC標準及98/37/EEC標準的聲壓：

		D25102(K)	D25103K
L_{pA} (聲壓)	分貝*	90.5	90.5
L_{WA} (聲功率)	分貝	99	99

		D25104K
L_{pA} (聲壓)	分貝*	90.5
L_{WA} (聲功率)	分貝	99

*操作員耳朵附近值。



請採取適當的措施保護聽覺。

符合EN 50144標準的加速度加權均方根：

D25102(K)	D25103K	D25104K	D25203K
9.2 m/s ²	9.2 m/s ²	9.2 m/s ²	9.2 m/s ²

工程和產品開發主管

Horst Großmann

DEWALT, Richard-Klinger-Str. 11

D-65510, Idstein, 德國

安全指引

當使用電動工具時，請務必遵守貴國適用的有關安全規則，以避免火災、觸電和人身傷害的危險。

請在正式使用工具前仔細閱讀本手冊的全部內容。

請妥善保管本手冊，以備將來參考使用。

一般安全規則

1 工作場地

- 1) 保持工作場地清潔和明亮。混亂和黑暗的場地會引發事故。
- 2) 不要在易爆環境，如有易燃液體、氣體或粉塵的環境下操作電動工具。電動工具產生火花會點燃粉塵或氣體。
- 3) 讓兒童和旁觀者離開後操縱電動工具。分心會使你放鬆控制。

2 電器安全

- 1) 電動工具插頭必須與插座相配，絕不能以任何方式改裝插頭。需要接地的電動工具不能使用任何轉換插頭。未經改裝的插頭和相配的插座將減少觸電危險。
- 2) 避免人體接觸接地表面，如管道、散熱片和冰箱。如果你身體接地會增加觸電危險。
- 3) 不得將電動工具暴露在雨中或潮濕環境中。水進入電動工具將增加觸電危險。
- 4) 不得濫用電綫，絕不能用電綫搬運、拉動電動工具或拔出其插頭。讓電動工具遠離熱、油、銳邊或運動部件。受損或纏繞的電綫會增加觸電危險。
- 5) 當在戶外使用電動工具時，使用適合戶外使用的外接電綫。適合戶外使用的電綫將減少觸電危險。

3 人身安全

- 1) 保持警覺，當操作電動工具時關注所從事的操作并保持清醒。切勿在有疲倦、藥物、酒精或治療反應下操作電動工具。在操作電動工具期間精力分散會導致嚴重人身傷害。
- 2) 使用安全裝置。始終佩戴護目鏡。安全裝置，諸如適當條件下的防塵面具、防滑安全鞋、安全帽、聽力防護等裝置能減少人身傷害。
- 3) 避免突然啓動。確保開關在插入插頭時處於關斷位置。手指放在已接通電源的開關上或開關處於接通時插入插頭可能會導致危險。
- 4) 在電動工具接通之前，拿掉所有調節鑰匙或扳手。遺留的電動工具旋轉零件上的扳手或鑰匙會導致人身傷害。
- 5) 手不要伸得太長。時刻注意腳下和身體平衡。這樣在意外情況下也能很好地控制電動工具。
- 6) 着裝適當。不要穿寬松衣或佩帶飾品。讓你的頭髮、衣服和袖子遠離運動部件。寬松衣服、佩飾或長發可能會卷入運動部件。
- 7) 如果提供了與排屑裝置、集塵設備連接用的裝置，則確保他們連接完好且使用得當。使用這些裝置可減少碎屑引起的危險。

14 檢查受損部件

使用前應妥善檢查工具和電源線是否受損。檢查轉動部件是否卡住、有無對准，部件是否破損，防護裝置和開關是否有損壞以及其它任何可能影響作業的情況。確保該工具能正常工作并實現其額定性能。如果工具的任何部分受損或出現故障，或工具的開關失靈，禁止使用該工具作業。應將工具送往得偉授權的維修點進行維修，更換受損和故障部件。切勿嘗試自行維修工具。

15 拔出工具電源

在關掉電源，等到工具完全停止運轉后操作人員方可離開。在不使用工具時，更換工具部件、配件和附件之前及對其進行維護之前，應拔出工具電源。

16 避免意外開啓工具

攜帶工具時，請勿將手指置于開關上。插入電源前，請確定工具開關已經關好。

17 請勿濫用電源線

切勿用電源線提拉工具，拔出電源時，禁止拉扯電源線。使電源線遠離熱、油脂和鋒利物品。

18 保管閒置工具

工具不使用時，應放在兒童不易觸到的干燥地方鎖存起來。

19 妥善維護工具

保持工具的在干净和良好狀態，可提高其工作性能和安全性能。應嚴格按照本手冊中的相關規定進行工具維護和配件更換，并保持所有的手柄和開關干燥、清潔，避免觸及油脂類物質。

20 維修

本工具符合相應的安全標準。一旦出現故障，請將工具送往得偉授權的維修點進行維修。維修時須用原始備件，由專業人員進行。否則，可能對使用者造成人身危險。

套裝內容

該產品套裝包括：

- 重型旋轉式衝擊式電錘一臺
- 側面把手一個
- 深度調節杆一支
- 工具箱一個(僅適用於K型)
- 無鎖夾頭一個(D25104K型)
- 使用手冊一本

- 請仔細查看工具、部件和配件是否在運輸途中有所損傷。
- 使用工具前，請耐心閱讀、悉心理解本手冊。

您的得偉重型旋轉式衝擊式鑽機D25102(K)/D25103K/D25104K/D25203K的設計目的是，用于專業旋鑽和錘鑽，也可用于擰螺絲和輕型修琢、鑿和拆毀用途，還可用于硬合金頭空心鑽探。

- 1 可變速開關
- 2 鎖定按鈕 (D25103K/D25104K)
- 3 正轉/反轉
- 4 模式選擇器
- 5 安全鎖扣
- 6 夾頭槽口
- 7 防塵罩
- 8 鎖圈(D25104K)
- 9 深度調節杆
- 10 側面手柄
- 11 深度杆固定夾

轉矩限制離合器

所有旋轉式衝擊式鑽機都配有一個轉矩限制離合器，以降低鑽頭卡滯時傳遞給操作人員的最大轉矩反作用力。這一特點也可防止齒輪裝置和電動機停止轉動。轉矩限制離合器已由廠家設定，不可再作調整。

電氣安全

該電機只有一種工作電壓，請確認電源電壓同標牌上標明的電壓一致。



該工具根據EN50144標準設施雙重絕緣，因此不需要地線。

使用延長纜線

如果需要使用延長纜線，請使用符合該工具電源輸入規格(參見技術資料)的經核准的延長纜線。導線最小橫截面積為1.5 平方毫米。使用纜線卷筒時，應將纜線完全松開。

請參考以下表格。

纜線橫截面積(平方毫米)		纜線額定電流(安培)						
0.75		6						
1.00		10						
1.50		15						
2.50		20						
4.00		25						
		0						
		纜線長度(米)						
		7.5	15	25	30	45	60	
電壓	安培	纜線額定電流(安培)						
115	- 02.0	6	6	6	6	6	6	1
	2.1 - 3.4	6	6	6	6	6	15	15
	3.5 - 5.0	6	6	10	15	20	20	20
	5.1 - 7.0	10	10	15	20	20	25	25
	7.1 - 12.0	15	15	20	25	25	-	-
230	12.1 - 20.0	20	20	25	-	-	-	-
	0 - 2.0	6	6	6	6	6	6	6
	2.1 - 3.4	6	6	6	6	6	6	6
	3.5 - 5.0	6	6	6	6	10	15	15
	5.1 - 7.0	10	10	10	10	15	15	15
	7.1 - 12.0	15	15	15	15	20	20	20
	12.1 - 20.0	20	20	20	20	25	-	-

安裝及調試



安裝調試前請拔掉工具的電源線。

設定工作模式(圖B1及B2)

D25102(K) (圖B1)

本工具可以用于兩種工作模式。



旋鑽模式：用于擰螺絲以及鋼材、木材和塑料鑽孔。



錘鑽模式：用于混凝土和磚石鑽孔操作。

D25103K/D25104K/D25203K(圖B2)

本工具可以用于工作模式：



旋鑽模式：用于擰螺絲以及鋼材、木材和塑料鑽孔。



錘鑽模式：用于混凝土和磚石鑽孔操作。



純捶擊模式：用于輕型修琢、鑿以及拆毀等用途。

此種模式下，本工具還可用作杠杆，以撬起滯塞的鑽頭。



鑽頭旋轉模式：這是一種非工作模式，僅用于轉動平鑿，使之轉動至所需的位置。

- 要選擇操作模式，按下安全鎖(5)并轉動模式選擇開關(4)，直到使之指向所要求模式的符號。
- 松開安全鎖并檢查確保模式選擇開關鎖定在對應位置上。



不要在工具運轉時選擇操作模式。

確定鑿刀位置

鑿刀可以放置并鎖定在51個不同的位置上。

- 轉動模式選擇開關(4)直至它指向“鑽頭旋轉”的位置。
- 轉動鑿刀至想要的位置。
- 將模式選擇開關(4)轉到“純捶擊”的位置上。
- 扭轉鑿刀直至它鎖定在相應的位置上。

插入和去除SDS-plus® 附件(圖C)

本工具使用SDS-plus® 附件(請參閱圖B中的小圖，那裏提供了SDS-plus® 鈎柄的截面圖)。

我們推薦您僅使用專業配件。

- 清潔鈎柄并給其上潤滑油。
- 將鈎柄插入到槽口中(6)。
- 將鑽頭往下推，輕輕轉動它，直至其進入開槽中。
- 拉扯鑽頭，檢查其是否鎖定恰當。
撞擊功能要求鑽頭鎖定在刀夾中時能夠軸向移動幾個厘米。
- 要去除鑽頭，將夾頭(12)回按，并拉出鑽頭。

安裝側面手柄(圖D)

適當安裝側面手柄(10)，可以使之既適應於右撇子，又適應於左撇子。



使用鑽機時，切記將把手適當地裝配好。

- 擰松側面手柄。
- 對於右撇子用戶，將側面手柄夾鉗繞過夾頭后面的軸環，使手柄位於左側。
- 對於左撇子用戶，將側面手柄夾鉗繞過夾頭后面的軸環，使手柄位於右側。
- 將側面手柄旋轉到想要的位置，并將其擰緊。

設定鑽孔深度(圖E)

- 如上插入所要求的鑽頭。
- 按下深度杆固定夾鉗(11)并保持按下位置。
- 將深度調節杆(9)穿過深度杆固定夾鉗中的孔。
- 如圖所示調節鑽孔深度。
- 松開深度杆固定夾鉗。

正向/反向滑塊(圖F1及F2)

D25102(K)/D25103K/D25104K(圖F1)

- 將正向/反向滑塊(3)推到右手邊以便進行正向(右手)旋轉。請參考工具上的箭頭。
- 將正向/反向滑塊(3)推到左手邊以便進行反向(左手)旋轉。

D25203K(圖F2)

- 將正向/反向滑塊(3)推到左手邊以便進行正向(右手)旋轉。請參考工具上的箭頭。

- 將正向/反向滑塊(3)推到右手邊以便進行反向(左手)旋轉。



切記等到發動機完全停止才能改變旋轉方向。

D25102(K)/D25103K/D25203K

安裝夾頭連接器及夾頭

- 將夾頭旋進夾頭連接器帶螺紋的一端。
- 將連接好的夾頭和連接器作為一個標準的SDS-plus[®]鑽頭插入工具中。
- 需要拆除夾頭時，與拆除標準SDS-plus[®]鑽頭的操作相同。



千萬不要在錘鑽模式下使用標準夾頭。

D25104K-用夾頭替代夾頭(圖G)

- 將鎖圈(8)轉到開鎖位置，并將刀夾槽(6)拉出。
- 將夾頭(13)推到軸上，并將鎖圈轉到鎖定位置。
- 要將刀夾替代夾頭，首先以去除刀夾的方式去除夾頭，然后以放置夾頭的方式放置刀夾。



千萬不要在錘鑽模式下使用標準夾頭。

更換防塵罩(圖C)

防塵罩(7)防止灰塵進入機械內部。防塵罩破損應立即更換。

- 將刀夾鎖定套(12)拉回并拉出防塵罩(7)。
- 裝上新的防塵罩。
- 釋放刀夾鎖定套。

使用說明



- 請務必遵守安全說明和相關適用規則。

留意管道系統和布綫的位置。

給工具施加輕度的壓力(約5千克)。過度用力并不能加快鑽孔速度，反而會降低工具的工作表現，還可能縮短工具的使用壽命。

不要鑽得或推得太深，以免損壞防塵罩。

用雙手緊握工具，保證安全的站姿(圖H)。側面手柄恰當固定后再操作工作。

開關工具電源(圖A)

D25102(K)/D25103K/D25104K

- 要啓動工具，按下可變速開關(1)。施加給可變速開關的壓力大小，決定工具運行速度的快慢。
- 要持續操作，按住可變速開關，按下鎖定按鈕(2)并松開開關。
- 要停止工具，松開開關。
- 要讓連續工作的工具停止運行，快速按下開關并釋放之。切記在工作完成時和拔下插頭前關閉工具。

D25203K

- 要啓動工具，按下可變速開關(1)。施加給可變速開關的壓力大小，決定工具運行速度的快慢。
- 要停止工具，松開開關。
- 要在將工具鎖定在關閉狀態，將正向/反向滑塊(3)移到中間位置。

錘鑽(圖A)

用堅固鑽頭進行鑽孔

- 將模式選擇開關(4)設置到“錘鑽”的位置上。
- 插入合適的鑽頭。為達到最佳鑽孔效果，請使用高質量的頂部為硬質合金的鑽頭。
- 調整側面手柄(9)到相應的位置上。
- 如有必要，設置鑽孔深度。
- 標記要鑽孔的位置。
- 將鑽頭放置在要鑽孔的位置上，啓動工具。
- 切記工作完成后，在拔下插頭前，一定要關閉工具。

用取芯鑽頭進行鑽孔

- 將模式選擇開關(3)設置到“錘鑽”的位置上。
- 調整側面手柄(9)到相應的位置上。
- 插入合適的取芯鑽頭。
- 將中心孔鑽裝配到取芯鑽頭裏面。
- 將中心孔鑽放置在要鑽孔的位置上，按下可變速開關(1)，啓動鑽機進行鑽孔，直到孔鑽鑽入混凝土中大約一厘米深。
- 停止鑽孔，取出中心孔鑽。將取芯鑽頭放回孔中繼續鑽孔。
- 當要對一個厚度超過中心孔鑽深度的結構進行鑽孔時，需定期剝離鑽頭周圍的混凝土或清理鑽頭內芯。為避免在鑽孔周圍作不必要的混凝土剝離，可以先對要鑽孔的結構鑽透一個直徑為中心孔鑽的小孔，然後再在該結構的兩側各鑽入該結構厚度的一半深度。
- 切記工作完成后，在拔下插頭前，一定要關閉工具。

旋鑽(圖A)

- 將模式選擇開關(4)設置到“旋鑽”的位置上。
- 根據你的工具，遵守下列指引之一：
 - 安裝夾盤連接器/組件(D25102(K)/D25103K/D25203K)。
 - 用夾盤替換刀架(D25104K)。
- 如錘鑽中所描述的方式一般進行鑽孔。



在錘鑽模式中，切記不要使用標準夾盤。

擰螺絲(圖A)

- 將模式選擇器開關(4)設定到“旋鑽”位置。
- 選擇旋轉方向。
- 根據你的工具，遵守下列指引之一：
 - 插入專用的SDS-plus® 螺桿驅動連接器與六角螺絲起子頭一起使用(D25102(K)/D25103K/D25203K)。
 - 用夾盤替換刀夾(D25104K)。

- 插入合適的螺絲起子頭。
在使用開槽頭螺絲釘，須使用帶軸套的鑽頭。
- 輕輕按下可變速開關(1)以防損壞螺釘頭。當反向(左手)旋轉時，工具速度自動減慢，以便更簡單地取出螺釘。
- 當螺絲釘與工件齊平時，鬆開可變速開關以防螺釘頭刺入工件。



潤滑

您購買的電動工具無須額外的潤滑。

但是，對所使用的附件和配件必須定期在SDS-plus[®]裝配處周圍進行潤滑。



清潔

請保持通風口的干淨并經常用軟抹布清潔工具外殼。



廢棄工具與環境

將您廢棄的工具拿到授權的得偉維修點，他們會以對環境安全的方式處置您的工具。

D25103K/D25104K/D25203K--修琢與鑿(圖A)

- 將模式選擇開關(4)設置到“純捶擊”的位置上。
- 插入合適的鑿刀，用手旋轉之使之鎖定在51個位置中的一個上。
- 調整側面手柄(9)到相應的位置上。
- 啟動工具開始工作。
- 切記工作完成后，在拔下插頭前，一定要關閉工具。



- 不要將本工具用于攪拌或抽取易燃易爆液體(如：汽油、酒精等)。
- 不要混合或攪拌標示為可燃的液體。

我們還提供各種類型的SDS-plus[®]鑽頭和鑿刀可供選擇。

請聯系您的經銷商，征詢有關適當配件的進一步信息。

維護

您購買的得偉電動工具經過精心設計，具有壽命長、維修簡易的特點。持續理想的運作性能依賴于妥善保養和經常清潔。

- 本機器不可由用戶進行維護。使用大約40小時以后，您需要將工具交給授權的得偉維修點進行維護。如果在此之前出現問題，請聯絡授權的得偉維修點。
- 碳刷磨損時，工具會自動關閉。

廠商：百得捷克公司

廠址：捷克