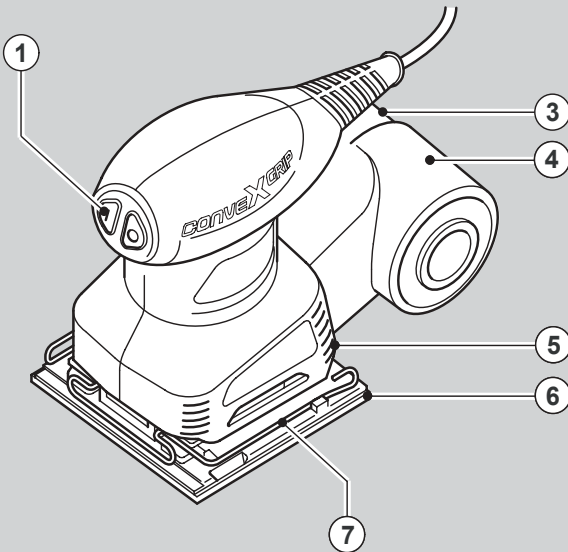
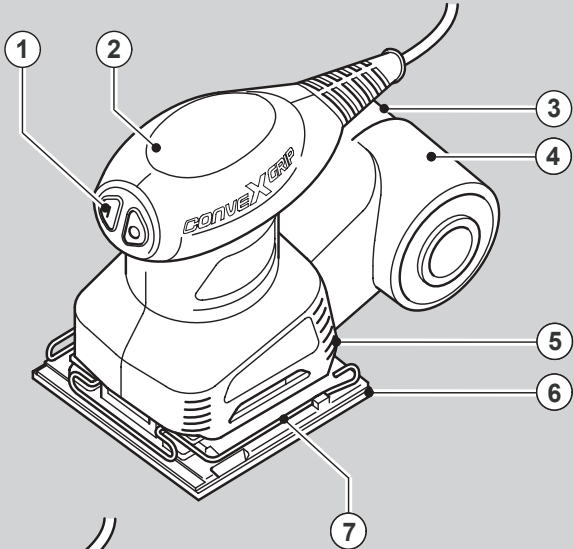


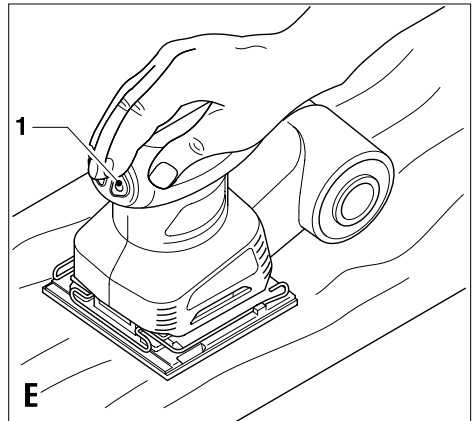
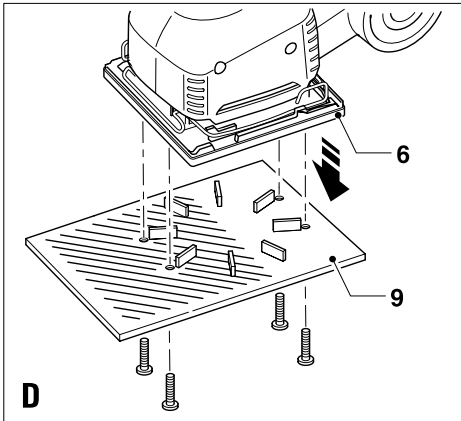
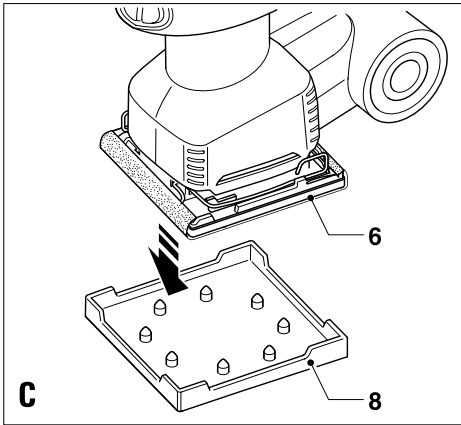
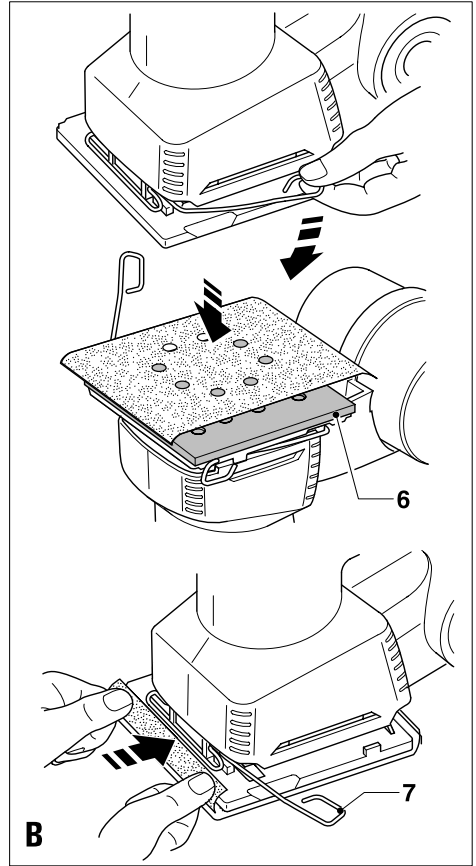
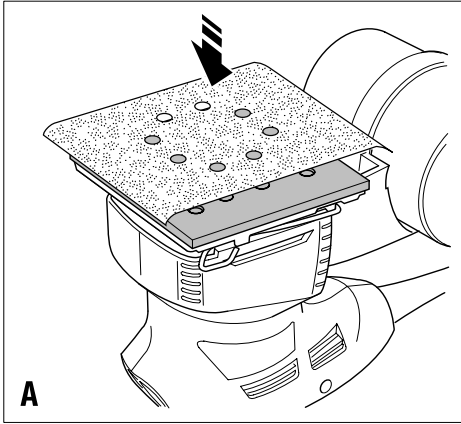


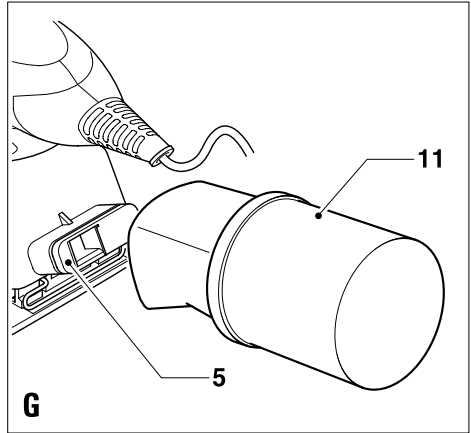
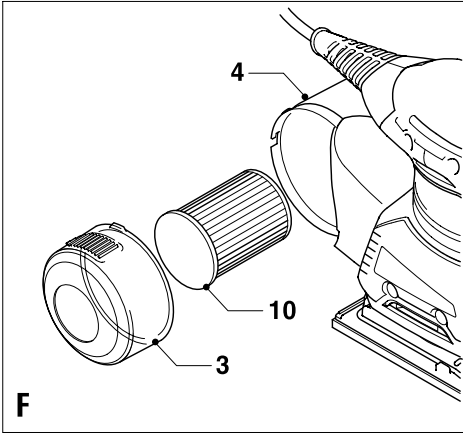
# BLACK & DECKER®

www.blackanddecker.com



English	4
Deutsch	8
Français	12
Italiano	16
Español	20
Nederlands	24
Português	28
Svenska	32
Norsk	36
Dansk	40
Suomi	44
Ελληνικά	48





## Intended use

Your Black & Decker sander has been designed for sanding wood, metal, plastics and painted surfaces. This tool is intended for consumer use only.

## Design and Patent information

European Patent EP1419856B1

GB Design No 3011677

## General safety rules

Read all instructions. Failure to follow all instructions listed below may result in electric shock, fire and/or serious injury. The term "power tool" in all of the warnings listed below refers to your mains operated (corded) power tool or battery operated (cordless) power tool. **SAVE THESE INSTRUCTIONS.**

### 1. Work area

- a. **Keep work area clean and well lit.** Cluttered and dark areas invite accidents.
- b. **Do not operate power tools in explosive atmospheres, such as in the presence of flammable liquids, gases or dust.** Power tools create sparks which may ignite the dust or fumes.
- c. **Keep children and bystanders away while operating a power tool.** Distractions can cause you to lose control.

### 2. Electrical safety

- a. **Power tool plugs must match the outlet. Never modify the plug in any way. Do not use any adapter plugs with earthed (grounded) power tools.** Unmodified plugs and matching outlets will reduce risk of electric shock.
- b. **Avoid body contact with earthed or grounded surfaces such as pipes, radiators, ranges and refrigerators.** There is an increased risk of electric shock if your body is earthed or grounded.
- c. **Do not expose power tools to rain or wet conditions.** Water entering a power tool will increase the risk of electric shock.
- d. **Do not abuse the cord. Never use the cord for carrying, pulling or unplugging the power tool. Keep cord away from heat, oil, sharp edges or moving parts.** Damaged or entangled cords increase the risk of electric shock.
- e. **When operating a power tool outdoors, use an extension cord suitable for outdoor use.** Use of a cord suitable for outdoor use reduces the risk of electric shock.

### 3. Personal safety

- a. **Stay alert, watch what you are doing and use common sense when operating a power tool. Do not use a power tool while you are tired or under the influence of drugs, alcohol or medication.** A moment of inattention

while operating power tools may result in serious personal injury.

- b. **Use safety equipment. Always wear eye protection.** Safety equipment such as dust mask, non-skid safety shoes, hard hat, or hearing protection used for appropriate conditions will reduce personal injuries.
  - c. **Avoid accidental starting. Make sure that the switch is in the off position before plugging in.** Carrying power tools with your finger on the switch or plugging in power tools that have the switch on invites accidents.
  - d. **Remove any adjusting key or wrench before turning the power tool on.** A wrench or a key left attached to a rotating part of the power tool may result in personal injury.
  - e. **Do not overreach. Keep proper footing and balance at all times.** This enables better control of the power tool in unexpected situations.
  - f. **Dress properly. Do not wear loose clothing or jewellery. Keep your hair, clothing and gloves away from moving parts.** Loose clothes, jewellery or long hair can be caught in moving parts.
  - g. **If devices are provided for the connection of dust extraction and collection facilities, make sure that these are connected and properly used.** Use of these devices can reduce dust related hazards.
- ### 4. Power tool use and care
- a. **Do not force the power tool. Use the correct power tool for your application.** The correct power tool will do the job better and safer at the rate for which it was designed.
  - b. **Do not use the power tool if the switch does not turn it on and off.** Any power tool that cannot be controlled with the switch is dangerous and must be repaired.
  - c. **Disconnect the plug from the power source before making any adjustments, changing accessories, or storing power tools.** Such preventive safety measures reduce the risk of starting the power tool accidentally.
  - d. **Store idle power tools out of the reach of children and do not allow persons unfamiliar with the power tool or these instructions to operate the power tool.** Power tools are dangerous in the hands of untrained users.
  - e. **Maintain power tools. Check for misalignment or binding of moving parts, breakage of parts and any other condition that may affect the power tools operation. If damaged, have the power tool repaired before use.** Many accidents are caused by poorly maintained power tools.
  - f. **Keep cutting tools sharp and clean.** Properly maintained cutting tools with sharp cutting edges are less likely to bind and are easier to control.
  - g. **Use the power tool, accessories and tool bits etc., in accordance with these instructions and in the manner intended for the particular type of power tool,**

**taking into account the working conditions and the work to be performed.** Use of the power tool for operations different from those intended could result in a hazardous situation.

## 5. Service

- a. Have your power tool serviced by a qualified repair person using only identical replacement parts.** This will make sure that the safety of the power tool is maintained.

### Addition safety instructions for sanders

- ◆ Always wear a dust mask whenever sanding.
- ◆ Thoroughly remove all dust after sanding.
- ◆ Take special care when sanding paint which is possibly lead based or when sanding some woods and metal which may produce toxic dust:
  - Wear a dust mask specifically designed for protection against lead paint dust and fumes and make sure that persons within or entering the work area are also protected.
  - Do not let children or pregnant women enter the work area.
  - Do not eat, drink or smoke in the work area.
  - Dispose of dust particles and any other debris safely.
- ◆ Before using the tool on wooden workpieces, make sure to fit the dust cassette.
- ◆ Before you use the tool on metal workpieces, make sure that you remove the dust cassette.
- ◆ Never use the tool without a sanding sheet.
- ◆ Never use the tool without a sanding base.
- ◆ This appliance is not intended for use by young or infirm persons without supervision. Children must be supervised to make sure that they do not play with the appliance.
- ◆ If the supply cord is damaged, it must be replaced by the manufacturer or an authorised Black & Decker Service Centre in order to avoid a hazard.

### Electrical safety



This tool is double insulated; therefore no earth wire is required. Always check that the power supply corresponds to the voltage on the rating plate.

### Features

1. On/off switch
2. Gel comfort grip (KA171GT only)
3. Cover
4. Dust cassette (KA171, KA171GT, KA171L)
5. Dust extraction outlet
6. Sanding base
7. Paper clamp lever
8. Paper punch
9. Louvre attachment (KA171L)
10. Filter
11. Dustbag

### Assembly

**Warning!** Before assembly, make sure that the tool is switched off and unplugged.

#### Fitting sanding sheets (fig. A & B)

**Warning!** Never use the tool without a sanding sheet or accessory in place.

#### Fitting sanding sheets with nylon loops (fig. A)

**Warning!** Make sure that the tool is switched off and unplugged.

- ◆ Press the sheet firmly and evenly onto the sanding base (6), making sure that the holes in the sheet line up with the holes in the base.

#### Fitting regular sanding sheets (fig. B)

**Warning!** Make sure that the tool is switched off and unplugged.

- ◆ Soften the sanding sheet by rubbing its non-abrasive side over the edge of a worktop.
- ◆ Press the paper clamp levers (7) upwards to release them from the retaining grooves and open the paper clamps (7) by pressing them down.
- ◆ Place the sheet onto the sanding base (6).
- ◆ Insert the edge of the sanding sheet into the front paper clamp (7) as shown.
- ◆ Press the front paper clamp lever (7) downwards and locate it in the retaining groove.
- ◆ While keeping a slight tension on the sheet, insert the rear edge of the sheet into the rear paper clamp (7).
- ◆ Press the rear paper clamp lever (7) downwards and locate it in the retaining groove.

#### Punching sanding sheets (fig. C)

The paper punch (8) is used for punching dust extraction holes in sanding sheets without pre-punched holes.

#### Fit a sanding sheet.

- ◆ Hold the tool in position right above the paper punch (8).

- ◆ Press the tool with the sanding base (6) down into the paper punch.
- ◆ Take the tool off the paper punch and check whether the holes in the sanding sheet have been fully pierced.

### Fitting and removing the dust cassette (fig. F) KA171, KA171GT, KA171L only

- ◆ Fit the dust cassette (4) over the dust extraction outlet (5).
- ◆ To remove the dust cassette (4), pull the dust cassette to the rear and off the outlet.

### Fitting and removing the dustbag (fig. G)

- ◆ Fit the dustbag (11) over the dust extraction outlet (5).
- ◆ To remove the dustbag, pull the dustbag to the rear and off the outlet.

### Louvre attachment (fig. D) KA171L only

With this attachment you can work in crevices and use the sanding base on both sides.

- ◆ Locate the front of the louvre attachment (9) onto the sanding base (6).
- ◆ Secure it in position with the four screws supplied.
- ◆ Place a 1/2 sheet to the underside of the louvre (9) base. Part of it will fold over the front part of the base.
- ◆ To remove the louvre attachment, reverse the procedure.

## Use

**Warning!** Let the tool work at its own pace.

**Warning!** Do not overload.

### Switching on and off (fig. E)

- ◆ To switch the tool on, press the part of the on/off switch (1) marked 'I'.
- ◆ To switch the tool off, press the part of the on/off switch (1) marked 'O'.

### Emptying the dust cassette (fig. F)

- ◆ The dust cassette (4) should be emptied every 10 minutes.
- ◆ Pull the dust cassette (4) to the rear and off the tool.
- ◆ Remove the cover (3) by twisting it counter-clockwise.
- ◆ Hold dust cassette with the filter (10) facing down and shake the cassette (4) to empty the contents.
- ◆ Shake the cover (3) to empty the contents.
- ◆ Refit the cover (3) onto the dust cassette (4), twisting it clockwise until it locks into place.
- ◆ Refit the dust cassette (4) onto the tool.

### Cleaning the dust cassette filter

**Warning!** Do not brush or use compressed air or sharp objects to clean the filter. Do not wash the filter.

- ◆ The dust cassette filter (10) is re-usable & should be cleaned regularly.
- ◆ Empty the dust cassette filter (10) as described above.

- ◆ Pull the filter (10) off the dust cassette (4). DO NOT TWIST THE FILTER.
- ◆ Shake off the excess dust by tapping the filter (10) into a dustbin.
- ◆ Replace the filter (10).
- ◆ Fit the cover (3).
- ◆ Fit the dust cassette (4) onto the tool.

### Emptying the dustbag

- ◆ The dustbag (11) should be emptied every 10 minutes.
- ◆ Shake the dustbag to empty the contents

### Hints for optimum use (fig. E)

- ◆ Do not place your hands over the ventilation slots.
- ◆ Do not exert too much pressure on the tool.
- ◆ Regularly check the condition of the sanding sheet. Replace when necessary.
- ◆ Always sand with the grain of the wood.
- ◆ When sanding new layers of paint before applying another layer, use extra fine grit.
- ◆ On very uneven surfaces, or when removing layers of paint, start with a coarse grit. On other surfaces, start with a medium grit. In both cases, gradually change to a fine grit for a smooth finish.
- ◆ Consult your retailer for more information on available accessories.

### Maintenance

- ◆ Your Black & Decker tool has been designed to operate over a long period of time with a minimum of maintenance. Continuous satisfactory operation depends upon proper tool care and regular cleaning.
- ◆ Before performing any maintenance, switch off and unplug the tool.
- ◆ Regularly clean the ventilation slots in your tool using a soft dry brush or dry cloth.
- ◆ Regularly clean the motor housing using a clean damp cloth. Do not use any abrasive or solvent-based cleaner.

### Protecting the environment



Should you find one day that your tool needs replacement, or if it is of no further use to you, think of the protection of the environment. Black & Decker repair agents will accept old Black & Decker tools and ensure that they are disposed of in an environmentally safe way.



Separate collection of used products and packaging allows materials to be recycled and used again. Re-use of recycled materials helps prevent environmental pollution and reduces the demand for raw materials.

Local regulations may provide for separate collection of electrical products from the household, at municipal waste sites or by the retailer when you purchase a new product.

Black & Decker provides a facility for the collection and recycling of Black & Decker products once they have reached the end of their working life. To take advantage of this service please return your product to any authorised repair agent who will collect them on our behalf.

You can check the location of your nearest authorised repair agent by contacting your local Black & Decker office at the address indicated in this manual. Alternatively, a list of authorised Black & Decker repair agents and full details of our after-sales service and contacts are available on the Internet at: [www.2helpU.com](http://www.2helpU.com).

**Technical data**

		KA171	KA171GT	KA171L
Voltage	Vac	230	230	230
Power input	W	200	200	200
Oscillations (no load)	min-1	15,000	15,000	15,000
Orbits (no load)	min-1	30,000	30,000	30,000
Weight	kg	1.5	1.5	1.5

**EC declaration of conformity**

KA171, KA171GT, KA171L

Black & Decker declares that these products conform to: 98/37/EC, 89/336/EEC, EN 60745, EN 55014, EN61000

LpA (sound pressure) 84.7 dB(A),

LWA (acoustic power) 95.7 dB(A),

hand/arm weighted vibration <5.0 m/s<sup>2</sup>

Kpa (sound pressure uncertainty 3 dB(A),

Kwa (sound power uncertainty 3 dB(A),



Kevin Hewitt  
 Director of Consumer Engineering  
 Spennymoor, County Durham  
 DL16 6JG,  
 United Kingdom  
 31-03-2006

subjected to fair wear and tear or replace such products to make sure of the minimum inconvenience to the customer unless:

- ◆ The product has been used for trade, professional or hire purposes.
- ◆ The product has been subjected to misuse or neglect.
- ◆ The product has sustained damage through foreign objects, substances or accidents.
- ◆ Repairs have been attempted by persons other than authorised repair agents or Black & Decker service staff.

To claim on the guarantee, you will need to submit proof of purchase to the seller or an authorised repair agent. You can check the location of your nearest authorised repair agent by contacting your local Black & Decker office at the address indicated in this manual. Alternatively, a list of authorised Black & Decker repair agents and full details of our after-sales service and contacts are available on the Internet at:

[www.2helpU.com](http://www.2helpU.com)

Please visit our website [www.blackanddecker.co.uk](http://www.blackanddecker.co.uk) to register your new Black & Decker product and to be kept up to date on new products and special offers. Further information on the Black & Decker brand and our range of products is available at [www.blackanddecker.co.uk](http://www.blackanddecker.co.uk).

**Guarantee**

Black & Decker is confident of the quality of its products and offers an outstanding guarantee. This guarantee statement is in addition to and in no way prejudices your statutory rights. The guarantee is valid within the territories of the Member States of the European Union and the European Free Trade Area.

If a Black & Decker product becomes defective due to faulty materials, workmanship or lack of conformity, within 24 months from the date of purchase, Black & Decker guarantees to replace defective parts, repair products

## Bestimmungsgemäße Verwendung

Ihr Black & Decker Schleifer wurde zum Schleifen von Holz, Metall, Kunststoff und lackierten Oberflächen entwickelt. Dieses Gerät ist nicht für den gewerblichen Einsatz vorgesehen.

### Patent- und Geschmacksmusterschutz

Europäisches Patent EP1419856B1  
Geschmacksmuster (GB): 3011677

## Allgemeine Sicherheitsregeln

Sämtliche Anweisungen sind zu lesen. Die Nichteinhaltung der nachstehend aufgeführten Anweisungen kann einen elektrischen Schlag, Brand und/oder schwere Verletzungen verursachen. Der nachfolgend verwendete Begriff „Gerät“ bezieht sich auf netzbetriebene Geräte (mit Netzkabel) und auf akkubetriebene Geräte (ohne Netzkabel). BEWAHREN SIE DIESE ANWEISUNGEN AUF.

### 1. Arbeitsbereich

- a. **Halten Sie Ihren Arbeitsbereich sauber und gut ausgeleuchtet.** Unordnung und dunkle Arbeitsbereiche können zu Unfällen führen.
- b. **Arbeiten Sie mit Geräten nicht in explosionsgefährdeter Umgebung, in der sich brennbare Flüssigkeiten, Gase oder Stäube befinden.** Geräte erzeugen Funken, die den Staub oder die Dämpfe entzünden können.
- c. **Halten Sie Kinder und andere Personen während der Benutzung des Gerätes fern.** Bei Ablenkung können Sie die Kontrolle verlieren.

### 2. Elektrische Sicherheit

- a. **Der Anschlussstecker des Gerätes muss in die Steckdose passen. Der Stecker darf in keiner Weise verändert werden. Verwenden Sie keine Adapterstecker gemeinsam mit geschützten Geräten.** Unveränderte Stecker und passende Steckdosen verringern das Risiko eines elektrischen Schlags.
- b. **Vermeiden Sie Körperkontakt mit geerdeten Oberflächen von Rohren, Heizungen, Herden und Kühlschränken.** Es besteht ein erhöhtes Risiko eines elektrischen Schlags, wenn Ihr Körper geerdet ist.
- c. **Halten Sie Geräte von Regen und Nässe fern.** Das Eindringen von Wasser in ein Gerät erhöht das Risiko eines elektrischen Schlags.
- d. **Missbrauchen Sie nicht das Kabel. Verwenden Sie das Kabel niemals zum Tragen, Ziehen oder Trennen des Gerätes vom Netz. Halten Sie das Kabel fern von Hitze, Öl, scharfen Kanten oder sich bewegenden Teilen.** Beschädigte oder verwickelte Kabel erhöhen das Risiko eines elektrischen Schlags.
- e. **Wenn Sie mit einem Gerät im Freien arbeiten, verwenden Sie nur Verlängerungskabel, die auch für den Außenbereich zugelassen sind.** Die Verwendung eines für den Außenbereich geeigneten Verlängerungskabels verringert das Risiko eines elektrischen Schlags.

### 3. Sicherheit von Personen

- a. **Seien Sie aufmerksam, achten Sie darauf, was Sie tun, und gehen Sie vernünftig mit einem Gerät um. Benutzen Sie das Gerät nicht, wenn Sie müde sind oder unter dem Einfluss von Drogen, Alkohol oder Medikamenten stehen.** Ein Moment der Unachtsamkeit beim Gebrauch von Geräten kann zu ernsthaften Verletzungen führen.
  - b. **Verwenden Sie Schutzausrüstung. Tragen Sie stets einen Augenschutz.** Schutzausrüstung wie Staubmaske, rutschfeste Sicherheitsschuhe, Schutzhelm oder Gehörschutz, je nach Art und Einsatz des Gerätes, verringert das Risiko von Verletzungen.
  - c. **Vermeiden Sie eine unbeabsichtigte Inbetriebnahme. Vergewissern Sie sich, dass das Gerät ausgeschaltet ist, bevor Sie es an das Stromnetz anschließen.** Durch das Tragen des Gerätes mit dem Finger am Schalter oder durch das Anschließen eingeschalteter Geräte werden Unfälle provoziert.
  - d. **Entfernen Sie Einstell- oder Schraubenschlüssel, bevor Sie das Gerät einschalten.** Ein Schlüssel, der sich in einem sich drehenden Teil befindet, kann zu Verletzungen führen.
  - e. **Strecken Sie sich nicht zu weit nach vorne. Achten Sie jederzeit auf einen sicheren Stand, und halten Sie jederzeit das Gleichgewicht.** Dadurch können Sie das Gerät in unerwarteten Situationen besser unter Kontrolle halten.
  - f. **Tragen Sie geeignete Kleidung. Tragen Sie keine weite Kleidung oder Schmuck. Halten Sie Haare, Kleidung und Handschuhe fern von sich bewegenden Teilen.** Lockere Kleidung, Schmuck oder lange Haare können von sich bewegenden Teilen erfasst werden.
  - g. **Falls Staubabsaug- und Staubfangvorrichtungen vorhanden sind, vergewissern Sie sich, dass diese angeschlossen sind und richtig verwendet werden.** Das Verwenden dieser Einrichtungen verringert Gefährdungen durch Staub.
- ### 4. Gebrauch und Pflege von Geräten
- a. **Überlasten Sie das Gerät nicht. Verwenden Sie für Ihre Arbeit das dafür bestimmte Gerät.** Mit dem passenden Gerät arbeiten Sie besser und sicherer im angegebenen Leistungsbereich.
  - b. **Benutzen Sie kein Gerät, dessen Schalter defekt ist.** Ein Gerät, das sich nicht mehr ein- oder ausschalten lässt, ist gefährlich und muss repariert werden.
  - c. **Ziehen Sie den Stecker aus der Steckdose, bevor Sie Einstellungen vornehmen, Zubehörteile wechseln oder das Gerät weglegen.** Diese Vorsichtsmaßnahme verhindert den unbeabsichtigten Start des Gerätes.
  - d. **Bewahren Sie unbenutzte Geräte außerhalb der Reichweite von Kindern auf. Lassen Sie Geräte nicht von Personen benutzen, die damit nicht vertraut sind oder diese Anweisungen nicht gelesen haben.** Geräte sind gefährlich, wenn Sie von unerfahrenen Personen benutzt werden.



- e. Halten Sie Geräte in einem einwandfreien Zustand. Kontrollieren Sie, ob bewegliche Teile falsch ausgerichtet sind oder klemmen und ob Teile gebrochen oder so beschädigt sind, dass die Funktion des Gerätes beeinträchtigt ist. Lassen Sie beschädigte Geräte vor dem Gebrauch reparieren.** Viele Unfälle haben ihre Ursache in schlecht gewarteten Geräten.
- f. Halten Sie Schneidgeräte scharf und sauber.** Sorgfältig gepflegte Schneidgeräte mit scharfen Schneidkanten verklemmen sich weniger und sind leichter zu führen.
- g. Verwenden Sie Gerät, Zubehör, Einsatz-Bits usw. entsprechend diesen Anweisungen und so, wie es für diesen speziellen Gerätetyp vorgeschrieben ist. Berücksichtigen Sie dabei die Arbeitsbedingungen und die auszuführende Arbeit.** Der Gebrauch von Geräten für andere als die vorgesehenen Anwendungen kann zu gefährlichen Situationen führen.
- 5. Service**
- a. Lassen Sie Ihr Gerät nur von qualifiziertem Fachpersonal und nur mit Original-Ersatzteilen reparieren.** Damit wird gewährleistet, dass die Sicherheit des Gerätes erhalten bleibt.

#### Zusätzliche Sicherheitshinweise für Schleifgeräte

- ◆ Tragen Sie beim Schleifen stets eine Staubmaske.
- ◆ Entfernen Sie nach dem Schleifen sorgfältig alle Staubreste.
- ◆ Treffen Sie beim Schleifen von möglicherweise bleihaltiger Farbe oder von bestimmten Holz- und Metallarten, die giftigen Staub bilden können, besondere Maßnahmen:
  - Tragen Sie eine speziell für den Schutz vor Stäuben und Dämpfen von bleihaltiger Farbe vorgesehene Staubmaske, und stellen Sie sicher, dass auch andere Personen geschützt sind, die den Arbeitsplatz betreten oder sich dort aufhalten.
  - Verhindern Sie, dass Kinder oder Schwangere den Arbeitsplatz betreten.
  - Essen, trinken und rauchen Sie nicht am Arbeitsplatz.
  - Entsorgen Sie Staubteilchen und andere Schleifabfälle auf sachgerechte Weise.
- ◆ Stellen Sie vor der Verwendung des Gerätes zum Schleifen von Werkstücken aus Holz sicher, dass die Staubfangkassette eingesetzt ist.
- ◆ Stellen Sie vor der Verwendung des Gerätes zum Schleifen von Werkstücken aus Metall sicher, dass die Staubfangkassette entfernt ist.
- ◆ Verwenden Sie das Gerät niemals ohne Schleifblatt.
- ◆ Verwenden Sie das Gerät niemals ohne Schleifplatte.
- ◆ Das Gerät ist nicht für die unbeaufsichtigte Verwendung durch Kinder oder gebrechliche Personen vorgesehen. Kinder müssen beaufsichtigt werden, um sicherzustellen, dass sie nicht mit dem Gerät spielen.
- ◆ Ist das Netzkabel beschädigt, muss es durch den Hersteller oder eine Black & Decker Vertragswerkstatt ausgetauscht werden, um eine mögliche Gefährdung zu vermeiden.

#### Elektrische Sicherheit



Dieses Gerät ist schutzisoliert, daher ist keine Erdleitung erforderlich. Überprüfen Sie immer, ob die Netzspannung der auf dem Typenschild des Gerätes angegebenen Spannung entspricht.

#### Merkmale

1. Ein-/Aus-Schalter
2. Softgriff (nur KA171GT)
3. Abdeckung
4. Staubfangkassette (KA171, KA171GT, KA171L)
5. Staubabsaugöffnung
6. Schleifplatte
7. Papierspannhebel
8. Papierlochstanzer
9. Lamellenschleifaufsatz (KA171L)
10. Filter
11. Staubbeutel

#### Montage

**Achtung!** Vergewissern Sie sich vor der Montage, dass das Gerät ausgeschaltet ist und dass der Netzstecker gezogen wurde.

#### Anbringen der Schleifblätter (Abb. A und B)

**Achtung!** Verwenden Sie das Gerät nur mit einem Schleifblatt oder anderem Zubehör.

#### Anbringen der Schleifblätter mit Nylonschlaufen (Abb. A)

**Achtung!** Vergewissern Sie sich, dass das Gerät ausgeschaltet ist und dass der Netzstecker gezogen wurde.

- ◆ Richten Sie das Schleifblatt auf der Schleifplatte (6) aus, und drücken Sie es fest. Achten Sie dabei darauf, dass die Löcher im Schleifblatt mit den Löchern in der Schleifplatte fluchten.

#### Anbringen der Standardschleifblätter (Abb. B)

**Achtung!** Vergewissern Sie sich, dass das Gerät ausgeschaltet ist und dass der Netzstecker gezogen wurde.

- ◆ Machen Sie das Schleifblatt geschmeidig, indem Sie es mit der kornlosen Seite mehrmals über die Kante einer Arbeitsplatte streifen.
- ◆ Drücken Sie die Papierspannhebel (7) nach oben, um sie aus den Haltekerben zu lösen, und öffnen Sie die Papierklemmen (7), indem Sie sie nach unten drücken.
- ◆ Legen Sie das Blatt auf die Schleifplatte (6) auf.
- ◆ Führen Sie das Ende des Schleifblattes wie abgebildet in die vordere Papierklemme (7) ein.
- ◆ Drücken Sie den vorderen Papierspannhebel (7) nach unten in die Haltekerbe.
- ◆ Spannen Sie das hintere Ende des Schleifblattes mit leichtem Zug in die hintere Papierklemme (7).
- ◆ Drücken Sie den hinteren Papierspannhebel (7) nach unten in die Haltekerbe.

#### Stanzen der Schleifblätter (Abb. C)

Mit dem Papierlochstanzer (8) lassen sich Löcher zur Staubabsaugung in Schleifblätter stanzen, die nicht vorgestanz sind.

## Befestigen Sie ein Schleifblatt.

- ◆ Halten Sie das Gerät direkt über den Papierlochstanzer (8).
- ◆ Drücken Sie das Gerät mit der Schleifplatte (6) in den Papierlochstanzer.
- ◆ Nehmen Sie das Gerät vom Papierlochstanzer, und überprüfen Sie, ob die Löcher vollständig in das Schleifblatt gestanzt wurden.

## Anbringen und Abnehmen der Staubfangkassette (Abb. F, nur KA171, KA171GT, KA171L)

- ◆ Bringen Sie die Staubfangkassette (4) über der Staubabsaugöffnung an (5).
- ◆ Zum Entfernen der Staubfangkassette (4) ziehen Sie diese von der Öffnung nach hinten ab.

## Anbringen und Entfernen des Staubbeutels (Abb. G)

- ◆ Bringen Sie den Staubbeutel (11) über der Staubabsaugöffnung an (5).
- ◆ Zum Entfernen des Staubbeutels ziehen Sie den Staubbeutel von der Öffnung nach hinten ab.

## Lamellenschleifaufsatz (Abb. D, nur KA171L)

Mit dem Lamellenschleifaufsatz können Sie auch in Spalten arbeiten und die Schleifplatte beidseitig nutzen.

- ◆ Richten Sie die Vorderseite des Lamellenschleifaufsatzes (9) auf der Schleifplatte (6) aus.
- ◆ Fixieren Sie den Lamellenschleifaufsatz mithilfe der vier mitgelieferten Schrauben.
- ◆ Bringen Sie ein halbes Blatt an der Unterseite des Lamellenschleifaufsatzes an (9). Ein Teil des Blattes wird über den vorderen Teil der Platte gefaltet.
- ◆ Zum Abnehmen des Lamellenschleifaufsatzes führen Sie diese Schritte in umgekehrter Reihenfolge aus.

## Gebrauch

**Achtung!** Beschleunigen Sie den Arbeitsvorgang nicht mit Gewalt.  
**Achtung!** Vermeiden Sie eine Überlastung des Gerätes.

## Ein- und Ausschalten (Abb. E)

- ◆ Zum Einschalten des Gerätes drücken Sie auf den mit „I“ gekennzeichneten Teil des Ein-/Ausschalters (1).
- ◆ Zum Ausschalten des Gerätes drücken Sie auf den mit „0“ gekennzeichneten Teil des Ein-/Ausschalters (1).

## Entleeren der Staubfangkassette (Abb. F)

- ◆ Die Staubfangkassette (4) muss während des Betriebs alle 10 Minuten entleert werden.
- ◆ Ziehen Sie die Staubfangkassette (4) nach hinten und vom Gerät ab.
- ◆ Entfernen Sie die Abdeckung (3) durch Drehen gegen den Uhrzeigersinn.
- ◆ Halten Sie die Staubfangkassette mit dem Filter (10) nach unten. Schütteln Sie die Kassette (4), um sie zu entleeren.
- ◆ Schütteln Sie die Abdeckung (3), um sie zu entleeren.
- ◆ Bringen Sie die Abdeckung (3) wieder an der Staubfangkassette (4) an. Drehen Sie sie dazu im Uhrzeigersinn, bis sie einrastet.
- ◆ Bringen Sie die Staubfangkassette (4) wieder am Gerät an.

## Reinigen des Staubfangkassettenfilters

**Achtung!** Reinigen Sie den Filter nicht mit einer Bürste, einem scharfen Gegenstand oder mit Druckluft. Verwenden Sie zur Reinigung keine Flüssigkeiten.

- ◆ Der Staubfangkassettenfilter (10) ist wieder verwendbar und muss regelmäßig gereinigt werden.
- ◆ Leeren Sie die Staubfangkassette mit dem Filter (10), wie oben beschrieben.
- ◆ Ziehen Sie den Filter (10) von der Staubfangkassette (4) ab. **DREHEN SIE DEN FILTER NICHT.**
- ◆ Entfernen Sie anhaftenden Staub, indem Sie den Filter (10) gegen die Innenseite eines Abfalleimers klopfen.
- ◆ Bringen Sie den Filter (10) wieder an.
- ◆ Bringen Sie die Abdeckung (3) wieder an.
- ◆ Bringen Sie die Staubfangkassette (4) wieder am Gerät an.

## Entleeren des Staubbeutels

- ◆ Der Staubbeutel (11) muss während des Betriebs alle 10 Minuten entleert werden.
- ◆ Schütteln Sie den Beutel, um ihn zu entleeren.

## Hinweise für optimale Arbeitsergebnisse (Abb. E)

- ◆ Legen Sie die Hände nicht auf die Lüftungsschlitze.
- ◆ Üben Sie keinen zu großen Druck auf das Gerät aus.
- ◆ Überprüfen Sie regelmäßig den Zustand des Schleifblattes. Tauschen Sie es bei Bedarf aus.
- ◆ Schleifen Sie immer in Richtung der Holzmaserung.
- ◆ Zum Schleifen frischer Farbschichten vor dem Auftragen weiterer Schichten verwenden Sie sehr feines Schleifpapier.
- ◆ Auf sehr unebenen Oberflächen sowie zum Entfernen alter Farbschichten verwenden Sie zunächst grobes Schleifpapier. Auf anderen Oberflächen verwenden Sie zunächst mittelgrobes Schleifpapier. In beiden Fällen wechseln Sie nach einiger Zeit auf feines Schleifpapier, damit Sie eine sehr glatte Oberfläche erhalten.
- ◆ Wenden Sie sich für weitere Informationen über Zubehör an Ihren Händler.

## Wartung

- ◆ Ihr Black & Decker Gerät wurde im Hinblick auf eine lange Lebensdauer und einen möglichst geringen Wartungsaufwand entwickelt. Ein dauerhafter, einwandfreier Betrieb setzt eine regelmäßige Pflege und Reinigung voraus.
- ◆ Schalten Sie das Gerät vor der Durchführung von Pflege-, Reinigungs- und Wartungsarbeiten aus, und ziehen Sie den Netzstecker.
- ◆ Reinigen Sie regelmäßig die Lüftungsschlitze im Gerät mit Hilfe einer weichen trockenen Bürste oder eines trockenen Tuches.
- ◆ Reinigen Sie regelmäßig das Motorgehäuse mit Hilfe eines sauberen, feuchten Tuches. Verwenden Sie keine scheuernden Reinigungsmittel oder Reinigungsmittel auf Lösungsmittelbasis.

## Umweltschutz



Sollten Sie das Gerät eines Tages durch ein neues Gerät ersetzen möchten oder keine Verwendung mehr dafür haben, denken Sie bitte an den Schutz der Umwelt. Black & Decker nimmt Ihre ausgedienten Black & Decker Geräte gern zurück und sorgt für eine umweltgerechte Entsorgung.



Durch die separate Sammlung von ausgedienten Produkten und Verpackungsmaterialien können Rohstoffe recycelt und wiederverwendet werden. Die Wiederverwendung aufbereiteter Materialien trägt zur Vermeidung der Umweltverschmutzung bei und senkt den Rohstoffbedarf.

Die Abfallentsorgungssatzung Ihrer Gemeinde sieht möglicherweise vor, dass Elektrogeräte getrennt vom Hausmüll gesammelt, an der örtlichen Abfallentsorgungseinrichtung abgegeben oder beim Kauf eines neuen Produkts vom Fachhandel zur Entsorgung angenommen werden müssen.

Black & Decker nimmt Ihre ausgedienten Black & Decker-Geräte gern zurück und sorgt für eine umweltfreundliche Entsorgung bzw. Wiederverwertung. Um diese Dienstleistung in Anspruch zu nehmen, geben Sie das Gerät bitte bei einer autorisierten Reparaturwerkstatt ab, die für uns die Einsammlung übernimmt.

Die Adresse der zuständigen Niederlassung von Black & Decker steht in dieser Anleitung. Diese teilt Ihnen gerne die nächstgelegene Vertragswerkstatt mit. Außerdem ist eine Liste der Vertragswerkstätten und aller Kundendienststellen von Black & Decker sowie der zuständigen Ansprechpartner im Internet zu finden unter: [www.2helpU.com](http://www.2helpU.com).

#### Technische Daten

	KA171	KA171GT	KA171L
Spannung	V AC 230	230	230
Leistungsaufnahme	W 200	200	200
Schwingungen (lastfrei)	min <sup>-1</sup> 15.000	15.000	15.000
Umläufe (lastfrei)	min <sup>-1</sup> 30.000	30.000	30.000
Gewicht	kg 1,5	1,5	1,5

#### EU-Konformitätserklärung

KA171, KA171GT, KA171L

Black & Decker erklärt, dass diese Produkte den folgenden Normen entsprechen:

98/37/EG, 89/336/EWG, EN 60745, EN 55014, EN 61000

LpA (Schalldruck): 84,7 dB(A),

LWA (Schallleistung) 95,7 dB(A),

gewichtete Hand-/Armvibrationen: <5,0 m/s<sup>2</sup>

Kpa (Schalldruck-Unsicherheitsfaktor): 3 dB(A)

Kwa (Schallleistungs-Unsicherheitsfaktor): 3 dB(A)

Kevin Hewitt  
 Director of Consumer Engineering  
 Spennymoor, County Durham  
 DL16 6JG,  
 Vereinigtes Königreich  
 31.03.2006

#### Garantie

Black & Decker vertraut auf die Qualität der eigenen Geräte und bietet dem Käufer eine außergewöhnliche Garantie. Diese Garantiezusage versteht sich unbeschadet der gesetzlichen Gewährleistungsansprüche und schränkt diese keinesfalls ein. Sie gilt in sämtlichen Mitgliedsstaaten der Europäischen Union und der Europäischen Freihandelszone EFTA.

Tritt innerhalb von 24 Monaten ab Kaufdatum an einem Gerät von Black & Decker ein auf Material- oder Verarbeitungsfehler zurückzuführender Mangel auf, garantiert Black & Decker den Austausch defekter Teile, die Reparatur von Geräten mit üblichem Verschleiß bzw. den Austausch eines mangelhaften Gerätes, ohne den Kunden dabei mehr als unbedingt nötig in Anspruch zu nehmen, allerdings vorbehaltlich folgender Ausnahmen:

- ◆ wenn das Gerät gewerblich, beruflich oder im Verleihgeschäft benutzt wurde;
- ◆ wenn das Gerät missbräuchlich verwendet oder mit mangelnder Sorgfalt behandelt wurde;
- ◆ wenn das Gerät durch irgendwelche Fremdeinwirkung beschädigt wurde;
- ◆ wenn ein unbefugter Reparaturversuch durch anderes Personal als das einer Vertragswerkstatt oder des Black & Decker-Kundendienstes unternommen wurde.

Zur Inanspruchnahme dieser Garantie ist dem Verkäufer bzw. der Vertragswerkstatt ein Kaufnachweis vorzulegen. Die Adresse der zuständigen Niederlassung von Black & Decker steht in dieser Anleitung. Diese teilt Ihnen gerne die nächstgelegene Vertragswerkstatt mit. Außerdem ist eine Liste der Vertragswerkstätten und aller Kundendienststellen von Black & Decker sowie der zuständigen Ansprechpartner im Internet zu finden unter: [www.2helpU.com](http://www.2helpU.com)

Bitte besuchen Sie unsere Webseite

[www.blackanddecker.de](http://www.blackanddecker.de), um Ihr neues Black & Decker-Produkt zu registrieren und über neue Produkte und Sonderangebote informiert zu werden. Weitere Informationen über die Marke Black & Decker und unsere Produkte finden Sie unter [www.blackanddecker.de](http://www.blackanddecker.de).

## Utilisation

Votre ponceuse Black & Decker a été spécialement conçue pour poncer le bois, le métal, le plastique et les surfaces peintes. Cet outil a été conçu pour une utilisation exclusivement domestique.

### Conception et brevet

Brevet européen EP1419856B1

Conception GB No 3011677

## Consignes générales de sécurité

Lisez toutes les instructions. Le non-respect des instructions indiquées ci-dessous peut entraîner une électrocution, un incendie et/ou de graves blessures. La notion d' « outil électroportatif » mentionnée par la suite se rapporte à des outils électriques raccordés au secteur (avec câble de raccordement) ou fonctionnant sur piles (sans fil). **GARDEZ PRÉCIEUSEMENT CES CONSIGNES DE SÉCURITÉ.**

### 1. Aire de travail

#### a. Maintenez la zone de travail propre et bien éclairée.

Un lieu de travail en désordre ou mal éclairé augmente le risque d'accidents.

#### b. N'utilisez pas les outils électroportatifs dans un environnement présentant des risques d'explosion, ni en présence de liquides, gaz ou poussières inflammables.

Les outils électroportatifs génèrent des étincelles risquant d'enflammer les poussières ou les vapeurs.

#### c. Tenez les enfants et autres personnes éloignés durant l'utilisation de l'outil électroportatif.

En cas d'inattention, vous risquez de perdre le contrôle sur l'appareil.

### 2. Sécurité électrique

#### a. La fiche de secteur de l'outil électroportatif doit convenir à la prise de courant. Ne modifiez en aucun cas la fiche. N'utilisez pas de fiches d'adaptateur avec des appareils ayant une prise de terre.

Les fiches non modifiées et les prises de courant appropriées réduisent le risque de choc électrique.

#### b. Évitez le contact physique avec des surfaces mises à la terre telles que tuyaux, radiateurs, fours et réfrigérateurs.

Il y a un risque élevé de choc électrique si votre corps est relié à la terre.

#### c. N'exposez pas l'outil électroportatif à la pluie ni à l'humidité.

La pénétration d'eau dans un outil électroportatif augmente le risque de choc électrique.

#### d. Préservez le câble d'alimentation. N'utilisez pas le câble à d'autres fins que celles prévues, n'utilisez pas le câble pour porter l'outil, pour l'accrocher ou encore pour le débrancher de la prise de courant. Maintenez le câble éloigné des sources de chaleurs, des parties grasses, des bords tranchants et des parties de l'appareil en rotation.

Un câble endommagé ou enchevêtré augmente le risque de choc électrique.

#### e. Si vous utilisez l'outil électroportatif à l'extérieur, utilisez une rallonge homologuée pour utilisation à l'air

libre. L'utilisation d'une rallonge électrique homologuée pour les applications extérieures réduit le risque de choc électrique.

### 3. Sécurité personnelle

#### a. Restez vigilant. Faites preuve de bon sens quand vous utilisez l'outil électroportatif. Si vous êtes fatigué, si vous avez un traitement médical, si vous avez consommé de l'alcool ou pris des médicaments, n'utilisez pas cet outil.

Un moment d'inattention pendant la manipulation de l'outil peut entraîner de graves blessures.

#### b. Portez des équipements de protection. Portez toujours des lunettes de protection.

Le port d'équipements de protection personnelle tels que masque anti-poussières, chaussures de sécurité antidérapantes, casque ou protection auditive, selon le travail à effectuer, réduit le risque de blessures.

#### c. Restez vigilant ; l'outil peut se mettre en marche accidentellement. Avant de brancher l'appareil, vérifiez que l'interrupteur est sur la position arrêt.

Porter des appareils électriques en maintenant le doigt sur l'interrupteur ou les brancher avec l'interrupteur activé (on) représente un risque d'accident.

#### d. Enlevez tout outil ou clé de réglage avant de mettre l'appareil en marche.

Une clé ou un outil se trouvant sur une partie en rotation peut causer des blessures.

#### e. Installez-vous confortablement. Adoptez une position stable et gardez votre équilibre à tout moment.

Le contrôle de l'outil sera plus facile à garder.

#### f. Portez des vêtements appropriés. Ne pas porter de vêtements flottants ou de bijoux. N'approchez pas les cheveux, vêtements ou gants des parties de l'appareil en rotation.

Les vêtements amples, les bijoux ou les cheveux longs peuvent être attrapés dans les pièces en mouvement.

#### g. Si des dispositifs servant à aspirer ou à recueillir les poussières doivent être utilisés, raccordez-les et utilisez-les correctement.

L'utilisation de tels dispositifs réduit les dangers dus aux poussières.

### 4. Utilisation des outils électroportatifs et précautions

#### a. Ne surchargez pas l'outil. Utilisez l'outil électroportatif approprié pour le travail à effectuer.

Avec l'outil électroportatif approprié, vous travaillerez mieux et avec plus de sécurité à la vitesse pour laquelle il a été conçu.

#### b. N'utilisez pas un outil électroportatif dont l'interrupteur est défectueux.

Un outil électroportatif qui ne peut plus être mis en ou hors fonctionnement est dangereux et doit être réparé.

#### c. Retirez la fiche de la prise de courant avant d'effectuer des réglages sur l'outil, de changer les accessoires ou de ranger l'appareil.

Cette mesure de précaution empêche une mise en marche par mégarde.

#### d. Rangez les outils électroportatifs hors de portée des enfants. En aucun cas, les personnes ne connaissant pas l'outil ou n'ayant pas lu ces instructions ne doivent l'utiliser.

Les outils électroportatifs sont dangereux lorsqu'ils sont utilisés par des personnes non initiées.

- e. **Prenez soin des outils électroportatifs. Vérifiez que les parties en mouvement fonctionnent correctement et qu'elles ne sont pas coincées ; vérifiez qu'il n'y a pas de pièces cassées ou endommagées susceptibles de nuire au bon fonctionnement de l'outil. S'il est endommagé, faites réparer l'outil avant de l'utiliser.** De nombreux accidents sont dus à des outils électroportatifs mal entretenus.
- f. **Maintenez les outils de coupe aiguisés et propres.** Des outils soigneusement entretenus avec des bords tranchants bien aiguisés se coincent moins souvent et peuvent être guidés plus facilement.
- g. **Utilisez les outils électroportatifs, les accessoires, les outils à monter, etc..., en respectant ces instructions et en conformité avec ce type d'outils. Tenez compte également des conditions de travail et du travail à effectuer.** L'utilisation des outils électroportatifs à d'autres fins que celles prévues peut être dangereuse.

## 5. Réparations

- a. **Faites réparer votre outil électroportatif uniquement par du personnel qualifié et seulement avec des pièces de rechange d'origine.** La fiabilité de l'outil sera ainsi maintenue.

### Instructions supplémentaires pour ponceuses - sécurité

- ◆ Portez toujours un masque anti-poussières lorsque vous poncez.
- ◆ Enlevez soigneusement toute poussière après le ponçage.
- ◆ Faites spécialement attention lorsque vous poncez de la peinture pouvant être à base de plomb ou lorsque vous poncez des bois et des métaux pouvant produire de la poussière toxique :
  - Portez un masque contre la poussière spécialement conçu pour vous protéger de la peinture au plomb, des sciures et des fumées toxiques. Veillez à ce que les personnes se trouvant à l'intérieur de la zone de travail ou y pénétrant soient également protégées.
  - Ne laissez pas les enfants ou les femmes enceintes entrer dans la zone de travail.
  - Ne mangez pas, ne buvez pas ou ne fumez pas dans la zone de travail.
  - Nettoyez l'outil de toutes particules de poussière et autres débris.
- ◆ Avant d'utiliser l'outil sur des pièces en bois, n'oubliez pas d'installer le collecteur de poussière.
- ◆ Avant d'utiliser l'outil sur des pièces métalliques, n'oubliez pas de retirer le collecteur de poussière.
- ◆ N'utilisez jamais l'outil sans feuille abrasive.
- ◆ N'utilisez jamais l'outil sans plateau de ponçage.
- ◆ Cet appareil n'est pas destiné à être utilisé par des personnes jeunes ou déficientes sans surveillance. Ne laissez pas des enfants jouer sans surveillance près de l'appareil.

- ◆ Si le câble d'alimentation est endommagé, il doit être remplacé par le fabricant ou par un Centre de réparation agréé Black&Decker pour éviter tout risque.

### Sécurité électrique



L'outil est doublement isolé ; par conséquent, aucun câble de masse n'est nécessaire. Vérifiez si le voltage mentionné sur la plaque signalétique de la machine correspond bien à la tension de réseau présente sur le lieu.

### Caractéristiques

1. Interrupteur marche/arrêt
2. Poignée confort maximum (KA171GT uniquement)
3. Couvercle
4. Collecteur de poussière (KA171, KA171GT, KA171L)
5. Sortie de refoulement de poussière
6. Plateau de ponçage
7. Dispositif de blocage du papier
8. Perforateur
9. Accessoires de ponçage pour petits travaux (KA171L)
10. Filtre
11. Sac à poussière

### Assemblage

**Attention !** Avant l'assemblage, assurez-vous que l'outil est éteint et débranché.

### Mise en place des feuilles abrasives (figures A et B)

**Attention !** N'utilisez jamais l'outil sans une feuille abrasive ou l'accessoire en place.

### Mise en place des feuilles abrasives avec les fils de nylon (figure A)

**Attention !** Assurez-vous que l'outil est éteint et débranché.

- ◆ Appuyez fermement et régulièrement la feuille abrasive sur le plateau de ponçage (6). Assurez-vous que les trous de la feuille sont alignés à ceux du plateau de ponçage.

### Mise en place des feuilles abrasives normales (figure B)

**Attention !** Assurez-vous que l'outil est éteint et débranché.

- ◆ Assouplissez la feuille abrasive en frottant le côté non abrasif sur le bord d'un plan de travail.
- ◆ Tirez les pinces de blocage du papier (7) vers le haut, puis dégagez-les des rainures. Ouvrez ensuite les pinces (7) en appuyant vers le bas.
- ◆ Placez la feuille sur le plateau de ponçage (6).
- ◆ Insérez le bord de la feuille abrasive dans la pince avant (7), comme indiqué.
- ◆ Appuyez sur la pince de blocage avant (7) vers le bas et fixez-la dans la rainure.
- ◆ Tout en maintenant une légère tension sur la feuille, insérez le bord arrière de la feuille dans la pince arrière (7).
- ◆ Appuyez sur la pince de blocage arrière (7) vers le bas et fixez-la dans la rainure.

## Perforation des feuilles abrasives (figure C)

Le perforateur (8) est utilisé pour percer des trous d'évacuation de poussière dans les feuilles abrasives qui ne sont pas pré-perforées.

### Installation d'une feuille abrasive.

- ◆ Maintenez l'outil au dessus du perforateur (8).
- ◆ Poussiez le plateau de ponçage (6) dans le perforateur.
- ◆ Retirez l'outil du perforateur et vérifiez si les trous dans la feuille abrasive sont correctement percés.

### Installation et retrait du collecteur de poussière (figure F) KA171, KA171GT, KA171L uniquement

- ◆ Installez le collecteur de poussière (4) sur la sortie de refoulement de poussière (5).
- ◆ Pour retirer le collecteur de poussière (4), tirez-le vers l'arrière et hors de la sortie.

### Mise en place et retrait du sac à poussière (figure G)

- ◆ Installez le sac à poussière (11) sur la sortie de refoulement de poussière (5).
- ◆ Pour retirer le sac à poussière, tirez-le vers l'arrière et hors de la sortie de refoulement de poussière.

### Accessoire pour ponçage pour petits travaux (figure D) KA171L uniquement

Grâce à cet accessoire, vous pouvez poncer dans des rainures et utiliser les deux côtés du plateau de ponçage.

- ◆ Montez l'avant de l'accessoire (9) sur le plateau de ponçage (6).
- ◆ Fixez-le avec les quatre vis fournies.
- ◆ Placez la moitié d'une feuille sous la base de l'accessoire (9). Une partie de cette feuille recouvre la partie avant du plateau.
- ◆ Pour retirer l'accessoire de ponçage pour petits travaux, exécutez la procédure inverse.

## Utilisation

**Attention !** Laissez l'outil fonctionner à sa propre vitesse.

**Attention !** Ne le surchargez pas.

### Mise en marche et arrêt (figure E)

- ◆ Pour mettre l'outil en marche, appuyez sur le « 1 » de l'interrupteur marche/arrêt (1).
- ◆ Pour éteindre l'outil, appuyez sur le « 0 » de l'interrupteur marche/arrêt (1).

### Vidage du collecteur de poussière (figure F)

- ◆ Après avoir été utilisé 10 minutes, le collecteur de poussière (4) doit être vidé.
- ◆ Tirez le collecteur de poussière (4) vers l'arrière et enlevez-le de l'outil.
- ◆ Retirez le couvercle (3) en le tournant dans le sens contraire des aiguilles d'une montre.
- ◆ Tenez le collecteur de poussière (4) avec le filtre (10) orienté vers le bas et secouez-le pour en vider le contenu.
- ◆ Secouez le couvercle (3) pour le vider.
- ◆ Remontez le couvercle (3) sur le collecteur de poussière (4), en le tournant dans le sens des aiguilles d'une montre jusqu'à ce qu'il soit fixé.
- ◆ Remontez le collecteur de poussière (4) sur l'outil.

## Nettoyage du filtre du collecteur de poussière

**Attention !** Ne nettoyez pas le filtre avec de l'air comprimé, une brosse ou des objets pointus. Ne lavez pas le filtre.

- ◆ Le filtre du collecteur de poussière (10) est réutilisable et doit être nettoyé régulièrement.
- ◆ Videz le filtre du collecteur de poussière (10), comme décrit ci-dessus.
- ◆ Sortez le filtre (10) du collecteur de poussière (4). NE TOURNER LE FILTRE.
- ◆ Secouez l'excès de poussière en tapant le filtre (10) au dessus d'une poubelle.
- ◆ Remontez le filtre (10).
- ◆ Installez le couvercle (3).
- ◆ Montez le collecteur de poussière (4) sur l'outil.

### Vidage du sac à poussière

- ◆ Après avoir utilisé la ponceuse pendant 10 minutes, videz le sac à poussière (11).
- ◆ Secouez le sac à poussière pour le vider.

### Conseils d'utilisation (figure E)

- ◆ Ne placez pas vos mains sur les orifices de ventilation.
- ◆ N'exercez pas trop de pression sur l'outil.
- ◆ Vérifiez régulièrement l'état de la feuille abrasive. Remplacez-la lorsque cela s'avère nécessaire.
- ◆ Poncez toujours avec le grain correspondant au bois.
- ◆ Lorsque vous ponchez de nouvelles couches de peinture avant d'en appliquer une autre, utilisez un abrasif extra fin.
- ◆ Pour les surfaces irrégulières ou lorsque vous enlevez des couches de peinture, commencez par un abrasif à gros grains. Sur d'autres surfaces, commencez avec un abrasif moyen. Dans les deux cas, changez graduellement de grain et passez à un abrasif fin pour une finition douce.
- ◆ Renseignez-vous auprès de votre revendeur pour connaître les accessoires disponibles.

## Entretien

- ◆ Votre outil Black&Decker a été conçu pour fonctionner pendant longtemps avec un minimum d'entretien. Un fonctionnement continu satisfaisant dépend d'un nettoyage régulier et d'un entretien approprié de l'outil.
- ◆ Préalablement à toute opération d'entretien, éteignez et débranchez l'outil.
- ◆ Nettoyez régulièrement les orifices de ventilation de votre outil à l'aide d'une brosse douce et sèche ou d'un chiffon sec.
- ◆ Nettoyez régulièrement le compartiment du moteur à l'aide d'un chiffon humide et propre. N'utilisez pas de produit abrasif ou à base de solvant.

## Protection de l'environnement



Si vous pensez un jour que votre outil doit être remplacé ou que vous n'en avez plus l'usage, songez à la protection de l'environnement. Les réparateurs agréés Black & Decker peuvent récupérer les anciens appareils Black&Decker et les mettre au rebut en conformité avec la protection de l'environnement.



La collecte séparée des produits et des emballages usagés permet de recycler et de réutiliser des matériaux. La réutilisation de matériaux recyclés évite la pollution de l'environnement et réduit la demande de matières premières.

Des réglementations locales peuvent stipuler la collecte séparée des produits électriques et des produits ménagers, dans des déchetteries municipales ou par le revendeur lorsque vous achetez un nouveau produit.

Black & Decker fournit un dispositif permettant de recycler les produits Black & Decker lorsqu'ils ont atteint la fin de leur cycle de vie. Pour pouvoir profiter de ce service, veuillez retourner votre produit à un réparateur agréé qui se chargera de le collecter pour nous.

Pour connaître l'adresse du réparateur agréé le plus proche de chez vous, contactez le bureau Black & Decker à l'adresse indiquée dans ce manuel. Vous pourrez aussi trouver une liste de réparateurs agréés de Black & Decker et de plus amples détails concernant notre service après-vente sur le site Internet : [www.2helpU.com](http://www.2helpU.com).

#### Caractéristiques techniques

		KA171	KA171GT	KA171L
Tension	V c.a.	230	230	230
Puissance absorbée	W	200	200	200
Oscillations (sans charge)	Par minute	15,000	15,000	15,000
Orbites (sans charge)	Par minute	30 000	30 000	30 000
Poids	kg	1,5	1,5	1,5

#### Déclaration de conformité CE

KA171, KA171GT, KA171L

Black&Decker déclare que ces produits sont conformes à :  
98/37/CE, 89/336/CEE, EN 60745, EN 55014, EN61000

LpA (pression sonore) 84,7 dB(A),

LWA (puissance acoustique) 95,7 dB(A),

poinds de la vibration sur la main/bras <5,0 m/s<sup>2</sup>

Kpa (incertitude de la pression sonore) 3dB(A),

Kwa (incertitude de la puissance acoustique) 3 dB(A),

Kevin Hewitt  
Directeur Ingénierie Client  
Spennymoor, County Durham  
DL16 6JG,  
Royaume-Uni  
31-03-2006

#### Garantie

Black & Decker vous assure la qualité de ses produits et vous offre une garantie très étendue. Ce certificat de garantie est un document supplémentaire et ne peut en aucun cas se substituer à vos droits légaux. La garantie est valable sur tout le territoire des États Membres de l'Union Européenne et de la Zone de Libre Échange Européenne.

Si un produit Black & Decker s'avère défectueux en raison de matériaux en mauvais état, d'une erreur humaine, ou d'un manque de conformité dans les 24 mois suivant la date d'achat, Black & Decker garantit le remplacement des pièces défectueuses, la réparation des produits usés ou cassés ou remplace ces produits à la convenance du client, sauf dans les circonstances suivantes :

- ◆ Le produit a été utilisé dans un but commercial, professionnel, ou a été loué.
- ◆ Le produit a été mal utilisé ou avec négligence.
- ◆ Le produit a subi des dommages à cause de corps étrangers, de substances ou d'accidents.
- ◆ Des réparations ont été tentées par des techniciens ne faisant pas partie du service technique de Black & Decker.

Pour avoir recours à la garantie, il est nécessaire de fournir une preuve d'achat au vendeur ou à un réparateur agréé.

Pour connaître l'adresse du réparateur agréé le plus proche de chez vous, contactez le bureau Black&Decker à l'adresse indiquée dans ce manuel. Vous pourrez aussi trouver une liste de réparateurs agréés de Black&Decker et de plus amples détails sur notre service après-vente sur le site Internet à l'adresse suivante : [www.2helpU.com](http://www.2helpU.com)

Visitez notre site Web [www.blackanddecker.co.uk](http://www.blackanddecker.co.uk) pour enregistrer votre nouveau produit Black&Decker et être informé des nouveaux produits et des offres spéciales. Pour plus d'informations concernant la marque Black & Decker et notre gamme de produits, consultez notre site [www.blackanddecker.co.uk](http://www.blackanddecker.co.uk).

## Uso previsto

La levigatrice Black & Decker è stata progettata per levigare superfici in legno, metallo, plastica e verniciate. L'elettrotensile è stato progettato solo per un uso individuale.

## Informazioni su design e brevetto

Brevetto Europeo EP1419856B1

Design GB N. 3011677

## Norme generiche di sicurezza

Leggere tutte le istruzioni. La mancata osservanza delle presenti istruzioni potrebbe causare scosse elettriche, incendi e/o infortuni gravi. Il termine "elettrotensile" che ricorre in tutte le avvertenze seguenti si riferisce ad utensili elettrici con o senza filo.

CONSERVARE QUESTE ISTRUZIONI.

### 1. Area di lavoro

#### a. Mantenere pulita e bene illuminata l'area di lavoro.

Il disordine e la scarsa illuminazione possono causare incidenti.

#### b. Evitare d'impiegare gli elettrotensili in ambienti esposti al rischio di esplosione, ad esempio in presenza di liquidi, gas o polveri infiammabili.

Gli elettrotensili producono scintille che possono far incendiare la polvere o i fumi.

#### c. Mantenere lontani bambini e osservatori mentre si usa l'elettrotensile. Eventuali distrazioni possono comportare la perdita del controllo dell'elettrotensile.

### 2. Sicurezza elettrica

#### a. La spina elettrica deve essere adatta alla presa. Evitare assolutamente di alterare la spina. Non impiegare spine adattatrici con elettrotensili provvisti di messa a terra. L'uso di spine inalterate e delle prese corrispondenti riduce il rischio di scosse elettriche.

#### b. Evitare il contatto fisico con superfici collegate a terra, come tubi, radiatori, forni e frigoriferi: un corpo collegato a terra è esposto maggiormente al rischio di scosse elettriche.

#### c. Custodire gli elettrotensili al riparo dalla pioggia o dall'umidità. L'eventuale infiltrazione di acqua in un elettrotensile va ad aumentare il rischio di scosse elettriche.

#### d. Non esporre il cavo a sollecitazioni. Non usare il cavo per trasportare o trainare l'elettrotensile e non tirarlo per estrarre la spina dalla presa di corrente. Mantenere il cavo al riparo dal calore, da bordi taglienti e/o da parti in movimento. I cavi danneggiati o aggrovigliati aumentano il rischio di scosse elettriche.

#### e. Se l'elettrotensile viene adoperato all'aperto, usare esclusivamente prolunghe omologate per l'impiego all'esterno. Un cavo adatto per uso esterno riduce il rischio di scosse elettriche.

### 3. Sicurezza delle persone

#### a. È importante concentrarsi su ciò che si sta facendo e maneggiare con giudizio l'elettrotensile. Non adoperare l'elettrotensile se si è stanchi o

sotto l'effetto di stupefacenti, alcol o farmaci. Un attimo di distrazione può causare gravi infortuni personali.

#### b. Indossare sempre un equipaggiamento protettivo.

**Indossare sempre degli occhiali di sicurezza.** Se si avrà cura d'indossare l'equipaggiamento protettivo come necessario - ad esempio una maschera antipolvere, delle calzature antiscivolo, un casco o delle otoprotezioni - si riduce il rischio di infortuni.

#### c. Evitare l'accensione involontaria dell'elettrotensile.

**Prima d'inserire la spina nella presa, controllare che l'interruttore sia spento.** Per non esporsi al rischio d'incidenti, non trasportare gli elettrotensili tenendo il dito sull'interruttore oppure, se sono collegati all'alimentazione, con l'interruttore regolato su acceso.

#### d. Prima di accendere un elettrotensile, togliere eventuali chiavi o attrezzi di regolazione. Un utensile o una chiave inglese lasciati in un componente mobile dell'elettrotensile potranno causare lesioni.

#### e. Non sporgersi. Mantenere sempre un buon equilibrio evitando posizioni malsicure. In questo modo è possibile controllare meglio l'elettrotensile in situazioni inaspettate.

#### f. Vestirsi adeguatamente. Evitare di indossare indumenti larghi o gioielli. Tenere capelli, vestiti e guanti lontani da pezzi in movimento. Vestiti larghi, gioielli o capelli lunghi potranno impigliarsi nei componenti in movimento.

#### g. Se gli utensili sono provvisti di attacchi per il collegamento di dispositivi di aspirazione o di raccolta della polvere, assicurarsi che questi siano installati e utilizzati correttamente. L'impiego dei suddetti dispositivi diminuisce i rischi correlati alle polveri.

### 4. Uso e cura degli elettrotensili

#### a. Non sovraccaricare l'elettrotensile. Usare l'elettrotensile adatto per il lavoro da eseguire.

Utilizzando l'elettrotensile adatto si potrà lavorare meglio e con maggiore sicurezza alla potenza nominale prevista.

#### b. Non utilizzare elettrotensili con interruttori difettosi.

#### c. Un elettrotensile che non può essere controllato mediante l'interruttore è pericoloso e deve essere riparato.

#### d. Estrarre la spina dalla presa di corrente prima di regolare l'elettrotensile, di sostituire gli accessori o di riporre l'elettrotensile. Queste precauzioni di sicurezza riducono la possibilità che l'elettrotensile venga messo in funzione inavvertitamente.

#### e. Quando non vengono usati, gli elettrotensili vanno custoditi fuori della portata dei bambini. Non consentire l'uso dell'elettrotensile a persone inesperte o che non abbiano letto le presenti istruzioni, onde evitare pericoli.

#### f. Sottoporre gli elettrotensili alle procedure di manutenzione del caso. Verificare che le parti mobili siano bene allineate e non s'incepino, che non ci siano componenti rotti e/o non sussistano altre condizioni che possano compromettere il funzionamento dell'elettrotensile. Eventuali guasti vanno riparati prima dell'uso. La scarsa manutenzione causa molti incidenti.



**g. Mantenere affilati e puliti gli strumenti da taglio.**

Se sottoposti alla giusta manutenzione, gli strumenti da taglio con taglienti affilati s'incepiscono meno frequentemente e sono più facili da manovrare.

**h. Utilizzare l'elettrotensile, gli accessori, le punte ecc. in conformità delle presenti istruzioni e secondo la specifica destinazione prevista, tenendo conto delle condizioni di lavoro e del lavoro da completare.**

L'impiego degli elettrotensili per usi diversi da quelli consentiti può dar luogo a situazioni pericolose.

**5. Riparazioni****a. Fare riparare l'elettrotensile solo ed esclusivamente da personale specializzato e solo impiegando pezzi di ricambio originali, onde non alterarne la sicurezza.****Ulteriori precauzioni di sicurezza per le levigatrici**

- ◆ Indossare sempre una mascherina antipolvere durante l'utilizzo della levigatrice.
- ◆ Dopo la levigatura, rimuovere tutta la polvere.
- ◆ Fare molta attenzione quando si levigano vernici che probabilmente contengono il piombo come componente di base o quando si levigano certi legni e metalli la cui polvere può essere tossica:
  - Indossare una mascherina antipolvere specifica per polveri e fumi di vernice a base di piombo e controllare che anche le persone presenti o in arrivo nell'area di lavoro siano adeguatamente protette.
  - Vietare l'ingresso nell'area di lavoro a bambini o a donne in gravidanza.
  - Non mangiare, bere o fumare nell'area di lavoro.
  - Eliminare la polvere e i rifiuti prendendo le necessarie misure di sicurezza.
- ◆ Prima di utilizzare l'elettrotensile su pezzi in legno, verificare di aver montato la cassetta di raccolta della polvere.
- ◆ Prima di utilizzare l'elettrotensile su pezzi in metallo, verificare di aver rimosso la cassetta di raccolta della polvere.
- ◆ Non utilizzare mai l'elettrotensile senza un foglio di carta vetrata.
- ◆ Non utilizzare mai l'elettrotensile senza base di levigatura.
- ◆ L'utilizzo di questo elettrotensile non è destinato a ragazzi o persone inferme senza supervisione. Tenere d'occhio i bambini per accertarsi che non giochino con l'elettrotensile.
- ◆ In caso di danneggiamento del cavo di alimentazione, è necessario farlo riparare dal fabbricante o presso un centro assistenza Black & Decker autorizzato in modo da evitare eventuali pericoli.

**Sicurezza elettrica**

Il doppio isolamento di cui è provvisto l'elettrotensile rende superfluo il filo di terra. Controllare sempre che l'alimentazione corrisponda alla tensione indicata sulla targhetta delle caratteristiche.

**Caratteristiche**

1. Interruttore di accensione
2. Impugnatura morbida e confortevole (solo KA171GT)
3. Coperchio
4. Cassetta raccolta polvere (KA171, KA171GT, KA171L)
5. Apertura d'estrazione polvere
6. Base di levigatura
7. Leva di bloccaggio carta
8. Perforatore carta
9. Punta basculante (KA171L)
10. Filtro
11. Sacchetto di raccolta polvere

**Assemblaggio**

**Attenzione!** Prima di montarlo assicuratevi che l'elettrotensile sia spento e disinserito.

**Montaggio dei fogli di carta vetrata (figg. A e B)**

**Attenzione!** Non utilizzare mai l'elettrotensile senza foglio di carta vetrata o senza che l'accessorio sia montato.

**Montaggio dei fogli di carta vetrata con occhielli in nylon (fig. A)**

**Attenzione!** Assicurarsi che l'elettrotensile sia spento e disinserito.

- ◆ Posizionare la carta saldamente e in modo uniforme sulla base di levigatura (6), verificando che i fori presenti sul foglio siano allineati con quelli della base.

**Montaggio dei fogli di carta vetrata standard (fig. B)**

**Attenzione!** Assicurarsi che l'elettrotensile sia spento e disinserito.

- ◆ Ammorbidire i fogli di carta vetrata strofinando la parte non abrasiva sul bordo di una superficie di lavoro.
- ◆ Spingere verso l'alto le leve di bloccaggio (7) della carta per liberarle dalle scanalature di bloccaggio e aprire i fermi della carta (7) spingendoli verso il basso.
- ◆ Posizionare il foglio sulla base di levigatura (6).
- ◆ Inserire il bordo del foglio di carta vetrata nel fermo anteriore della carta (7) come indicato.
- ◆ Spingere verso il basso la leva anteriore di bloccaggio della carta (7) e posizionarla nella scanalatura di bloccaggio.
- ◆ Tendendo leggermente il foglio inserirne il bordo posteriore nel fermo posteriore della carta (7).
- ◆ Spingere verso il basso la leva anteriore di bloccaggio della carta (7) e posizionarla nella scanalatura di bloccaggio.

**Perforazione dei fogli di carta vetrata (fig. C)**

Il perforatore per la carta (8) viene utilizzato per perforare i fori di estrazione della polvere nei fogli di carta vetrata senza fori pre-perforati.

**Posizionare un foglio di carta vetrata.**

- ◆ Tenere l'elettrotensile verticalmente sopra il perforatore della carta (8).

- ◆ Spingere l'elettrotensile con la base di levigatura (6) rivolta verso il basso nel perforatore della carta.
- ◆ Togliere l'elettrotensile dal perforatore della carta e verificare se i fori nel foglio di carta vetrata sono stati perforati correttamente.

## Montaggio e rimozione della cassetta di raccolta della polvere (fig. F) - Solo KA171, KA171GT, KA171L

- ◆ Montare la cassetta di raccolta della polvere (4) sull'apertura d'estrazione della polvere (5).
- ◆ Per rimuovere la cassetta di raccolta della polvere (4) tirarla indietro e staccarla dall'apertura di estrazione.

## Montaggio e rimozione del sacchetto di raccolta della polvere (fig. G)

- ◆ Applicare il sacchetto di raccolta polvere (11) sull'apertura d'estrazione della polvere (5).
- ◆ Per rimuovere il sacchetto di raccolta della polvere tirarlo indietro e staccarlo dall'apertura di estrazione.

## Punta basculante (fig. D) - Solo KA171L

Con questa punta basculante è possibile eseguire la levigatura in fessure utilizzando entrambi i lati della base di levigatura.

- ◆ Centrare la parte anteriore della punta basculante (9) sulla base di levigatura (6).
- ◆ Fissarla in sede con le quattro viti fornite.
- ◆ Mettere mezzo foglio sulla parte inferiore della base della punta basculante (9). Parte del foglio si piegherà sulla parte anteriore della base.
- ◆ Per staccare la punta basculante, eseguire in ordine inverso la procedura.

## Utilizzo

**Attenzione!** Lasciare che l'elettrotensile funzioni al suo ritmo.

**Attenzione!** Non sovraccaricare l'elettrotensile.

## Accensione e spegnimento (fig. E)

- ◆ Per accendere l'elettrotensile, premere la parte dell'interruttore acceso/spento (1) contrassegnata da "I".
- ◆ Per spegnere l'elettrotensile, premere la parte dell'interruttore acceso/spento (1) contrassegnata da "O".

## Svuotamento della cassetta di raccolta della polvere (fig. F)

- ◆ La cassetta di raccolta della polvere (4) deve essere svuotata ogni 10 minuti.
- ◆ Tirare ed estrarre la cassetta di raccolta della polvere (4) dalla parte posteriore dell'elettrotensile.
- ◆ Togliere il coperchio (3) ruotandolo in senso antiorario.
- ◆ Tenendo la cassetta di raccolta della polvere (4) con il filtro (10) rivolto verso il basso, scuoterla per svuotarla del contenuto.
- ◆ Scuotere il coperchio (3) per svuotare il contenuto.
- ◆ Rimontare il coperchio (3) sulla cassetta di raccolta della polvere (4), ruotandolo in senso orario fino a quando si blocca in sede.

- ◆ Rimontare la cassetta di raccolta della polvere (4) nell'elettrotensile.

## Pulitura del filtro della cassetta di raccolta della polvere

**Attenzione!** Non spazzolare e non usare aria compressa o oggetti taglienti per pulire il filtro. Non lavare il filtro.

- ◆ Il filtro della cassetta di raccolta della polvere (10) è riutilizzabile e deve essere lavato regolarmente.
- ◆ Svuotare il filtro della cassetta di raccolta della polvere (10) come descritto qui sopra.
- ◆ Estrarre il filtro (10) dalla cassetta di raccolta della polvere (4). **NON DEFORMARE IL FILTRO.**
- ◆ Scuotere via la polvere in eccesso picchiando leggermente il filtro (10) in un bidone della spazzatura.
- ◆ Sostituire il filtro (10).
- ◆ Montare il coperchio (3).
- ◆ Montare la cassetta di raccolta della polvere (4) nell'elettrotensile.

## Svuotamento del sacchetto di raccolta polvere

- ◆ Il sacchetto di raccolta della polvere (11) deve essere svuotato ogni 10 minuti.
- ◆ Scuotere il sacchetto di raccolta della polvere per svuotarlo dal contenuto

## Suggerimenti per un ottimo utilizzo (fig. E)

- ◆ Non mettere le mani sulle prese di ventilazione.
- ◆ Non esercitare una pressione eccessiva sull'elettrotensile.
- ◆ Verificare regolarmente lo stato del foglio di carta vetrata. Sostituirlo quando è necessario.
- ◆ Levigare sempre usando una grana analoga a quella del legno.
- ◆ Quando si levigano strati di vernice nuova, adoperare carta a grana fine prima di applicare lo strato successivo di vernice.
- ◆ Su superfici rugose, o quando si rimuovono degli strati di vernice, iniziare a levigare con carta abrasiva a grana grossa. Su superfici di altro tipo, cominciare con una grana media. In entrambi i casi, per ottenere una rifinitura omogenea passare gradualmente a una grana sottile.
- ◆ Consultare il rivenditore per ulteriori informazioni sugli accessori disponibili.

## Manutenzione

- ◆ Questo elettrotensile Black & Decker è stato progettato per funzionare a lungo con un minimo di manutenzione. Per ottenere prestazioni sempre soddisfacenti occorre avere cura dell'elettrotensile e sottoporlo a manutenzione periodica.
- ◆ Prima di eseguire interventi di manutenzione, spegnere l'elettrotensile ed estrarre la spina dalla presa di corrente.
- ◆ Le prese di ventilazione dell'elettrotensile devono essere pulite regolarmente con un pennello o un panno morbido e asciutto.

- ◆ Il vano del motore deve essere pulito regolarmente con un panno pulito e umido. Non usare materiali abrasivi o detergenti a base di solventi.

## Protezione dell'ambiente



Nel caso in cui l'elettrotensile non sia più necessario, è possibile restituirlo ai tecnici Black & Decker che provvederanno a smaltirlo in modo sicuro per l'ambiente.



La raccolta differenziata dei prodotti e degli imballaggi utilizzati consente il riciclaggio dei materiali e il loro continuo utilizzo. Il riutilizzo dei materiali riciclati favorisce la protezione dell'ambiente prevenendo l'inquinamento e riduce il fabbisogno di materie prime.

Seguire la regolamentazione locale per la raccolta differenziata dei prodotti elettrici che può prevedere punti di raccolta o la consegna dell'elettrodomestico al rivenditore presso il quale viene acquistato un nuovo prodotto.

Black & Decker offre ai suoi clienti la possibilità di riciclare i prodotti Black & Decker che hanno esaurito la loro vita di servizio. Per usufruire di tale servizio, è sufficiente restituire il prodotto a qualsiasi tecnico autorizzato, incaricato della raccolta per conto dell'azienda.

Per individuare il tecnico autorizzato più vicino, rivolgersi alla sede Black & Decker locale, presso il recapito indicato nel presente manuale. In alternativa, un elenco completo di tutti i tecnici autorizzati Black & Decker e i dettagli completi sui contatti e i servizi post-vendita sono disponibili su Internet presso:

**www.2helpU.com.**

### Dati tecnici

	KA171	KA171GT	KA171L
Tensione	V C.A. 230	230	230
Potenza assorbita	W 200	200	200
Oscillazioni (senza carico)	min-1 15.000	15.000	15.000
Rotazioni (senza carico)	min-1 30.000	30.000	30.000
Peso	kg 1,5	1,5	1,5

## Dichiarazione CE di conformità

KA171, KA171GT, KA171L

Black & Decker dichiara che i presenti prodotti sono conformi a: 98/37/CE, 89/336/CEE, EN 60745, EN 55014, EN61000

LpA (pressione sonora) 84,7 dB(A),

LWA (potenza acustica) 95,7 dB(A),

vibrazione misurata su braccio/mano <5,0 m/s<sup>2</sup>

Kpa (incertezza sulla pressione sonora 3 dB(A),

Kwa (incertezza sulla potenza acustica 3 dB(A),

Kevin Hewitt

Direttore tecnico prodotti di consumo

Spennymoor, County Durham

DL16 6JG,

Regno Unito

31-03-2006

## Garanzia

Certa della qualità dei suoi prodotti, Black & Decker offre una garanzia eccezionale. Il presente certificato di garanzia è complementare ai diritti legali e non li pregiudica in alcun modo. La garanzia è valida entro il territorio degli Stati membri dell'Unione Europea e dell'EFTA (European Free Trade Area).

Se un prodotto Black & Decker risulta difettoso per qualità del materiale, della costruzione o per mancata conformità entro 24 mesi dalla data di acquisto, Black & Decker garantisce la sostituzione delle parti difettose, provvede alla riparazione dei prodotti se ragionevolmente usurati oppure alla loro sostituzione, in modo da ridurre al minimo il disagio del cliente a meno che:

- ◆ Il prodotto non sia stato destinato ad usi commerciali, professionali o al noleggio;
- ◆ Il prodotto non sia stato usato in modo improprio o scorretto;
- ◆ Il prodotto non abbia subito danni causati da oggetti o sostanze estranee oppure incidenti;
- ◆ Il prodotto non abbia subito tentativi di riparazione non effettuati da tecnici autorizzati né dall'assistenza Black & Decker.

Per attivare la garanzia è necessario esibire la prova comprovante l'acquisto al venditore o al tecnico autorizzato. Per individuare il tecnico autorizzato più vicino, rivolgersi alla sede Black & Decker locale, presso il recapito indicato nel presente manuale. Altrimenti un elenco completo di tutti i tecnici autorizzati Black & Decker e i dettagli completi sui contatti e i servizi post-vendita sono disponibili su Internet presso: **www.2helpU.com**

I clienti che desiderano registrare il nuovo prodotto Black & Decker e ricevere gli aggiornamenti sui nuovi prodotti e le offerte speciali, sono invitati a visitare il sito Web (**www.blackanddecker.it**).

Ulteriori informazioni sul marchio e la gamma di prodotti Black & Decker sono disponibili all'indirizzo

**www.blackanddecker.it.**

## Uso previsto

Su lijadora Black & Decker ha sido diseñada para lijar madera, metal, plástico y superficies pintadas. Esta herramienta esta pensada únicamente para uso doméstico.

## Información sobre el diseño y la patente

Patente europea EP1419856B1

Diseño para GB No 3011677

## Normas de seguridad generales

Lea íntegramente estas instrucciones. En caso de no atenerse a las instrucciones de seguridad siguientes, ello puede dar lugar a una descarga eléctrica, incendio o lesión grave. El término "herramienta eléctrica" empleado en las advertencias indicadas a continuación se refiere a la herramienta eléctrica con alimentación de red (con cable) o alimentada por batería (sin cable). **GUARDE ESTAS INSTRUCCIONES EN UN LUGAR SEGURO.**

### 1. Área de trabajo

- Mantenga limpia y bien iluminada el área de trabajo.** El desorden y una iluminación deficiente en las áreas de trabajo pueden provocar accidentes.
- No utilice la herramienta eléctrica en un entorno con peligro de explosión, en el que se encuentren combustibles líquidos, gases o material en polvo.** Las herramientas eléctricas producen chispas que pueden llegar a incendiar los materiales en polvo o vapores.
- Mantenga alejados a los niños y otras personas del área de trabajo al emplear la herramienta eléctrica.** Una distracción le puede hacer perder el control sobre la herramienta.

### 2. Seguridad eléctrica

- El enchufe de la herramienta eléctrica debe corresponder a la toma de corriente utilizada. No es admisible modificar el enchufe en forma alguna. No emplee adaptadores en herramientas eléctricas dotadas con toma de tierra.** Los enchufes sin modificar adecuados a las respectivas tomas de corriente reducen el riesgo de una descarga eléctrica.
- Evite que su cuerpo toque partes conectadas a tierra como tuberías, radiadores, cocinas y refrigeradores.** El riesgo a quedar expuesto a una sacudida eléctrica es mayor si su cuerpo tiene contacto con tierra.
- No exponga las herramientas eléctricas a la lluvia y evite que penetren líquidos en su interior.** Existe el peligro de recibir una descarga eléctrica si penetran ciertos líquidos en la herramienta eléctrica.
- Huid el cable de alimentación. No utilice el cable de red para transportar o colgar la herramienta eléctrica, ni tire de él para sacar el enchufe de la toma de corriente. Mantenga el cable de red alejado del calor, aceite, bordes afilados o piezas móviles.** Los cables de red dañados o enredados pueden provocar una descarga eléctrica.
- Al trabajar con la herramienta eléctrica a la intemperie utilice solamente cables de prolongación homologados para su uso en exteriores.** La utilización de un cable de prolongación adecuado para su uso en exteriores reduce el riesgo de una descarga eléctrica.

### 3. Seguridad personal

- Esté atento a lo que hace y emplee la herramienta eléctrica con prudencia. No utilice la herramienta eléctrica si estuviese cansado, ni tampoco después de haber consumido alcohol, drogas o medicamentos.** El no estar atento durante el uso de una herramienta eléctrica puede provocarle serias lesiones.
  - Utilice un equipo de protección y en todo caso unas gafas de protección.** El riesgo a lesionarse se reduce considerablemente si, dependiendo del tipo y la aplicación de la herramienta eléctrica empleada, se utiliza un equipo de protección adecuado como una mascarilla antipolvo, zapatos de seguridad con suela antideslizante, casco o protectores auditivos.
  - Evite una puesta en marcha accidental de la herramienta. Compruebe que el interruptor se encuentra en la posición de apagado antes de enchufar la herramienta.** Transportar la herramienta eléctrica con el dedo sobre el interruptor o llavearla con el interruptor encendido puede provocar accidentes.
  - Retire las herramientas de ajuste o llaves fijas antes de conectar la herramienta eléctrica.** Una herramienta o llave colocada en una pieza giratoria de la herramienta eléctrica puede producir lesiones al ponerse a funcionar.
  - Sea precavido. Mantenga un apoyo firme sobre el suelo y conserve el equilibrio en todo momento.** Ello le permitirá controlar mejor la herramienta eléctrica en caso de presentarse una situación inesperada.
  - Lleve puesta una vestimenta de trabajo adecuada. No lleve vestidos anchos ni joyas. Mantenga su pelo, vestimenta y guantes alejados de las piezas móviles.** La vestimenta suelta, las joyas y el pelo largo se pueden enganchar con las piezas en movimiento.
  - Siempre que sea posible utilizar equipos de aspiración o captación de polvo, asegúrese de que éstos estén montados y se utilicen correctamente.** El empleo de estos equipos reduce los riesgos derivados del polvo.
- ### 4. Uso y cuidado de herramientas eléctricas
- No sobrecargue la herramienta eléctrica. Use la herramienta eléctrica prevista para el trabajo a realizar.** Con la herramienta eléctrica adecuada podrá trabajar mejor y más seguro dentro del margen de potencia indicado.
  - No utilice herramientas eléctricas con un interruptor defectuoso.** Las herramientas eléctricas que no se puedan conectar o desconectar son peligrosas y deben hacerse reparar.
  - Saque el enchufe de la red antes de realizar un ajuste en la herramienta eléctrica, cambiar de accesorio o al guardar la herramienta.** Esta medida preventiva reduce el riesgo de conectar accidentalmente la herramienta eléctrica.
  - Guarde las herramientas eléctricas fuera del alcance de los niños y de las personas que no estén familiarizadas con su uso.** Las herramientas eléctricas utilizadas por personas inexpertas son peligrosas
  - Cuide sus herramientas eléctricas con esmero. Controle si funcionan correctamente, sin atascarse, las partes móviles de la herramienta eléctrica, y si existen partes rotas o deterioradas que pudieran afectar al funcionamiento de la herramienta. Si la herramienta**

**eléctrica estuviere defectuosa haga que la reparen antes de volver a utilizarla.** Muchos de los accidentes se deben a herramientas eléctricas con un mantenimiento deficiente.

- f. Mantenga las herramientas de corte limpias y afiladas.** Las herramientas de corte mantenidas correctamente son más fáciles de guiar y controlar.
- g. Utilice la herramienta eléctrica, los accesorios y demás útiles de herramienta de acuerdo con estas instrucciones y en la manera indicada específicamente para esta herramienta eléctrica. Tenga en cuenta las condiciones de trabajo y la tarea a realizar.** El uso de herramientas eléctricas para trabajos diferentes de aquellos para los que han sido concebidas puede resultar peligroso.
- 5. Servicio técnico**
- a. Haga reparar su herramienta eléctrica sólo por personal técnico autorizado que emplee exclusivamente piezas de repuesto originales.** Solamente así se garantiza la seguridad de la herramienta eléctrica.

**Instrucciones de seguridad adicionales para lijadoras**

- ◆ Utilice en todo momento una mascarilla contra el polvo cuando realice tareas de lijado.
- ◆ Elimine a fondo todo el polvo después de lijar.
- ◆ Ponga cuidado cuando lije pinturas con posible contenido de plomo o algunos tipos de maderas y metales que puedan producir polvo tóxico.
  - Utilice una mascarilla diseñada específicamente para proteger contra el polvo y las emanaciones de pinturas con contenido de plomo, y asegúrese de que las demás personas que se encuentren en el área de trabajo o que entren en ella, también estén protegidas.
  - No permita la entrada de niños ni de mujeres embarazadas al área de trabajo.
  - No ingiera alimentos ni bebidas, ni fume en el área de trabajo.
  - Deshágase de las partículas de polvo y demás residuos de un modo seguro.
- ◆ Antes de usar la herramienta en trabajos con piezas de madera, asegúrese de colocar el cassette recolector de polvo.
- ◆ Antes de usar la herramienta en trabajos con piezas de metal, asegúrese de retirar el cassette recolector de polvo.
- ◆ No use nunca la herramienta sin la hoja de lija.
- ◆ No use nunca la herramienta sin la base de lijado.
- ◆ Este aparato no está pensado para que lo utilicen personas que no cuentan con la edad o fuerza necesarias sin una supervisión adecuada. Es imprescindible vigilar a los niños en todo momento para garantizar que el aparato no se utilice como juguete.
- ◆ Si se llegase a dañar el cable de alimentación, deberá ser sustituido por el fabricante o por un centro de asistencia técnica autorizado de Black & Decker para evitar cualquier situación de riesgo.

**Seguridad eléctrica**



La herramienta lleva un doble aislamiento; por lo tanto no requiere una toma a tierra. Compruebe siempre que la tensión de la red corresponda con el valor indicado en la placa de datos de la herramienta.

**Características**

1. Conmutador ON/OFF (encendido/apagado)
2. Empuñadura engomada (sólo KA171GT)
3. Tapa
4. Cassette recolector de polvo (KA171, KA171GT, KA171L)
5. Salida de aspiración de polvo
6. Base de lijado
7. Palanca de la pinza de papel
8. Perforadora de papel
9. Accesorio para hendiduras (KA171L)
10. Filtro
11. Bolsa recolectora de polvo

**Montaje**

**¡Atención!** Antes de proceder al montaje, compruebe que la herramienta está apagada y desenchufada.

**Montaje de las hojas de lija (Fig. A y C)**

**¡Atención!** No use nunca la herramienta sin la hoja de lija o el accesorio en su sitio.

**Montaje de las hojas de lija con correas de nailon (Fig. A)**

**¡Atención!** Compruebe que la herramienta se encuentra apagada y desenchufada.

- ◆ Coloque la hoja de lija firme y uniformemente sobre la base de lijado (6), asegurándose de que los orificios de la hoja coincidan con los de la base.

**Montaje de las hojas de lija (Fig. B)**

**¡Atención!** Compruebe que la herramienta se encuentra apagada y desenchufada.

- ◆ Ablande la hoja de lija frotando su parte no abrasiva contra el borde de una encimera.
- ◆ Presione las palancas de las pinzas (7) de papel hacia arriba para extraerlas de las ranuras de sujeción y abra las pinzas de papel (7) presionándolas hacia abajo.
- ◆ Coloque la hoja sobre la base de lijado (6).
- ◆ Inserte el borde de la hoja de lija en la parte delantera de la pinza de papel (7) tal como se indica.
- ◆ Presione hacia abajo la palanca de pinza de papel delantera (7) y colóquela en la ranura de sujeción.
- ◆ Mientras mantiene una tensión ligera sobre la hoja, inserte el borde trasero de la misma en la pinza trasera (7).
- ◆ Presione hacia abajo la palanca de pinza de papel trasera (7) y colóquela en la ranura de sujeción.

**Montaje de las hojas de perforación (Fig. C)**

La perforadora de papel (8) se utiliza para crear los orificios de extracción de polvo en las hojas de lija sin orificios.

**Montaje de una hoja de lija**

- ◆ Sostenga la herramienta en una posición justo por encima de la perforadora de papel (8).
- ◆ Presione hacia abajo la herramienta con la base de lijado (6) sobre la perforadora de papel.
- ◆ Retire la herramienta de la perforadora de papel y compruebe si los orificios de la hoja de lija están correctamente hechos.

## Montaje y desmontaje del cassette recolector de polvo

### (Fig. F) sólo KA171, KA171GT, KA171L

- ◆ Monte el cassette recolector de polvo (4) sobre la salida de aspiración de polvo (5).
- ◆ Para desmontar el cassette recolector de polvo, tire de él hacia atrás y hacia fuera de la salida.

## Montaje y desmontaje de la bolsa recolectora de polvo

### (Fig. G)

- ◆ Monte la bolsa recolectora de polvo (11) sobre la salida de aspiración de polvo (5).
- ◆ Para desmontar la bolsa, tire de ella hacia atrás y hacia fuera de la salida.

## Accesorio para hendiduras (Fig. D) sólo KA171L

Con este accesorio podrá trabajar en grietas empleando la base de lijado por ambos lados.

- ◆ Coloque la parte delantera del accesorio para hendiduras (9) por encima de la base de lijado (6).
- ◆ Utilice los cuatro tornillos suministrados para fijarlo en su posición.
- ◆ Coloque media hoja en la parte inferior de la base accesorio para hendiduras (9). Un fragmento de ella se plegará por encima de la parte delantera de la base.
- ◆ Para quitar el accesorio para hendiduras, realice el procedimiento en orden inverso.

## Uso

**¡Atención!** Deje que la herramienta funcione a su ritmo.

**¡Atención!** No la sobrecargue.

## Encendido y apagado (Fig. E)

- ◆ Para encender la herramienta, presione la parte marcada como "1" del interruptor de encendido/apagado (1).
- ◆ Para apagar la herramienta, presione la parte marcada como "0" del interruptor de encendido/apagado (1).

## Vaciado del cassette recolector de polvo (Fig. F)

- ◆ El cassette recolector de polvo (4) debe vaciarse cada 10 minutos de uso.
- ◆ Tire del cassette recolector de polvo (4) hacia atrás para separarlo de la herramienta.
- ◆ Para quitar la tapa (3), gírela en sentido contrario a las agujas del reloj.
- ◆ Sostenga el cassette recolector de polvo (4) con el filtro (10) hacia abajo y sacúdalo para vaciar el contenido.
- ◆ Sacuda la tapa (3) para vaciar el contenido.
- ◆ Vuelva a colocar la tapa (3) en el cassette recolector de polvo (4), girándola en sentido de las agujas del reloj hasta que encaje.
- ◆ Vuelva a montar el cassette recolector de polvo (4) en la herramienta.

## Limpieza del filtro del cassette recolector de polvo

**¡Atención!** No cepille el filtro ni utilice aire comprimido u objetos afilados para limpiarlo. No lave el filtro.

- ◆ El filtro del cassette recolector de polvo (10) se puede volver a utilizar y debe limpiarse periódicamente.
- ◆ Vacíe el filtro del cassette recolector de polvo (10) tal como se describe anteriormente.

- ◆ Tire del filtro (10) para extraerlo del cassette recolector de polvo (4). NO GIRE EL FILTRO.
- ◆ Para eliminar el exceso de polvo, golpee ligeramente el filtro (10) sobre un recipiente de basura.
- ◆ Vuelva a montar el filtro (10).
- ◆ Coloque la tapa (3).
- ◆ Monte el cassette recolector de polvo (4) en la herramienta.

## Vaciado de la bolsa recolectora de polvo

- ◆ La bolsa recolectora de polvo (11) debe vaciarse cada 10 minutos de uso.
- ◆ Sacuda la bolsa recolectora de polvo (3) para vaciar el contenido.

## Sugerencias para un uso óptimo (Fig. E)

- ◆ No coloque las manos sobre las ranuras de ventilación.
- ◆ No ejerza demasiada presión sobre la herramienta.
- ◆ Compruebe periódicamente el estado de la hoja de lija. Sustitúyala cuando sea necesario.
- ◆ Lije siempre en el sentido de la veta de la madera.
- ◆ Para lijar capas de pintura nuevas antes de aplicar otra capa, utilice un papel de lija de grano extrafino.
- ◆ En superficies muy desiguales o cuando vaya a quitar capas de pintura, comience con un papel de lija de grano grueso. Sobre otras superficies, comience con un papel de lija de grano medio. En ambos casos, cambie gradualmente a un papel de lija de grano fino para lograr un buen acabado.
- ◆ Consulte a su proveedor para obtener más información sobre los accesorios que están a la venta.

## Mantenimiento

- ◆ La herramienta de Black & Decker ha sido diseñada para que funcione durante un largo período de tiempo con un mantenimiento mínimo. El funcionamiento satisfactorio continuado depende de un cuidado apropiado y una limpieza periódica de la herramienta.
- ◆ Antes de realizar cualquier tarea de mantenimiento, apague y desenchufe la herramienta.
- ◆ Limpie periódicamente las ranuras de ventilación de la herramienta con un cepillo suave o paño seco.
- ◆ Limpie periódicamente la carcasa del motor con un paño húmedo limpio. No utilice limpiadores de base abrasiva o disolvente.

## Protección del medio ambiente



Si llegase el momento en que fuese necesario sustituir la herramienta o si ésta dejase de tener utilidad, debe tener en cuenta la protección del medioambiente. El servicio técnico autorizado de Black & Decker aceptará herramientas Black & Decker ya usadas y se asegurará de desprenderse de ellas de modo que no se perjudique el medioambiente.



La recogida selectiva de productos y embalajes usados permite el reciclaje de materiales y su reutilización. La reutilización de materiales reciclados contribuye a evitar la contaminación medioambiental y reduce la demanda de materias primas.

Las normativas municipales deben ofrecer la recogida selectiva de productos eléctricos del hogar, en puntos municipales previstos para ello o a través del distribuidor en el caso de que se adquiera un nuevo producto.

Black & Decker proporciona facilidades para la recogida y reciclado de los productos Black & Decker que hayan llegado al final de su vida útil. Para poder utilizar este servicio, le rogamos entregue el producto a cualquier servicio técnico autorizado que se hará cargo del mismo en nuestro nombre.

Para consultar la dirección del servicio técnico más cercano póngase en contacto con la oficina local de Black & Decker en la dirección que se indica en este manual. Como alternativa, se puede consultar en Internet, en la dirección siguiente, la lista de servicios técnicos autorizados e información completa sobre nuestros servicios de postventa y contactos:

[www.2helpU.com](http://www.2helpU.com).

**Características técnicas**

		KA171	KA171GT	KA171L
Voltaje	Vac	230	230	230
Potencia absorbida	W	200	200	200
Oscilaciones (sin carga)	min-1	15.000	15.000	15.000
Órbitas (sin carga)	min-1	30.000	30.000	30.000
Peso	kg	1,5	1,5	1,5

**Declaración de conformidad CE**

KA171, KA171GT, KA171L

Black & Decker declara que estos productos cumplen las normas siguientes:

98/37/CE, 89/336/CEE, EN 60745, EN 55014, EN61000

LpA (presión acústica) 84,7 dB (A),

LWA (potencia acústica) 95,7 dB(A),

vibraciones soportadas en mano/brazo <5,0 m/s<sup>2</sup>

Kpa (incertidumbre de presión acústica) 3 dB(A),

Kwa (incertidumbre de potencia acústica) 3 dB(A).



Kevin Hewitt  
 Director de Ingeniería del Consumidor  
 Spennymoor, County Durham  
 DL16 6JG,  
 Reino Unido  
 31-03-2006

**Garantía**

Black & Decker confía plenamente en la calidad de sus productos y ofrece una garantía extraordinaria. Esta declaración de garantía es un añadido, y en ningún caso un perjuicio para sus derechos estatutarios. La garantía es válida dentro de los territorios de los Estados miembros de la Unión Europea y de los de la Zona Europea de Libre Comercio.

Si cualquier producto de Black & Decker resultara defectuoso debido a materiales o mano de obra defectuosos o a la falta de conformidad, Black & Decker garantiza, dentro de los 24 meses posteriores a la fecha de compra, la sustitución de las piezas defectuosas, la reparación de los productos sujetos a un desgaste

y rotura razonables o la sustitución de tales productos para garantizar al cliente el mínimo de inconvenientes, a menos que:

- ◆ El producto se haya utilizado con propósitos comerciales, profesionales o de alquiler.
- ◆ El producto se haya sometido a un uso inadecuado o negligente.
- ◆ El producto haya sufrido daños causados por objetos o sustancias extrañas o accidentes.
- ◆ Se hayan realizado reparaciones por parte de personas que no sean del servicio técnico autorizado o personal de servicios de Black & Decker.

Para reclamar en garantía, será necesario que presente la prueba de compra al vendedor o al servicio técnico de reparaciones autorizado. Puede consultar la dirección de su servicio técnico más cercano poniéndose en contacto con la oficina local de Black & Decker en la dirección que se indica en este manual. Como alternativa, se puede consultar en Internet, en la dirección siguiente, la lista de servicios técnicos autorizados e información completa de nuestros servicios de postventa y contactos:

[www.2helpU.com](http://www.2helpU.com)

Visite el sitio web [www.blackanddecker.com](http://www.blackanddecker.com) para registrar su nuevo producto Black & Decker y estar al día sobre productos y ofertas especiales. Encontrará información adicional sobre la marca Black & Decker y nuestra gama de productos en

[www.blackanddecker.com](http://www.blackanddecker.com).

## Beoogd gebruik

De Black & Decker schuurmachine is ontworpen voor het schuren van hout, metaal, kunststof en geverfde oppervlakken. Deze machine is uitsluitend bestemd voor consumentengebruik.

### Ontwerp- en octrooigegevens

Europees octrooi EP1419856B1

Ontwerpnummer GB 3011677

## Algemene veiligheidsvoorschriften

Lees alle voorschriften. Wanneer de volgende voorschriften niet in acht worden genomen, kan dit een elektrische schok, brand en/of ernstig letsel tot gevolg hebben. Het hierna gebruikte begrip 'elektrisch gereedschap' heeft betrekking op elektrische gereedschappen voor gebruik op de netspanning (met netsnoer) of op accu (snoerloos). **BEWAAR DEZE VOORSCHRIFTEN GOED.**

### 1. Werkomgeving

#### a. Houd uw werkomgeving schoon en opgeruimd.

Een rommelige of onverlichte werkomgeving kan tot ongevallen leiden.

#### b. Gebruik elektrisch gereedschap niet in een omgeving met explosiegevaar, zoals in de nabijheid van brandbare vloeistoffen, gassen of stof.

Elektrisch gereedschap veroorzaakt vonken die het stof of de dampen tot ontsteking kunnen brengen.

#### c. Houd kinderen en andere personen tijdens het gebruik van elektrisch gereedschap uit de buurt.

Wanneer u wordt afgeleid, kunt u de controle over het gereedschap verliezen.

### 2. Elektrische veiligheid

#### a. De netstekker van het gereedschap moet in het stopcontact passen. De stekker mag in geen geval worden veranderd. Gebruik geen adapterstekkers in combinatie met geaarde gereedschappen.

Onveranderde stekkers en passende stopcontacten beperken het risico van een elektrische schok.

#### b. Voorkom aanraking van het lichaam met geaarde oppervlakken, bijvoorbeeld buizen, verwarmingen, fornuizen en koelkasten. Er bestaat een verhoogd risico op een elektrische schok wanneer uw lichaam geaard is.

#### c. Houd het gereedschap uit de buurt van regen en vocht. Het binnendringen van water in het elektrische gereedschap vergroot het risico van een elektrische schok.

#### d. Gebruik het snoer niet voor een verkeerd doel.

**Gebruik het snoer niet om het gereedschap te dragen of op te hangen of om de stekker uit het stopcontact te trekken. Houd het snoer uit de buurt van hitte, olie, scherpe randen of bewegende delen.** Beschadigde of in de war geraakte snoeren vergroten het risico van een elektrische schok.

#### e. Wanneer u buitenshuis met elektrisch gereedschap werkt, dient u alleen verlengsnoeren te gebruiken die zijn goedgekeurd voor gebruik buitenshuis. Het gebruik van een verlengsnoer dat geschikt is voor gebruik buitenshuis beperkt het risico van een elektrische schok.

### 3. Veiligheid van personen

#### a. Wees alert, let goed op wat u doet en ga verstandig te werk bij het gebruik van elektrisch gereedschap.

**Gebruik elektrisch gereedschap niet wanneer u moe bent of onder invloed van drugs, alcohol of medicijnen.**

Een moment van onoplettendheid bij het gebruik van het gereedschap kan tot ernstige verwondingen leiden.

#### b. Draag persoonlijke beschermende uitrusting. Draag altijd een veiligheidsbril.

Het dragen van persoonlijke beschermende uitrusting zoals een stofmasker, slipvaste werkschoenen, een veiligheidshelm of gehoorbescherming, afhankelijk van de aard en het gebruik van het elektrische gereedschap, vermindert het risico van verwondingen.

#### c. Voorkom ongewenste inschakeling. Zorg ervoor dat de schakelaar in de uit-stand staat voordat u de stekker in het stopcontact steekt.

Wanneer u bij het dragen van het gereedschap uw vinger op de schakelaar houdt of wanneer u het gereedschap ingeschakeld op de stroomvoorziening aansluit, kan dit tot ongevallen leiden.

#### d. Verwijder instelgereedschappen of schroefleutels voordat u het gereedschap inschakelt.

Een instelgereedschap of sleutel in een draaiend deel van het gereedschap kan leiden tot verwondingen.

#### e. Reik niet te ver. Zorg dat u altijd stevig en in evenwicht staat.

Daardoor kunt u het gereedschap beter onder controle houden in onverwachte situaties.

#### f. Draag geschikte kleding. Draag geen loshangende kleding of sieraden. Houd haren, kleding en handschoenen uit de buurt van bewegende delen.

Loshangende kleding, sieraden en lange haren kunnen door bewegende delen worden meegenomen.

#### g. Wanneer stofafzuigings- of stofopvangvoorzieningen kunnen worden gemonteerd, dient u ervoor te zorgen dat deze zijn aangesloten en juist worden gebruikt.

Het gebruik van dergelijke voorzieningen beperkt het gevaar door stof.

### 4. Gebruik en onderhoud van elektrisch gereedschap

#### a. Overbelast het gereedschap niet. Gebruik voor uw toepassing het daarvoor bestemde elektrische gereedschap.

Met het passende elektrische gereedschap werkt u beter en veiliger binnen het aangegeven capaciteitsbereik.

#### b. Gebruik geen elektrisch gereedschap waarvan de schakelaar defect is. Elektrisch gereedschap dat niet meer kan worden in- of uitgeschakeld, is gevaarlijk en moet worden gerepareerd.



- c. **Trek de stekker uit het stopcontact voordat u het gereedschap instelt, toebehoren wisselt of het gereedschap opbergt.** Met deze voorzorgsmaatregel voorkomt u onbedoeld starten van het gereedschap.
  - d. **Bewaars niet-gebruikt elektrisch gereedschap buiten bereik van kinderen. Laat het gereedschap niet gebruiken door personen die er niet vertrouwd mee zijn en deze aanwijzingen niet hebben gelezen.** Elektrische gereedschappen zijn gevaarlijk wanneer deze door onervaren personen worden gebruikt.
  - e. **Onderhoud het gereedschap zorgvuldig. Controleer of bewegende delen van het gereedschap correct functioneren en niet vastklemmen en of onderdelen zodanig zijn gebroken of beschadigd dat de werking van het gereedschap nadelig wordt beïnvloed. Laat beschadigde delen repareren voordat u het gereedschap gebruikt.** Veel ongevallen worden veroorzaakt door slecht onderhouden elektrisch gereedschap.
  - f. **Houd snijdende inzetgereedschappen scherp en schoon.** Zorgvuldig onderhouden snijdende inzetgereedschappen met scherpe snijkanten klemmen minder snel vast en zijn gemakkelijker te geleiden.
  - g. **Gebruik elektrische gereedschappen, toebehoren, inzetgereedschappen en dergelijke volgens deze aanwijzingen en zoals voor dit speciale gereedschapstype is voorgeschreven. Let daarbij op de arbeidsomstandigheden en de uit te voeren werkzaamheden.** Het gebruik van elektrische gereedschappen voor andere dan de voorziene toepassingen kan leiden tot gevaarlijke situaties.
- 5. Service**
- a. **Laat het gereedschap alleen repareren door gekwalificeerd en vakkundig personeel en alleen met originele vervangingsonderdelen.** Daarmee wordt de veiligheid van het gereedschap gewaarborgd.

**Aanvullende veiligheidsinstructies voor schuurmachines**

- ◆ Draag bij het schuren altijd een stofmasker.
- ◆ Verwijder zorgvuldig alle stof na het schuren.
- ◆ Neem speciale maatregelen bij het schuren van verf die mogelijk een loodbasis heeft of bij het schuren van bepaalde hout- en metaalsoorten die mogelijk giftige stoffen produceren:
  - Draag een stofmasker dat speciaal is ontworpen ter bescherming tegen stoffen en dampen van verf met een loodbasis en zorg ervoor dat andere personen op de werkvloer of die de werkvloer betreden eveneens zijn beschermd.
  - Kinderen en zwangere vrouwen mogen de werkvloer niet betreden.
  - Eten, drinken en roken op de werkvloer is niet toegestaan.
  - Verwijder stof en ander afval op veilige en verantwoorde wijze.
- ◆ Plaats de stofcassette voordat u het gereedschap gebruikt op houten materiaal.

- ◆ Verwijder de stofcassette voordat u het gereedschap op metalen materiaal gebruikt.
- ◆ Gebruik het gereedschap nooit zonder schuurpapier.
- ◆ Gebruik het gereedschap nooit zonder schuurzool.
- ◆ Dit apparaat mag niet zonder toezicht door jonge of lichamelijk zwakke mensen worden gebruikt. Zorg ervoor dat kinderen niet met het apparaat spelen.
- ◆ Als het netsnoer is beschadigd, moet dit worden vervangen door de fabrikant of een Black & Decker-servicecentrum om gevaren te voorkomen.

**Elektrische veiligheid**



Dit gereedschap is dubbel geïsoleerd; een aardaansluiting is daarom niet noodzakelijk. Controleer altijd of uw netspanning overeenkomt met de waarde op het typeplaatje.

**Onderdelen**

1. Aan/uit-schakelaar
2. Comfortabele gelhandgreep (alleen op de KA171GT)
3. Kap
4. Stofcassette (KA171, KA171GT, KA171L)
5. Opening voor stofafzuiging
6. Schuurzool
7. Papierklemhendel
8. Papierperforator
9. Jaloeziehulpstuk (KA171L)
10. Filter
11. Stofzak

**Montage**

**Waarschuwing!** Zorg vóór aanvang van de montage dat de machine is uitgeschakeld en de netstekker is losgekoppeld van het lichtnet.

**Schuurpapier plaatsen (fig. A & B)**

**Waarschuwing!** Gebruik het gereedschap nooit zonder dat er schuurpapier of accessoires zijn geplaatst.

**Schuurpapier plaatsen met nylon lussen (fig. A)**

**Waarschuwing!** Zorg ervoor dat de machine is uitgeschakeld en de netstekker van het lichtnet is losgekoppeld.

- ◆ Druk het schuurpapier goed en gelijkmatig op de schuurzool (6) en zorg er daarbij voor dat de gaten in het papier aansluiten op de gaten in de zool.

**Standaardschuurpapier plaatsen (fig. B)**

**Waarschuwing!** Zorg ervoor dat de machine is uitgeschakeld en de netstekker van het lichtnet is losgekoppeld.

- ◆ Maak het schuurpapier soepeler door het schuurpapier met de gladde kant langs de rand van een werktafel te wrijven.
- ◆ Druk de papierklemhendels (7) naar boven om deze uit de opsluitgroeven los te maken en open de papierklemmen (7) door deze naar beneden te drukken.
- ◆ Plaats het papier op de schuurzool (6).
- ◆ Plaats de rand van het schuurpapier op de aangegeven wijze in de papierklem (7) aan de voorzijde.

- ◆ Druk de papierklemhendel aan de voorzijde (7) naar beneden en zet deze vast in de opsluitgroef.
- ◆ Houd het papier onder lichte spanning en plaats de achterrand van het papier in de papierklem aan de achterzijde (7).
- ◆ Druk de papierklemhendel aan de achterzijde (7) naar beneden en zet deze vast in de opsluitgroef.

## Schuurpapier perforeren (fig. C)

De papierperforator (8) dient voor de aanbrenging van gaten voor de stofafzuiging in standaard-schuurpapier dat niet van gaten is voorzien.

- ◆ Plaats het schuurpapier.
- ◆ Houd het gereedschap recht boven de papierperforator (8).
- ◆ Druk het gereedschap met de schuurzool (6) naar beneden op de papierperforator.
- ◆ Haal het gereedschap weer van de papierperforator af en controleer of de gaten in het schuurpapier helemaal open zijn.

## Schuurzool plaatsen en verwijderen (fig. F, alleen KA171, KA171GT en KA171L)

- ◆ Plaats de stofcassette (4) op de opening voor de stofafzuiging (5).
- ◆ Als u de stofcassette (4) wilt verwijderen, houdt u de cassette aan de achterkant vast en trekt u deze van de opening.

## Stofzak plaatsen en verwijderen (fig. G)

- ◆ Plaats de stofzak (11) op de opening voor de stofafzuiging (5).
- ◆ Als u de stofzak wilt verwijderen, houdt u de stofzak aan de achterkant vast en trekt u deze van de opening.

## Jaloeziehulpstuk (fig. D, alleen KA171L)

Met dit hulpstuk kunt u in gleuven werken en beide kanten van de schuurzool gebruiken.

- ◆ Plaats de voorzijde van het jaloeziehulpstuk (9) op de schuurzool (6).
- ◆ Zet het hulpstuk vast met de vier meegeleverde schroeven.
- ◆ Bevestig een half vel schuurpapier aan de onderkant van de jaloeziezool (9). Een deel ervan wordt over de voorkant van de zool gevouwen.
- ◆ Voer de procedure in omgekeerde volgorde uit om het jaloeziehulpstuk te verwijderen.

## Gebruik

**Waarschuwing!** Laat het gereedschap in zijn eigen tempo werken.

**Waarschuwing!** Niet overbelasten.

## In- en uitschakelen (fig. E)

- ◆ Om de machine in te schakelen, drukt u het met 'I' gemarkeerde deel van de aan/uit-schakelaar (1) in.
- ◆ Om de machine uit te schakelen, drukt u het met 'O' gemarkeerde deel van de aan/uit-schakelaar (1) in.

## Stofcassette leegmaken (fig. F)

- ◆ De stofcassette (4) moet om de 10 minuten worden geleegd.
- ◆ Trek de stofcassette (4) naar achteren en uit de machine.

- ◆ Draai de kap (3) linksom om deze te verwijderen.
- ◆ Houd de stofcassette vast met het filter (10) naar beneden en schud de cassette (4) leeg.
- ◆ Schud de kap (3) leeg.
- ◆ Plaats de kap (3) op de stofcassette (4) en draai deze rechtsom om deze te vergrendelen.
- ◆ Plaats de stofcassette (4) terug in de machine.

## Filter van stofcassette reinigen

**Waarschuwing!** Reinig het filter nooit met behulp van borstels, perslucht of scherpe voorwerpen. Was het filter evenmin uit.

- ◆ Het filter (10) van de stofcassette is herbruikbaar en moet regelmatig worden gereinigd.
- ◆ Maak het filter (10) van de stofcassette op de hiervoor beschreven wijze leeg.
- ◆ Trek het filter (10) van de stofcassette (4). DRAAI HET FILTER NIET.
- ◆ Verwijder het overtollige stof door het filter (10) in een vuilnisbak leeg te kloppen.
- ◆ Plaats het filter (10) terug.
- ◆ Breng de kap (3) aan.
- ◆ Bevestig de stofcassette (4) aan de machine.

## Stofzak legen

- ◆ De stofzak (11) moet tijdens het gebruik om de 10 minuten worden geleegd.
- ◆ Schud de stofzak leeg.

## Tips voor optimaal gebruik (fig. E)

- ◆ Kom niet met uw handen boven de ventilatieopeningen.
- ◆ Oefen niet te veel druk op de machine uit.
- ◆ Controleer regelmatig de staat van het schuurpapier. Vervang het papier indien nodig.
- ◆ Schuur altijd met de houtnerf mee.
- ◆ Gebruik een extra fijne korrel bij het schuren van een nieuwe verflaag voordat een volgende verflaag wordt aangebracht.
- ◆ Begin op zeer oneffen oppervlakken of bij het verwijderen van verflagen met een grove korrel. Begin op andere oppervlakken met een mediumkorrel. Ga in beide gevallen geleidelijk aan over op een fijne korrel voor een gladde afwerking.
- ◆ Informeer bij uw detailhandel voor meer informatie over de verkrijgbare accessoires.

## Onderhoud

- ◆ Uw Black & Decker-gereedschap is ontworpen om gedurende langere periode te functioneren met een minimum aan onderhoud. U kunt het gereedschap naar volle tevredenheid blijven gebruiken als u voor correct onderhoud zorgt en het gereedschap regelmatig schoonmaakt.

- ◆ Schakel de machine uit en haal de stekker uit het stopcontact voordat er onderhoud wordt uitgevoerd.
- ◆ Reinig regelmatig de ventilatieopeningen van de machine met een zachte, droge borstel of een droge doek.
- ◆ Reinig regelmatig de behuizing van de motor met een schone, vochtige doek. Gebruik geen schuur- of oplosmiddel.

## Milieu



Mocht u op een dag constateren dat het gereedschap aan vervanging toe is of dat u het gereedschap niet meer nodig hebt, houdt u dan rekening met het milieu. Black & Decker-servicecentra zijn bereid oude Black & Decker-machines in te nemen en ervoor te zorgen dat deze op milieuvriendelijke wijze worden afgevoerd.



Gescheiden inzameling van gebruikte producten en verpakkingsmaterialen maakt het mogelijk materialen te recyclen en opnieuw te gebruiken. Hergebruik van gerecycleerde materialen zorgt voor minder milieuvervuiling en dringt de vraag naar grondstoffen terug.

Plaatselijke verordeningen kunnen voorzien in gescheiden inzameling van huishoudelijke elektrische producten via gemeentelijke stortplaatsen of via de leverancier bij wie u een nieuw product aanschafft.

Black & Decker biedt de mogelijkheid tot het recyclen van afgedankte Black & Decker-producten. Om gebruik te maken van deze service, dient u het product naar een van onze servicecentra te sturen, die de inzameling voor ons verzorgen.

U kunt het adres van het dichtstbijzijnde servicecentrum opvragen via de adressen op de achterzijde van deze handleiding. U kunt ook een lijst van onze servicecentra en meer informatie over onze klantenservice vinden op het volgende internetadres: [www.2helpU.com](http://www.2helpU.com).

## Technische gegevens

	KA171	KA171GT	KA171L
Spanning	Vac 230	230	230
Opgenomen vermogen	W 200	200	200
Trillingen (onbelast)	min-1 15.000	15.000	15.000
Omlopen (onbelast)	min-1 30.000	30.000	30.000
Gewicht	kg 1,5	1,5	1,5

## EG-conformiteitsverklaring

KA171, KA171GT, KA171L

Black & Decker verklaart dat deze producten in overeenstemming zijn met:  
 98/37/EG, 89/336/EEG, EN 60745, EN 55014, EN61000  
 LpA (geluidsdruk) 84,7 dB(A),  
 LWA (geluidsvermogen) 95,7 dB(A),  
 gewogen kwadratische gemiddelde waarde van de versnelling <math><5,0 \text{ m/s}^2</math>  
 Kpa (meetonzekerheid akoestisch vermogen 3 dB(A),  
 Kwa (meetonzekerheid geluidsvermogen 3 dB(A),

Kevin Hewitt  
 Director of Consumer Engineering  
 Spennymoor, County Durham  
 DL16 6JG,  
 Verenigd Koninkrijk  
 31-03-2006

## Garantie

Black & Decker heeft vertrouwen in zijn producten en biedt een uitstekende garantie. Deze garantiebepalingen vormen een aanvulling op uw wettelijke rechten en beperken deze niet. De garantie geldt in de lidstaten van de Europese Unie en de Europese Vrijhandelsassociatie.

Mocht uw Black & Decker product binnen 24 maanden na de datum van aankoop defect raken ten gevolge van materiaal- of constructiefouten, dan garanderen wij de kosteloze vervanging van defecte onderdelen, de reparatie van het product of de vervanging van het product, tenzij:

- ◆ Het product is gebruikt voor handelsdoeleinden, professionele toepassingen of verhuurdoeleinden;
- ◆ Het product onoordeelkundig is gebruikt;
- ◆ Het product is beschadigd door invloeden van buitenaf of door een ongeval;
- ◆ Reparaties zijn uitgevoerd door anderen dan onze servicecentra of Black & Decker-personeel.

Om een beroep te doen op de garantie, dient u een aankoopbewijs te overhandigen aan de verkoper of een van onze servicecentra. U kunt het adres van het dichtstbijzijnde servicecentrum opvragen via de adressen op de achterzijde van deze handleiding. U kunt ook een lijst van onze servicecentra en meer informatie m.b.t. onze klantenservice vinden op het volgende internetadres: [www.2helpU.com](http://www.2helpU.com)  
 Meld u aan op onze website [www.blackanddecker.nl](http://www.blackanddecker.nl) om te worden geïnformeerd over nieuwe producten en speciale aanbiedingen. Verdere informatie over het merk Black & Decker en onze producten vindt u op [www.blackanddecker.nl](http://www.blackanddecker.nl).

## Utilização

A lixadora Black & Decker foi projectada para lixar madeira, metal, plástico e superfícies pintadas. Esta ferramenta destina-se apenas a utilização doméstica.

### Informações sobre Design e Patentes

Patente Europeia EP1419856B1

Design GB N° 3011677

## Regras gerais de segurança

Leia todas as instruções. O não cumprimento das instruções a seguir pode causar choque eléctrico, incêndio e/ou graves lesões. A expressão “ferramenta eléctrica” utilizada a seguir refere-se a ferramentas eléctricas com ligação à corrente eléctrica (com cabo) ou com bateria (sem fios). **GUARDE BEM ESTAS INSTRUÇÕES.**

### 1. Área de trabalho

- a. **Mantenha a área de trabalho limpa e bem iluminada.** Áreas desarrumadas e mal iluminadas são propícias a acidentes.
- b. **Não trabalhe com ferramentas eléctricas em áreas com risco de explosão, nas quais se encontrem líquidos, gases ou poeiras inflamáveis.** As ferramentas eléctricas produzem faíscas que podem provocar a ignição de poeiras ou vapores.
- c. **Mantenha crianças e outras pessoas afastadas enquanto trabalhar com a ferramenta eléctrica.** Distrações podem provocar perdas de controlo da ferramenta.

### 2. Segurança eléctrica

- a. **A ficha da ferramenta eléctrica deve caber na tomada. A ficha não deve ser modificada de modo algum. Não utilize quaisquer fichas adaptadoras com ferramentas eléctricas ligadas à terra.** Fichas sem modificações e tomadas adequadas reduzem o risco de choques eléctricos.
- b. **Evite que o corpo entre em contacto com superfícies ligadas à terra, como tubos, radiadores, fogões e frigoríficos.** Existe um risco elevado de choques eléctricos se o corpo estiver ligado à terra.
- c. **As ferramentas eléctricas não podem ser expostas a chuva nem humidade.** A penetração de água na ferramenta eléctrica aumenta o risco de choques eléctricos.
- d. **Manuseie o fio com cuidado. O cabo não deve ser utilizado para transportar ou pendurar a ferramenta, nem para puxar a ficha da tomada. Mantenha o cabo afastado de calor, óleo, pontas afiadas ou partes móveis.** Cabos danificados ou torcidos aumentam o risco de choques eléctricos.
- e. **Quando trabalhar com uma ferramenta eléctrica ao ar livre, utilize um cabo de extensão apropriado para esse fim.** A utilização de um cabo apropriado para áreas ao ar livre reduz o risco de choques eléctricos.

### 3. Segurança pessoal

- a. **Mantenha-se alerta, tenha atenção ao que está a fazer e seja prudente quando trabalhar com a ferramenta eléctrica. Não utilize a ferramenta eléctrica se estiver cansado ou sob a influência de drogas, álcool ou**

**medicamentos.** Um momento de falta de atenção enquanto trabalha com ferramentas eléctricas poderá ter como resultado graves lesões.

- b. **Utilize equipamento pessoal de protecção. Utilize sempre óculos de protecção.** Equipamento de segurança como uma máscara de protecção contra poeiras, sapatos de segurança anti-derrapantes, capacete de segurança ou protecção auricular, de acordo com o tipo e a aplicação de ferramenta eléctrica, reduz o risco de lesões.
  - c. **Evite o accionamento involuntário. Certifique-se de que o interruptor está na posição de desligado antes de ligar a tomada.** Transportar ferramentas eléctricas com o dedo no interruptor ou ligar ferramentas eléctricas à tomada com o interruptor na posição de ligado é uma prática propícia a acidentes.
  - d. **Retire eventuais chaves de ajustes ou chaves fixas antes de ligar a ferramenta eléctrica.** Uma chave fixa ou qualquer outra chave ligada a uma peça rotativa da ferramenta eléctrica pode provocar lesões.
  - e. **Não tente chegar a pontos fora do alcance. Mantenha-se sempre bem posicionado e equilibrado.** Assim, controlará melhor a ferramenta eléctrica em situações imprevistas.
  - f. **Utilize vestuário adequado. Não utilize roupa larga ou jóias. Mantenha o cabelo, a roupa e as luvas afastados de partes móveis.** Roupas largas, jóias ou cabelo comprido podem ser apanhados por partes móveis.
  - g. **Se forem fornecidos dispositivos para a ligação de equipamentos de aspiração e recolha de poeiras, certifique-se de que são ligados e utilizados de forma correcta.** A utilização destes dispositivos pode reduzir os riscos provocados por poeiras.
- ### 4. Utilização e manutenção da ferramenta eléctrica
- a. **Não sobrecarregue a ferramenta eléctrica. Utilize a ferramenta eléctrica adequada ao trabalho pretendido.** A ferramenta eléctrica correcta realizará o trabalho de forma melhor e mais segura, com a potência com que foi concebida.
  - b. **Não utilize a ferramenta eléctrica se não for possível ligar e desligar o interruptor.** Qualquer ferramenta eléctrica que não possa ser controlada com o interruptor é perigosa e terá de ser reparada.
  - c. **Desligue a ficha da tomada antes de proceder a ajustes, trocar acessórios ou guardar ferramentas eléctricas.** Estas medidas de prevenção de segurança reduzem o risco de ligação inadvertida da ferramenta eléctrica.
  - d. **Guarde as ferramentas eléctricas que não estejam a ser utilizadas fora do alcance das crianças e não permita que sejam utilizadas por pessoas que não conhecem essas ferramentas eléctricas nem estas instruções.** As ferramentas eléctricas são perigosas quando utilizadas por pessoas não qualificadas.
  - e. **Proceda à manutenção das ferramentas eléctricas. Verifique se as partes móveis estão desalinhadas ou bloqueadas, se existem peças partidas ou qualquer outra situação que possa afectar o funcionamento das ferramentas eléctricas. Se detectar avarias, repare a ferramenta eléctrica antes de a utilizar.** Muitos acidentes

são provocados por falta de manutenção das ferramentas eléctricas.

**f. Mantenha as ferramentas de corte afiadas e limpas.**

Ferramentas de corte com a manutenção adequada e extremidades afiadas bloqueiam com menos frequência e são mais fáceis de controlar.

**g. Utilize a ferramenta eléctrica, os acessórios e as pontas, etc. de acordo com estas instruções e da forma determinada para este tipo específico de ferramentas eléctrica, levando em consideração as condições de trabalho e a tarefa a desempenhar.** A utilização da ferramenta eléctrica para fins diferentes dos previstos pode resultar em situações perigosas.

**5. Reparação**

**a. A ferramenta eléctrica deverá ser reparada por técnicos qualificados que utilizem apenas peças de substituição iguais.** Isto garantirá a manutenção da segurança da ferramenta eléctrica.

**Instruções de segurança adicionais para lixadoras**

- ◆ Utilize sempre uma máscara de protecção contra poeiras quando utilizar a lixadora.
- ◆ Remova completamente toda a poeira depois de terminar.
- ◆ Tenha cuidados especiais quando lixar pinturas que possam conter chumbo ou algumas madeiras e metais que possam produzir poeiras tóxicas:
  - Utilize uma máscara de protecção contra poeiras especificamente concebida para protecção contra poeiras e vapores de pinturas com chumbo e certifique-se de que as pessoas perto da área de trabalho também estão protegidas.
  - Não permita que crianças ou mulheres grávidas entrem na área de trabalho.
  - Não coma, beba ou fume na área de trabalho.
  - Deite fora as partículas de poeira e outros detritos de forma segura.
- ◆ Antes de utilizar a ferramenta em peças de madeira, certifique-se de que monta o extractor de poeira.
- ◆ Antes de utilizar a ferramenta em peças de metal, certifique-se de que retira o extractor de poeiras.
- ◆ Nunca utilize a ferramenta sem uma folha de lixa.
- ◆ Nunca utilize a ferramenta sem uma base para lixadora.
- ◆ Esta ferramenta não deve ser utilizada por jovens ou pessoas doentes sem supervisão. Esteja atento às crianças para que não brinquem com a ferramenta.
- ◆ Se o cabo de alimentação for danificado, terá de ser substituído pelo fabricante ou por um centro de assistência autorizada Black & Decker para evitar acidentes.

**Segurança eléctrica**



Esta ferramenta tem um isolamento duplo e, por isso, não é necessário um fio de terra. Verifique sempre se a fonte de alimentação corresponde à tensão indicada na placa de especificações.

**Funções**

1. Interruptor para ligar/desligar
2. Punho revestido com gel (apenas KA171GT)
3. Tampa
4. Extractor de poeiras (KA171, KA171GT, KA171L)
5. Saída de extracção de poeiras
6. Base para lixadora
7. Alavanca do grampo de papel
8. Perfurador de papel
9. Fixação dupla de lixa (KA171L)
10. Filtro
11. Saco

**Montagem**

**Advertência!** Antes da montagem, certifique-se de que a ferramenta está desligada e que não está ligada à corrente eléctrica.

**Colocar folhas de lixa (fig. A e B)**

**Advertência!** Nunca utilize a ferramenta sem uma folha de lixa ou acessório no respectivo local.

**Colocar folhas de lixa com cabos de nylon (fig. A)**

**Advertência!** Certifique-se de que a ferramenta está desligada e que não está ligada à corrente eléctrica.

- ◆ Pressione firme e uniformemente a folha na base para lixadora (6), certificando-se de que os orifícios da folha ficam alinhados com os orifícios da base.

**Colocar folhas de lixa normais (fig. B)**

**Advertência!** Certifique-se de que a ferramenta está desligada e que não está ligada à corrente eléctrica.

- ◆ Alise a folha de lixa, raspando a superfície não abrasiva sobre a extremidade de uma banca de trabalho.
- ◆ Pressione as alavancas dos grampos de papel (7) para cima de forma a libertá-las dos entalhes retentores e abra os grampos de papel, (7) pressionando-os para baixo.
- ◆ Coloque a folha na base para lixadora (6).
- ◆ Introduza a extremidade da folha de lixa no grampo de papel frontal (7), conforme indicado.
- ◆ Pressione a alavanca do grampo de papel frontal (7) para baixo e encaixe no entalhe retentor.
- ◆ Enquanto exerce uma ligeira pressão na folha, introduza a extremidade traseira da folha no grampo de papel traseiro (7).
- ◆ Pressione a alavanca traseira do grampo de papel (7) para baixo e encaixe no entalhe retentor.

**Perfurar folhas de lixa (fig. C)**

O perfurador de papel (8) é utilizado para perfurar orifícios de extracção de poeiras nas folhas de lixa sem orifícios pré-perfurados.

**Coloque uma folha de lixa.**

- ◆ Mantenha a ferramenta acima do perfurador de papel (8).
- ◆ Pressione a ferramenta com a base para lixadora (6) virada para baixo no sentido do perfurador de papel.

- ◆ Retire a ferramenta do perfurador de papel e certifique-se de que os orifícios na folha de lixa foram completamente perfurados.

## Ajustar e remover o extractor de poeiras (fig. F) apenas KA171, KA171GT, KA171L

- ◆ Coloque o extractor de poeiras (4) sobre a saída de extracção de poeiras (5).
- ◆ Para remover o extractor de poeiras (4), puxe-o para a parte de trás e para fora da saída.

## Colocar e remover o saco (fig. G)

- ◆ Coloque o saco (11) sobre a saída de extracção de poeiras (5).
- ◆ Para remover o saco, puxe-o para a parte de trás e para fora da saída.

## Fixação dupla de lixa (fig. D) apenas KA171L

Com esta fixação dupla, pode trabalhar em fendas e utilizar ambos os lados da base para lixadora.

- ◆ Encaixe a parte da frente da fixação dupla de lixa (9) na base para lixadora (6).
- ◆ Fixe-a com os parafusos fornecidos.
- ◆ Coloque ½ da folha na parte inferior da base dupla (9). Parte dessa folha ficará colada na parte da frente da base.
- ◆ Para remover a fixação dupla de lixa, inverta o procedimento.

## UTILIZAÇÃO

**Advertência!** Deixa a ferramenta funcionar à vontade.

**Advertência!** Não a sobrecarregue.

### Ligar e desligar (fig. E)

- ◆ Para ligar a ferramenta, pressione a parte do interruptor para ligar/desligar (1) assinalada com um '1'.
- ◆ Para desligar a ferramenta, pressione a parte do interruptor para ligar/desligar (1) assinalada com um '0'.

### Esvaziar o extractor de poeiras (fig. F)

- ◆ O extractor de poeiras (4) deve ser esvaziado a cada 10 minutos.
- ◆ Puxe o extractor de poeiras (4) para a parte de trás da ferramenta.
- ◆ Remova a tampa (3) torcendo-a no sentido contrário ao dos ponteiros do relógio.
- ◆ Segure o extractor de poeiras com o filtro (10) para baixo e sacuda-o (4) para esvaziar o respectivo conteúdo.
- ◆ Sacuda a tampa (3) para esvaziar o respectivo conteúdo.
- ◆ Volte a encaixar a tampa (3) no extractor de poeiras (4), torcendo-a no sentido dos ponteiros do relógio até encaixar.
- ◆ Volte a encaixar o extractor de poeiras (4) na ferramenta.

### Limpar o filtro do extractor de poeiras

**Advertência!** Não escove nem utilize objectos afiados ou de ar comprimido para limpar o filtro. Não lave o filtro.

- ◆ O filtro do extractor de poeiras (10) é re-utilizável e deve ser limpo regularmente.
- ◆ Esvazie o filtro do extractor de poeiras (10), conforme descrito acima.
- ◆ Puxe o filtro (10) para fora do extractor de poeiras (4). NÃO DOBRE ESTE FILTRO.

- ◆ Sacuda o excesso de poeira batendo o filtro (10) contra um caixote do lixo.
- ◆ Substitua o filtro (10).
- ◆ Encaixe a tampa (3).
- ◆ Encaixe o extractor de poeiras (4) na ferramenta.

### Esvaziar o saco

- ◆ O saco (11) deve ser esvaziado a cada 10 minutos.
- ◆ Sacuda o saco para esvaziar o respectivo conteúdo

### Sugestões para uma utilização ideal (fig. E)

- ◆ Não coloque as mãos sobre as saídas de ventilação.
- ◆ Não exerça demasiada pressão sobre a ferramenta.
- ◆ Verifique regularmente o estado de conservação da folha de lixa. Substitua quando necessário.
- ◆ Lixe sempre com a granulação da madeira.
- ◆ Quando estiver a lixar novas camadas de tinta antes de aplicar outra camada, utilize granulação extrafina.
- ◆ Em superfícies muito irregulares ou para remover camadas de pintura, comece com uma granulação grossa. Noutras superfícies, comece com uma granulação fina. Em ambos os casos, mude gradualmente para uma granulação fina para conseguir um acabamento liso.
- ◆ Consulte o seu revendedor para obter mais informações sobre os acessórios disponíveis.

## MANUTENÇÃO

- ◆ A sua ferramenta Black & Decker foi concebida para funcionar por um longo período de tempo com uma manutenção mínima. Um funcionamento contínuo e satisfatório depende de uma manutenção adequada e da limpeza regular da ferramenta.
- ◆ Antes de proceder a qualquer acção de manutenção, desligue a ferramenta e retire a ficha da tomada.
- ◆ Limpe regularmente as aberturas de ventilação da ferramenta com uma escova ou um pano seco e suave.
- ◆ Limpe regularmente o compartimento do motor com um pano limpo húmido. Não utilize nenhum produto de limpeza abrasivo ou à base de solvente.

## Protecção do ambiente



Se algum dia verificar que é preciso substituir a ferramenta ou que esta deixou de ter utilidade, pense na protecção do ambiente. Os agentes de reparação da Black & Decker aceitam ferramentas Black & Decker antigas e garantem que são eliminadas de uma forma segura em termos ambientais.



A recolha separada de produtos e embalagens usados permite que os materiais sejam reciclados e novamente utilizados. A reutilização de materiais reciclados ajuda a evitar a poluição ambiental e reduz a procura de matérias-primas.

A legislação local poderá prever a recolha separada de produtos domésticos eléctricos, seja em lixeiras municipais ou através do revendedor quando adquire um produto novo.

A Black & Decker dispõe de instalações para recolha e reciclagem de produtos Black & Decker quando estes atingem o fim da sua vida útil. Para usufruir deste serviço, devolva o produto em qualquer agente de reparação autorizado, que os recolherá em seu nome.

Pode verificar a localização do agente de reparação autorizado mais perto de si, contactando os escritórios locais da Black & Decker através do endereço indicado neste manual. Se preferir, pode encontrar na Internet uma lista de agentes de reparação autorizados Black & Decker, detalhes completos e contactos do serviço pós-venda, no endereço: [www.2helpU.com](http://www.2helpU.com).

**Dados técnicos**

		KA171	KA171GT	KA171L
Tensão	Vac	230	230	230
Potência utilizada	W	200	200	200
Oscilações (sem carga)	min-1	15,000	15,000	15,000
Órbitas (sem carga)	min-1	30,000	30,000	30,000
Peso	kg	1.5	1.5	1.5

**Declaração de conformidade CE**

KA171, KA171GT, KA171L

A Black & Decker declara que estes produtos estão em conformidade com:

98/37/EC, 89/336/EEC, EN 60745, EN 55014, EN61000

LpA (pressão acústica) 84,7 dB(A),

LWA (potência acústica) 95,7 dB(A),

vibração medida da mão/do braço <5,0 m/s<sup>2</sup>

Kpa (imprecisão da pressão acústica) 3 dB(A),

Kwa (imprecisão da potência de som) 3 dB(A),

- ◆ O produto tiver sido danificado por objectos estranhos, substâncias ou acidentes.
- ◆ Tiverem sido tentadas reparações por pessoas que não sejam agentes de reparação autorizados ou técnicos de manutenção da Black & Decker.

Para acionar a garantia, terá de apresentar comprovativos de compra ao vendedor ou a um agente de reparação autorizado. Pode verificar a localização do agente de reparação autorizado mais perto de si, contactando os escritórios locais da Black & Decker através do endereço indicado neste manual. Se preferir, pode encontrar na Internet uma lista de agentes de reparação autorizados Black & Decker, detalhes completos e contactos do serviço pós-venda, no endereço:

[www.2helpU.com](http://www.2helpU.com)

Visite o nosso website [www.blackanddecker.co.uk](http://www.blackanddecker.co.uk) para registar o novo produto Black & Decker e manter-se actualizado relativamente a novos produtos e ofertas especiais. Pode encontrar mais informações sobre a marca Black & Decker e nossa gama de produtos em [www.blackanddecker.co.uk](http://www.blackanddecker.co.uk).



Kevin Hewitt  
 Director de Engenharia de Consumo  
 Spennymoor, County Durham  
 DL16 6JG,  
 Reino Unido  
 31-03-2006

**Garantia**

A Black & Decker confia na qualidade dos seus produtos e oferece uma garantia excelente. Esta declaração de garantia é um complemento dos seus direitos estabelecidos por lei, não os prejudicando de forma alguma. A garantia é válida nos territórios do Estados Membros da União Europeia e da Associação Europeia de Comércio Livre.

Se um produto Black & Decker se avariar devido a defeitos de material, fabrico ou não conformidade, num período de 24 meses após a data da compra, a Black & Decker garante a substituição de peças defeituosas, a reparação de produtos sujeitos a um desgaste aceitável ou a substituição dos mesmos para garantir o mínimo de inconveniente ao cliente, excepto se:

- ◆ O produto tiver sido utilizado para fins comerciais, profissionais ou de aluguer.
- ◆ O produto tiver sido submetido a utilização indevida ou descuido.

## Användningsområde

Din slipmaskin från Black & Decker är avsedd för slipning av trä, metall, plast och målade ytor. Verktyget är endast avsett som konsumentverktyg.

### Mönster- och patentinformation

Europeiskt patent EP1419856B1

GB-mönster nr 3011677

### Allmänna säkerhetsregler

Samtliga anvisningar ska läsas. Fel som uppstår till följd av att anvisningarna nedan inte följts kan orsaka elchock, brand och/eller allvarliga kroppsskador. Nedan använt begrepp "Elverktyg" hänför sig till nätdrivna elverktyg (med nätsladd) och till batteridrivna elverktyg (sladdlösa). TA VÄL VARA PÅ SÄKERHETSANVISNINGARNA.

#### 1. Arbetsområde

- Håll arbetsplatsen ren och välbelyst.** Oordning på arbetsplatsen och dåligt belyst arbetsområde kan leda till olyckor.
- Undvik explosionsrisk och använd inte elverktyget i omgivningar med brandfarliga vätskor, gaser eller damm.** Elverktyg alstrar gnistor som kan antända dammet eller gaserna.
- Håll under arbetet med elverktyget barn och obehöriga personer på betryggande avstånd.** Om du störs av obehöriga personer kan du förlora kontrollen över elverktyget.

#### 2. Elektrisk säkerhet

- Elverktygets stickpropp måste passa till vägguttaget. Stickproppen får absolut inte förändras. Använd inte adapterkontakter tillsammans med skyddsjordade elverktyg.** Oförändrade stickproppar och passande vägguttag reducerar risken för elchock.
- Undvik kroppskontakt med jordade ytor som t.ex. rör, värmelement, spisar och kylskåp.** Det finns en större risk för elchock om din kropp är jordad.
- Skydda elverktyget mot regn och vata.** Tränger vatten in i ett elverktyg ökar risken för elchock.
- Misshandla inte nätsladden. Använd inte sladden för att bära eller hänga upp elverktyget och inte heller för att dra stickproppen ur vägguttaget. Håll nätsladden på avstånd från värme, olja, skarpa kanter och rörliga maskindelar.** Skadade eller tilltrasslade sladdar ökar risken för elchock.
- Använd när du arbetar med ett elverktyg utomhus endast förlängningssladdar som är godkända för utomhusbruk.** Om en avsedd förlängningssladd för utomhusbruk används minskar risken för elchock.

#### 3. Personlig säkerhet

- Var uppmärksam, se på vad du gör och använd elverktyget med förnuft. Använd inte elverktyget när**

**du är trött eller om du är påverkad av droger, alkohol eller mediciner.** Under användning av elverktyg kan även en kort uppmärksamhet leda till allvarliga kroppsskador.

- Använd personlig skyddsutrustning. Bär alltid skyddsglasögon.** Den personliga skyddsutrustningen som t. ex. dammfiltermask, halkfria säkerhetsskor, hjälm eller hörselskydd - med beaktande av elverktygets modell och driftsätt - reducerar risken för kroppsskada.
- Undvik oavsiktlig igångsättning. Kontrollera att strömbrytaren står i avstängt läge innan du kopplar elverktyget till nätet.** Det kan vara mycket farligt att bära ett elverktyg med fingret på strömbrytaren eller att koppla det till nätet med strömbrytaren i till-läge.
- Ta bort alla inställningsverktyg och skruvnycklar innan du startar elverktyget.** Ett verktyg eller en nyckel i en roterande komponent kan medföra kroppsskada.
- Sträck dig inte för långt. Se till att du alltid har bra fotfäste och säker balans.** På så sätt kan du lättare kontrollera elverktyget i oväntade situationer.
- Bär lämpliga kläder. Bär inte löst hängande kläder eller smycken. Håll hår, kläder och handskar undan från rörliga delar.** Löst hängande kläder, smycken och långt hår kan dras in av roterande delar.
- Vid elverktyg med dammutsugnings- och dammuppsamlingsutrustning, kontrollera att anordningarna är rätt monterade och används på korrekt sätt.** Dessa anordningar minskar riskerna i samband med damm.
- Bruk och skötsel av elverktyg**
  - Överbelasta inte elverktyget. Använd rätt elverktyg för det aktuella arbetet.** Med ett lämpligt elverktyg kan du arbeta bättre och säkrare inom angivet effektområde.
  - Ett elverktyg med defekt strömbrytare får inte användas.** Ett elverktyg som inte kan kopplas till eller från är farligt och måste repareras.
  - Dra stickproppen ur vägguttaget innan inställningar utförs, tillbehörskomponenter byts ut eller elverktyget ställs undan.** Denna skyddsåtgärd förhindrar oavsiktlig inkoppling av elverktyget.
  - Förvara elverktygen oåtkomliga för barn. Låt inte elverktyget användas av personer som inte är förtrogna med dess användning eller inte läst denna anvisning.** Elverktygen är farliga om de används av oerfarna personer.
  - Sköt elverktyget omsorgsfullt. Kontrollera att rörliga komponenter fungerar felfritt och inte kärvar, att komponenter inte brustit eller skadats och inget annat föreligger som kan påverka elverktygets funktioner. Låt skadade delar repareras innan elverktyget används på nytt.** Många olyckor orsakas av dåligt skötta elverktyg.



- f. Håll skärverktyg skarpa och rena.** Omsorgsfullt skötta skärverktyg med skarpa eggar fastnar inte så lätt och går lättare att styra.
- g. Använd elverktyget, tillbehör, insatsverktyg osv. enligt dessa anvisningar och på sätt som föreskrivits för aktuell verktygsmodell. Ta hänsyn till arbetsvillkoren och arbetsmomenten.** Används elverktyget på icke ändamålsenligt sätt kan farliga situationer uppstå.
- 5. Service**
- a. Låt elverktyget endast repareras av kvalificerad fackpersonal och med originalreservdelar.** Detta garanterar att elverktygets säkerhet bibehålls.

#### Extra säkerhetsföreskrifter för slippmaskiner

- ◆ Använd alltid en dammskyddsmask vid slipning.
- ◆ Var noga med att ta bort allt slipdamm när slipningen har avslutats.
- ◆ Var speciellt försiktig när du slipar bort färg som eventuellt innehåller bly eller vid slipning av trä- och metallmaterial som kan avge giftigt slipdamm.
  - Använd en specialkonstruerad ansiktsmask som skyddar mot blyhaltigt damm eller ångor, samt se till att personer som vistas på, eller kommer i närheten av arbetsplatsen också är skyddade.
  - Låt aldrig barn eller gravida kvinnor vistas på arbetsplatsen.
  - Ät, drick och rök inte på arbetsplatsen.
  - Släng damm och annat avfall på miljösäker plats.
- ◆ Innan verktyget används på arbetsstycken av trä, ska dammkassetten monteras.
- ◆ Innan verktyget används på arbetsstycken av metall, ska dammkassetten avlägsnas.
- ◆ Använd aldrig verktyget utan slippapper.
- ◆ Använd aldrig verktyget utan basplatta.
- ◆ Apparaten är inte avsedd att användas av unga eller oerfarna personer utan övervakning. Barn måste hållas under uppsikt så att de inte leker med verktyget.
- ◆ Om nätsladden är skadad måste den för undvikande av fara bytas ut av tillverkaren eller en auktoriserad Black & Decker-verkstad.

#### Elektrisk säkerhet



Eftersom verktyget är dubbelisolerat behövs ingen jordledare. Kontrollera alltid att nätspänningen överensstämmer med värdet på typskylten.

#### Funktioner

1. Strömbrytare
2. Mjukt gel-grepp (endast KA171GT)
3. Hölje
4. Dammkassett (KA171, KA171GT, KA171L)
5. Dammuppsugningshåll
6. Basplatta
7. Spak till pappersklämma
8. Hålslag
9. Gallertillsats (KA171L)
10. Filter
11. Damppåse

#### Montering

**Varning!** Se till att verktyget är avstängt samt att det inte är anslutet innan monteringen börjar.

#### Montering av slippapper (fig. A & B)

**Varning!** Använd aldrig verktyget utan slippapper eller tillbehör på plats.

#### Montering av slippapper med nylonöglor (fig. A)

**Varning!** Se till att verktyget är avstängt samt att det inte är anslutet.

- ◆ Tryck slippapperet jämnt och hårt mot basplattan (6) och se till att hålen i papperet överensstämmer med hålen i plattan.

#### Montering av vanligt slippapper (fig. B)

**Varning!** Se till att verktyget är avstängt samt att det inte är anslutet.

- ◆ Mjuka upp slippappret genom att dra den släta (icke slipande) sidan mot kanten på en arbetsbänk.
- ◆ Tryck spakarna till pappersklämmorna (7) uppåt för att ta loss dem från skärorna som håller dem på plats och öppna pappersklämmorna (7) genom att trycka dem nedåt.
- ◆ Placera arket på basplattan (6).
- ◆ För in kanten på slippappret i den främre pappersklämman (7) som visas på bilden.
- ◆ Tryck spaken för den främre pappersklämman (7) nedåt och placera den i skåran som håller den på plats.
- ◆ Håll slippappret en aning spänt och för in andra änden i den bakre pappersklämman (7).
- ◆ Tryck spaken för den bakre pappersklämman (7) nedåt och placera den i skåran som håller den på plats.

#### Göra hål i slippapper (fig. C)

Hålslaget (8) är till för att göra dammuppsugningshål i slippapper som inte redan har sådana.

#### Fästa ett slippapper.

- ◆ Håll verktyget ovanför hålslaget (8).
- ◆ Tryck verktyget med basplattan (6) nedåt mot hålslaget.

- ◆ Ta bort verktyget från hålslaget och kontrollera om hålen i slippappret gått igenom helt.

## Montera och ta bort dammkassetten (fig. F) endast KA171, KA171GT, KA171L

- ◆ Montera dammkassetten (4) över dammuppsugningshålet (5).
- ◆ För att ta bort dammkassetten (4) drar du den bakåt och av från hålet.

## Montera och ta bort dammpåsen (fig. G)

- ◆ Montera dammpåsen (11) över dammuppsugningshålet (5).
- ◆ För att ta bort dammpåsen drar du den bakåt och av från hålet.

## Gallertillsats (fig. D) endast KA171L

Med gallertillsatsen kan du arbeta i springor och använda basplattan på båda sidor.

- ◆ Placera den främre delen av gallertillsatsen (9) på basplattan (6).
- ◆ Fäst den med de fyra skruvarna som medföljer.
- ◆ Placera ett halvt ark på undersidan av gallerbasplattan (9). En del av arket viker du över den främre delen av basplattan.
- ◆ Ta bort gallertillsatsen genom att följa anvisningarna i omvänd ordning.

## Användning

**Varning!** Låt verktyget arbeta i sin egen takt.

**Varning!** Överbelasta det inte.

## Slå på och av (fig. E)

- ◆ Tryck på den del av strömbrytaren (1) som är märkt med 'I' för att starta verktyget.
- ◆ Tryck på den del av strömbrytaren (1) som är märkt med 'O' för att stänga av verktyget.

## Tömma dammkassetten (fig. F)

- ◆ Dammkassetten (4) bör tömmas var tionde minut.
- ◆ Dra dammkassetten (4) bakåt och av verktyget.
- ◆ Ta loss höljet (3) genom att vrida det moturs.
- ◆ Håll dammkassetten med filtret (10) nedåt och töm den genom att skaka kassetten (4).
- ◆ Töm höljet (3) genom att skaka det.
- ◆ Sätt tillbaka höljet (3) på dammkassetten (4) genom att vrida det medurs tills det låses på plats.
- ◆ Sätt tillbaka dammkassetten (4) på verktyget.

## Rengöra dammkassettfiltret

**Varning!** Borsta inte och använd inte heller tryckluft eller vassa föremål när du rengör filtret. Tvätta inte filtret.

- ◆ Dammkassettfiltret (10) kan återanvändas och bör rengöras regelbundet.
- ◆ Töm dammkassettfiltret (10) enligt ovan.
- ◆ Dra loss filtret (10) från dammkassetten (4). VRID INTE FILTRET.

- ◆ Skaka loss överflödigt damm genom att slå filtret (10) lätt mot en papperskorg.
- ◆ Sätt tillbaka filtret (10).
- ◆ Sätt tillbaka höljet (3).
- ◆ Sätt tillbaka dammkassetten (4) på verktyget.

## Tömma dammpåsen.

- ◆ Dammpåsen (11) bör tömmas var tionde minut.
- ◆ Töm dammpåsen genom att skaka den

## Råd för bästa resultat (fig. E)

- ◆ Håll inte händerna över ventilationsöppningarna.
- ◆ Tryck inte för hårt på verktyget.
- ◆ Kontrollera slippapprets skick regelbundet. Byt slippapper vid behov.
- ◆ Slipa alltid i virkets fiberriktning.
- ◆ Använd extra finkornigt slippapper mellan strykningarna av nymålade ytor.
- ◆ På mycket ojämna ytor eller vid borttagning av flera färglager bör ett grovkornigt slippapper användas i början. På andra ytor startas slipningen med medelgrovt slippapper. I båda fallen bör ett finkornigare slippapper användas efter hand för att uppnå en jämn och slät yta.
- ◆ Kontakta din återförsäljare för mer information om tillgängliga tillbehör.

## Underhåll

- ◆ Detta Black & Decker-verktyg har tillverkats för att fungera under lång tid med ett minimum av underhåll. Med rätt underhåll och regelbunden rengöring behåller verktyget sin prestanda.
- ◆ Innan något underhåll utförs måste verktyget stängas av och sladden dras ur vägguttaget.
- ◆ Rengör regelbundet verktygets luftintag med en mjuk borste eller torr trasa.
- ◆ Rengör kåpan regelbundet med en fuktig trasa. Använd aldrig rengöringsmedel med lösnings- eller slipmedel.

## Miljö



När ditt verktyg är utslitet, skydda naturen genom att inte slänga det tillsammans med vanligt avfall. Black & Decker-verkstäder tar emot gamla Black & Decker-verktyg och ser till att de omhändertas på ett miljövänligt sätt.



Insamling av uttjänta produkter och förpackningsmaterial gör att material kan återanvändas. Användning av återvunnet material minskar föroreningar av miljön och behovet av råmaterial.

Lokala föreskrifter kan kräva separat insamling av elprodukter från hushållen, vid kommunala samlingsplatser eller hos återförsäljaren när du köper en ny produkt.

Black & Decker samlar in och återvinner uttjänta Black & Decker-produkter. Om du vill utnyttja denna tjänst återlämnar du produkten till en auktoriserad verkstad, som samlar in den för vår räknig.

För information om närmaste auktoriserade verkstad, kontakta det lokala Black & Decker-kontoret på den adress som är angiven i bruksanvisningen. En lista på alla auktoriserade verkstäder samt servicevillkor finns även tillgängliga på Internet: [www.2helpU.com](http://www.2helpU.com).

#### Tekniska data

		KA171	KA171GT	KA171L
Spänning	VAC	230	230	230
Ineffekt	W	200	200	200
Svängningar (obelastad)	per min	15 000	15 000	15 000
Varvtal (obelastad)	per min	30 000	30 000	30 000
Vikt	kg	1,5	1,5	1,5

#### EC-förklaring om överensstämmelse

KA171, KA171GT, KA171L

Black & Decker förklarar att dessa produkter överensstämmer med:

98/37/EG, 89/336/EEG, EN 60745, EN 55014, EN61000

LpA (ljudnivå) 84,7 dB(A),

LWA (akustisk effekt) 95,7 dB(A),

hand-/armvägd vibration <5,0 m/s<sup>2</sup>

KpA (osäkerhet bullertryck): 3 dB(A),

KWA (osäkerhet akustisk effekt): 3 dB(A),

- ◆ Produkten har utsatts för felaktig användning eller skötsel.
- ◆ Produkten har skadats av främmande föremål, ämnen eller genom olyckshändelse.
- ◆ Reparation har utförts av någon annan än en auktoriserad Black & Decker-verkstad.

För att utnyttja garantin skall produkten och inköpskvittot lämnas till återförsäljaren eller till en auktoriserad verkstad senast 2 månader efter det att felet har upptäckts.

För information om närmaste auktoriserad verkstad, kontakta det lokala Black & Decker-kontoret på den adress som är angiven i bruksanvisningen. En lista på alla auktoriserade verkstäder samt servicevillkor finns även tillgängliga på Internet:

[www.2helpU.com](http://www.2helpU.com)

Besök vår webbplats [www.blackanddecker.se](http://www.blackanddecker.se) för att registrera din nya Black & Decker-produkt samt för att erhålla information om nya produkter och specialerbjudanden. Vidare information om märket Black & Decker och vårt produktsortiment återfinns på [www.blackanddecker.se](http://www.blackanddecker.se).



Kevin Hewitt  
Director of Consumer Engineering  
Spennymoor, County Durham  
DL16 6JG,  
Storbritannien  
31-03-2006

#### Garanti

Black & Decker garanterar att produkten är fri från material- och/eller fabrikationsfel vid leverans till kund. Garantin är i tillägg till konsumentens lagliga rättigheter och påverkar inte dessa. Garantin gäller inom medlemsstaterna i Europeiska Unionen och i det Europeiska Frihandelsområdet.

Om en Black & Decker-produkt går sönder på grund av material- och/eller fabrikationsfel eller brister i överensstämmelse med specifikationen, inom 24 månader från köpet, åtar sig Black & Decker att reparera eller byta ut produkten med minsta besvär för kunden, förutom om:

- ◆ Produkten har använts i kommersiellt, yrkesmässigt eller uthyringssyfte.

## Bruksområde

Sliperen fra Black & Decker er konstruert for sliping av treverk, metall, plast og malte overflater. Verktøyet er tiltenkt kun som konsumentverktøy.

### Konstruksjons- og patentinformasjon

Europeisk patent EP1419856B1

GB Design No 3011677

## Generelle sikkerhetsforskrifter

Les gjennom alle anvisningene. Hvis anvisningene nedenfor ikke overholdes, kan det medføre elektrisk støt, brann og/eller alvorlige skader. Uttrykket "elektroverktøy" i alle advarslene nedenfor gjelder for strømdrevne elektroverktøy (med ledning) og batteridrevne elektroverktøy (uten ledning).  
TA GODT VARE PÅ DISSE ANVISNINGENE.

### 1. Arbeidsplassen

- a. **Hold arbeidsområdet rent og godt opplyst.** Rotete arbeidsområder og arbeidsområder uten lys kan føre til ulykker.
- b. **Ikke arbeid med elektroverktøy i eksplosjonsfarlige omgivelser – der det befinner seg brennbare væsker, gass eller støv.** Elektroverktøy forårsaker gnister som kan antenne støv eller damper.
- c. **Hold barn og andre personer unna når elektroverktøyet brukes.** Hvis du blir forstyrret under arbeidet, kan du miste kontrollen.

### 2. Elektrisk sikkerhet

- a. **Støpselet til elektroverktøyet må passe inn i stikkkontakten. Støpselet må ikke forandres på noen som helst måte. Ikke bruk adapterstøpsler sammen med jordede elektroverktøy.** Bruk av originale støpsler og passende stikkontakter reduserer risikoen for elektrisk støt.
- b. **Unngå kroppskontakt med jordede overflater som rør, radiatorer, komfyrer og kjøleskap.** Det er større fare for elektrisk støt dersom kroppen din er jordet.
- c. **Hold elektroverktøy unna regn eller fuktighet.** Dersom det kommer vann i et elektroverktøy, øker faren for elektrisk støt.
- d. **Unngå uforvarlig behandling av ledningen. Elektroverktøyet må aldri bæres eller trekkes etter ledningen, og trekk heller ikke ut støpselet ved å rykke i ledningen. Hold ledningen unna varme, olje, skarpe kanter eller bevegelige deler.** Med skadde eller sammenflokede ledninger øker risikoen for elektrisk støt.
- e. **Når du arbeider utendørs med et elektroverktøy, må du kun bruke en skjøteleddning som er godkjent til utendørs bruk.** Ved å bruke en skjøteleddning som er egnet for utendørs bruk, reduseres risikoen for elektrisk støt.

### 3. Personssikkerhet

- a. **Vær oppmerksom, pass på hva du gjør og gå fornuftig fram når du arbeider med et elektroverktøy. Ikke bruk elektroverktøy når du er trett eller er påvirket av narkotiske stoffer, alkohol eller medikamenter.** Et øyeblikks uoppmerksomhet under bruk av verktøyet kan føre til alvorlig personskade.
  - b. **Bruk personlig verneutstyr. Bruk alltid vernebriller.** Bruk av personlig verneutstyr, for eksempel støvmaske, sklisliske vemesko, hjelm eller hørselsvern som passer til forholdene, reduserer risikoen for personskader.
  - c. **Unngå utilsiktet start av elektroverktøyet. Sørg for at bryteren står i posisjon "av" før verktøyet kobles til.** Det kan føre til ulykker hvis du bærer elektroverktøyet med fingeren på bryteren, eller kobler til verktøyet når bryteren ikke står i posisjon "av".
  - d. **Fjern innstillingsverktøy eller skrunøkler før du slår på elektroverktøyet.** Et verktøy eller en nøkkel som befinner seg i en roterende del, kan føre til personskade.
  - e. **Ikke strekk deg for langt. Pass på at du alltid har sikkert fotfeste og god balanse.** Da kan du kontrollere elektroverktøyet bedre i uventede situasjoner.
  - f. **Bruk alltid egnete klær. Ikke bruk løstsittende klær eller smykker. Hold hår, klær og hansker unna bevegelige deler.** Løstsittende tøy, smykker eller langt hår kan komme inn i bevegelige deler.
  - g. **Hvis det kan monteres støvavsug- og oppsamlingsinnretninger, må du sørge for at disse er tilkoblet og brukes på korrekt måte.** Bruk av disse innretningene reduserer faren i forbindelse med støv.
- ### 4. Aktsom håndtering og bruk av elektroverktøy
- a. **Ikke bruk makt på elektroverktøyet. Bruk et elektroverktøy som er beregnet på den type arbeid du vil utføre.** Med et passende elektroverktøy arbeider du bedre og sikrere i det angitte effektområdet.
  - b. **Ikke bruk elektroverktøy med defekt strømbryter.** Et elektroverktøy som ikke lenger kan slås av eller på med bryteren, er farlig og må repareres.
  - c. **Trekk støpselet ut av stikkkontakten før du utfører innstillinger på elektroverktøyet, skifter tilbehørsdeler eller legger elektroverktøyet bort.** Disse tiltakene reduserer risikoen for en utilsiktet start av elektroverktøyet.
  - d. **Elektroverktøy som ikke er i bruk, må oppbevares utilgjengelig for barn. Ikke la verktøyet brukes av personer som ikke er fortrolig med dette, eller som ikke har lest disse bruksanvisningene.** Elektroverktøy er farlige når de brukes av uerfarne personer.
  - e. **Vær nøye med vedlikehold av elektroverktøy. Kontroller om bevegelige deler fungerer feilfritt og ikke klemmes fast, om deler er brukt eller skadet**

**og andre forhold som kan innvirke på elektroverktøets funksjon. Hvis elektroverktøyet er skadet, må det repareres før bruk.** Dårlig vedlikeholdte elektroverktøy er årsaken til mange uhell.

- f. Hold skjæreverktøy skarpe og rene.** Godt vedlikeholdte skjæreverktøy med skarpe egger setter seg ikke så ofte fast og er lettere å føre.
- g. Bruk elektroverktøy, tilbehør, bits osv. i henhold til disse anvisningene og slik det er foreskrevet for denne spesielle verktøytypen. Ta hensyn til arbeidsforholdene og arbeidet som skal utføres.** Bruk av elektroverktøy til andre formål enn det som er angitt, kan føre til farlige situasjoner.
- 5. Service**
- a. Elektroverktøyet ditt skal alltid repareres av kvalifisert personell og kun med originale reservedeler.** Dette forsikrer at elektroverktøets sikkerhet opprettholdes.

#### Ekstra sikkerhetsinstruksjoner for slipemaskiner

- ◆ Bruk alltid støvmaske under sliping.
- ◆ Fjern alt støv grundig etter sliping.
- ◆ Vær ekstra forsiktig når du pusser maling som kan inneholde bly, eller metall som kan avgi giftig støv:
  - Bruk en spesialmaske som verner mot støv fra blymaling og damp, og pass på at andre som oppholder seg eller kommer inn i området der du arbeider, også beskytter seg.
  - Ikke la barn eller gravide komme inn der du arbeider.
  - Ikke spis, drikk eller røyk der du arbeider.
  - Kvitt deg med støvpartikler eller annet avfall på en miljøvennlig måte.
- ◆ Før verktøyet brukes på trematerialer, må støvkassetten monteres.
- ◆ Før verktøyet brukes på metall, må støvkassetten fjernes.
- ◆ Verktøyet må aldri brukes uten slipepapir.
- ◆ Verktøyet må aldri brukes uten slipebase.
- ◆ Dette apparatet skal ikke brukes av barn eller svakelige personer uten tilsyn. Påse at barn ikke leker med apparatet.
- ◆ Hvis strømfedningen blir skadet, må den skiftes av produsenten eller et autorisert Black & Decker-servicesenter for å unngå fare.

#### Elektrisk sikkerhet



Dette apparatet er dobbeltisolert. Jording er derfor ikke nødvendig. Kontroller at spenningen er i overensstemmelse med spenningen på typeskiltet.

#### Funksjoner

1. Strømbryter
2. Mykt håndtak (bare KA171GT)
3. Deksel
4. Støvkasset (KA171, KA171GT, KA171L)
5. Støvuttak
6. Slipebase
7. Papirklemmehåndtak
8. Papirstanser
9. Sjalusittelbehør (KA171L)
10. Filter
11. Støvpøse

#### Montering

**Advarsel!** Før monteringen må du passe på at verktøyet er slått av og at kontakten er trukket ut.

#### Sette på slipepapir (figur A og B)

**Advarsel!** Verktøyet må aldri brukes uten slipepapir eller tilbehør montert.

#### Sette på slipepapir med nylonløkker (figur A)

**Advarsel!** Sørg for at verktøyet er slått av og at kontakten er trukket ut.

- ◆ Trykk slipepapiret fast på slipebasen (6). Pass på at hullene i slipepapiret ligger rett over hullene i basen.

#### Sette på vanlig slipepapir (figur B)

**Advarsel!** Sørg for at verktøyet er slått av og at kontakten er trukket ut.

- ◆ Myk opp slipepapiret ved å gni baksiden over kanten av en arbeidsbenk eller lignende.
- ◆ Trykk papirklemmespakene (7) oppover slik at de løsner fra rillene, og åpne papirklemmene (7) ved å trykke dem ned.
- ◆ Legg slipepapiret på slipebasen (6).
- ◆ Sett kanten av slipepapiret inn i den fremre papirklemmen (7) som vist.
- ◆ Trykk spaken for den fremre papirklemmen (7) ned og fest den i rillen.
- ◆ Mens du holder slipepapiret litt stramt, setter du den bakre kanten av slipepapiret inn i den bakre papirklemmen (7).
- ◆ Trykk spaken for den bakre papirklemmen (7) ned og fest den i rillen.

#### Stanse ut hull i slipepapir (figur C)

Papirstanseren (8) brukes til å stanse ut støvuttakshull i slipepapir som ikke har ferdigstansede hull.

#### Sett på slipepapir.

- ◆ Hold verktøyet like over papirstanseren (8).
- ◆ Trykk verktøyet med slipebasen (6) ned i papirstanseren.

- ◆ Ta verktøyet av papirstanseren og kontroller at hullene i slipepapiret er ordentlig stanset ut.

## Sett inn og fjern støvkassetten (figur F) – bare KA171, KA171GT, KA171L

- ◆ Sett inn støvkassetten (4) over støvuttaket (5).
- ◆ Støvkassetten (4) fjernes ved å trekke den bakover og av uttaket.

## Sett på og ta av støvposen (figur G).

- ◆ Sett på støvposen (11) over støvuttaket (5).
- ◆ Støvposen fjernes ved å trekke den bakover og av uttaket.

## Sjalusitilbehør (figur D) – bare KA171L

Med sjalusitilbehøret kan du arbeide i trange hulrom og bruke slipebasen på begge sider.

- ◆ Plasser fremre del av sjalusitilbehøret (9) på slipebasen (6).
- ◆ Fest det ved hjelp av de fire skruene som følger med.
- ◆ Fest et halvt ark til undersiden av sjalusibasen (9). En del av det vil foldes over foran på basen.
- ◆ Sjalusitilbehøret fjernes ved å utføre prosedyren i omvendt rekkefølge.

## Bruk

**Advarsel!** La verktøyet jobbe med sin egen hastighet.

**Advarsel!** Ikke overbelast det.

## Start og stopp (figur E)

- ◆ Trykk på delen av strømbryteren (1) merket "T" for å slå verktøyet på.
- ◆ Trykk på delen av strømbryteren (1) merket "0" for å slå verktøyet av.

## Tømme støvkassetten (figur F)

- ◆ Støvkassetten (4) må tømmes hvert 10. minutt.
- ◆ Trekk støvkassetten (4) tilbake og av verktøyet.
- ◆ Fjern dekelelet (3) ved å vri det mot venstre.
- ◆ Hold støvkassetten med filteret (10) vendt ned og rist kassetten (4) for å tømme ut innholdet.
- ◆ Rist dekelelet (3) for å tømme ut innholdet.
- ◆ Sett dekelelet (3) tilbake på støvkassetten (4), vri det mot høyre til det låses på plass.
- ◆ Sett inn støvkassetten (4) i verktøyet igjen.

## Rengjør støvkassetfilteret

**Advarsel!** Ikke rengjør filteret med børste, trykkluft eller skarpe gjenstander. Ikke vask filteret.

- ◆ Støvkassetfilteret (10) kan brukes om igjen og bør rengjøres jevnlig.
- ◆ Tøm støvkassetfilteret (10) som beskrevet ovenfor.
- ◆ Trekk filteret (10) av støvkassetten (4). IKKE VRI FILTERET.
- ◆ Rist av overflødig støv ved å banke filteret (10) over en avfallsdunk.
- ◆ Sett filteret (10) inn igjen.

- ◆ Sett på plass dekelelet (3).
- ◆ Sett inn støvkassetten (4) i verktøyet.

## Tømme støvposen

- ◆ Støvposen (11) må tømmes hvert 10. minutt.
- ◆ Rist støvposen for å tømme ut innholdet.

## Råd for optimal bruk (figur E)

- ◆ Ikke blokker ventilasjonsåpningene med hendene.
- ◆ Ikke trykk for hardt på verktøyet.
- ◆ Sjekk slipepapirets tilstand regelmessig. Bytt etter behov.
- ◆ Slip alltid i treets fiberretning.
- ◆ Når du skal slippe nye malingsstrøk før du skal male et nytt strøk, bruker du ekstra finkornet slipepapir.
- ◆ På veldig ujevne overflater, eller når du skal fjerne flere lag med maling, begynner du med et grovere slipepapir. På andre overflater begynner du med et middels grovkornet slipepapir. I begge tilfeller bytter du gradvis til mer finkornet slipepapir for å få en glattere overflate.
- ◆ Kontakt forhandleren for å få mer informasjon om tilgjengelig tilbehør.

## Vedlikehold

- ◆ Black & Decker-verktøyet ditt er konstruert for å være i drift over lengre tid med et minimum av vedlikehold. Det er avhengig av godt vedlikehold og regelmessig rengjøring for å fungere som det skal til enhver tid.
- ◆ Før vedlikehold må verktøyet slås av og støpselet trekkes ut.
- ◆ Rengjør ventilasjonsåpningene på verktøyet regelmessig med en myk, tørr børste eller en tørr klut.
- ◆ Rengjør motorhuset regelmessig med en ren, fuktig klut. Ikke bruk slipende eller løsemiddelbaserte rengjøringsmidler.

## Miljø



Når verktøyet er utslitt, bør det kasseres på en miljøvennlig måte. Black & Decker-serviceverkstedene tar i mot gamle Black & Decker-verktøy og kasserer dem på en miljømessig forsvarlig måte.



Hvis brukte produkter og emballasje leveres atskilt, kan materialer resirkuleres og brukes på nytt. Resirkulering av brukte produkter gir redusert miljøforurensing og mindre behov for råmaterialer.

Det kan være lokale bestemmelser for egen innsamling av elektriske produkter fra husstander, på kommunale avfallsplasser eller hos forhandleren når du kjøper et nytt produkt.

Black & Decker tar i mot brukte Black & Decker-produkter for resirkulering. Du kan levere produktet til et autorisert serviceverksted.

For informasjon om nærmeste autoriserte serviceverksted, kontakt ditt lokale Black & Decker-kontor på den adressen som er angitt i bruksanvisningen. Det finnes også en liste over autoriserte Black & Decker-serviceverksteder og opplysninger om ettersalgsservice og kontakter på Internett: [www.2helpU.com](http://www.2helpU.com).

#### Tekniske data

	KA171	KA171GT	KA171L
Spenning	Vac 230	230	230
Inn-effekt	W 200	200	200
Svingninger (ubelastet)	min-1 15000	15000	15000
Omdreininger (ubelastet)	min-1 30000	30000	30000
Vekt	kg 1,5	1,5	1,5

### Samsvarserklæring for EU

KA171, KA171GT, KA171L

Black & Decker erklærer at disse produktene overholder: 98/37/EF, 89/336/EØF, EN 60745, EN 55014, EN61000

LpA (lydtrykk) 84,7 dB(A),

LWA (akustisk effekt) 95,7 dB(A),

hånd/arm-vektet vibrasjon <5,0 m/s<sup>2</sup>

Kpa (lydtrykksusikkerhet 3 dB(A),

Kwa (usikkerhet i lydeffekt 3 dB(A),

- ♦ produktet har blitt skadet av fremmede gjenstander eller stoffer eller ved et uhell.
- ♦ reparasjoner er forsøkt utført av andre enn autoriserte serviceverksteder eller Black & Deckers serviceteknikere.

For å ta garantien i bruk skal produktet og kjøpekvittering leveres til forhandleren eller til et autorisert serviceverksted. For informasjon om nærmeste autoriserte serviceverksted, kontakt ditt lokale Black & Decker-kontor på den adressen som er angitt i bruksanvisningen. En oversikt over autoriserte serviceverksteder og opplysninger om ettersalgsservice og kontakter er også tilgjengelig på Internett:

[www.2helpU.com](http://www.2helpU.com)

Besøk vårt webområde [www.blackanddecker.no](http://www.blackanddecker.no) for å registrere ditt nye Black & Decker-produkt og for å holde deg oppdatert om nye produkter og spesialtilbud. Du finner mer informasjon om Black & Decker og produktutvalget vårt på [www.blackanddecker.no](http://www.blackanddecker.no).



Kevin Hewitt  
Direktør for forbrukerteknikk  
Spennymoor, County Durham  
DL16 6JG,  
Storbritannia  
31-03-2006

### Garanti

Black & Decker er trygg på kvaliteten til sine produkter og tilbyr en enestående garanti. Denne garantierklæringen kommer i tillegg til dine lovbestemte rettigheter, og er ikke i konflikt med disse. Garantien er gyldig i EU- og EFTA-medlemsstatene.

Hvis et Black & Decker-produkt går i stykker på grunn av material- og/eller fabrikkasjonsfeil eller har mangler i forhold til spesifikasjonene, innen 24 måneder fra kjøpet, påtar Black & Decker seg å skifte ut defekte deler, reparere produkter som har vært utsatt for alminnelig slitasje, eller bytte ut slike produkter med minst mulig vanskelighet for kunden, med mindre:

- ♦ produktet har vært brukt i yrkes-/næringsvirksomhet eller til utleie.
- ♦ produktet har vært utsatt for feilaktig bruk eller mislighold.

## Anvendelsesområde

Din Black & Decker-slibemaskine er designet til slibning af træ, metal, plastic og malede overflader. Værktøjet er kun beregnet til privat brug.

### Design- og patentoplysninger

Europæisk patent EP1419856B1

GB designnr. 3011677

## Generelle sikkerhedsregler

Læs alle instruktionerne. Hvis nedenstående instruktioner ikke følges, kan der opstå risiko for elektrisk stød, brand og/eller alvorlige personskader. Begrebet "elværktøj", der benyttes i nedenstående advarsler, henviser til netdrevne (med netledning) eller batteridrevne maskiner (uden netledning). DISSE INSTRUKTIONER BØR OPBEVARES TIL SENERE BRUG.

### 1. Arbejdsområde

- a. **Sørg for, at arbejdsområdet er rent og ordentligt oplyst.** Uordentlige og uoplyste arbejdsområder øger faren for uheld.
- b. **Brug ikke elværktøj i eksplosionstruede omgivelser, f.eks. hvor der er brændbare væsker, gasser eller støv.** Elværktøj kan slå gnister, der kan antænde støv eller dampe.
- c. **Sørg for, at børn og andre personer holder sig på afstand, når elværktøjet er i brug.** Hvis man bliver distraheret, kan man miste kontrollen over værktøjet.

### 2. Electricitet og sikkerhed

- a. **Elværktøjsstik skal passe til stikkontakten. Stikket må under ingen omstændigheder ændres. Brug ikke adapterstik sammen med jordforbundet elværktøj.** Uændrede stik, der passer til stikkontakterne, nedsætter risikoen for elektrisk stød.
- b. **Undgå kropskontakt med jordforbundne overflader som f.eks. rør, radiatorer, komfurer og køleskabe.** Hvis din krop er jordforbundet, øges risikoen for elektrisk stød.
- c. **Elværktøj må ikke udsættes for regn eller fugt.** Indtrængen af vand i elværktøj øger risikoen for elektrisk stød.
- d. **Undgå at ødelægge ledningen. Undgå at bære, trække eller afbryde elværktøjet ved at rykke i ledningen. Beskyt ledningen mod varme, olie, skarpe kanter eller maskindele, der er i bevægelse.** Beskadigede eller indviklede ledninger øger risikoen for elektrisk stød.
- e. **Hvis elværktøj benyttes i det fri, skal der benyttes en forlængerledning, som er godkendt til udendørs brug.** Brug af en forlængerledning til udendørs brug nedsætter risikoen for elektrisk stød.

### 3. Personlig sikkerhed

- a. **Det er vigtigt at være opmærksom, holde øje med, hvad man laver, og bruge elværktøjet fornuftigt.**

**Man bør ikke bruge værktøjet, hvis man er træt, har nydt alkohol eller er påvirket af medicin eller euforiserende stoffer.** Få sekunders uopmærksomhed ved brug af elværktøj kan føre til alvorlige personskader.

- b. **Brug sikkerhedsudstyr. Brug altid beskyttelsesbriller.** Brug af sikkerhedsudstyr som f.eks. støvmaske, skridsikkert fodtøj, beskyttelseshjelm eller høreværn nedsætter risikoen for personskader, hvis udstyret anvendes korrekt.
- c. **Undgå utilsigtet igangsætning. Sørg for, at elværktøjets afbryder er i slukket position, før det sluttes til strømmen.** Hvis man bærer elværktøj med fingeren på afbryderen, eller hvis man slutter værktøjet til strømmen, mens afbryderen er i tændt position, er der risiko for ulykker.
- d. **Fjern indstillingsværktøj eller skruenøgle, inden elværktøjet tændes.** Et værktøj eller en nøgle, der efterlades i en roterende del i elværktøjet, kan resultere i personskader.
- e. **Overvurder ikke dig selv. Sørg for, at du altid har sikkert fodfæste og balance.** Det gør det nemmere at kontrollere elværktøjet, hvis der skulle opstå uventede situationer.
- f. **Brug egnet arbejdstøj. Undgå løse beklædningsgenstande eller smykker. Hold håret, tøj og handsker væk fra dele, der bevæger sig.** Bevægelige dele kan gribe fat i løstsiddende tøj, smykker eller langt hår.
- g. **Hvis støvudsugnings- og opsamlingsudstyr kan monteres, er det vigtigt, at dette tilsluttes og benyttes korrekt.** Brug af dette udstyr nedsætter risikoen for støvrelaterede personskader.
4. **Brug og vedligeholdelse af elværktøj**
  - a. **Undgå at overbelaste elværktøjet. Brug altid det rette elværktøj til opgaven.** Med det rigtige elværktøj udføres arbejdet lettere og sikrere og i det tempo, som værktøjet er beregnet til.
  - b. **Brug ikke elværktøjet, hvis afbryderen er defekt.** Elværktøj, der ikke kan kontrolleres med afbryderen, er farligt og skal repareres.
  - c. **Træk stikket ud af stikkontakten inden indstilling, tilbehørsudskiftning eller opbevaring af elværktøjet.** Disse sikkerhedsforanstaltninger reducerer risikoen for utilsigtet start af værktøjet.
  - d. **Opbevar ubenyttet elværktøj uden for børns rækkevidde. Lad aldrig personer, der ikke er fortrolige med elværktøj, eller som ikke har gennemlæst disse instruktioner, benytte maskinen.** Elværktøj er farligt, hvis det benyttes af ukyndige personer.
  - e. **Elværktøj bør vedligeholdes omhyggeligt. Kontrollér, om bevægelige dele fungerer korrekt og ikke sidder fast, og om delene er brækket eller beskadiget, således**



**at elværktøjets funktion påvirkes. Få beskadigede dele repareret, inden elværktøjet tages i brug.** Mange uheld skyldes dårligt vedligeholdt elværktøj.

- f. Sørg for, at skæreværktøjer er skarpe og rene.** Omhyggeligt vedligeholdte skæreværktøjer med skarpe skærekanter sætter sig ikke så hurtigt fast og er nemmere at føre.
- g. Brug elværktøj, tilbehør, indsatsværktøj osv. i overensstemmelse med disse instruktioner, og sådan som det kræves for den pågældende værktøjstype. Tag hensyn til arbejdsforholdene og det arbejde, der skal udføres.** I tilfælde af anvendelse af elværktøjet til formål, som ligger uden for det fastsatte anvendelsesområde, kan der opstå farlige situationer.
- 5. Service**
- a. Sørg for, at elværktøjet kun repareres af kvalificerede fagfolk, og at der kun benyttes originale reservedele.** Dermed opretholdes elværktøjets sikkerhed.

#### Yderligere sikkerhedsvejledninger for slibemaskiner

- ◆ Man skal altid bære støvmaske under slibning.
- ◆ Man skal grundigt fjerne alt støv efter slibning.
- ◆ Man skal være specielt opmærksom ved slibning af maling, som er blybaseret, og ved slibning af nogle typer træ og metal, som kan frembringe giftigt støv:
  - Bær en specielt designet støvmaske til beskyttelse mod støv og røg, og sørg for, at personer i eller ved adgangen til arbejdsområdet også er beskyttet.
  - Børn og gravide kvinder må ikke betræde arbejdsområdet.
  - Man må hverken spise, drikke eller ryge inden for arbejdsområdet.
  - Støvpartikler og andet affald skal bortskaffes på en sikker måde.
- ◆ Før man bruger værktøjet på arbejdsemner af træ, skal støvkassetten påsættes.
- ◆ Før man bruger værktøjet på arbejdsemner af metal, skal støvkassetten fjernes.
- ◆ Brug aldrig værktøjet uden slibepapir.
- ◆ Brug aldrig værktøjet uden slibefod.
- ◆ Dette apparat må ikke bruges af unge eller svagelige personer uden opsyn. Børn skal holdes under opsyn, så det sikres, at de ikke leger med maskinen.
- ◆ Hvis netledningen beskadiges, skal den udskiftes af producenten eller et autoriseret Black & Decker-værksted, så farlige situationer undgås.

#### Elektricitet og sikkerhed



Denne maskine er dobbelt isoleret. Derfor er jordledning ikke nødvendig. Kontroller altid, at strømforsyningen svarer til spændingen på typeskiltet.

#### Funktioner

1. Afbryder
2. Gel-komfortgreb (kun KA171GT)
3. Hætte
4. Støvkassette (KA171, KA171GT, KA171L)
5. Støvudsugningsudgang
6. Slibefod
7. Arm til papirklemme
8. Slibearkperforator
9. Jalousitilbehør (KA171L)
10. Filter
11. Støvpøse

#### Montering

**Advarsel!** Før montage skal man sikre sig, at værktøjet er slukket og taget ud af stikkontakten.

#### Påsætning af slibeark (fig. A & B)

**Advarsel!** Brug aldrig værktøjet uden slibepapir eller påsat tilbehør.

#### Montering af slibepapir med nylonringe (fig. A)

**Advarsel!** Sørg for, at værktøjet er slukket og taget ud af stikkontakten.

- ◆ Tryk arket hårdt og jævnt fast på slibefoden (6), og sørg for, at hullerne i arket passer med hullerne i foden.

#### Påsætning af almindelige slibeark (fig. B)

**Advarsel!** Sørg for, at værktøjet er slukket og taget ud af stikkontakten.

- ◆ Blødgør slibearket ved at gnide den ikke-slibende side omkring kanten af et arbejdsbord.
- ◆ Tryk papirklemmearmene (7) opad for at frigøre dem fra låsesporene, og åbn papirklemmerne (7) ved at trykke dem nedad.
- ◆ Sæt arket på slibefoden (6).
- ◆ Sæt kanten af slibearket ind i den forreste papirklemme (7) som vist.
- ◆ Tryk den forreste papirklemmearm (7) nedad, og fastgør den i låsesporet.
- ◆ Oprethold et let tryk på arket, og indfør samtidig den bageste kant af arket i den bageste papirklemme (7).
- ◆ Tryk den bageste papirklemmearm (7) nedad, og fastgør den i låsesporet.

#### Perforering af slibeark (fig. C)

Slibearkperforatoren (8) bruges til at trykke støvopsamlingshuller i slibeark, der leveres uden huller.

#### Påsæt et slibeark.

- ◆ Hold værktøjet på plads lige over arkperforatoren (8).
- ◆ Tryk værktøjet med slibefoden (6) ned i arkperforatoren.

- ◆ Tag værktøjet væk fra arkperforatoren, og undersøg, om hullerne i slibebæret er fuldstændigt gennemgående.

## Montering og afmontering af støvkassetten (fig. F) kun KA171, KA171GT, KA171L

- ◆ Sæt støvkassetten (4) fast over støvudsugningsudgangen (5).
- ◆ Støvkassetten (4) fjernes ved at trække den bagud og fri af udgangen.

## Montering og afmontering af støvposen (fig. C)

- ◆ Sæt støvposen (11) fast over støvudsugningsudgangen (5).
- ◆ Støvposen fjernes ved at trække den bagud og fri af udgangen.

## Jalousitilbehør (fig. D) kun KA171L

Med dette tilbehør kan der arbejdes i sprækker, hvor det er muligt at anvende begge sider af slibefoden.

- ◆ Anbring forenden af jalousitilbehøret (9) på slibefoden (6).
- ◆ Fastgør det med de fire medfølgende skruer.
- ◆ Anbring halvdelen af arket på undersiden af jalousifoden (9). En del af det kommer til at blive foldet hen over den forreste del af foden.
- ◆ Jalousitilbehøret fjernes ved at udføre proceduren i omvendt rækkefølge.

## Anvendelse

**Advarsel!** Lad værktøjet arbejde i dets eget tempo.

**Advarsel!** Det må ikke overbelastes.

## Start og stop (fig. E)

- ◆ Tænd værktøjet ved at trykke på den del af tænd/sluk-kontakten (1), der er markeret med "1".
- ◆ Sluk værktøjet ved at trykke på den del af tænd/sluk-kontakten (1), der er markeret med "0".

## Tømning af støvkassetten (fig. F)

- ◆ Støvkassetten (4) skal tømmes hvert 10. minut.
- ◆ Træk støvkassetten (4) bagud og fri af værktøjet.
- ◆ Afmonter hættten (3) ved at dreje den mod uret.
- ◆ Hold støvkassetten med filteret (10) nedad, og ryst kassetten (4) for at få indholdet tømt ud.
- ◆ Ryst hættten (3) for at få indholdet tømt ud.
- ◆ Genmonter hættten (3) på støvkassetten (4) ved at dreje den med uret, indtil den låses på plads.
- ◆ Sæt støvkassetten (4) på plads i værktøjet.

## Rengøring af støvkassettefilteret

**Advarsel!** Der må ikke bruges børster, trykluft eller skarpe genstande til rengøring af filteret. Filteret må heller ikke vaskes.

- ◆ Støvkassettefilteret (10) kan genbruges og skal rengøres jævnlige.
- ◆ Tøm støvkassettefilteret (10) som beskrevet ovenfor.
- ◆ Træk filteret (10) af støvkassetten (4). FILTERET MÅ IKKE DREJES

- ◆ Ryst det overskydende støv af ved at banke på filteret (10) over en skraldespand.
- ◆ Udskift filteret (10).
- ◆ Monter hættten (3).
- ◆ Sæt støvkassetten (4) på plads i værktøjet.

## Tømning af støvposen

- ◆ Støvposen (11) skal tømmes hvert 10. minut.
- ◆ Ryst støvposen for at få indholdet tømt ud.

## Gode råd til optimal brug (fig. E)

- ◆ Man må ikke placere hænderne over ventilationsåbninger.
- ◆ Man må ikke udøve for stort tryk på værktøjet.
- ◆ Man skal regelmæssigt kontrollere slibebærets tilstand. Det skal udskiftes, når det er nødvendigt.
- ◆ Slib altid med åreerne i træet.
- ◆ Anvend ekstra finkornet slibepapir mellem påføring af nye lag maling.
- ◆ På meget ujævne overflader, eller når man fjerner lag af maling, skal man starte med en grov kornstørrelse. På andre overflader startes der med en mellemfin kornstørrelse. I begge tilfælde skal man gradvist ændre til en fin kornstørrelse for at opnå en glat finish.
- ◆ Få flere oplysninger om tilgængeligt tilbehør hos detailhandleren.

## Vedligeholdelse

- ◆ Dit Black & Decker-værktøj er beregnet til at være i drift gennem en længere periode med minimal vedligeholdelse. Fortsat tilfredsstillende drift afhænger af korrekt behandling af værktøjet samt regelmæssig rengøring.
- ◆ Før der udføres vedligeholdelse, skal værktøjet slukkes og stikket trækkes ud.
- ◆ Man skal regelmæssigt rengøre værktøjets ventilationshuller med en blød børste eller en tør klud.
- ◆ Rens med jævne mellemrum motorhuset med en fugtig klud. Der må ikke bruges skuremidler eller opløsningsmidler.

## Miljø



Når dit værktøj er udtjent, eller du ikke længere har brug for det, beskyt da naturen ved ikke at smide det ud sammen med det almindelige affald. Black & Decker-værksteder modtager gammelt Black & Decker-værktøj og sørger for, at det bortskaffes på en miljørigtig måde.



Ved adskilt bortskaffelse af brugte produkter og emballage bliver der mulighed for at genanvende forskellige stoffer. Genanvendelse af stoffer medvirker til at forebygge miljøforurening og mindsker behovet for råstoffer.

Lokal lovgivning kan kræve separat indsamling af elprodukter fra husholdningen, ved kommunale affaldsdeponer eller af den detailhandlende ved køb af et nyt produkt.

Black & Decker sørger for at indsamle og genanvende Black & Decker-produkter, når disse ikke længere kan bruges. Hvis du vil benytte dig af denne service, skal du returnere produktet til et autoriseret værksted, der indsamler produkterne for os.

Kontakt det lokale Black & Decker-kontor på den adresse, som er opgivet i denne vejledning, for at få oplysninger om det nærmeste autoriserede værksted. En liste over alle autoriserede Black & Decker-serviceværksteder samt servicevilkår og kontaktpersoner er tilgængelig på internettet på adressen: [www.2helpU.com](http://www.2helpU.com).

#### Tekniske data

	KA171	KA171GT	KA171L
Spænding	VAC 230	230	230
Motoreffekt	W 200	200	200
Svingninger (uden belastning)	min-1 15.000	15.000	15.000
Omløb (uden belastning)	min-1 30.000	30.000	30.000
Vægt	kg 1,5	1,5	1,5

### EU overensstemmelseserklæring

KA171, KA171GT, KA171L

Black & Decker erklærer, at disse produkter er i overensstemmelse med følgende:

98/37/EF, 89/336/EØF, EN 60745, EN 55014, EN61000

LpA (lydtryk) 84,7 dB(A)),

LWA (lydintensitet) 95,7 dB(A),

hånd/arm-vægtet vibration <5,0 m/s<sup>2</sup>

Kpa (lydtryksusikkerhed 3 dB(A)),

Kwa (lydintensitetsusikkerhed 3 dB(A)),

ikke fungerer i overensstemmelse med specifikationen inden for 24 måneder fra købsdatoen, påtager Black & Decker sig at reparere eller ombytte produktet med mindst mulig ulempe for kunden. Garantien gælder ikke for fejl og mangler, der er sket i forbindelse med:

- ◆ normal slitage
- ◆ uheldige følger efter unormal anvendelse af værktøjet
- ◆ overbelastning, hærværk eller overdrevent intensiv brug af værktøjet eller ulykkehændelse
- ◆ reparationer der er udført af nogen anden end et autoriseret Black & Decker-værksted.

For at udnytte garantien skal produktet og købskvitteringen indleveres til forhandleren eller til et autoriseret værksted. Kontakt det lokale Black & Decker-kontor på den adresse, som er opgivet i denne vejledning, for at få oplysninger om det nærmeste autoriserede værksted. En liste over alle autoriserede Black & Decker-serviceværksteder samt servicevilkår er tilgængelig på internettet på adressen:

[www.2helpU.com](http://www.2helpU.com)

Gå venligst ind på vores website

[www.blackanddecker.dk](http://www.blackanddecker.dk) for at registrere dit nye produkt og for at blive holdt ajour om nye produkter og specialtilbud. Der findes yderligere oplysninger om mærket Black & Decker og vores produktsortiment på adressen [www.blackanddecker.dk](http://www.blackanddecker.dk).



Kevin Hewitt  
 Director of Consumer Engineering  
 Spennymoor, County Durham  
 DL16 6JG,  
 Storbritannien  
 31-03-2006

### Garanti

Black & Decker garanterer, at produktet er frit for materielle skader og/eller fabriktionsfejl ved levering til kunden.

Garantien er et tillæg til forbrugers lovsikrede rettigheder og påvirker ikke disse. Garantien gælder inden for medlemsstaterne af den Europæiske Union og i det Europæiske Frihandelsområde.

Hvis et Black & Decker-produkt går i stykker på grund af materiel skade og/eller fabriktionsfejl eller på anden måde

## Käyttötarkoitus

Black & Deckerin hiomakone on suunniteltu puun, metallin, muovien ja maalipintojen hiomiseen. Kone on tarkoitettu kotikäyttöön.

### Malli- ja patenttitiedot

Eurooppalainen patentti EP1419856B1

GB Malli No 3011677

## Yleiset turvallisuutta koskevat säännöt

Kaikki ohjeet täytyy lukea. Alla olevien ohjeiden noudattamisen laiminlyönti saattaa johtaa sähköiskuun, tulipaloon ja/tai vakavaan loukkaantumiseen. Seuraavassa käytetty käsite ”sähkötyökalu” tarkoittaa verkkokäyttöisiä sähkötyökaluja (verkkojohdon kera) ja akkukäyttöisiä sähkötyökaluja (ilman verkkojohtoa). SÄILYLTÄ NÄMÄ OHJEET HYVIN.

### 1. Työalue

- Pidä työalue puhtaana ja hyvin valaistuna.** Työpaikan epäjärjestys ja valaisemattomat työalueet voivat johtaa tapaturmiin.
- Älä työskentele sähkötyökalulla räjähdysalttiissa ympäristössä, jossa on palavaa nestettä, kaasua tai pölyä.** Sähkötyökalu muodostaa kipinöitä, jotka saattavat sytyttää pölyn tai höyryt.
- Pidä lapset ja sivulliset loitolla sähkötyökalua käyttäessäsi.** Voit menettää laitteesi hallinnan huomiosi suuntautuessa muualle.

### 2. Sähköturvallisuus

- Sähkötyökalun pistotulpan tulee sopia pistorasiaan. Pistotulppaa ei saa muuttaa millään tavalla. Älä käytä mitään pistorasia-adaptoreita maadoitettujen sähkötyökalujen kanssa.** Alkuperäisessä kunnossa olevat pistotulpat ja sopivat pistorasiat vähentävät sähköiskun vaaraa.
- Vältä koskettamasta maadoitettuja pintoja, kuten putkia, pattereita, liesiä tai jääkaappeja.** Sähköiskun vaara kasvaa, jos kehosi on maadoitettu.
- Älä altista sähkötyökalua sateelle tai kosteudelle.** Veden tunkeutuminen sähkötyökalun sisään kasvattaa sähköiskun riskiä.
- Älä käytä verkkojohtoa väärin. Älä käytä sitä sähkötyökalun kantamiseen, vetämiseen tai pistotulpan irrottamiseen pistorasiasta. Pidä johto loitolla kuumuudesta, öljyistä, terävistä reunoista ja liikkuvista osista.** Vahingoittuneet tai sokeutuneet johdot kasvattavat sähköiskun vaaraa.
- Käyttäessäsi sähkötyökalua ulkona käytä ainoastaan ulkokäyttöön soveltuvaa jatkojohtoa.** Ulkokäyttöön soveltuvan jatkojohdon käyttö pienentää sähköiskun vaaraa.

### 3. Henkilöturvallisuus

- Ole valpas, kiinnitä huomiota työskentelyysi ja noudata tervettä järkeä sähkötyökalua käyttäessäsi. Älä käytä sähkötyökalua, jos olet väsynyt tai huumeiden, alkoholin tai lääkkeiden vaikutuksen alainen.** Hetken tarkkaamattomuus sähkötyökalua käytettäessä saattaa johtaa vakavaan loukkaantumiseen.
  - Käytä suojarusteita. Käytä aina suojaraseja.** Suojarusteet, kuten pölynsuojanaamari, luistamattomat turvajalkineet, kypärä ja kuulosuojaimet, pienentävät oikein käytettyinä loukkaantumisriskiä.
  - Vältä sähkötyökalun tahatonta käynnistämistä. Varmista, että kytkin on off-asennossa ennen virran kytkemistä.** Onnettomuusvaara lisääntyy, jos kannat sähkötyökalua sormi käyttökytkimellä tai kytket työkalun virtajohton pistorasiaan, kun käyttökytkin on päällä.
  - Poista kaikki säätötyökalut ja ruuvitalat, ennen kuin käynnistät sähkötyökalun.** Työkalu tai avain, joka sijaitsee laitteen pyöriässä osassa, saattaa johtaa loukkaantumiseen.
  - Älä kurkota. Seiso aina tukevasti ja tasapainossa.** Täten voit paremmin hallita sähkötyökalua odottamattomissa tilanteissa.
  - Käytä tarkoitukseen sopivia vaatteita. Älä käytä löysiä työvaatteita tai koruja. Pidä hiukset, vaatteet ja käsineet loitolla liikkuvista osista.** Väljät vaatteet, korut ja pitkät hiukset voivat tarttua liikkuviin osiin.
  - Jos polynimu- tai -keräilylaitteita voidaan asentaa työkaluun, sinun pitää tarkistaa, että ne on liitetty oikein ja että niitä käytetään oikealla tavalla.** Näiden laitteiden käyttö vähentää pölyn aiheuttamia vaaroja.
- ### 4. Sähkötyökalujen käyttö ja hoito
- Älä ylikuormita laitetta. Käytä kyseiseen työhön tarkoitettua sähkötyökalua.** Sopivaa sähkötyökalua käyttäen työskentelet paremmin ja varmemmin tehoalueella, jolle sähkötyökalu on tarkoitettu.
  - Älä käytä sähkötyökalua, jota ei voida käynnistää ja pysäyttää virtakytkimestä.** Sähkötyökalu, jota ei enää voida käynnistää ja pysäyttää käynnistyskytkimellä, on vaarallinen, ja se täytyy korjata.
  - Irrota pistotulppa pistorasiasta, ennen kuin suoritat säätöjä, vaihdat tarvikkeita tai siirrä sähkötyökalun varastoitavaksi.** Nämä turvatoimenpiteet pienentävät sähkötyökalun tahattoman käynnistytksen riskiä.
  - Säilytä sähkötyökalut poissa lasten ulottuvilta, kun niitä ei käytetä. Älä anna sähkötyökalua kokemattomien henkilöiden tai tätä käyttöohjetta lukemattomien henkilöiden käyttöön.** Sähkötyökalut ovat vaarallisia, jos niitä käyttävät kokemattomat henkilöt.

- e. Hoida sähkötyökaluasi huolellisesti. Tarkista, että liikkuvat osat toimivat moitteettomasti eivätkä ole puristuksessa ja että työkalussa ei ole murtuneita tai vahingoittuneita osia, jotka saattaisivat vaikuttaa haitallisesti sen toimintaan. Korjauta mahdolliset viat ennen käyttöönottoa.** Moni tapaturma aiheutuu huonosti huolletuista laitteista.
- f. Pidä leikkausterät terävinä ja puhtaina.** Huolellisesti hoidetut leikkaustyökalut, joiden leikkausreunat ovat terävät, eivät tartu helposti kiinni, ja niitä on helpompi hallita.
- g. Käytä sähkötyökaluja, tarvikkeita, vaihtotyökaluja ja niin edelleen näiden ohjeiden mukaisesti ja tavalla, joka on tarkoitettu nimenomaan kyseisen sähkötyökalun käyttämiseen. Ota tällöin huomioon työolosuhteet ja suoritettava toimenpide.** Sähkötyökalun käyttö muuhun kuin sille tarkoitettuun käyttöön saattaa johtaa vaarallisiin tilanteisiin.

## 5. Huolto

- a. Anna koulutettujen ja ammattitaitoisten henkilöiden korjata sähkötyökalusi ja hyväksy korjauksiin vain alkuperäisiä varaosia.** Täten varmistat, että sähkötyökalu säilyy turvallisena.

## Lisäturvaohteet hiomakoneelle

- ◆ Käytä aina pölynsuojanaamaria hiontatyön aikana.
- ◆ Poista pöly huolellisesti hiomisen jälkeen.
- ◆ Ole erityisen varovainen hioessasi maalipintoja, jotka voivat sisältää lyijyä, tai puu- tai metallipintoja, joista voi irrota myrkyllistä hiomapölyä.
  - Käytä kasvosuojusta, joka on erityisesti tarkoitettu suojaamaan lyijypitoisen maalin tuottamalta pölyltä ja kaasulta, ja varmista, että kaikki työalueella olevat ja sinne tulevat henkilöt käyttävät suojavarusteita.
  - Älä anna lasten tai raskaana olevien naisten olla työalueella.
  - Älä syö, juo tai tupakoi työalueella.
  - Hävitä pöly ja muu jäte ympäristöstävällisesti.
- ◆ Varmista ennen puisien kohteiden hiontaa, että pölykasetti on kiinnitettynä.
- ◆ Varmista ennen metallikohteiden hiontaa, että pölykasetti on poistettu.
- ◆ Älä käytä konetta ilman hiomapaperia.
- ◆ Älä käytä konetta ilman hioma-alustaa.
- ◆ Tätä konetta ei ole tarkoitettu nuorten tai lihasvoimaltaan vähäisten henkilöiden valvomattomaan käyttöön. Lapsia on valvottava ja estettävä leikkimästä koneella.
- ◆ Jos virtajohto vahingoittuu, sen vaihtaminen tulee turvallisuussyistä jättää valmistajan tai valtuutetun Black & Decker -huollon tehtäväksi.

## Sähköturvallisuus



Tämä laite on kaksoiseristetty, joten erillistä maadoitusta ei tarvita. Tarkista aina, että virtalähde vastaa arvokilvessä ilmoitettua jännitettä.

## Yleiskuvasu

1. Virrankatkaisija
2. Geelipehmustettu kädensija (vain KA171GT-mallissa)
3. Kansi
4. Pölykasetti (KA171, KA171GT, KA171L)
5. Pölynpoistoaukko
6. Hioma-alusta
7. Paperinkiinnitinvipu
8. Paperinlävistin
9. Säleikköosa (KA171L)
10. Suodatint
11. Pölypussi

## Kokoaminen

**Varoitus!** Varmista ennen kokoamista, että koneen virta on kytketty pois päältä ja ettei konetta ole liitetty virtalähteeseen.

## Hiomapaperien kiinnittäminen (kuvat A ja B)

**Varoitus!** Älä käytä konetta ilman hiomapaperia tai lisäosaa.

## Hiomapaperien kiinnittäminen nailonsilmukoiden avulla (kuva A)

**Varoitus!** Varmista, että koneen virta on kytketty pois päältä ja ettei konetta ole liitetty virtalähteeseen.

- ◆ Aseta hiomapaperi tiiviisti ja tasaisesti hioma-alustalle (6). Varmista, että paperissa olevat reiät ovat kohdakkain alustan reikien kanssa.

## Tavallisten hiomapaperien kiinnittäminen (kuva B)

**Varoitus!** Varmista, että koneen virta on kytketty pois päältä ja ettei konetta ole liitetty virtalähteeseen.

- ◆ Pehmitä hiomapaperia hankaamalla sen taustapuolta työtason reunaan vasten.
- ◆ Vapauta paperinkiinnitinvipu (7) uristaan työntämällä niitä ylöspäin ja avaa paperinkiinnittimet (7) painamalla ne alas.
- ◆ Aseta paperi hioma-alustalle (6).
- ◆ Sijoita hiomapaperin reuna etummaiseen paperinkiinnittimeen (7) kuvan mukaisesti.
- ◆ Paina etummaista paperinkiinnitinvipua (7) alas ja aseta se uraansa.
- ◆ Kiristä paperi vetämällä sitä hiukan ja sijoita paperin takareuna taaempaan paperinkiinnittimeen (7).
- ◆ Paina taaempaa paperinkiinnitinvipua (7) alas ja aseta se uraansa.

### Hiomapaperien lävistäminen (kuva C)

Paperinlävistimellä (8) tehdään hiomapapereihin reiät pölyn poistamista varten, jos paperissa ei ole valmiita reikiä.

#### Kiinnität hiomapaperi.

- ◆ Pidä työkalua paperinlävistimen (8) päällä kohtisuorassa.
- ◆ Paina työkalu alas niin, että hioma-alusta (6) osuu paperinlävistimeen.
- ◆ Poista työkalu paperinlävistimestä ja tarkista, että hiomapaperiin tulleet reiät ovat kunnolliset.

### Pölykasetin kiinnittäminen ja poistaminen (kuva F) vain KA171, KA171GT, KA171L

- ◆ Kiinnität pölykasetti (4) pölynpoistoaukon (5) päälle.
- ◆ Voit poistaa pölykasetin (4) vetämällä sitä taaksepäin ja pois aukosta.

### Pölypussin kiinnittäminen ja poistaminen (kuva G)

- ◆ Kiinnität pölypussi (11) pölynpoistoaukon (5) päälle.
- ◆ Voit poistaa pölypussin vetämällä sitä taaksepäin ja pois aukosta.

### Säleikköosa (kuva D) vain KA171L

Tämän lisäosan avulla voit työskennellä raoissa ja käyttää hioma-alustaa molempiin puoliin.

- ◆ Aseta säleikköosan etupää (9) hioma-alustalle (6).
- ◆ Kiinnität osa neljällä toimitukseen sisällytyllä ruuvilla.
- ◆ Kiinnität 1/2 paperi säleikköalustan (9) alosaan. Osa siitä tahtuu alustan etuosan päälle.
- ◆ Poista säleikköosa toimimalla käänteisessä järjestyksessä.

### Käyttö

**Varoitus!** Anna koneen käydä omaan tahtiinsa.

**Varoitus!** Älä ylikuormita sitä.

### Käynnistys ja pysäytys (kuva E)

- ◆ Käynnistä kone painamalla virrankatkaisijan (1) I-merkillä merkittyä osaa.
- ◆ Sammuta kone painamalla virrankatkaisijan (1) O-merkillä merkittyä osaa.

### Pölykasetin tyhjentäminen (kuva F)

- ◆ Pölykasetti (4) on tyhjennettävä 10 minuutin välein.
- ◆ Vedä pölykasettia (4) taaksepäin ja pois koneesta.
- ◆ Irrota kansi (3) kääntämällä sitä vastapäivään.
- ◆ Pitele pölykasettia (4) suodatin (10) alapäin ja tyhjennä se ravistamalla.
- ◆ Tyhjennä kansi (3) ravistelemalla sitä.
- ◆ Aseta kansi (3) takaisin pölykasettiin (4) ja käännä sitä myötäpäivään, kunnes se lukittuu paikalleen.
- ◆ Aseta pölykasetti (4) takaisin koneeseen.

### Pölykasetin suodattimen puhdistus

**Varoitus!** Älä puhdistaa suodatinta harjalla, terävillä esineillä tai paineilmalla. Älä pese suodatinta.

- ◆ Pölykasetin suodatin (10) on uudelleen käytettävä, ja se on puhdistettava säännöllisesti.
- ◆ Tyhjennä pölykasetin suodatin (10) edellä kuvatulla tavalla.
- ◆ Vedä suodatin (10) irti pölykasetista (4). ÄLÄ KIERRÄ SUODATINTA.
- ◆ Koputtele suodattimeen (10) jäänyt pöly roskasäiliöön.
- ◆ Aseta suodatin (10) takaisin paikoilleen.
- ◆ Kiinnität kansi (3).
- ◆ Aseta pölykasetti (4) koneeseen.

### Pölypussin tyhjentäminen

- ◆ Pölypussi (11) on tyhjennettävä 10 minuutin välein.
- ◆ Tyhjennä pölypussi ravistelemalla sitä.

### Vinkejä parhaimman tuloksen saamiseksi (kuva E)

- ◆ Älä pidä käsiä ilma-aukkojen päällä.
- ◆ Älä paina konetta liikaa.
- ◆ Tarkista hiomapaperin kunto säännöllisesti. Vaihda hiomapaperi tarvittaessa.
- ◆ Hio aina puun syiden mukaisesti.
- ◆ Hiottaessa maalikerrosten välillä käytä erittäin hienoa hiomapaperia.
- ◆ Aloita karkealla hiomapaperilla hioessasi epätasaisia pintoja tai poistaessasi maalia. Kun hiot muunlaisia pintoja, aloita keskikarkealla hiomapaperilla. Molemmissa tapauksissa vaihda asteittain hienompaan hiomapaperiin tasaisen pinnan saamiseksi.
- ◆ Saat lisätietoja saatavilla olevista tarvikkeista jälleenmyyjältäsi.

### Huolto

- ◆ Black & Decker -työkalu on suunniteltu toimimaan mahdollisimman pitkän aikaa mahdollisimman vähällä huollolla. Oikean huollon ja säännöllisen puhdistuksen avulla koneen suorituskyky pysyy hyvänä.
- ◆ Katkaise koneesta virta ja irrota virtajohto pistorasiasta aina ennen huoltotoimenpiteitä.
- ◆ Puhdista työkalun ilma-aukot säännöllisesti pehmeällä harjalla tai kuivalla rievulla.
- ◆ Puhdista työkalun kuori säännöllisesti kostealla siivousliinalla. Älä koskaan käytä puhdistamiseen liuotainaineita tai syövyttäviä puhdistusaineita.

### Ympäristö



Kun työkalusi aikanaan täytyy vaihtaa tai ei kelpaa enää käyttöön, ota huomioon ympäristötekijät. Black & Deckerin valtuutetut huoltoilikkeet ottavat vastaan Black & Decker -työkaluja ja varmistavat, että ne hävitetään ympäristöstävällisesti.



Käytettyjen tuotteiden ja pakkausmateriaalien erilliskeruun avulla materiaalit voidaan kierrättää ja käyttää uudelleen. Kierrätysmateriaalien käyttö auttaa vähentämään ympäristön saastumista ja uusien raaka-aineiden tarvetta.

Paikallisissa säädöksissä voidaan määrätä, että kodin sähkötutteen keruu tapahtuu kaupunkien jätteidenkäsittelyasemilla tai laitteita myyvissä liikkeissä uuden tuotteen oston yhteydessä.

Kun koneesi on käytetty loppuun, älä heitä sitä tavallisten roskien mukana pois, vaan vie se paikkakuntasi kierrätyskeskukseen tai jätä valtuutettuun Black & Deckerin huoltoliikkeeseen.

Tiedot valtuutetuista huoltoliikkeistä saa ottamalla yhteyttä Black & Decker Oy:hyn sekä Internetistä osoitteesta

[www.2helpU.com](http://www.2helpU.com).

#### Tekniset tiedot

	KA171	KA171GT	KA171L
Jännite	Vac 230	230	230
Ottoteho	W 200	200	200
Värähtelyt (ilman kuormaa)	min-1 15 000	15 000	15 000
Kierrokset (ilman kuormaa)	min-1 30 000	30 000	30 000
Paino	kg 1,5	1,5	1,5

## EU:n yhdenmukaisuusilmoitus

KA171, KA171GT, KA171L

Black & Decker vakuuttaa näiden tuotteiden olevan seuraavien standardien vaatimusten mukaiset:  
98/37/EY, 89/336/ETY, EN 60745, EN 55014, EN61000

LpA (äänenpaine) 84,7 dB(A),

LWA (akustinen teho) 95,7 dB(A),

käden/käsivarren painotettu värinä < 5,0 m/s<sup>2</sup>

Kpa (äänenpaineen epävarmuus) 3 dB(A),

Kwa (akustisen tehon epävarmuus) 3 dB(A),

Mikäli Black & Decker -kone hajoaa materiaali- ja/tai valmistusvirheen tai teknisten tietojen epätarkkuuden vuoksi 24 kk:n kuluessa ostopäivästä, Black & Decker korjaa koneen ilman kustannuksia ostajalle tai vaihtaa sen Black & Decker Oy:n valinnan mukaan. Takuu ei kata vikoja, jotka johtuvat koneen

- ◆ normaalista kulumisesta
- ◆ ylikuormituksesta, virheellisestä käytöstä tai hoidosta
- ◆ vahingoittamisesta vieraalla esineellä tai aineella tai onnettomuustapauksessa.
- ◆ Takuu ei ole voimassa, mikäli konetta on korjannut joku muu kuin Black & Deckerin valtuuttama huoltoliike.

Edellytyksenä takuun saamiselle on, että ostaja jättää koneen ja ostokuitin jälleenmyyjälle tai valtuutetulle huoltoliikkeelle viimeistään 2 kuukauden kuluessa vian ilmenemisestä. Tiedot valtuutetuista huoltoliikkeistä saa ottamalla yhteyttä Black & Decker Oy:hyn sekä Internetistä osoitteesta [www.2helpU.com](http://www.2helpU.com), jossa on myös takuehdot.

Voit käydä verkkosivuillamme [www.blackanddecker.fi](http://www.blackanddecker.fi) rekisteröidäksesi uuden Black & Decker -tuotteesi ja saadaaksesi tietoa uusista tuotteista ja erikoistarjouksista. Saat lisätietoja Black & Deckerin tavaramerkistä ja tuotevalikoimastamme osoitteesta [www.blackanddecker.fi](http://www.blackanddecker.fi).

Kevin Hewitt  
Director of Consumer Engineering  
Spennymoor, County Durham  
DL16 6JG,  
Iso-Britannia  
31-03-2006

## Takuu

Black & Decker Oy takaa, ettei koneessa ollut materiaali- ja/ tai valmistusvikaa silloin, kun se toimitettiin ostajalle. Takuu on lisäys kuluttajan laillisiin oikeuksiin eikä vaikuta niihin. Takuu on voimassa Euroopan unionin jäsenmaissa ja Euroopan vapaakauppa-alueella (EFTA).

## Ενδεξιμένη χρήση

Το τριβείο σας της Black & Decker έχει σχεδιαστεί για τη λείανση ξύλου, μετάλλου, πλαστικών και βαμμένων επιφανειών. Αυτό το εργαλείο προορίζεται μόνο για ερασιτεχνική χρήση.

**Πληροφορίες σχετικά με τη Σχεδίαση και το Δίπλωμα Ευρεσιτεχνίας**

Ευρωπαϊκό Δίπλωμα Ευρεσιτεχνίας EP1419856B1

Σχέδιο MB Αριθ. 3011677

## Γενικοί κανόνες ασφαλείας

Διαβάστε όλες τις υποδείξεις. Η μη τήρηση όλων των παρακάτω υποδείξεων μπορεί να προκαλέσει ηλεκτροπληξία, πυρκαγιά ή/και σοβαρούς τραυματισμούς. Ο χαρακτηρισμός "ηλεκτρικό εργαλείο" που χρησιμοποιείται σε όλες τις παρακάτω προειδοποιητικές υποδείξεις αφορά ή το εργαλείο που συνδέεται στην πρίζα (με καλώδιο) ή το εργαλείο που λειτουργεί με μπαταρία (χωρίς καλώδιο). ΦΥΛΑΞΤΕ ΑΥΤΕΣ ΤΙΣ ΟΔΗΓΙΕΣ.

### 1. Χώρος εργασίας

**α. Διατηρείτε το χώρο που εργάζεστε καθαρό και καλά φωτισμένο.** Η σταξία στο χώρο που εργάζεστε και τα σημεία χωρίς καλό φωτισμό μπορεί να οδηγήσουν σε ατυχήματα.

**β. Μη χρησιμοποιείτε ηλεκτρικά εργαλεία σε περιβάλλον όπου υπάρχει κίνδυνος έκρηξης, π.χ. παρουσία εύφλεκτων υγρών, αερίων ή σκόνης.** Τα ηλεκτρικά εργαλεία μπορεί να δημιουργήσουν σπινθηρισμό ο οποίος μπορεί να αναφλέξει τη σκόνη ή τις αναθυμιάσεις.

**γ. Όταν χρησιμοποιείτε το ηλεκτρικό εργαλείο, κρατάτε τα παιδιά και τα υπόλοιπα άτομα μακριά από το χώρο που εργάζεστε.** Σε περίπτωση που άλλα άτομα αποσπάσουν την προσοχή σας μπορεί να χάσετε τον έλεγχο του μηχανήματος.

### 2. Ασφάλεια χρήσης του ηλεκτρικού ρεύματος

**α. Το φως του καλωδίου του ηλεκτρικού εργαλείου πρέπει να ταιριάζει στην αντίστοιχη πρίζα. Δεν επιτρέπεται με κανένα τρόπο η μετασκευή του φως. Μη χρησιμοποιείτε προσαρμοστικά φως στα γεωμενά ηλεκτρικά εργαλεία.** Τα φως που δεν έχουν υποστεί τροποποιήσεις και οι κατάλληλες πρίζες μειώνουν τον κίνδυνο ηλεκτροπληξίας.

**β. Αποφύγετε την επαφή του σώματός σας με γεωμενές επιφάνειες όπως σωλήνες, θερμαντικά σώματα (καλοριφέρ), κουζίνες και ψυγεία.** Όταν το σώμα σας είναι υγμένο, αυξάνεται ο κίνδυνος ηλεκτροπληξίας.

**γ. Μη εκθέτετε το ηλεκτρικό εργαλείο στη βροχή ή την υγρασία.** Η διείσδυση νερού στο ηλεκτρικό εργαλείο αυξάνει τον κίνδυνο ηλεκτροπληξίας.

**δ. Μη κακομεταχειρίζεστε το καλώδιο. Μη χρησιμοποιήσετε ποτέ το καλώδιο για να μεταφέρετε, να τραβήξετε ή να αποσυνδέσετε το εργαλείο από την πρίζα. Κρατάτε το καλώδιο μακριά από υψηλές θερμοκρασίες, λάδια, κοφτερές ακμές ή κινούμενα εξαρτήματα.** Τυχόν χαλασμένα ή μπερδεμένα καλώδια αυξάνουν τον κίνδυνο ηλεκτροπληξίας.

**ε. Όταν χρησιμοποιείτε το ηλεκτρικό εργαλείο σε εξωτερικούς χώρους, να χρησιμοποιείτε πάντοτε καλώδια προέκτασης (μπαταντζές) που έχουν εγκριθεί για χρήση σε εξωτερικούς χώρους.** Η χρήση καλωδίων προέκτασης εγκεκριμένων για εργασία σε εξωτερικούς χώρους μειώνει τον κίνδυνο ηλεκτροπληξίας.

### 3. Ασφάλεια προσώπων

**α. Όταν χρησιμοποιείτε το ηλεκτρικό εργαλείο, να είστε προσεκτικοί, να δίνετε προσοχή στην εργασία που κάνετε και να επιστρατεύετε την κοινή λογική. Μη χρησιμοποιείτε το ηλεκτρικό εργαλείο όταν είστε κουρασμένοι ή όταν βρίσκεστε υπό την επήρεια ναρκωτικών, οιονοπέυματος ή φαρμάκων.**

Μια στιγμιαία απροσεξία κατά το χειρισμό του ηλεκτρικού εργαλείου μπορεί να οδηγήσει σε σοβαρούς τραυματισμούς.

- β. Να χρησιμοποιείτε εξοπλισμό ασφαλείας. Να φοράτε πάντα προστατευτικό γυαλιά.** Ο κίνδυνος τραυματισμών μειώνεται όταν χρησιμοποιείτε εξοπλισμό ασφαλείας, όπως μάσκα προστασίας από σκόνη, αντιολιθητική παπούτσια ασφαλείας, κράνη ή ιτασιπίδες, ανάλογα με τις συνθήκες εργασίας.
- γ. Αποφύγετε την αθέλητη θέση σε λειτουργία του ηλεκτρικού εργαλείου. Βεβαιωθείτε ότι ο διακόπτης λειτουργίας βρίσκεται στη θέση "OFF" πριν συνδέσετε το ηλεκτρικό εργαλείο στην πρίζα.** Αν μεταφέρετε το ηλεκτρικό εργαλείο έχοντας το δάκτυλό σας πάνω στο διακόπτη λειτουργίας ή αν συνδέσετε το ηλεκτρικό εργαλείο στην πρίζα όταν ο διακόπτης λειτουργίας βρίσκεται στη θέση "ON", αυτό μπορεί να οδηγήσει σε σοβαρούς τραυματισμούς.
- δ. Πριν θέσετε το ηλεκτρικό εργαλείο σε λειτουργία, αφαιρέστε τυχόν εργαλεία ή κλειδιά ρύθμισης.** Ένα εργαλείο ή κλειδί συναρμολογημένο στο περιστρεφόμενο εξάρτημα ενός ηλεκτρικού εργαλείου μπορεί να προκαλέσει τραυματισμούς.
- ε. Μη τεντώνεστε. Φροντίστε να έχετε πάντοτε την κατάλληλη στάση και να διατηρείτε την ισορροπία σας.** Αυτό σας επιτρέπει τον καλύτερο έλεγχο του ηλεκτρικού εργαλείου σε περιπτώσεις απροδόκητων καταστάσεων.
- στ. Φοράτε κατάλληλη ενδυμασία εργασίας. Μη φοράτε φαρδιά ρούχα ή κοσμήματα. Κρατάτε τα μαλλιά, τα ενδύματα και τα γάντια σας μακριά από τα κινούμενα εξαρτήματα.** Τα φαρδιά ρούχα, τα κοσμήματα και τα μακριά μαλλιά μπορεί να εμπλακούν στα κινούμενα εξαρτήματα.
- ζ. Αν προβλέπονται διατάξεις απαγωγής και συλλογής της σκόνης, βεβαιωθείτε ότι είναι συνδεδεμένες και ότι χρησιμοποιούνται σωστά.** Η χρήση τέτοιων διατάξεων μειώνει τους κινδύνους που προέρχονται από τη σκόνη.
- 4. Χρήση και συντήρηση του ηλεκτρικού εργαλείου**
- α. Μη υπερφορτώνετε το ηλεκτρικό εργαλείο. Χρησιμοποιείτε για την εκάστοτε εργασία σας το ηλεκτρικό εργαλείο που προορίζεται γι' αυτήν.** Με το κατάλληλο ηλεκτρικό εργαλείο εργάζεστε καλύτερα και ασφαλέστερα στην ονομαστική περιοχή ισχύος του.
- β. Μη χρησιμοποιήσετε ποτέ ένα ηλεκτρικό εργαλείο του οποίου ο διακόπτης λειτουργίας είναι χαλασμένος.** Ένα ηλεκτρικό εργαλείο του οποίου η λειτουργία δεν μπορεί να ελεγχθεί με το διακόπτη είναι επικίνδυνο και πρέπει να επισκευαστεί.
- γ. Βγάλτε το φως από την πρίζα πριν διεξάγετε κάποια εργασία ρύθμισης στο ηλεκτρικό εργαλείο, πριν αλλάξετε κάποιο εξάρτημα ή όταν πρόκειται να το αποθηκεύσετε.** Αυτά τα προληπτικά μέτρα ασφαλείας μειώνουν τον κίνδυνο να τεθεί το εργαλείο αθέλητα σε λειτουργία.
- δ. Να φυλάτε τα ηλεκτρικά εργαλεία που δεν χρησιμοποιείτε μακριά από παιδιά. Μη αφήνετε άτομα που δεν είναι εξοικειωμένα με το ηλεκτρικό εργαλείο ή που δεν έχουν διαβάσει αυτές τις οδηγίες χρήσης να το χρησιμοποιήσουν.** Τα ηλεκτρικά εργαλεία είναι επικίνδυνα όταν χρησιμοποιούνται από άπειρα άτομα.
- ε. Να συντηρείτε τα ηλεκτρικά εργαλεία. Ελέγξτε εάν τα κινούμενα μέρη είναι σωστά ευθυγραμμισμένα ή αν έχουν μπλοκάρει, εάν έχουν σπάσει κομμάτια και αν πληρούνται όλες οι υπόλοιπες συνθήκες που ενδεχομένως να επηρεάσουν τη σωστή λειτουργία του εργαλείου.** Δώστε τυχόν χαλασμένα εξαρτήματα του ηλεκτρικού εργαλείου για επισκευή πριν το χρησιμοποιήσετε πάλι. Η ανεπαρκής



συντήρηση των ηλεκτρικών εργαλείων αποτελεί αιτία πολλών ατυχημάτων.

**στ. Διατηρείτε τα κοπτικά εργαλεία κοφτερά και καθαρά.**

Τα κοπτικά εργαλεία με αιχμηρά κοπτικά άκρα που συντηρούνται σωστά έχουν λιγότερες πιθανότητες να μπλοκάρουν και ελέγχονται ευκολότερα.

**ζ. Να χρησιμοποιείτε τα ηλεκτρικά εργαλεία, τα εξαρτήματα και τα άκρα των εργαλείων κ.λπ. σύμφωνα με τις παρούσες οδηγίες καθώς και όπως προβλέπεται για τον κάθε τύπο εργαλείου, λαμβάνοντας υπόψη σας τις συνθήκες εργασίας και την εργασία που θέλετε να εκτελέσετε.** Η χρήση του ηλεκτρικού εργαλείου για άλλες εκτός από τις προβλεπόμενες εργασίες μπορεί να δημιουργήσει επικίνδυνες καταστάσεις.

**5. Σέρβις**

**a. Το σέρβις του ηλεκτρικού σας εργαλείου πρέπει να αναλαμβάνει έμπειρος τεχνικός που θα χρησιμοποιεί μόνο γνήσια ανταλλακτικά.** Έτσι εξασφαλίζεται η διατήρηση της ασφάλειας του ηλεκτρικού εργαλείου.

**Συμπληρωματικές οδηγίες ασφαλείας για τριβεία**

- ◆ Όταν εκτελείτε εργασίες λείανσης, να φοράτε πάντοτε μάσκα προστασίας από σκόνη.
- ◆ Μετά τη λείανση, καθαρίστε καλά τη σκόνη.
- ◆ Να προσέχετε ιδιαίτερα κατά τη λείανση χρωμάτων, τα οποία ενδέχεται να έχουν ως βάση το μόλυβδο ή κατά τη λείανση ορισμένων ειδών ξύλου και μέταλλου, τα οποία ενδέχεται να παράγουν τοξική σκόνη:
  - Φορέστε μάσκα σκόνης ειδικά σχεδιασμένη για προστασία έναντι της σκόνης και των αναθυμιάσεων από χρώματα με μόλυβδο και βεβαιωθείτε ότι τα άτομα που βρίσκονται ή εισέρχονται στο χώρο εργασίας είναι επίσης προστατευμένα.
  - Μην επιτρέψετε σε παιδιά ή εγκύους να εισέρχονται στο χώρο εργασίας.
  - Μην τρώτε, πίνετε ή καπνίζετε στο χώρο εργασίας.
  - Συγκεντρώστε όλη τη σκόνη και τα άλλα υπολείμματα και απορρίψτε τα με τον κατάλληλο τρόπο.
- ◆ Πριν χρησιμοποιήσετε το εργαλείο σε ξύλινα αντικείμενα, βεβαιωθείτε ότι έχετε τοποθετήσει την κασέτα συλλογής σκόνης.
- ◆ Πριν χρησιμοποιήσετε το εργαλείο σε μεταλλικά αντικείμενα, βεβαιωθείτε ότι έχετε αφαιρέσει την κασέτα συλλογής σκόνης.
- ◆ Μην χρησιμοποιήσετε ποτέ το εργαλείο χωρίς φύλλο λείανσης.
- ◆ Μην χρησιμοποιήσετε ποτέ το εργαλείο χωρίς βάση λείανσης.
- ◆ Αυτή η συσκευή δεν προορίζεται για χρήση από νεαρά ή αδύναμα άτομα χωρίς επίβλεψη. Τα παιδιά πρέπει να επιτηρούνται και να μη παίζουν με τη συσκευή.
- ◆ Αν το καλώδιο ρεύματος έχει υποστεί φθορά, η αντικατάστασή του πρέπει να γίνει από τον κατασκευαστή ή από ένα εξουσιοδοτημένο κέντρο της Black & Decker, ώστε να μην αποτελέσει κίνδυνο.

**Ασφαλής χρήση του ηλεκτρικού ρεύματος**



Αυτό το εργαλείο φέρει διπλή μόνωση, επομένως δεν απαιτείται σύρμα γείωσης. Ελέγχετε πάντοτε αν η τάση τροφοδοσίας αντιστοιχεί σε αυτήν που αναγράφεται στην πινακίδα στοιχείων του εργαλείου.

**Χαρακτηριστικά**

1. Διακόπτης on/off
2. Άνετη κολλώδης λαβή (KA171GT μόνο)
3. Κάλυμμα
4. Κασέτα συλλογής σκόνης (KA171, KA171GT, KA171L)
5. Στόμιο απαγωγής σκόνης
6. Βάση λείανσης
7. Μοχλός σφικτήρα χαρτιού
8. Διατρητήρας χαρτιού
9. Εξάρτημα για γρίλιες (KA171L)
10. Φίλτρο
11. Κασέτα συλλογής σκόνης

**Συναρμολόγηση**

**Προειδοποίηση!** Πριν από τη συναρμολόγηση, βεβαιωθείτε ότι το εργαλείο είναι σβηστό και ότι το φως δεν είναι στην πρίζα.

**Τοποθέτηση φύλλων γυαλόχαρτου (εικ. Α & Β)**

**Προειδοποίηση!** Μην χρησιμοποιήσετε ποτέ το εργαλείο χωρίς να έχει τοποθετηθεί φύλλο λείανσης ή αζεσοούρα.

**Τοποθέτηση φύλλων γυαλόχαρτου με νάιλον βρόχους (εικ. Α)**

**Προειδοποίηση!** Βεβαιωθείτε ότι το εργαλείο είναι σβηστό και ότι το φως δεν είναι στην πρίζα

- ◆ Πιέστε το φύλλο σταθερά και ομοιόμορφα πάνω στη βάση λείανσης (6), φροντίζοντας ώστε οι οπές του φύλλου να ευθυγραμμιστούν με τις αντίστοιχες της βάσης.

**Τοποθέτηση κανονικών φύλλων γυαλόχαρτου (εικ. Β)**

**Προειδοποίηση!** Βεβαιωθείτε ότι το εργαλείο είναι σβηστό και ότι το φως δεν είναι στην πρίζα.

- ◆ Μαλακώστε το φύλλο γυαλόχαρτου τρίβοντας τη μη λειαντική πλευρά του πάνω στην ακμή μιας επιφάνειας εργασίας.
- ◆ Πιέστε τους μοχλούς των σφικτήρων χαρτιού (7) προς τα πάνω για να τους απελευθερώσετε από τις εσοχές συγκράτησης και ανοίξτε τους σφικτήρες χαρτιού (7) πιέζοντάς τους προς τα κάτω.
- ◆ Τοποθετήστε το φύλλο πάνω στη βάση λείανσης (6).
- ◆ Εισάγετε την άκρη του φύλλου λείανσης στο μπροστινό σφικτήρα χαρτιού (7) όπως υποδεικνύεται.
- ◆ Πιέστε το μοχλό του μπροστινού σφικτήρα χαρτιού (7) προς τα κάτω και τοποθετήστε τον μέσα στην εσοχή συγκράτησης.
- ◆ Ενώ κρατάτε μια ελαφριά πίεση πάνω στο φύλλο, εισάγετε το πίσω μέρος του χαρτιού μέσα στον πίσω σφικτήρα χαρτιού (7).
- ◆ Πιέστε το μοχλό του πίσω σφικτήρα χαρτιού (7) προς τα κάτω και τοποθετήστε τον μέσα στην εσοχή συγκράτησης.

**Διάρθρωση των φύλλων γυαλόχαρτου (εικ. C)**

Ο διατρητήρας χαρτιού (8) χρησιμοποιείται για τη διάρθρωση οπών απαγωγής σκόνης σε φύλλα γυαλόχαρτου που δεν φέρουν οπές.

**Τοποθετήστε ένα φύλλο γυαλόχαρτου.**

- ◆ Κρατήστε το εργαλείο ακριβώς πάνω από το διατρητήρα χαρτιού (8).
- ◆ Πιέστε το εργαλείο με τη βάση λείανσης (6) προς τα κάτω μέσα στο διατρητήρα χαρτιού.
- ◆ Βγάλετε το εργαλείο από το διατρητήρα χαρτιού και ελέγξτε αν οι οπές στο φύλλο γυαλόχαρτου έχουν ανοιχτεί πλήρως.

### Τοποθέτηση και αφαίρεση της κασέτας συλλογής σκόνης (εικ. F) KA171, KA171GT, KA171L μόνο

- ◆ Τοποθετήστε την κασέτα συλλογής σκόνης (4) πάνω από το στόμιο απαγωγής σκόνης (5).
- ◆ Για να αφαιρέσετε την κασέτα συλλογής σκόνης (4), σπρώξτε την κασέτα προς τα πίσω και έξω από το στόμιο.

### Τοποθέτηση και αφαίρεση της κασέτας συλλογής σκόνης (εικ. G)

- ◆ Τοποθετήστε την κασέτα συλλογής σκόνης (11) πάνω από το στόμιο απαγωγής σκόνης (5).
- ◆ Για να αφαιρέσετε την κασέτα συλλογής σκόνης, σπρώξτε την κασέτα προς τα πίσω και έξω από το στόμιο.

### Εξάρτημα για γρίλιες (εικ. D) KA171L μόνο

Με αυτό το εξάρτημα μπορείτε όταν εργάζεστε σε στενό χώρο μεταξύ δύο αντικειμένων, να χρησιμοποιείτε τη βάση λείανσης ταυτόχρονα και για τις δύο πλευρές.

- ◆ Τοποθετήστε το εμπρός μέρος του εξαρτήματος για γρίλιες (9) πάνω στη βάση λείανσης (6).
- ◆ Ασφαλίστε το στη θέση του με τις τέσσερις παρεχόμενες βίδες.
- ◆ Τοποθετήστε 1/2 φύλλο στην κάτω πλευρά της βάσης του εξαρτήματος για γρίλιες (9). Ένα μέρος του θα περιτυλίξει το εμπρός μέρος της βάσης.
- ◆ Για να αφαιρέσετε το εξάρτημα για γρίλιες, αντιστρέψτε τη διαδικασία.

### Χρήση

**Προειδοποίηση!** Αφήστε το εργαλείο να λειτουργήσει με το δικό του ρυθμό.

**Προειδοποίηση!** Μην το υπερφορτώνετε.

### Ενεργοποίηση και απενεργοποίηση (εικ. E)

- ◆ Για να θέσετε σε λειτουργία το εργαλείο, πατήστε το διακόπτη on/off (1) από τη μεριά με την ένδειξη 'I'.
- ◆ Για να θέσετε το εργαλείο εκτός λειτουργίας, πατήστε το διακόπτη on/off (1) από τη μεριά με την ένδειξη 'O'.

### Άδειαση της κασέτας συλλογής σκόνης (εικ. F)

- ◆ Πρέπει να αδειάζετε την κασέτα (4) συλλογής σκόνης κάθε 10 λεπτά χρήσης.
- ◆ Τραβήξτε την κασέτα συλλογής σκόνης (4) προς τα πίσω και αφαιρέστε την από το εργαλείο.
- ◆ Αφαιρέστε το κάλυμμα (3) στρίβοντάς το αριστερόστροφα.
- ◆ Κρατήστε την κασέτα συλλογής σκόνης με το φίλτρο (10) στραμμένο προς τα κάτω και ανακινήστε την (4) για να αδειάσει.
- ◆ Ανακινήστε το κάλυμμα (3) για να αδειάσετε τα περιεχόμενα.
- ◆ Τοποθετήστε πάλι το κάλυμμα (3) πάνω στην κασέτα συλλογής σκόνης (4), στρίβοντας το δεξιόστροφα μέχρι να ασφαλίσει.
- ◆ Τοποθετήστε πάλι την κασέτα συλλογής σκόνης (4) πάνω στο εργαλείο.

### Καθαρισμός του φίλτρου της κασέτας συλλογής σκόνης

**Προειδοποίηση!** Μην βουρτσίζετε ούτε να χρησιμοποιείτε συμπιεσμένο αέρα ή αιχμηρά αντικείμενα για να καθαρίσετε το φίλτρο. Μην πλένετε το φίλτρο.

- ◆ Το φίλτρο της κασέτας συλλογής σκόνης (10) είναι επαναχρησιμοποιήσιμο & και θα πρέπει να καθαρίζεται τακτικά.
- ◆ Αδειάζετε το φίλτρο της κασέτας συλλογής σκόνης (10) όπως περιγράφεται παραπάνω.
- ◆ Τραβήξτε το φίλτρο (10) έξω από την κασέτα συλλογής σκόνης (4). ΜΗ ΣΤΡΙΒΕΤΕ ΤΟ ΦΙΛΤΡΟ.

- ◆ Αποτινάξτε την πρόσθετη σκόνη κτυπώντας το φίλτρο (10) μέσα σε ένα κάδο ακουπιδίων.
- ◆ Αντικαταστήστε το φίλτρο (10).
- ◆ Τοποθετήστε το κάλυμμα (3).
- ◆ Τοποθετήστε την κασέτα συλλογής σκόνης (4) πάνω στο εργαλείο.

### Άδειαση της κασέτας συλλογής σκόνης

- ◆ Πρέπει να αδειάζετε την κασέτα (11) συλλογής σκόνης κάθε 10 λεπτά χρήσης.
- ◆ Κουνήστε την κασέτα συλλογής σκόνης (3) για να αδειάσετε τα περιεχόμενα.

### Συμβουλές για άριστη χρήση (εικ. E)

- ◆ Μην βάζετε τα χέρια σας πάνω από τις εγκοπές εξασφαλισμού.
- ◆ Μην ασκείτε μεγάλη πίεση στο εργαλείο.
- ◆ Να ελέγχετε τακτικά την κατάσταση του φύλλου λείανσης. Να το αντικαθιστάτε όταν το κρίνετε απαραίτητο.
- ◆ Να λειανείτε πάντα σύμφωνα με τη φορά των "νερών" του ξύλου.
- ◆ Όταν λειανείτε νέες στρώσεις βαφής πριν περάσετε μια νέα στρώση, χρησιμοποιήστε πολύ ψιλό γυαλόχαρτο.
- ◆ Σε πολύ ανώμαλες επιφάνειες, ή όταν αφαιρείτε στρώσεις βαφής, ξεκινήστε με χοντρό γυαλόχαρτο. Σε άλλες επιφάνειες ξεκινήστε με γυαλόχαρτο μέσου μεγέθους κόκκου. Και στις δύο περιπτώσεις, αλλάξτε σταδιακά σε ψιλότερο γυαλόχαρτο για να είναι λεία η επιφάνεια μετά την επεξεργασία.
- ◆ Συμβουλευτείτε τον έμπορό σας για περισσότερες πληροφορίες σχετικά με τα διαθέσιμα αξεσουάρ.

### Συντήρηση

- ◆ Αυτό το εργαλείο της Black & Decker έχει σχεδιαστεί έτσι ώστε να λειτουργεί για μεγάλο χρονικό διάστημα με την ελάχιστη δυνατή συντήρηση. Η αδιάλειπτη και ικανοποιητική λειτουργία του εργαλείου εξαρτάται από τη φροντίδα και τον τακτικό καθαρισμό.
- ◆ Πριν από κάθε εργασία συντήρησης πρέπει να θέτετε το εργαλείο εκτός λειτουργίας και να το βγάξετε από την πρίζα.
- ◆ Να καθαρίζετε τακτικά τις εγκοπές εξασφαλισμού του εργαλείου με μια μαλακή, στεγνή βούρτσα ή με στεγνό πανί.
- ◆ Να καθαρίζετε τακτικά το περίβλημα του μοτέρ με ένα καθαρό και υγρό πανί. Μην χρησιμοποιείτε λειαντικά καθαριστικά ή υγρά καθαρισμού που περιέχουν διαλυτικά.

### Προστασία του περιβάλλοντος



Στην περίπτωση που κάποτε διαπιστώσει ότι πρέπει να αντικαταστήσετε το εργαλείο ή ότι δεν σας είναι πλέον χρήσιμο, μην ξεχνάτε την ανάγκη προστασίας του περιβάλλοντος. Τα κέντρα επισκευών της Black & Decker παραλαμβάνουν παλαιά εργαλεία Black & Decker και φροντίζουν για την απόρριψή τους με ασφαλή για το περιβάλλον τρόπο.



Η ανεξάρτητη συλλογή των μεταχειρισμένων προϊόντων και των υλικών συσκευασίας δίνει τη δυνατότητα ανακύκλωσης και επαναχρησιμοποίησης των υλικών. Με την επαναχρησιμοποίηση των ανακυκλωμένων υλικών αποτρέπεται η μόλυνση του περιβάλλοντος και μειώνεται η ζήτηση πρώτων υλών.

Οι κανονισμοί που ισχύουν στην περιοχή σας ενδέχεται να προβλέπουν την επιλεκτική περιλλογή των ηλεκτρικών συσκευών που προέρχονται από νοικοκυριά σε κρατικές εγκαταστάσεις ή από τον έμπορο όταν αγοράστεί ένα καινούργιο προϊόν.

Η Black & Decker δίνει τη δυνατότητα ανακύκλωσης των προϊόντων της που έχουν συμπληρώσει τη διάρκεια ζωής τους. Για να χρησιμοποιήσετε αυτήν την υπηρεσία, επιστρέψτε το προϊόν σας σε οποιοδήποτε εξουσιοδοτημένο κέντρο επισκευών, όπου θα το παραλάβουν εκ μέρους μας. Ενημερωθείτε για το πλησιέστερο εξουσιοδοτημένο κέντρο επισκευών της περιοχής σας, επικοινωνώντας με τα γραφεία της Black & Decker στη διεύθυνση που αναγράφεται στο εγχειρίδιο. Επίσης, για να πληροφορηθείτε για τα εξουσιοδοτημένα κέντρα επισκευών της Black & Decker και τους αρμόδιους των υπηρεσιών που παρέχονται μετά την πώληση, μπορείτε να ανατρέξετε στο Διαδίκτυο, στη διεύθυνση: [www.2helpU.com](http://www.2helpU.com).

#### Τεχνικά χαρακτηριστικά

	KA171	KA171GT	KA171L
Τάση	Vac 230	230	230
Ισχύς εισόδου	W 200	200	200
Παλμοί (χωρίς φορτίο)	min-1 15,000	15,000	15,000
Παλινδρομήσεις (χωρίς φορτίο)	min-1 30,000	30,000	30,000
Βάρος	kg 1.5	1.5	1.5

### Δήλωση συμμόρφωσης με την Ευρωπαϊκή Κοινότητα

KA171, KA171GT, KA171L

Η Black & Decker δηλώνει ότι τα προϊόντα αυτά συμμορφώνονται με:

98/37/EK, 89/336/EOX, EN 60745, EN 55014, EN61000  
LpA (ηχητική πίεση) 84,7 dB(A),  
LWA (ακουστική ισχύς) 95,7 dB(A),  
συνδυασμένη χειροβραχιονική δόνηση <5,0 m/s<sup>2</sup>  
Kpa (αβεβαιότητα ηχητικής πίεσης) 3 dB(A),  
Kwa (αβεβαιότητα ακουστικής ισχύος) 3 dB(A),

Kevin Hewitt

Διευθυντής Εξυπηρέτησης Πελατών

Spennymoor, County Durham  
DL16 6JG,

Αγγλία Ηνωμένο Βασίλειο  
31-03-2006



- ◆ Το προϊόν έχει χρησιμοποιηθεί σε εργασιακό, επαγγελματικό περιβάλλον ή αν έχει εννοικιαστεί.
- ◆ Έχει γίνει εσφαλμένη χρήση του προϊόντος ή έχει παραμεληθεί.
- ◆ Το προϊόν έχει υποστεί βλάβη από άλλα αντικείμενα, από ουσίες ή λόγω ατυχήματος.
- ◆ Έχει γίνει προσπάθεια επισκευής από μη εξουσιοδοτημένα κέντρα επισκευών ή από προσωπικό που δεν ανήκει στο προσωπικό της Black & Decker.

Για να ισχύσει η εγγύηση, πρέπει να υποβάλετε απόδειξη αγοράς στον πωλητή ή το εξουσιοδοτημένο κέντρο επισκευών. Ενημερωθείτε για το πλησιέστερο εξουσιοδοτημένο κέντρο επισκευών της περιοχής σας, επικοινωνώντας με τα γραφεία της Black & Decker στη διεύθυνση που αναγράφεται στο εγχειρίδιο. Επίσης, για να πληροφορηθείτε για τα εξουσιοδοτημένα κέντρα επισκευών της Black & Decker και τους αρμόδιους των υπηρεσιών που παρέχονται μετά την πώληση, μπορείτε να ανατρέξετε στο Διαδίκτυο, στη διεύθυνση:

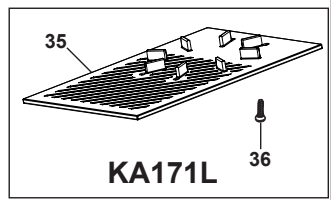
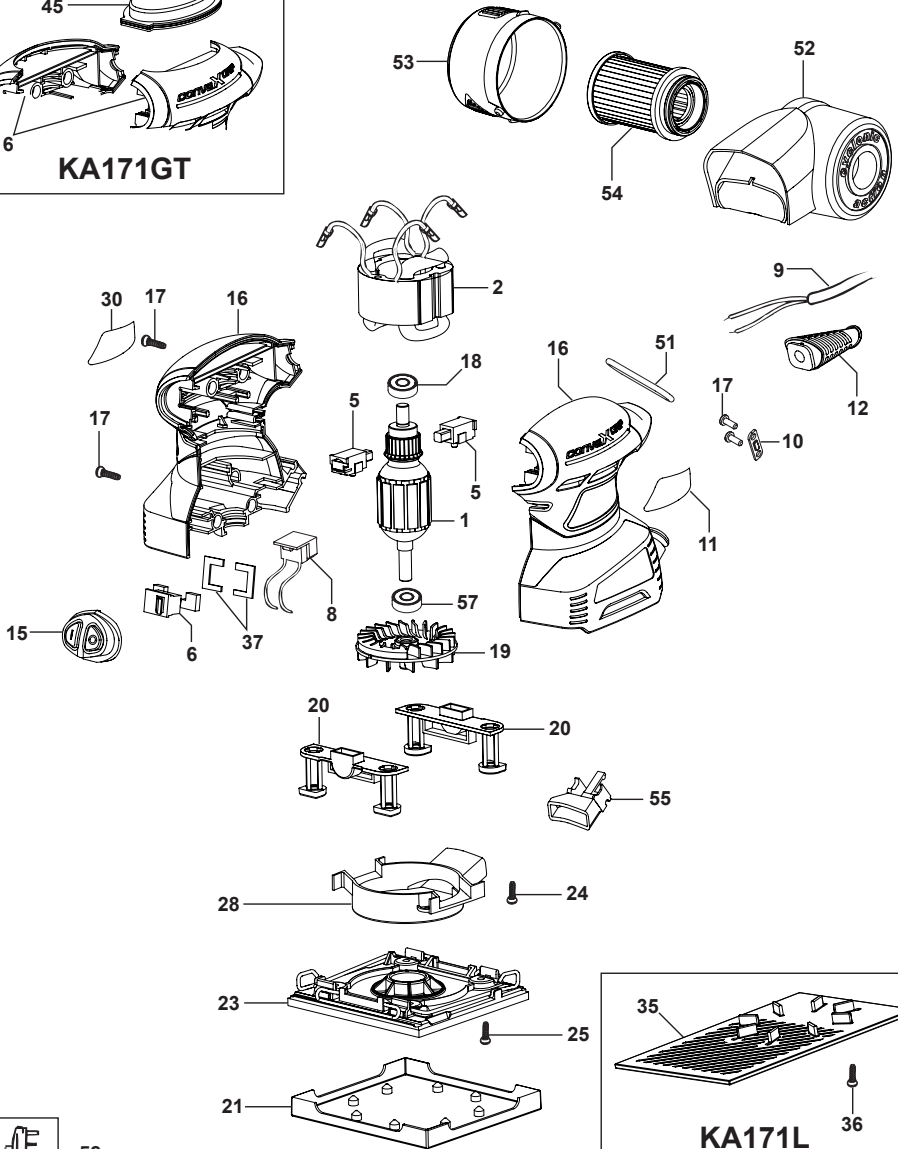
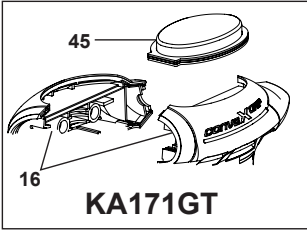
[www.2helpU.com](http://www.2helpU.com)

Παρακαλούμε επισκεφθείτε την ιστοσελίδα μας [www.blackanddecker.co.uk](http://www.blackanddecker.co.uk) για να καταχωρήσετε το νέο σας προϊόν Black & Decker και για να ενημερώνεστε για τα νέα προϊόντα και τις ειδικές προσφορές. Περισσότερες πληροφορίες σχετικά με τη μάρκα Black & Decker και τη σειρά των προϊόντων μας θα βρείτε στη διεύθυνση [www.blackanddecker.co.uk](http://www.blackanddecker.co.uk).

### Εγγύηση

Η Black & Decker είναι σίγουρη για την ποιότητα των προϊόντων της και παρέχει σημαντική εγγύηση. Η παρούσα γραπτή εγγύηση αποτελεί πρόσθετο δικαίωμά σας και δεν ζημιώνει τα νόμιμα δικαιώματά σας. Η εγγύηση ισχύει εντός της επικράτειας των Κρατών Μελών της Ευρωπαϊκής Ένωσης και της Ευρωπαϊκής Ζώνης Ελευθέρων Συναλλαγών.

Σε περίπτωση που κάποιο προϊόν της Black & Decker παρουσιάσει βλάβη εξαιτίας ελαττωματικών υλικών, ποιότητας εργασίας ή έλλειψης συμφωνίας με τις προδιαγραφές εντός 24 μηνών από την ημερομηνία αγοράς, η Black & Decker εγγυάται την αντικατάσταση των ελαττωματικών τμημάτων, την επισκευή προϊόντων που έχουν υποστεί εύλογη φθορά λόγω χρήσης ή την αντικατάσταση των προϊόντων προκειμένου να εξασφαλίσει την ελάχιστη ενόχληση στους πελάτες της, εκτός εάν:





<b>Australia</b>	Black & Decker (Australia) Pty. Ltd. 20 Fletcher Road, Mooroolbark, Victoria, 3138	Tel. 03-8720 5100 Fax 03-9727 5940
<b>België/Belgique</b>	Black & Decker (Belgium) N.V. Campus Noord, Schaliënhoevedreef 20E 2800 Mechelen	Tel. 015 - 47 92 11 Fax 015 - 47 92 10
<b>Danmark</b>	Black & Decker Sluseholmen 2-4, 2450 København SV Internet: <a href="http://www.blackanddecker.dk">www.blackanddecker.dk</a>	Tel. 70 20 15 30 Fax 36 94 49 01
<b>Deutschland</b>	Black & Decker GmbH Black & Decker Str. 40, D - 65510 Idstein	Tel. 06126/21 - 0 Fax 06126/21 29 80
<b>Ελλάδα</b>	Black & Decker (Ελλάς) A.E. Στράβωνος 7 & Λεωφ. Βουλιαγμένης 159 166 74 Γλυφάδα - Αθήνα	Τηλ. 210 8981616 Τηλ. 210 8982630 Φαξ Service 210 8983285
<b>España</b>	Black & Decker Ibérica, S.C.A. Parque de Negocios "Mas Blau" Edificio Muntadas, c/Bergadá, 1, Of. A6 08820 El Prat de Llobregat (Barcelona)	Tel. 934 797 400 Fax 934 797 419
<b>France</b>	Black & Decker (France) S.A.S. B.P. 21, 69571 Dardilly Cédex	Tel. 04 72 20 39 20 Fax 04 72 20 39 00
<b>Helvetia</b>	ROFO AG Gewerbezone Seeblick 3213 Kleinbödingen	Tel. 026-6749391 Fax 026-6749394
<b>Italia</b>	Black & Decker Italia SpA Viale Elvezia 2 20052 Monza (MI)	Tel. 039-23871 Fax 039-2387592/2387594 Numero verde 800-213935
<b>Nederland</b>	Black & Decker Benelux Joulehof 12, 4622 RG Bergen op Zoom	Tel. 0164 - 283000 Fax 0164 - 283100
<b>New Zealand</b>	Black & Decker 81 Hugo Johnston Drive Penrose, Auckland, New Zealand	Tel. 09 579 7600 Fax 09 579 8200
<b>Norge</b>	Black & Decker (Norge) A/S Postboks 4814, Nydalen, 0422 Oslo Internet: <a href="http://www.blackanddecker.no">www.blackanddecker.no</a>	Tlf. 22 90 99 00 Fax 22 90 99 01
<b>Österreich</b>	Black & Decker Vertriebsges.m.b.H Erlaaerstraße 165, 1231 Wien	Tel. 01 66116-0 Fax 01 66116-14
<b>Portugal</b>	Black & Decker Rua Egas Moniz 173 S. João do Estoril 2766-651 Estoril	Tel. 214667500 Fax 214667575
<b>Suomi</b>	Black & Decker Oy Keilasatama 3, 02150 Espoo Black & Decker Oy, Kägelhamnen 3, 02150 Esbo	Puh.: 010 400 430 Faksi: (09) 2510 7100 Tel: 010 400 430 Fax: (09) 2510 7100
<b>Sverige</b>	Black & Decker AB Fabriksg. 7, 412 50 Göteborg	Tel: 031-68 60 60 Fax: 031-68 60 80
<b>Türkiye</b>	İntratek Mühendislik ve Dış Tic. A.Ş. Ortaklar Cad. No:19/2 80290 Mecidiyeköy / İstanbul	Tel. 0212 211 22 10 Faks 0212 266 33 03
<b>United Kingdom</b>	Black & Decker 210 Bath Road Slough, Berkshire SL1 3YD	Tel. 01753 511234 Fax 01753 551155 Helpline 01753 574277
<b>Middle East &amp; Africa</b>	Black & Decker (Overseas) A.G. PB 5420, Dubai, United Arab Emirates	Tel. +971 4 2826464 Fax +971 4 2826466

Dealer address  
Händleradresse  
Cachet du revendeur  
Indirizzo del rivenditore  
Adres van de dealer  
Dirección del detallista  
Morada do revendedor  
Återförärljarens adress  
Forhandlerens adresse  
Forhandler adresse  
Jälleemmyjän osoite  
Διεύθυνση αντιπροσώπου

◆ Name ◆ Nom ◆ Nome  
◆ Name ◆ Nombre ◆ Nome ◆ Namn  
◆ Navn ◆ Navn ◆ Nimi ◆ Oνομα:

◆ Address ◆ Adresse ◆ Adresse ◆ Indirizzo ◆  
Address ◆ Dirección ◆ Morada ◆ Address ◆  
Adresse ◆ Adresse ◆ Osoite ◆ Διεύθυνση:

◆ Town ◆ Ort ◆ Ville ◆ Città ◆ Plaats  
◆ Ciudad ◆ Localidade ◆ Ort ◆ By ◆ By  
◆ Paikkakunta ◆ Πόλη:

◆ Postal code ◆ Postleitzahl ◆ Code postal ◆  
Codice postale ◆ Postcode  
◆ Código ◆ Código postal ◆ Postnr.  
◆ Postnr. ◆ Postnr. ◆ Postnummero  
◆ Κωδικός

◆ Is this tool a gift? ◆ Ist dieses Gerät ein  
Geschenk? ◆ S'agit-il d'un cadeau? ◆ Si tratta  
di un regalo? ◆ Kreeg u de machine als cadeau?  
◆ ¿Ha recibido usted esta herramienta como  
regalo? ◆ Recebeu esta ferramenta como  
presente? ◆ Är verktyget en gåva?  
◆ Er verktoyet en gave? ◆ Er verktojet en gave?  
◆ Onko kone lahja? ◆ Το εργαλείο είναι δώρο?

◆ Yes ◆ Ja ◆ Oui ◆ Si ◆ Ja ◆ Si  
◆ Sim ◆ Ja ◆ Ja ◆ Ja ◆ Kyllä ◆ Nαι

◆ No ◆ Nein ◆ Non ◆ No ◆ Nee  
◆ No ◆ Não ◆ Nej ◆ Nei ◆ Nej  
◆ Ei ◆ Oχι

◆ Is this tool your first purchase? ◆ Ist dieses  
Gerät ein Erstkauf? ◆ Est-ce un 1er achat? ◆  
Questo prodotto è il suo primo acquisto? ◆ Is  
deze machine uw eerste aankoop? ◆ ¿Es esta  
herramienta la primera de este tipo?  
◆ Esta ferramenta é a sua primeira compra? ◆  
Är detta ditt första B&D-verktyg? ◆ Er dette ditt  
første B&D verktoy? ◆ Er dette ditt første B&D  
verktøj? ◆ Onko tämä ensimmäinen B&D-

Date of purchase  
Kaufdatum  
Date d'achat  
Data d'acquisto  
Aankoopdatum  
Fecha de compra  
Data de compra  
Inkõpsidatum  
Imkjõpsudato  
Indkøbsdato  
Ostopäivä  
Ημερομηνία αγοράς

koneesi? ◆ Είναι το εργαλείο αυτό η  
πρώτη σας αγορά?

◆ Yes ◆ Ja ◆ Oui ◆ Si ◆ Ja ◆ Si  
◆ Sim ◆ Ja ◆ Ja ◆ Ja ◆ Kyllä ◆ Nαι

◆ No ◆ Nein ◆ Non ◆ No ◆ Nee  
◆ No ◆ Não ◆ Nej ◆ Nei ◆ Nej  
◆ Ei ◆ Oχι

◆ Dealer address ◆ Händleradresse  
◆ Cachet du revendeur ◆ Indirizzo del  
rivenditore ◆ Adres van de dealer  
◆ Dirección del detallista ◆ Morada do  
revendedor ◆ Återförärljarens adress  
◆ Forhandlerens adresse ◆ Forhandler adresse  
◆ Jälleemmyjän osoite  
◆ Διεύθυνση αντιπροσώπου

Cat. no.:



◆ Data protection act: Tick the box if you prefer  
not to receive further information. ◆ Bitte  
ankreuzen, falls Sie keine weiteren  
Informationen erhalten möchten. ◆ Si vous ne  
souhaitez pas recevoir d'informations, cochez  
cette case. ◆ Barrate la casella se non  
desiderate ricevere informazioni.  
◆ A.u.b. ditt vakje aankreuzen indien u geen  
informatie wenst te ontvangen.  
◆ Señale en la casilla sino quiere recibir  
información. ◆ Por favor, assinala com uma cruz  
se não desejar receber informação. ◆ Vänligen  
kryssa för i rutan om Ni inte vill få information.  
◆ Venligst kryss av dersom du ikke ønsker  
informasjon. ◆ Venligst sæt kryds i ruden  
såfremt De ikke måtte ønske at modtage  
information.  
◆ Merkittäkö rasti ruutuun, mikäli ette halua  
vastaanottaa informaatiota.  
◆ Παρακαλείσθε να σημειώσετε εάν δεν θέλετε  
να πάρετε πληροφορίες.

- ✦ GUARANTEE CARD      ✦ GARANTIEKARTE      ✦ CARTE DE GARANTIE      ✦ TAGLIANDO DI GARANZIA  
✦ GARANTIEKAART      ✦ TARJETA DE GARANTIA      ✦ CARTÃO DE GARANTIA      ✦ GARANTIBEVIS  
✦ GARANTI KORT      ✦ GARANTI KORT      ✦ TAKUKUKORTTI      ✦ KAPTA ΕΓΓΥΗΣΗΣ



**English**

Please complete this section immediately after the purchase of your tool and send it to Black & Decker in your country. If you live in Australia or New Zealand, please register by using the alternative guarantee card supplied.

**Deutsch**

Bitte schneiden Sie diesen Abschnitt ab, stecken ihn in einen frankierten Umschlag und schicken ihn an die Black & Decker Adresse Ihres Landes.

**Français**

Découpez cette partie et envoyez-la sous enveloppe timbrée à l'adresse de Black & Decker dans votre pays, ceci immédiatement après votre achat.

**Italiano**

Per favore ritagliate questa parte, inseritela in una busta con francobollo e spedite la subito dopo l'acquisto del prodotto all'indirizzo della Black & Decker nella vostra nazione.

**Nederlands**

Knip dit gedeelte uit en zend het direct na aankoop in een gefrankeerde, geadresseerde envelop naar het adres van Black & Decker in uw land.

**Español**

Después de haber comprado su herramienta envíe usted, por favor, esta tarjeta a la central de Black & Decker en su país.

**Português**

Por favor, recorte esta parte, coloque-a num envelope selado e endereçado e envie-o logo após a compra do seu produto para o endereço da Black & Decker do seu país.

**Svenska**

Var vänlig klipp ur denna del och sänd den i ett frankerat kuvert till Black & Deckers adress i Ditt land.

**Norsk**

Vennligst klipp ut denne delen umiddelbart etter du har pakket ut ditt produkt og legg det i en adressert konvolutt til Black & Decker (Norge) A/S.

**Dansk**

Venligst klip denne del ud og send frankeret til Black & Decker i dit land.

**Suomi**

Leikkää iriti tämä osa, laita se kuoreen ja postita kuori paikalliseen Black & Deckers osoitteeseen.

**Ελληνικά**

Παράκατω κόψτε αυτό το κομμάτι και τοχυλοποιήστε το μετέωρα μετά την αγορά του προϊόντος σας στην διεύθυνση της Black & Decker στην Ελλάδα.