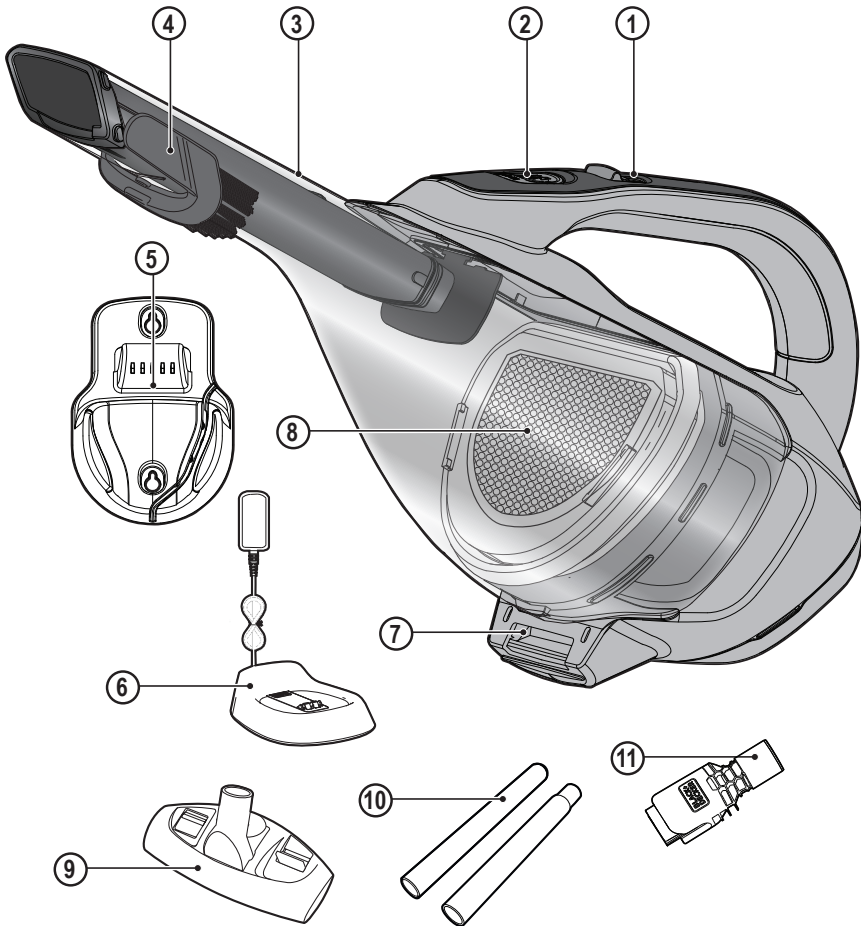
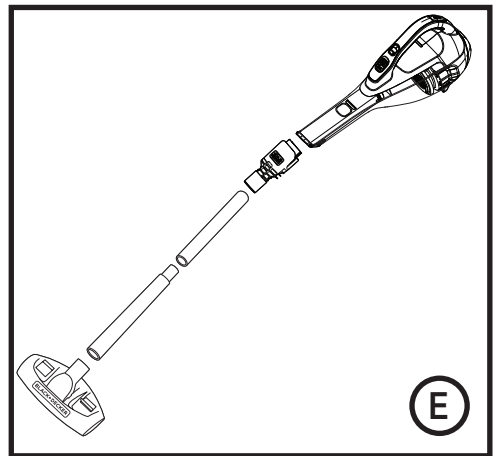
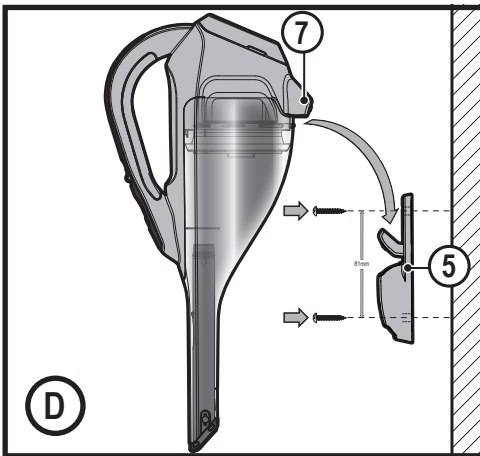
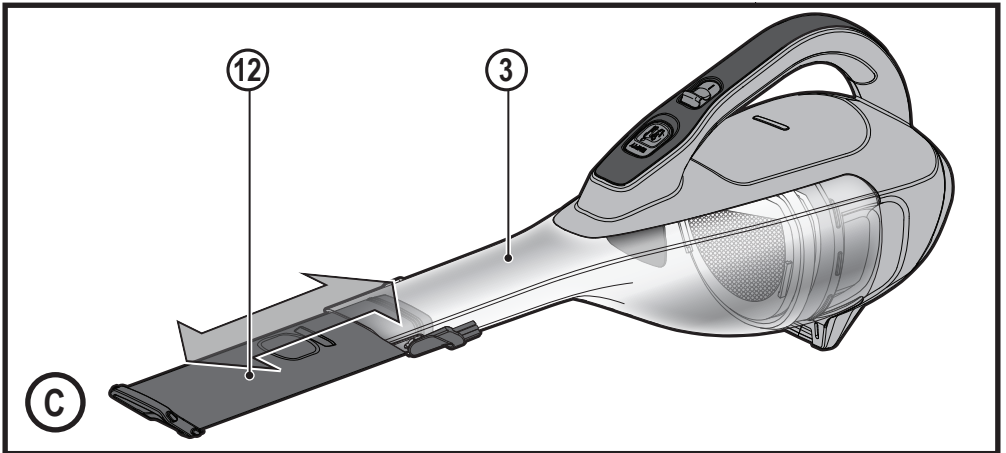
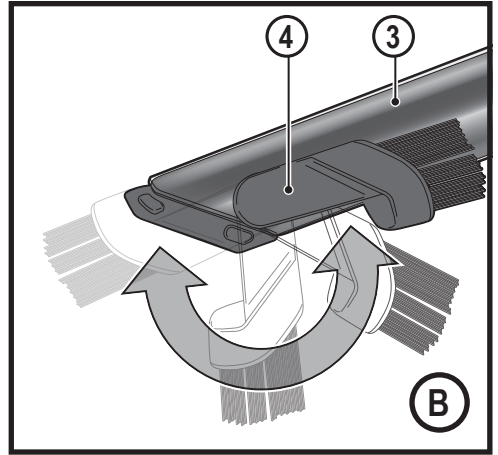
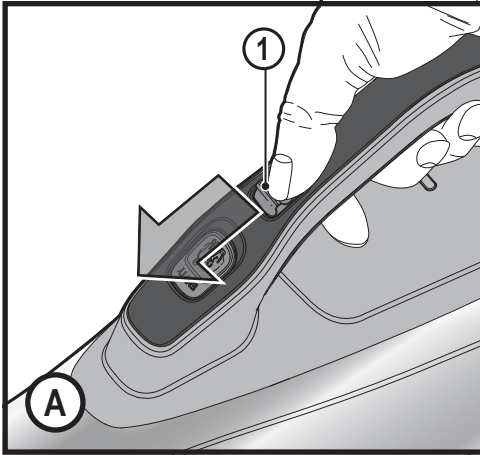
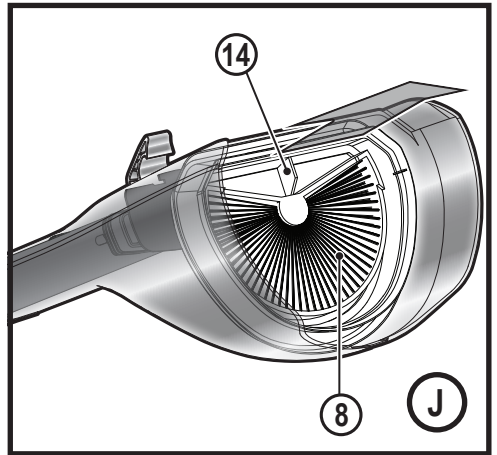
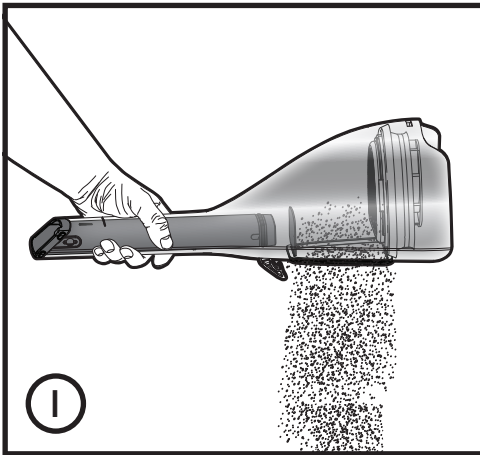
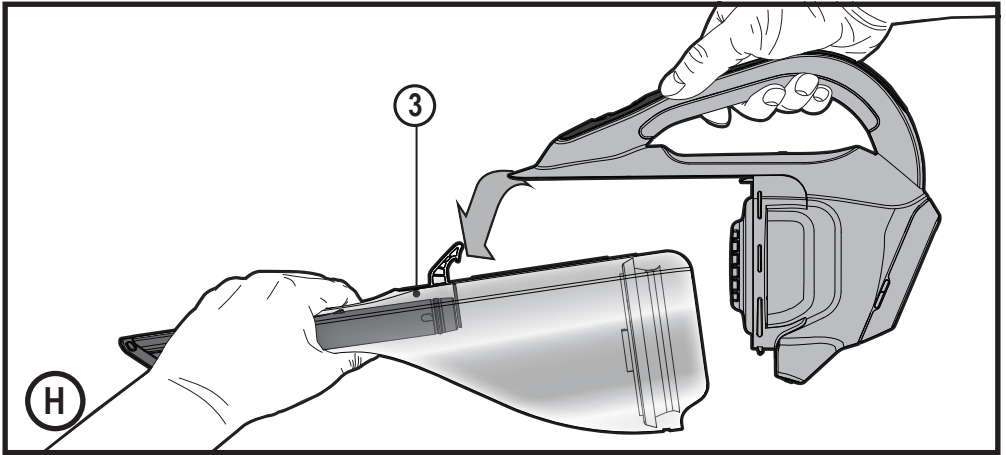
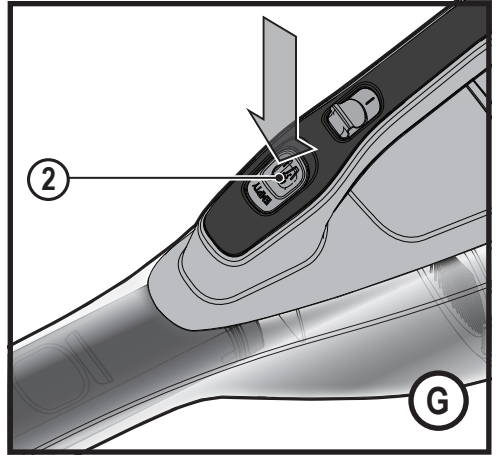
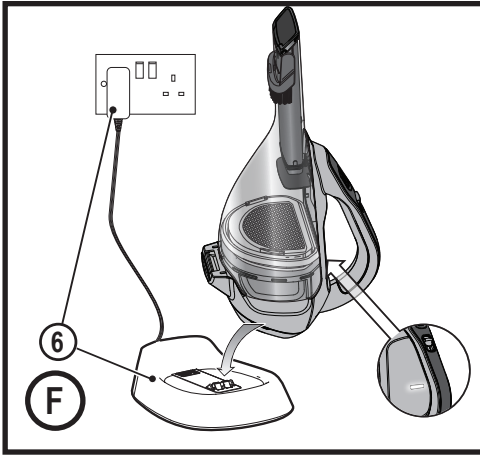


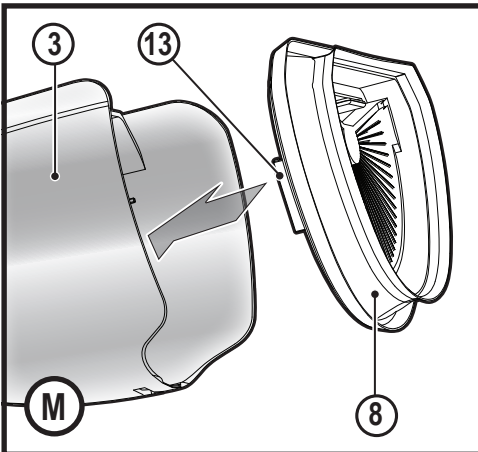
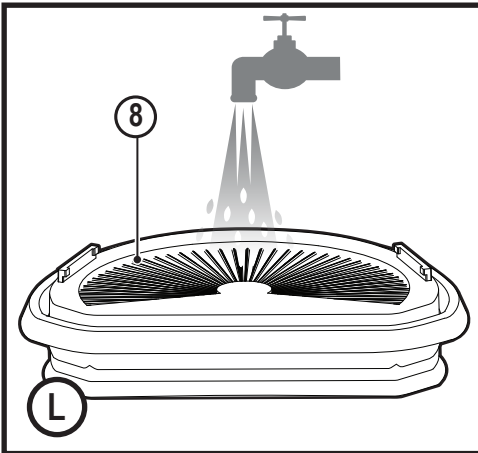
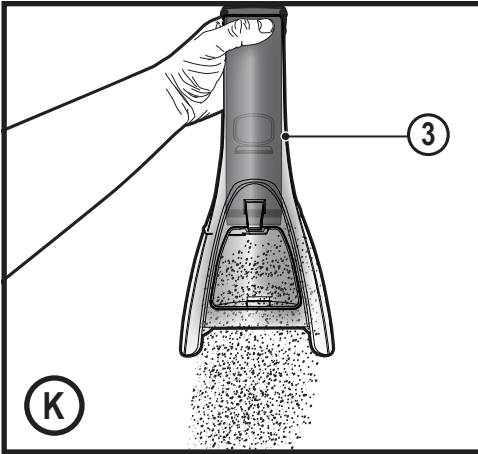


Hand-Held Vacuum Cleaner









Intended use

Your BLACK+DECKER DVA320BF Dustbuster® hand-held vacuum cleaners have been designed for vacuum cleaning purposes. These appliances are intended for household use only.



Read all of this manual carefully before operating the appliance.

Safety instructions



Warning! Read all safety warnings and all instructions.

Failure to follow the warnings and instructions listed below may result in electric shock, fire and/or serious injury.

- ◆ The intended use is described in this manual. The use of any accessory or attachment or the performance of any operation with this appliance other than those recommended in this instruction manual may present a risk of personal injury.
- ◆ Retain this manual for future reference.

Using your appliance

- ◆ Do not use the appliance to pick up liquids or any materials that could catch fire.
- ◆ Do not use the appliance near water.
- ◆ Do not immerse the appliance in water.
- ◆ Never pull the charger lead to disconnect the charger from the socket. Keep the charger lead away from heat, oil and sharp edges.

- ◆ This appliance can be used by children aged from 8 years and above and persons with reduced physical, sensory or mental capabilities or lack of experience and knowledge if they have been given supervision or instruction concerning use of the appliance in a safe way and understand the hazards involved. Children shall not play with the appliance. Cleaning and user maintenance shall not be made by children without supervision.

Inspection and repairs

Before use, check the appliance for damaged or defective parts.

Check for breakage of parts, damage to switches and any other conditions that may affect its operation.

- ◆ Do not use the appliance if any part is damaged or defective.
- ◆ Have any damaged or defective parts repaired or replaced by an authorized repair agent.
- ◆ Regularly check the charger lead for damage. Replace the charger if the lead is damaged or defective.
- ◆ Never attempt to remove or replace any parts other than those specified in this manual.

Additional safety instructions

After use

- ◆ Unplug the charger before cleaning the charger or charging base.
- ◆ When not in use, the appliance should be stored in a dry place.

- ◆ Children should not have access to stored appliances.

Chargers


Your charger has been designed for a specific voltage. Always check that the mains voltage corresponds to the voltage on the rating plate.


Warning! Never attempt to replace the charger unit with a regular mains plug.


- ◆ Use your BLACK+DECKER charger only to charge the battery in the appliance with which it was supplied. Other batteries could burst, causing personal injury and damage.
- ◆ Never attempt to charge non-rechargeable batteries.
- ◆ If the supply cord is damaged, it must be replaced by the manufacturer or an authorised BLACK+DECKER Service Centre in order to avoid a hazard.
- ◆ Do not expose the charger to water.
- ◆ Do not open the charger.
- ◆ Do not probe the charger.
- ◆ The appliance/battery must be placed in a well ventilated area when charging.

Electrical safety

Symbols on the charger

 Read all of this manual carefully before using the appliance.

 This tool is double insulated; therefore no earth wire is required. Always check that the power supply corresponds to the voltage on the rating plate.

 The charger is intended for indoor use only.

Labels on appliance

The following symbols appear on this appliance along with the date code.



Read all of this manual carefully before using the appliance



Only use with charger S010Q 14

Features

This tool includes some or all of the following features.

1. On/off power switch
2. Dust chamber release button
3. Dust chamber
4. Flip up brush
5. Wall bracket
6. Charger base
7. Hanging attachment
8. Filter
9. Floor head
10. Extension tubes
11. Adaptor

Use

Switching on and off (Fig. A)

- ◆ Push the On/off power switch (1) to the forward position to turn on the unit.
- ◆ Returning the On/off power (1) switch will turn the unit off.

Flip down brush (Fig. B)

- ◆ Flip the brush attachment (4) into position as shown in figure B.

Using the pull out crevice tool (Fig. C)

- ◆ Extend the crevice tool (12) as shown in figure C, until it clicks in place.

Note: The flip down brush (4) can only be utilised when the crevice tool is in the retracted position.

Fitting the wall bracket (Fig. D)

- ◆ Fit the wall bracket (5) to a suitable wall (preferably near a power outlet) using the screws provided.
- ◆ The unit can then be stored, when not in use, or during the charging procedure, utilising the hanging attachment (7).

Charging (Fig. F)

- ◆ Place the appliance onto the charging base (6).
- ◆ Place the charging plug into a power outlet and switch on as shown in figure F. The charger LED will light.

Cleaning the filters (Fig. G, H, I, J, K,L)

- ◆ Press the dust chamber release button (2) as shown in figure G.
- ◆ Separate the dust chamber (3) from the motor unit as shown in figure H.
- ◆ You can use the easy empty feature as shown in figure I.
- ◆ Lift the filter (8) out of the dust chamber (3) using the tab (14) provided.
- ◆ Empty the dust bowl (3) by lightly shaking over a suitable container as shown in figure K.
- ◆ Rinse out the dust-bowl with warm soapy water.
- ◆ Wash the filters with warm soapy water as shown in figure L.
- ◆ Allow the filters to dry naturally, using heat may cause the filters to distort.
- ◆ Refit the filter (8) into dust chamber (3). Make sure the filter tabs (13) face forward. **Never place the filters into the dust chamber backwards.**
- ◆ Replace the dust chamber onto the motor unit. Make sure the release button (2) clicks into place.

Warning! Before performing any maintenance or cleaning on the appliance, unplug the appliance.

From time to time wipe the appliance with a damp cloth.

Do not use any abrasive or solvent-based cleaner. Do not immerse the appliance in water

Maintenance

Your BLACK+DECKER cordless appliance has been designed to operate over a long period of time with a minimum of maintenance. Continuous satisfactory operation depends upon proper tool care and regular cleaning.

Warning! Before performing any maintenance on cordless appliances:

- ◆ Run the battery down completely if it is integral and then switch off.
- ◆ Unplug the charger before cleaning it. Your charger does not require any maintenance apart from regular cleaning.
- ◆ Regularly clean the ventilation slots in your appliance/charger using a soft brush or dry cloth.
- ◆ Regularly clean the motor housing using a damp cloth. Do not use any abrasive or solvent-based cleaner.

Replacing the filters

The filters should be replaced every 6 to 9 months and whenever worn or damaged. Replacement filters are available from your BLACK+DECKER dealer.

- ◆ Remove the old filters as described above.
- ◆ Fit the new filters as described above.

Protecting the environment



Separate collection. Products and batteries marked with this symbol must not be disposed of with normal household waste.

Should you find one day that your Black & Decker product needs replacement, or if it is of no further use to you, do not dispose of it with household waste. Make this product available for separate collection.



Separate collection of used products and packaging allows materials to be recycled and used again. Re-use of recycled materials helps prevent environmental pollution and reduces the demand for raw materials.

Local regulations may provide for separate collection of electrical products from the household, at municipal waste sites or by the retailer when you purchase a new product.

Black & Decker provides a facility for the collection and recycling of Black & Decker products once they have reached the end of their working life. To take advantage of this service please return your product to any authorised repair agent who will collect them on our behalf.

Service Information

Black & Decker offers a full network of company-owned and authorized service locations throughout Asia. All Black & Decker Service Centers are staffed with trained personnel to provide customers with efficient and reliable product service.

Whether you need technical advice, repair, or genuine factory replacement parts, contact the Black & Decker location nearest to you.

Note

- ◆ Black & Decker's policy is one of continuous improvement to our products and, as such, we reserve the right to change product specifications without prior notice..
- ◆ Standard equipment and accessories may vary by country.
- ◆ Product specifications may differ by country.
- ◆ Complete product range may not be available in all countries. Contact your local Black & Decker dealers for range availability.

Technical Data

DVA320BF	
Voltage	10.8V
Capacity	2.0Ah
Weight	0.9Kg
Charger	
Input voltage	100-240V
Output current	400mA
Approx. charging time	5h

