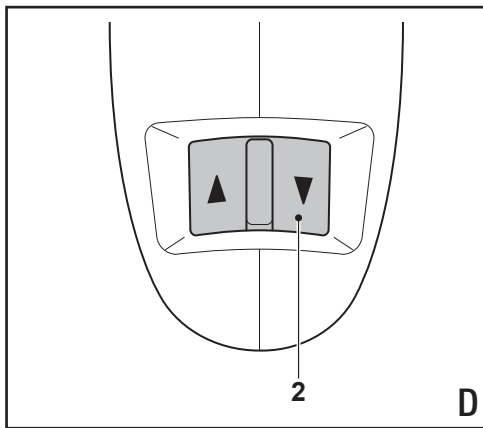
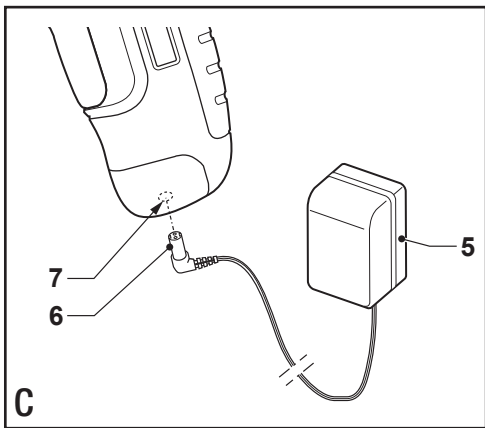
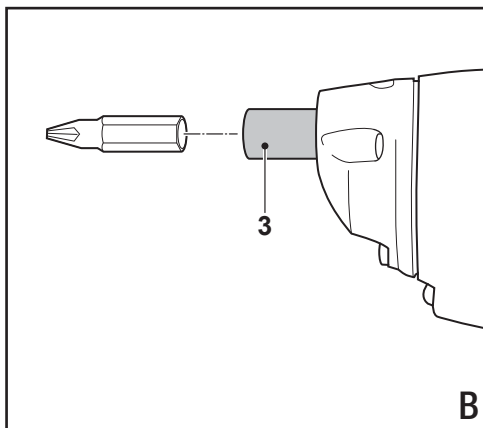
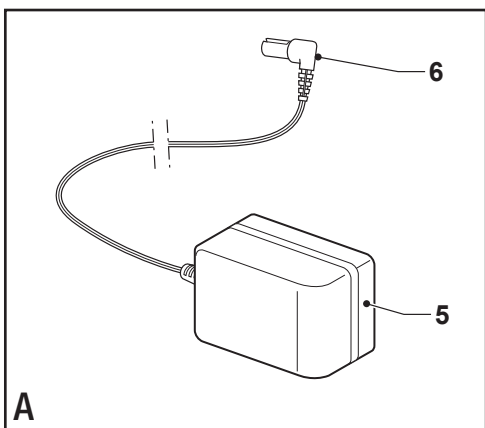
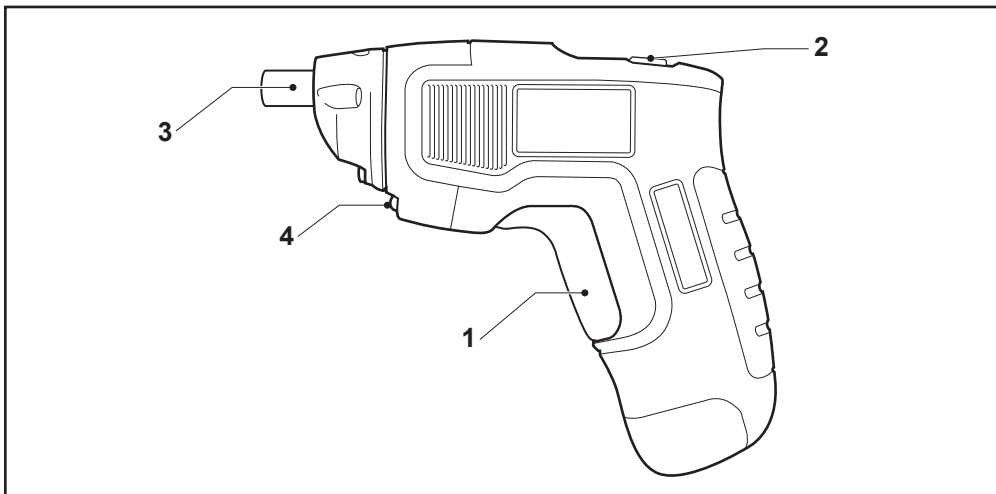


CP310X

90617796

ENGLISH
INDONESIA

3
8



CP310X SCREWDRIVER

TECHNICAL DATA

SCREWDRIVER		CP310X
Voltage	V _{DC}	3.6
No Load Speed	min ⁻¹	180
Max. torque	Nm	7.7
Bit holder	mm	6.35 (1/4")
Weight	kg	0.4
Battery		
Voltage	V	3.6
Battery type		Li-Ion
AHr rating		1.5
Charger		
Input voltage	V _{AC}	220-240
Approx. Charging Time	h	16

INTENDED USE

Your Black & Decker screwdriver has been designed for screwdriving applications and drilling in wood, metal and plastics. This tool is intended for consumer use only.

GENERAL SAFETY RULES



WARNING! Read safety warnings and all instructions. Failure to follow all instructions listed below may result in electric shock, fire and/or serious injury.

Save all warnings and instructions for future reference. The term "power tool" in all of the warnings listed below refers to your mains operated (corded) power tool or battery operated (cordless) power tool.

1. Work area safety

- Keep work area clean and well lit.** Cluttered or dark areas invite accidents.
- Do not operate power tools in explosive atmospheres, such as in the presence of flammable liquids, gases or dust.** Power tools create sparks which may ignite the dust or fumes.
- Keep children and bystanders away while operating a power tool.** Distractions can cause you to lose control.

2. Electrical safety

- Power tool plugs must match the outlet. Never modify the plug in any way.** Do not use any adapter plugs with earthed (grounded) power tools. Unmodified plugs and matching outlets will reduce risk of electric shock.
- Avoid body contact with earthed or grounded surfaces, such as pipes, radiators, ranges and refrigerators.** There is an increased risk of electric shock if your body is earthed or grounded.

- Do not expose power tools to rain or wet conditions.** Water entering a power tool will increase the risk of electric shock.
- Do not abuse the cord. Never use the cord for carrying, pulling or unplugging the power tool. Keep cord away from heat, oil, sharp edges or moving parts.** Damaged or entangled cords increase the risk of electric shock.
- When operating a power tool outdoors, use an extension cord suitable for outdoor use.** Use of a cord suitable for outdoor use reduces the risk of electric shock.
- If operating a power tool in a damp location is unavoidable, use a residual current device (RCD) protected supply.** Use of an RCD reduces the risk of electric shock.

3 Personal safety

- Stay alert, watch what you are doing and use common sense when operating a power tool. Do not use a power tool while you are tired or under the influence of drugs, alcohol or medication.** A moment of inattention while operating power tools may result in serious personal injury.
- Use personal protective equipment. Always wear eye protection.** Protective equipment such as dust mask, non-skid safety shoes, hard hat, or hearing protection used for appropriate conditions will reduce personal injuries.
- Prevent unintentional starting. Ensure the switch is in the off-position before connecting to power source and/or battery pack, picking up or carrying the tool.** Carrying power tools with your finger on the switch or energising power tools that have the switch on invites accidents.
- Remove any adjusting key or wrench before turning the power tool on.** A wrench or a key left attached to a rotating part of the power tool may result in personal injury.
- Do not overreach. Keep proper footing and balance at all times.** This enables better control of the power tool in unexpected situations.
- Dress properly. Do not wear loose clothing or jewellery. Keep your hair, clothing and gloves away from moving parts.** Loose clothes, jewellery or long hair can be caught in moving parts.
- If devices are provided for the connection of dust extraction and collection facilities, ensure these are connected and properly used.** Use of dust collection can reduce dust-related hazards.

4. Power tool use and care

- Do not force the power tool. Use the correct power tool for your application.** The correct power tool will do the job better and safer at the rate for which it was designed.

- b. Do not use the power tool if the switch does not turn it on and off.** Any power tool that cannot be controlled with the switch is dangerous and must be repaired.
- c. Disconnect the plug from the power source and/ or the battery pack from the power tool before making any adjustments, changing accessories, or storing power tools.** Such preventive safety measures reduce the risk of starting the power tool accidentally.
- d. Store idle power tools out of the reach of children and do not allow persons unfamiliar with the power tool or these instructions to operate the power tool.** Power tools are dangerous in the hands of untrained users.
- e. Maintain power tools. Check for misalignment or binding of moving parts, breakage of parts and any other condition that may affect the power tool's operation. If damaged, have the power tool repaired before use.** Many accidents are caused by poorly maintained power tools.
- f. Keep cutting tools sharp and clean.** Properly maintained cutting tools with sharp cutting edges are less likely to bind and are easier to control.
- g. Use the power tool, accessories and tool bits etc. in accordance with these instructions, taking into account the working conditions and the work to be performed.** Use of the power tool for operations different from those intended could result in a hazardous situation.
- 5. Battery tool use and care**
- a. Recharge only with the charger specified by the manufacturer.** A charger that is suitable for one type of battery pack may create a risk of fire when used with another battery pack.
- b. Use power tools only with specifically designated battery packs.** Use of any other battery packs may create a risk of injury and fire.
- c. When battery pack is not in use, keep it away from other metal objects, like paper clips, coins, keys, nails, screws, or other small metal objects, that can make a connection from one terminal to another.** Shorting the battery terminals together may cause burns or a fire.
- d. Under abusive conditions, liquid may be ejected from the battery; avoid contact. If contact accidentally occurs, flush with water. If liquid contacts eyes, additionally seek medical help.** Liquid ejected from the battery may cause irritation or burns.
- 6. Service**
- a. Have your power tool serviced by a qualified repair person using only identical replacement parts.** This will ensure that the safety of the power tool is maintained.

ADDITIONAL POWER TOOL SAFETY WARNINGS



- Warning!** Additional safety warnings for screwdrivers and impact wrenches
- **Hold power tool by insulated gripping surfaces when performing an operation where the fastener may contact hidden wiring or its own cord.** Fasteners contacting a "live" wire may make exposed metal parts of the power tool "live" and shock the operator.
 - **Wear ear protectors with impact wrenches.** Exposure to noise can cause hearing loss.
 - **Use auxiliary handles supplied with the tool.** Loss of control can cause personal injury.
 - **Use clamps or another practical way to secure and support the workpiece to a stable platform.** Holding the work by hand or against your body leaves it unstable and may lead to loss of control.
 - Before driving fasteners into walls, floors or ceilings, check for the location of wiring and pipes.
 - This tool is not intended for use by persons (including children) with reduced physical, sensory or mental capabilities, or lack of experience and knowledge, unless they have been given supervision or instruction concerning use of the appliance by a person responsible for their safety. Children should be supervised to ensure that they do not play with the appliance.
 - The intended use is described in this instruction manual.
 - The use of any accessory or attachment or performance of any operation with this tool other than those recommended in this instruction manual may present a risk of personal injury and/or damage to property.

LABELS ON TOOL

The following pictograms are shown on the tool:



- Warning!** To reduce the risk of injury, the user must read the instruction manual.

ADDITIONAL SAFETY INSTRUCTIONS FOR BATTERIES AND CHARGERS

BATTERIES

- Never attempt to open for any reason.
- Do not expose the battery to water.
- Do not expose the battery to heat.
- Do not store in locations where the temperature may exceed 40 °C.
- Charge only at ambient temperatures between 10 °C and 40 °C.
- Charge only using the charger provided with the appliance/tool.
- When disposing of batteries, follow the instructions given in the section "Protecting the environment".

CHARGERS

- Use your Black & Decker charger only to charge the battery in the tool with which it was supplied. Other batteries could burst, causing personal injury and damage.
- Never attempt to charge non-rechargeable batteries.
- Have defective cords replaced immediately.
- Do not expose the charger to water.
- Do not open the charger.
- Do not probe the charger.



The charger is intended for indoor use only.



Read the instruction manual before use.



The charger automatically shuts off if the ambient temperature becomes too high. As soon as the ambient temperature has cooled down, the charger will resume operating.



Charge only at ambient temperatures between 10 °C and 40 °C.



Charging

ELECTRICAL SAFETY



Your charger is double insulated; therefore no earth wire is required. Always check that the mains voltage corresponds to the voltage on the rating plate. Never attempt to replace the charger unit with a regular mains plug.

- If the supply cord is damaged, it must be replaced by the manufacturer or an authorised Black & Decker Service Centre in order to avoid a hazard.

Warning! Never attempt to replace the charger unit with a regular mains plug.

FEATURES

1. On/off switch
2. Forward/reverse slider
3. Bit holder
4. LED light
7. Charger connector

FIG. A

5. Charger
6. Charger plug

ASSEMBLY

FITTING AND REMOVING A DRILL BIT OR A SCREWDRIVER BIT (fig. B)

This tool uses screwdriver bits and drill bits with a 6.35 mm (1/4") hexagonal shank.

- To fit a bit, insert the bit shaft into the bit holder (3).
- To remove a bit, pull the bit shaft out of the bit holder (3).

USE

- Before first use, the battery must be charged for at least 12 hours.
- The battery needs to be charged before first use and whenever it fails to produce sufficient power on jobs that were easily done before. When charging the battery for the first time, or after a prolonged storage, it will only accept an 80% charge. After several charges and discharge cycles, the battery will attain full capacity.

CHARGING THE BATTERY (FIG. C)

- To charge the battery, insert the charger plug (6) into the charger connector (7).
- Plug in the charger (5).
- Leave the tool connected to the charger for 16 hours. The charger may hum and become warm while charging; this is normal and does not indicate a problem.

Warning! Do not charge the battery at ambient temperatures below 10 °C or above 40 °C.

SELECTING THE DIRECTION OF ROTATION (FIG. D)

For drilling and for tightening screws, use forward rotation. For loosening screws or removing a jammed drill bit, use reverse rotation.

- To select forward rotation, push the forward/reverse slider (2) to the forward position.
- To select reverse rotation, push the forward/reverse slider (2) to the rearward position.
- To lock the tool, set the forward/reverse slider into the centre position.

DRILLING/SCREWDRIVING

- Select forward or reverse rotation using the forward/reverse slider (2).
- To switch the tool on, press the on/off switch (1).
- To switch the tool off, release the on/off switch (1).

LED LIGHT

The LED light (4) is activated automatically when the trigger is depressed. The LED will also illuminate when the trigger is depressed and the forward/reverse slider (2) is in the locked off position (central position).

Hints for optimum use

SCREWDRIVING

- Let the tool work at its own pace. Do not overload.
- Always use the correct type and size of screwdriver bit.

- If screws are difficult to tighten, try applying a small amount of washing liquid or soap as a lubricant.
- Use the spindle lock to loosen very tight screws or to firmly tighten screws.
- Always hold the tool and screwdriver bit in a straight line with the screw.
- When screwing in wood, it is recommended to drill a pilot hole with a depth equal to the length of the screw. A pilot hole guides the screw and prevents splintering or distortion of the wood. For the optimum size of the pilot hole, refer to the table below.
- When screwing in hardwood, also drill a clearance hole with a depth equal to half the length of the screw. For the optimum size of the clearance hole, refer to the table below.


Screw size	Pilot hole Ø (softwood)	Pilot hole Ø (hardwood)	Clearance hole
No. 6 (3.5 mm)	2.0 mm	2.5 mm	3.6 mm
No. 8 (4 mm)	2.5 mm	3.0 mm	4.5 mm
No. 10 (5 mm)	3.0 mm	3.5 mm	5.0 mm

DRILLING

- Always apply a light pressure in a straight line with the drill bit.
- Just before the drill tip breaks through the other side of the workpiece, decrease pressure on the tool.
- Use a block of wood to back up workpieces that may splinter.
- Make an indentation using a centre punch at the centre of the hole to be drilled in order to improve accuracy.

MAINTENANCE

Your Black & Decker power tool has been designed to operate over a long period of time with a minimum of maintenance. Continuous satisfactory operation depends upon proper tool care and regular cleaning.

 **Warning!** Before performing any maintenance on the tool, remove the battery from the tool. Unplug the charger before cleaning it.

- Regularly clean the ventilation slots in your tool using a soft brush or dry cloth.
- Regularly clean the motor housing using a damp cloth.
- Do not use any abrasive or solvent-based cleaner.
- Regularly open the chuck and tap it to remove any dust from the interior.

This tool is not user-serviceable. Take it to an authorized Black & Decker repair agent for service.


Your charger does not require any maintenance apart from regular cleaning.


IMPORTANT

To ensure product SAFETY and RELIABILITY, repairs, maintenance and adjustment (other than those listed in this manual) should be performed by authorized service centers or other qualified organizations, always-using


identical replacement parts. Unit contains no user serviceable parts inside.

CLEANING

 **WARNING:** Blow dirt and dust out of the main housing with dry air as often as dirt is seen collecting in and around the air vents. Wear approved eye protection and approved dust mask when performing this procedure.


 **WARNING:** Never use solvents or other harsh chemicals for cleaning the non-metallic parts of the tool. These chemicals may weaken the materials used in these parts. Use a cloth dampened only with water and mild soap. Never let any liquid get inside the tool; never immerse any part of the tool into a liquid.

CHARGER CLEANING INSTRUCTIONS


 **WARNING:** Shock hazard. Disconnect the charger from the AC outlet before cleaning. Dirt and grease may be removed from the exterior of the charger using a cloth or soft non-metallic brush. Do not use water or any cleaning solutions.

ACCESSORIES


The performance of your tool depends on the accessory used. Black & Decker and Piranha accessories are engineered to high quality standards and designed to enhance the performance of your tool. By using these accessories you will get the very best from your tool. Black & Decker offers a large selection of accessories available at our local dealer or authorized service center at extra cost.

 **CAUTION:** The use of any other accessory not recommended for use with this tool could be hazardous.

PROTECTING THE ENVIRONMENT

 Separate collection. This product must not be disposed of with normal household waste.

Should you find one day that your Black & Decker product needs replacement, or if it is of no further use to you, do not dispose of it with household waste. Make this product available for separate collection.

 Separate collection of used products and packaging allows materials to be recycled and used again. Re-use of recycled materials helps prevent environmental pollution and reduces the demand for raw materials.

If necessary, contact your local municipality for proper disposal instructions in your city/town.

BATTERIES

Black & Decker batteries can be recharged many times. At the end of their useful life, discard batteries with due care for our environment:

Run the battery down completely, and then remove it from the tool.

NiCd and NiMH batteries are recyclable. Take them to a local recycling station.

SERVICE INFORMATION

Black & Decker offers a full network of company-owned and authorized service locations throughout Asia. All Black & Decker Service Centers are staffed with trained personnel to provide customers with efficient and reliable power tool service. Whether you need technical advice, repair, or genuine factory replacement parts, contact the Black & Decker location nearest to you.

NOTES

- Black & Decker's policy is one of continuous improvement to our products and, as such, we reserve the right to change product specifications without prior notice.
- Standard equipment and accessories may vary by country.
- Product specifications may differ by country.
- Complete product range may not be available in all countries. Contact your local Black & Decker dealers for range availability.

CP310X OBENG

DATA TEKNIS

OBENG		CP310X
Tegangan	V_{DC}	3,6
Kecepatan tanpa beban	men ¹	180
Torsi maks	Nm	7,7
Pemegang Bit	mm	6,35 (1/4")
Berat	kg	0,4
Baterai		
Tegangan	V	3,6
Tipe Baterai		Li-Ion
Peringkat A Hr		1,5
Alat Pengisi Daya		
Tegangan input	V_{AC}	220-240
Perk. Waktu Pengisian	j	16

TUJUAN PENGGUNAAN

Obeng Black & Decker Anda telah dirancang untuk aplikasi memasang sekrup dan mengebor pada kayu, logam dan plastik. Perkakas ini ditujukan hanya untuk penggunaan konsumen.

PERATURAN KEAMANAN UMUM



PERINGATAN! Baca peringatan keamanan dan semua instruksi. Mengikuti semua instruksi yang terdaftar di bawah ini bisa menyebabkan sengatan listrik, kebakaran dan/atau cedera serius.

Simpan semua peringatan dan instruksi untuk referensi di kemudian hari. Istilah "perkakas daya" dalam semua peringatan yang terdaftar di bawah ini mengacu pada perkakas daya (dengan kabel) yang merupakan operasi utama Anda dan perkakas daya (tanpa kabel) yang dioperasikan dengan baterai.

1. Keamanan area kerja

- Jaga kebersihan dan kerapuhan area kerja.** Area yang berantakan atau gelap dapat menyebabkan kecelakaan.
- Jangan mengoperasikan perkakas listrik ini di lingkungan yang mudah menimbulkan bahaya ledakan, seperti di tempat terdapat cairan mudah terbakar, gas atau debu.** Perkakas listrik ini menimbulkan percikan api yang dapat membakar debu atau uap.
- Jauhkan anak-anak dan orang yang berada di sekitar, sewaktu mengoperasikan perkakas listrik.** Gangguan dapat menyebabkan Anda kehilangan kendali.

2. Keselamatan Kerja Kelistrikan

- Steker perkakas listrik harus sesuai dengan. Jangan sekali-kali memodifikasi steker dengan cara apapun.** Jangan gunakan steker adaptor apapun dengan perkakas listrik yang dibumikan (grounded). Steker yang tidak dimodifikasi dan stopkontak yang sesuai akan mengurangi risiko sengatan listrik.
- Hindari kontak badan dengan permukaan yang dibumikan (grounded), seperti pipa, radiator, kompor dan kulkas.** Terdapat peningkatan risiko sengatan listrik jika tubuh Anda dibumikan atau terardekan.

- Jangan sampai perkakas listrik ini terkena hujan atau terpapar ke kondisi yang basah.** Air yang masuk ke perkakas listrik akan meningkatkan risiko sengatan listrik.
- Kabel jangan sampai salah pakai. Jangan sekali-kali menggunakan kabel untuk membawa, menarik atau mencabut perkakas listrik.** Jauhkan kabel dari panas, minyak, tepi tajam atau komponen yang bergerak. Kabel yang rusak atau terbelit meningkatkan risiko sengatan listrik.
- Bila mengoperasikan perkakas listrik di luar ruangan, gunakan kabel sambungan yang sesuai untuk penggunaan di luar ruangan.** Menggunakan kabel yang sesuai untuk penggunaan di luar ruangan akan mengurangi risiko sengatan listrik.
- Jika mengoperasikan perkakas daya di lokasi yang basah tidak dapat dihindarkan, gunakan suplai yang telah dilindungi oleh alat arus residual (Residual Current Device/RCD).** Penggunaan RCD mengurangi risiko sengatan listrik.

3. Keamanan pribadi

- Tetap waspada, perhatikan apa yang sedang Anda kerjakan dan gunakan logika ketika mengoperasikan peralatan listrik.** Jangan gunakan peralatan listrik bila Anda sedang lelah atau berada dibawah pengaruh obat, alkohol atau pengobatan. Kelengahan sesaat saja ketika mengoperasikan perkakas listrik dapat menyebabkan cedera diri yang parah.
- Gunakan peralatan pelindung. Selalu kenakan alat pelindung mata.** Perengkapan, seperti masker debu, sepatu keselamatan anti selip, topi pengaman (hardhat), atau alat pelindung pendengaran yang digunakan dalam kondisi yang sesuai akan mengurangi cedera diri.
- Cegah penyalaan yang tidak disengaja. Pastikan sakelar berada di posisi off sebelum menyambung ke sumber daya dan/atau pak baterai, atau saat mengambil atau membawa alat.** Membawa perkakas listrik dengan jari Anda pada sakelar atau mengaktifkan perkakas listrik yang sedang dalam posisi menyala akan mengundang kecelakaan.
- Lepaskan semua kunci setelah atau kunci pas sebelum menghidupkan perkakas listrik.** Kunci pas atau kunci yang dibiarkan terpasang pada komponen perkakas listrik yang berputar dapat menyebabkan cedera diri.
- Jangan melampaui batas. Selalu jaga pijakan dan keseimbangan yang baik.** Hal ini memungkinkan Anda untuk mengendalikan perkakas listrik dengan lebih baik dalam situasi yang tidak terduga.
- Kenakan pakaian yang sesuai. Jangan mengenakan pakaian longgar atau perhiasan. Jauhkan rambut, pakaian dan sarung tangan dari komponen yang bergerak.** Pakaian yang longgar, perhiasan atau rambut panjang dapat terperangkap dalam komponen yang bergerak.
- Jika alat dilengkapi untuk sambungan fasilitas pengeluaran dan pengumpulan debu, pastikan perangkat ini dihubungkan dan digunakan dengan sesuai.** Penggunaan alat pengumpul dapat mengurangi bahaya yang disebabkan oleh debu.

4. Penggunaan dan pemeliharaan perkakas listrik

- Jangan menggunakan perkakas listrik secara paksa. Gunakan perkakas listrik yang benar untuk aplikasi Anda.** Perkakas listrik yang tepat akan bekerja lebih baik dan aman pada tingkat kelajuan yang telah dirancang untuk perkakas itu.

- b. **Jangan gunakan perkakas listrik ini jika tidak dapat menghidupkan dan mematikan perkakas.** Perkakas listrik apapun yang tidak dapat dikendalikan dengan adalah berbahaya dan harus diperbaiki.
- c. **Cabut steker dari sumber daya dan/atau kemasan baterai dari perkakas daya sebelum melakukan penyetelan apapun, mengubah aksesoris, atau menyimpan perkakas.** Tindakan pencegahan demi keselamatan tersebut mengurangi risiko menjalankan perkakas listrik secara tak sengaja.
- d. **Simpan perkakas listrik yang tidak digunakan jauh dari jangkauan anak-anak, dan jangan membolehkan orang yang tidak memahami perkakas listrik atau petunjuk ini untuk mengoperasikannya.** Perkakas listrik bisa berbahaya bila digunakan oleh pengguna yang tidak terlatih.
- e. **Rawat perkakas listrik. Lakukan pemeriksaan untuk mengetahui apakah ada komponen bergerak yang salah atau bengkok, komponen yang patah, dan kondisi lainnya yang dapat mempengaruhi pengoperasian perkakas listrik. Jika rusak, perbaiki dahulu perkakas listrik sebelum digunakan.** Banyak terjadi kecelakaan disebabkan oleh perkakas listrik yang tidak terawat baik.
- f. **Jaga ketajaman dan kebersihan alat pemotong.** Memelihara perkakas pemotong secara benar akan mengurangi kesalahan dan lebih mudah dikontrol.
- g. **Gunakan perkakas listrik, aksesoris dan bit perkakas lainnya untuk menyesuaikan dengan instruksi ini, perhatikan kondisi kerja dan kerja yang akan dilakukan.** Menggunakan perkakas listrik untuk pengoperasian yang berbeda dengan yang dimaksudkan akan mengakibatkan situasi yang membahayakan.
5. **Penggunaan dan pemeliharaan perkakas bertenaga baterai**
- a. **Isi ulang daya baterai dengan pengisi daya yang ditetapkan oleh pabrik.** Sebuah alat isi ulang yang sesuai dengan salah satu tipe kemasan baterai bisa menciptakan risiko saat digunakan dengan kemasan baterai yang lain.
- b. **Gunakan perkakas listrik hanya dengan kemasan baterai yang dirancang khusus untuknya.** Penggunaan kemasan baterai lainnya bisa menimbulkan risiko cedera dan kebakaran.
- c. **Pada saat kemasan baterai tidak dipakai, jauhkan kemasan baterai dari benda logam, seperti klip penjepit kertas, koin, kunci, paku, sekrup, atau benda logam kecil lainnya yang dapat membuat hubungan dari satu terminal dengan terminal lainnya.** Memendekkan terminal baterai bisa mengakibatkan luka bakar atau kebakaran.
- d. **Dengan pemakaian yang salah, bisa menyebabkan keluarnya cairan dari baterai; hindari kontak. Jika tidak sengaja terjadi kontak, bilas dengan air. Jika cairan mengenai mata, cari bantuan medis juga.** Cairan yang keluar dari baterai bisa menyebabkan iritasi atau luka bakar.
6. **Servis**
- a. **Perkakas listrik Anda sebaiknya diservis oleh teknisi yang terqualifikasi dan hanya menggunakan komponen pengganti yang persis sama.** Ini akan memastikan bahwa keamanan perkakas listrik tersebut dipelihara.

TAMBAHAN PERINGATAN KEAMANAN PERKAKAS LISTRIK



Peringatan! Tambahkan peringatan keamanan untuk obeng dan kunci inggris

- **Pegang perkakas listrik di bagian permukaan pegangan yang terinsulasi saat melakukan operasi dimana alat pengencang berhubungan dengan perkabelan tersembunyi atau dengan kawat kabelnya sendiri.** Alat pengencang yang mengenai kabel bisa membuat bagian logam yang terbuka dari perkakas listrik yang menyetrum operator.
- **kenakan pelindung telinga saat menggunakan fungsi kunci inggris bertekanan.** Pemaparan terhadap bising bisa mengakibatkan kerusakan pendengaran.
- **Gunakan bantu yang disediakan dengan perkakas tersebut.** Kehilangan kendali dapat menyebabkan cedera pribadi.
- **Gunakan klem atau cara praktis lainnya untuk mengamankan dan menyokong peralatan kerja di yang stabil.** Menahan kerja dengan tangan atau tubuh Anda membuatnya tidak stabil dan bisa membuat kehilangan kontrol.
- **Sebelum menjalankan alat pengencang ke dinding, lantai atau langit-langit, periksa dulu lokasi perkabelan dan pipa.**
- **Perkakas ini tidak dimaksudkan untuk digunakan oleh orang (termasuk anak-anak) yang memiliki kekurangan fisik, sensori atau kemampuan mental, atau kurang pengalaman dan pengetahuan, kecuali mereka telah diberikan supervisi atau instruksi terkait penggunaan peralatan tersebut oleh orang yang bertanggungjawab atas keselamatan mereka.** Anak-anak harus diawasi untuk memastikan bahwa mereka tidak bermain-main dengan peralatan ini.
- **Maksud penggunaan tersebut digambarkan dalam buku panduan instruksi ini.**
- **Penggunaan aksesoris atau atau penggunaan operasi apapun dengan perkakas ini selain dari yang direkomendasikan dalam buku petunjuk instruksi ini bisa cedera pribadi dan/atau kerusakan properti.**

LABEL PADA PERKAKAS

Piktogram di bawah ini ditampilkan pada perkakas tersebut:



Peringatan! Untuk mengurangi risiko cedera, pengguna harus membaca buku petunjuk instruksi.

TAMBAHAN INSTRUKSI KEAMANAN UNTUK BATERAI DAN ALAT PENGISI DAYA

BATERAI

- **Jangan mencoba untuk membuka alasan apapun.**
- **Jangan memaparkan baterai ke air.**
- **Jangan memaparkan baterai ke panas.**
- **Jangan simpan di lokasi dimana suhu bisa melebihi 40 °C.**
- **Isi ulang hanya pada suhu ruangan antara 10 °C dan 40 °C.**
- **Isi ulang hanya dengan menggunakan alat pengisi daya yang disediakan dengan peralatan/perkakas tersebut.**
- **Saat membuang baterai, ikuti instruksi yang diberikan dalam bagian "Melindungi lingkungan".**

ALAT PENGISI DAYA

- Gunakan alat pengisi daya Black & Decker Anda hanya untuk mengisi ulang baterai yang ada di dalam perkakas yang disertakan bersamanya. Baterai lainnya bisa meledak, mengakibatkan cedera pribadi dan kerusakan.
- Jangan pernah mencoba mengisi ulang baterai yang tidak dapat diisi ulang.
- Gantilah kawat kabel yang cacat dengan segera.
- Jangan memaparkan alat pengisi daya ke air.
- Jangan membuka alat pengisi daya.
- Jangan memeriksa alat pengisi daya.



Alat pengisi daya ini ditujukan hanya untuk penggunaan di dalam ruangan.



Baca buku petunjuk instruksi sebelum menggunakannya.



Alat pengisi daya secara otomatis mati jika suhu ruangan menjadi terlalu tinggi. Segera setelah suhu ruangan mendingin, alat pengisi daya akan menghentikan operasi.



Isi ulang hanya pada suhu ruangan antara 10 °C dan 40 °C.



Mengisi ulang

KEAMANAN LISTRIK



Alat pengisi daya Anda berisolasi ganda; oleh sebab itu tidak diperlukan kabel arde (ground). Selalu periksa apakah voltase. Jangan mencoba untuk mengganti alat pengisi daya dengan utama biasa.

- Jika kabel listrik rusak, itu harus diganti oleh pabrik pembuatnya atau oleh Pusat Servis Black & Decker resmi untuk menghindari bahaya.

Peringatan! Jangan mencoba untuk mengganti unit alat pengisi daya dengan utama biasa.

FITUR

1. Tombol on/off
2. Penggeser maju/mundur
3. Pemegang Bit
4. Lampu LED
7. Konektor alat pengisi daya

GBR. A

5. Charger
6. Steker alat pengisi daya

PERAKITAN

MEMASANG DAN MELEPASKAN BIT BOR ATAU BIT OBENG (gbr. B)

Perkakas ini menggunakan bit obeng dan bit bor dengan heksagonal 6,35 mm (1/4").

- Untuk memasang bit, masukkan bit shaft ke dalam bit (3).
- Untuk melepaskan bit, tarik bit shaft ke luar dari bit (3).

PENGGUNAAN

- Sebelum penggunaan pertama, baterai harus diisi selama sedikitnya 12 jam.
- Baterai tersebut perlu diisi sebelum penggunaan pertama kali dan kapanpun baterai tersebut gagal memberikan daya yang cukup untuk melakukan pekerjaan yang dapat dengan mudah dilakukan sebelumnya. Saat mengisi baterai untuk pertama kalinya, atau setelah penyimpanan jangka panjang, baterai tersebut hanya menerima 80% daya. Setelah beberapa kali siklus pengisian dan pengeluaran, baterai akan mencapai kapasitas penuhnya.

MENGISI BATERAI (GBR. C)

- Untuk baterai, masukkan steker alat pengisi daya (6) ke dalam konektor alat pengisi daya (7).
- Masukkan alat pengisi daya (5).
- Biarkan perkakas tersebut tersambung dengan alat pengisi daya selama 16 jam. Alat pengisi daya bisa berdengung dan menjadi hangat saat diisi ulang; hal ini adalah normal dan tidak mengindikasikan adanya masalah.

Peringatan! Jangan mengisi ulang baterai pada suhu ruangan di bawah 10 °C atau di atas 40 °C.

MEMILIH ARAH ROTASI (GBR. D)

Untuk mengebor atau mengencangkan sekrup, gunakan rotasi maju. Untuk mengendurkan sekrup atau melepaskan bit bor yang macet, gunakan rotasi mundur.

- Untuk memilih rotasi maju, dorong penggeser maju/mundur (2) ke posisi depan.
- Untuk memilih rotasi mundur, dorong penggeser maju/mundur (2) ke posisi belakang.
- Untuk mengunci perkakas tersebut, atur penggeser maju/mundur ke posisi tengah.

MENGEBOR/MEMASANG SEKRUP

- Pilih rotasi maju atau mundur menggunakan penggeser maju/mundur (2).
- Untuk menyalakan perkakas tersebut, tekan sakelar on/off (1).
- Untuk mematikan perkakas tersebut, lepaskan sakelar on/off (1).

LAMPU LED

Lampu LED (4) diaktifkan secara otomatis saat alat pemacu ditekan. Lampu LED juga akan bercahaya saat pemacu ditekan dan penggeser maju/mundur (2) dalam posisi terkunci mati (posisi tengah).

Petunjuk untuk penggunaan optimal MEMASANG SEKRUP

- Biarkan perkakas tersebut bekerja dengan kecepatannya sendiri. Jangan dibebani berlebihan.
- Selalu gunakan tipe dan ukuran bit obeng yang tepat.

- Jika sekrup sulit dikencangkan, coba memberikan sedikit cairan pencuci atau sabun sebagai pelumasan.
- Gunakan kunci spindle untuk melonggarkan sekrup yang kencang atau untuk mengencangkan sekrup.
- Selalu pegang perkakas dan bit obeng dalam satu garis lurus dengan sekrup.
- Saat memasang sekrup pada kayu, direkomendasikan untuk mengobor lubang pemandu dulu dengan kedalaman sama dengan panjang sekrupnya. Sebuah lubang pemandu akan memandu sekrup tersebut dan mencegah menimbulkan serpihan atau distorsi kayu tersebut. Untuk ukuran optimum dari lubang pemandu, lihat pada tabel di bawah ini.
- Saat memasang sekrup di kayu keras, bor juga lubang dengan kedalaman yang sama dengan setengah dari panjang sekrup. Untuk ukuran optimum dari lubang, lihat pada tabel di bawah ini.

Ukuran sekrup	Lubang pemandu Ø (kayu lunak)	Lubang pemandu Ø (kayu keras)	Lubang
No. 6 (3,5 mm)	2,0 mm	2,5 mm	3,6 mm
No. 8 (4 mm)	2,5 mm	3,0 mm	4,5 mm
No. 10 (5 mm)	3,0 mm	3,5 mm	5,0 mm

MENGEBOR

- Selalu gunakan sedikit tekanan dalam arah garis lurus dengan bit bor.
- Sebelum ujung bor menembus lembar pekerjaan, kurangi tekanan pada perkakas tersebut.
- Gunakan blok kayu untuk menahan bagian belakang bidang kerja yang mungkin saja.
- Buat lekukan menggunakan punch tengah di bagian tengah lubang yang akan dibor sebelum memperbaiki akurasi.

PERAWATAN

Perkakas listrik Black & Decker Anda telah dirancang untuk beroperasi pada periode waktu yang lama dengan perawatan minimum. Pengoperasian yang memuaskan secara terus-menerus bergantung pada cara pemeliharaan yang layak dan pembersihan perkakas secara teratur.

Peringatan! Sebelum melakukan perawatan apapun terhadap perkakas, cabut baterai dari rumah. Cabut alat pengisi daya sebelum membersihkannya.

- Bersihkan celah ventilasi yang ada di dalam perkakas Anda menggunakan sikat lunak untuk kedua pekerjaan.
- Bersihkan secara teratur kerangka rumah tersebut dengan kain bersih basah.
- Jangan gunakan bahan pembersih yang abrasif atau yang berbasis larutan organik.
- Secara teratur buka chuck dan ketuklah untuk mengeluarkan debu dari interiornya.

Perkakas ini tidak dapat diservis oleh pengguna. Bawa perkakas itu ke agen perbaikan Black & Decker yang resmi untuk diservis. Alat pengisi daya Anda tidak membutuhkan perawatan apapun selain dari pembersihan berkala.

PENTING

Untuk memastikan KEAMANAN dan KETAHANAN UJI produk, perbaikan, perawatan dan penyetulan (selain dari yang terdaftar dalam buku panduan ini) sebaiknya dilakukan oleh pusat servis resmi atau yang terakreditasi lainnya, selalu gunakan suku

cadang pengganti yang identik. Unit mengandung yang tidak dapat diservis oleh pengguna.

PEMBERSIHAN

PERINGATAN: Tiup kotoran dan debu dari kerangka utama dengan udara kering sesering mungkin bilamana tampak kotoran menumpuk di dalam dan di sekeliling ventilasi udara. Kenakan pelindung mata yang disetujui dan masker debu yang disetujui saat melakukan prosedur ini.

PERINGATAN: Jangan menggunakan pelarut organik atau bahan kimia berbahaya lainnya untuk membersihkan bagian non logam yang ada di perkakas tersebut. Bahan kimia ini bisa memperlemah bahan yang digunakan di dalam suku cadang tersebut. Gunakan kain bersih yang dibasahi hanya oleh air dan sabun lunak. Jangan membiarkan ada cairan apapun yang masuk ke dalam perkakas tersebut; jangan mencelupkan suku cadang apapun dari perkakas tersebut ke dalam cairan.

INSTRUKSI PEMBERSIHAN ALAT PENGISI DAYA


PERINGATAN: Bahaya tersengat. Cabut alat pengisi daya dari sumber arus AC sebelum membersihkannya. Kotoran dan gemuk bisa dihapuskan dari bagian eksterior alat pengisi daya tersebut menggunakan kain bersih atau sikat non logam lunak lainnya. Jangan menggunakan air atau larutan pembersih lainnya.

AKSESORI


Kinerja perkakas Anda tergantung pada aksesoris yang digunakannya. Aksesoris Black & Decker dan Piranha adalah dibuat untuk standar kualitas tinggi dan dirancang untuk meningkatkan kinerja perkakas daya Anda. Dengan menggunakan aksesoris Black & Decker Anda akan mendapatkan kinerja terbaik dari perkakas Anda. Black & Decker menawarkan rangkaian pilihan aksesoris yang luas yang tersedia di dealer lokal atau di pusat layanan berwenang dengan biaya ekstra.

PERHATIAN: Penggunaan aksesoris lainnya yang tidak disarankan untuk penggunaan perkakas bisa berbahaya.

MELINDUNGI LINGKUNGAN

 Pengumpulan terpisah. Produk ini tidak boleh dibuang bersama limbah rumah tangga biasa.

Jika Anda mendapati pada suatu hari bahwa produk Black & Decker Anda perlu diganti, atau tidak lagi dapat Anda gunakan, jangan membuangnya dengan sampah rumah tangga lainnya. Pisahkan pengumpulan produk ini.

 Pisahkan pengumpulan produk dan kemasan bekas agar bahan-bahannya dapat didaur ulang dan digunakan lagi. Penggunaan kembali bahan yang didaur ulang membantu mencegah pencemaran lingkungan dan mengurangi kebutuhan bahan baku.

Jika perlu, hubungi kantor lingkungan untuk instruksi pembuangan yang layak di wilayah Anda.

BATERAI

Baterai Black & Decker dapat diisi ulang beberapa kali.

Pada akhir masa pakainya, buang baterai dengan memperhatikan lingkungan kita:

Pakai baterai sampai dayanya habis, dan kemudian lepaskan dari perkakasnya.

Baterai NiCd dan NiMH dapat didaur ulang. Bawa baterai bekas tersebut ke pusat daur ulang setempat.

INFORMASI SERVIS

Black & Decker menawarkan jaringan penuh dari lokasi layanan yang dimiliki perusahaan dan yang berwenang di seluruh Asia. Semua Pusat Layanan Black & Decker terdiri dari lebih staf terlatih untuk memberi pelanggan dengan layanan perkakas listrik yang efisien dan dipercaya. Kapanpun Anda membutuhkan nasehat teknis, perbaikan, atau penggantian suku cadang asli pabrik, hubungi lokasi Black & Decker terdekat Anda.

CATATAN

- Kebijakan Black & Decker's adalah salah satu peningkatan yang berkelanjutan pada produk kami, dan karenanya, kami berhak untuk mengubah spesifikasi produk tanpa pemberitahuan sebelumnya.
- Perlengkapan dan aksesoris standar bisa jadi beragam menurut negara.
- Spesifikasi produk mungkin berbeda menurut negara.
- Rangkaian produk lengkap mungkin tidak tersedia di semua negara. Hubungi Black & Decker setempat Anda untuk mengetahui rangkaian produk yang tersedia.