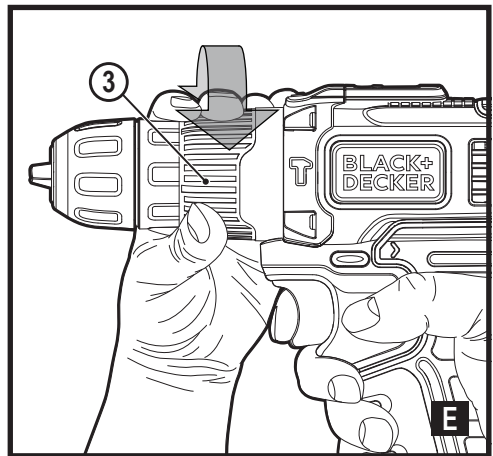
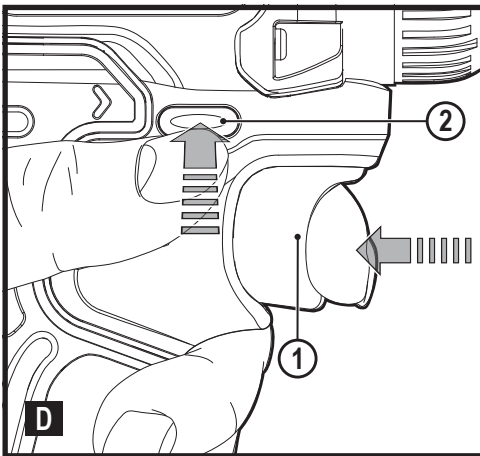
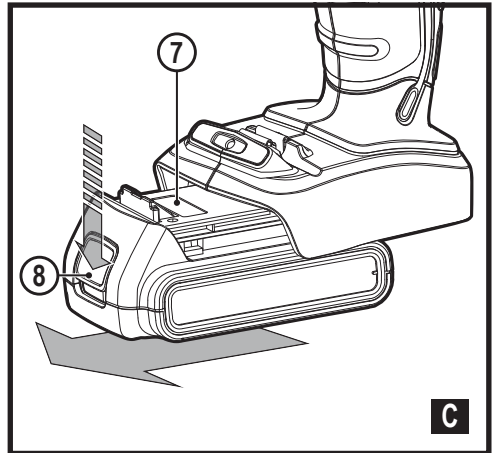
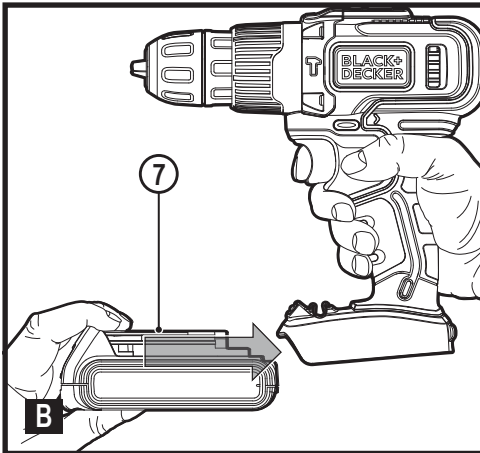
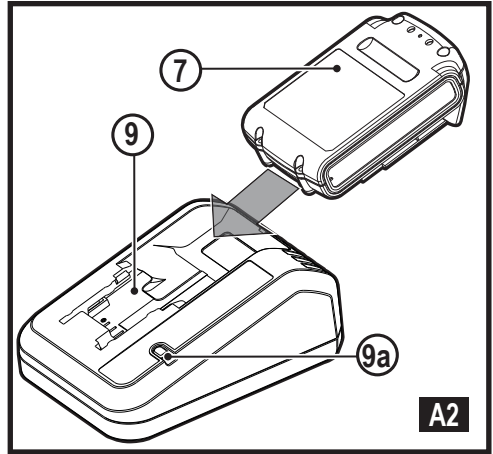
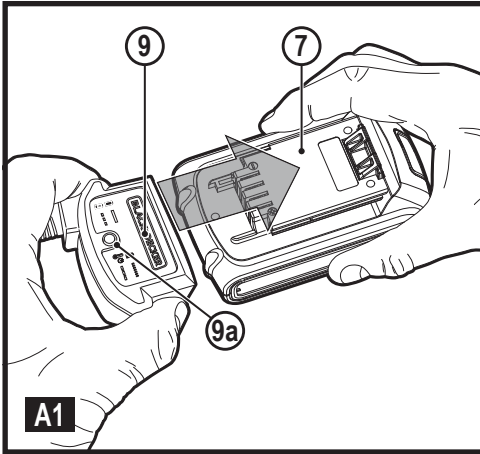
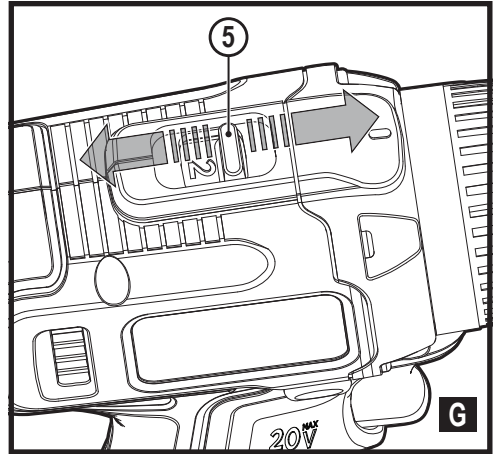
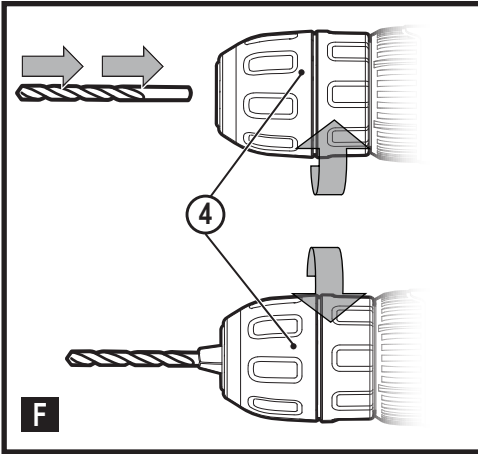


**BCD704A**

**English**  
简体中文  
繁體中文

**3**  
**10**  
**15**





**BCD704A  
IMPACT DRILL**

**Technical data**

BCD704A		
Voltage	$V_{DC}$	20
No-load speed	$Min^{-1}$	0 - 360/0 - 1400
Max. torque	Nm	45
Chuck capacity	mm	10
<b>Max Drilling capacity</b>		
Steel/wood/Masonry	mm	10/25/10
Weight	kg	0.9
Charger		
Input voltage	$V_{AC}$	220
Output voltage	$V_{DC}$	20
Current	mA	400
Approx. charge time	Hours	3 - 4
Battery		
BL1518**		
Voltage	$V_{DC}$	20
Capacity	Ah	1.5
Type		Li-Ion

**Intended use**

Your BLACK+DECKER BCD704A - Impact drill, has been designed for screwdriving applications and for drilling in wood, metal and masonry. This tool is intended for consumer use only.

**Safety instructions**

**General power tool safety warnings**



**Warning! Read all safety warnings and all instructions.** Failure to follow the warnings and instructions listed below may result in electric shock, fire and/or serious injury.

**Save all warnings and instructions for future reference.**

The term "power tool" in all of the warnings listed below refers to your mains operated (corded) power tool or battery operated (cordless) power tool.

- 1. Work area safety**
  - a. Keep work area clean and well lit.** Cluttered or dark areas invite accidents.
  - b. Do not operate power tools in explosive atmospheres, such as in the presence of flammable liquids, gases or dust.** Power tools create sparks which may ignite the dust or fumes.
  - c. Keep children and bystanders away while operating a power tool.** Distractions can cause you to lose control.
- 2. Electrical safety**
  - a. Power tool plugs must match the outlet. Never modify the plug in any way. Do not use any adapter plugs with earthed (grounded) power tools.** Unmodified plugs and matching outlets will reduce risk of electric shock.
  - b. Avoid body contact with earthed or grounded surfaces such as pipes, radiators, ranges and refrigerators.** There is an increased risk of electric shock if your body is earthed or grounded.
  - c. Do not expose power tools to rain or wet conditions.** Water entering a power tool will increase the risk of electric shock.

- d. **Do not abuse the cord. Never use the cord for carrying, pulling or unplugging the power tool. Keep cord away from heat, oil, sharp edges or moving parts.** Damaged or entangled cords increase the risk of electric shock.
  - e. **When operating a power tool outdoors, use an extension cord suitable for outdoor use.** Use of a cord suitable for outdoor use reduces the risk of electric shock.
  - f. **If operating a power tool in a damp location is unavoidable, use a residual current device (RCD) protected supply.** Use of an RCD reduces the risk of electric shock.
- 3. Personal safety**
- a. **Stay alert, watch what you are doing and use common sense when operating a power tool. Do not use a power tool while you are tired or under the influence of drugs, alcohol or medication.** A moment of inattention while operating power tools may result in serious personal injury.
  - b. **Use personal protective equipment. Always wear eye protection.** Protective equipment such as dust mask, non-skid safety shoes, hard hat, or hearing protection used for appropriate conditions will reduce personal injuries.
  - c. **Prevent unintentional starting. Ensure the switch is in the off-position before connecting to power source and/or battery pack, picking up or carrying the tool.** Carrying power tools with your finger on the switch or energising power tools that have the switch on invites accidents.
  - d. **Remove any adjusting key or wrench before turning the power tool on.** A wrench or a key left attached to a rotating part of the power tool may result in personal injury.
  - e. **Do not overreach. Keep proper footing and balance at all times.** This enables better control of the power tool in unexpected situations.
  - f. **Dress properly. Do not wear loose clothing or jewellery. Keep your hair, clothing and gloves away from moving parts.** Loose clothes, jewellery or long hair can be caught in moving parts.
  - g. **If devices are provided for the connection of dust extraction and collection facilities, ensure these are connected and properly used.** Use of dust collection can reduce dust-related hazards.
  - h. **Do not let familiarity gained from frequent use of tools allow you to become complacent and ignore tool safety principles.** A careless action can cause severe injury within a fraction of a second.
- 4. Power tool use and care**
- a. **Do not force the power tool. Use the correct power tool for your application.** The correct power tool will do the job better and safer at the rate for which it was designed.
  - b. **Do not use the power tool if the switch does not turn it on and off.** Any power tool that cannot be controlled with the switch is dangerous and must be repaired.
  - c. **Disconnect the plug from the power source and/or the battery pack from the power tool before making any adjustments, changing accessories, or storing power tools.** Such preventive safety measures reduce the risk of starting the power tool accidentally.
  - d. **Store idle power tools out of the reach of children and do not allow persons unfamiliar with the power tool or these instructions to operate the power tool.** Power tools are dangerous in the hands of untrained users.
  - e. **Maintain power tools. Check for misalignment or binding of moving parts, breakage of parts and any other condition that may affect the power tools operation.** If damaged, have the power tool repaired before use. Many accidents are caused by poorly maintained power tools.
  - f. **Keep cutting tools sharp and clean.** Properly maintained cutting tools with sharp cutting edges are less likely to bind and are easier to control.
  - g. **Use the power tool, accessories and tool bits etc. in accordance with these instructions, taking into account the working conditions and the work to be performed.** Use of the power tool for operations different from those intended could result in a hazardous situation.
  - h. **Keep handles and grasping surfaces dry, clean and free from oil and grease.** Slippery handles and grasping surfaces do not allow for safe handling and control of the tool in unexpected situations.
- 5. Battery tool use and care**
- a. **Recharge only with the charger specified by the manufacturer.** A charger that is suitable for one type of battery pack may create a risk of fire when used with another battery pack.
  - b. **Use power tools only with specifically designated battery packs.** Use of any other battery packs may create a risk of injury and fire.
  - c. **When battery pack is not in use, keep it away from other metal objects, like paper clips, coins, keys, nails, screws or other small metal objects, that can make a connection from one terminal to another.** Shorting the battery terminals together may cause burns or a fire.

- d. **Under abusive conditions, liquid may be ejected from the battery; avoid contact. If contact accidentally occurs, flush with water. If liquid contacts eyes, additionally seek medical help.** Liquid ejected from the battery may cause irritation or burns.
- e. **Do not use a battery pack or tool that is damaged or modified.** Damaged or modified batteries may exhibit unpredictable behaviour resulting in fire, explosion or risk of injury.
- f. **Do not expose a battery pack or tool to fire or excessive temperature.** Exposure to fire or temperature above 130 °C may cause explosion.
- g. **Follow all charging instructions and do not charge the battery pack or tool outside the temperature range specified in the instructions.** Charging improperly or at temperatures outside the specified range may damage the battery and increase the risk of fire.

## 6. Service

- a. **Have your power tool serviced by a qualified repair person using only identical replacement parts.** This will ensure that the safety of the power tool is maintained.
- b. **Never service damaged battery packs.** Service of battery packs should only be performed by the manufacturer or authorized service providers.

## Additional power tool safety warnings

### Drill safety warnings

#### 1. Safety instructions for all operations

- a. **Wear ear protectors when impact drilling.** Exposure to noise can cause hearing loss.
- b. **Use the auxiliary handle(s).** Loss of control can cause personal injury.
- c. **Brace the tool properly before use.** This tool produces a high output torque and without properly bracing the tool during operation, loss of control may occur resulting in personal injury.
- d. **Hold the power tool by insulated gripping surfaces, when performing an operation where the cutting accessory or fasteners may contact hidden wiring.** Cutting accessory contacting a "live" wire may make exposed metal parts of the power tool "live" and could give the operator an electric shock.

#### 2. Safety instructions when using long drill bits

- a. **Never operate at higher speed than the maximum speed rating of the drill bit.** At higher speeds, the bit is likely to bend if allowed to rotate freely without contacting the workpiece, resulting in personal injury.

- b. **Always start drilling at low speed and with the bit tip in contact with the workpiece.** At higher speeds, the bit is likely to bend if allowed to rotate freely without contacting the workpiece, resulting in personal injury.
- c. **Apply pressure only in direct line with the bit and do not apply excessive pressure.** Bits can bend causing breakage or loss of control, resulting in personal injury.

- ◆ **Use clamps or another practical way to secure and support the workpiece to a stable platform.** Holding the work by hand or against your body leaves it unstable and may lead to loss of control.
- ◆ Before drilling into walls, floors or ceilings, check for the location of wiring and pipes.
- ◆ Avoid touching the tip of a drill bit just after drilling, as it may be hot.
- ◆ The intended use is described in this instruction manual. The use of any accessory or attachment or performance of any operation with this tool other than those recommended in this instruction manual may present a risk of personal injury and/or damage to property.

## Safety of others

- ◆ This tool is not intended for use by persons (including children) with reduced physical, sensory or mental capabilities, or lack of experience and knowledge, unless they have been given supervision or instruction concerning use of the tool by a person responsible for their safety.
- ◆ Children should be supervised to ensure that they do not play with the appliance.

## Residual risks

Additional residual risks may arise when using the tool which may not be included in the enclosed safety warnings. These risks can arise from misuse, prolonged use etc.

Even with the application of the relevant safety regulations and the implementation of safety devices, certain residual risks can not be avoided. These include:

- ◆ Injuries caused by touching any rotating/moving parts.
- ◆ Injuries caused when changing any parts, blades or accessories.
- ◆ Injuries caused by prolonged use of a tool. When using any tool for prolonged periods ensure you take regular breaks.
- ◆ Impairment of hearing.
- ◆ Health hazards caused by breathing dust developed when using your tool (example:- working with wood, especially oak, beech and MDF.)

### Labels on tool

The following symbols are shown on the tool along with the date code:



**Warning!** To reduce the risk of injury, the user must read the instruction manual.



Wear ear protectors with impact drills. Exposure to noise can cause hearing loss.

### Additional safety instructions for batteries and chargers

#### Batteries

- ◆ Never attempt to open for any reason.
- ◆ Do not expose the battery to water.
- ◆ Do not store in locations where the temperature may exceed 40 °C.
- ◆ Charge only at ambient temperatures between 10 °C and 40 °C.
- ◆ Charge only using the charger provided with the tool.
- ◆ When disposing of batteries, follow the instructions given in the section "Protecting the environment".



Do not attempt to charge damaged batteries.

#### Chargers

- ◆ Use your BLACK+DECKER charger only to charge the battery supplied with the tool. Other batteries could burst, causing personal injury and damage.
- ◆ Never attempt to charge non-rechargeable batteries.
- ◆ Have defective cords replaced immediately.
- ◆ Do not expose the charger to water.
- ◆ Do not open the charger.
- ◆ Do not probe the charger.



The charger is intended for indoor use only.



Read the instruction manual before use.

#### Electrical safety



Your charger is double insulated; therefore no earth wire is required. Always check that the mains voltage corresponds to the voltage on the rating plate. Never attempt to replace the charger unit with a regular mains plug.

- ◆ If the supply cord is damaged, it must be replaced by the manufacturer or an authorised BLACK+DECKER Service Centre in order to avoid a hazard.

### Features

This tool includes some or all of the following features.

1. Variable speed switch
2. Forward/reverse slider
3. Torque adjustment collar
4. Keyless chuck
5. Dual range gearing
6. LED work light
7. Battery
8. Battery release button

### Assembly

#### Use

**Warning!** Let the tool work at its own pace. Do not overload.

#### Charging the battery (fig. A1, A2)

The battery needs to be charged before first use and whenever it fails to produce sufficient power on jobs that were easily done before. The battery may become warm while charging; this is normal and does not indicate a problem.

**Warning!** Do not charge the battery at ambient temperatures below 10 °C or above 40 °C. Recommended charging temperature: approx. 24 °C.



**Note: The charger will not charge a battery if the cell temperature is below approximately 10 °C or above 40 °C.**



**The battery should be left in the charger and the charger will begin to charge automatically when the cell temperature warms up or cools down.**

up or cools down.

- ◆ Plug the charger (9) into any standard 230 Volts 50 Hz electrical outlet.
- ◆ Slide the battery pack (7) into the charger as shown in fig. A1, A2.

The LED (9a) will flash indicating that the battery is being charged.

The completion of charge is indicated by the LED (9a) remaining on continuously. The pack is fully charged and may be used at this time or left on the charger.



**Warning!** fire Hazard. When removing the battery from the charger, be sure to unplug the charger from the outlet first, then remove the battery from the charger.

#### Charger diagnostics

This charger is designed to detect certain problems that can arise with the battery packs or the power source. Problems are indicated by one LED flashing in different patterns.



### Bad battery

The charger can detect a weak or damaged battery. The LED flashes in the pattern

indicated on the label. If you see this bad battery blink pattern, do not continue to charge the battery. Return it to a service center or a collection site for recycling.

### Hot/cold pack delay

When the charger detects a battery that is excessively hot or excessively cold, it automatically starts a Hot/Cold Pack Delay, suspending charging until the battery has normalized. After this happens, the charger automatically switches to the Pack Charging mode. This feature ensures maximum battery life. The light flashes in the pattern indicated on the label.

### Leaving the battery in the charger

The charger and battery pack can be left connected with the LED glowing indefinitely. The charger will keep the battery pack fresh and fully charged. This charger features an automatic tune-up mode which equals or balances the individual cells in the battery pack to allow it to function at peak capacity. Battery packs should be tuned up weekly or whenever the battery no longer delivers the same amount of work. To use the automatic tune-up mode, place the battery pack in the charger and leave it for at least 8 hours.

### Important charging notes

- ◆ Longest life and best performance can be obtained if the battery pack is charged when the air temperature is between 18 ° – 24 °C. DO NOT charge the battery pack in an air temperature below +4.5 °C, or above +40 °C. This is important and will prevent serious damage to the battery pack.
- ◆ The charger and battery pack may become warm to the touch while charging. This is a normal condition, and does not indicate a problem. To facilitate the cooling of the battery pack after use, avoid placing the charger or battery pack in a warm environment such as in a metal shed or an uninsulated trailer.
- ◆ If the battery pack does not charge properly:
  - ◆ Check operation of receptacle by plugging in a lamp or other appliance;
  - ◆ Check to see if receptacle is connected to a light switch which turns power off when you turn out the lights;
  - ◆ Move the charger and battery pack to a location where the surrounding air temperature is approximately 18 ° – 24 °C;
  - ◆ If charging problems persist, take the tool, battery pack and charger to your local service center.
- ◆ The battery pack should be recharged when it fails to produce sufficient power on jobs which were easily

done previously. DO NOT CONTINUE to use under these conditions. Follow the charging procedure. You may also charge a partially used pack whenever you desire with no adverse effect on the battery pack.

- ◆ Foreign materials of a conductive nature such as, but not limited to, grinding dust, metal chips, steel wool, aluminum foil, or any buildup of metallic particles should be kept away from charger cavities. Unplug the charger before attempting to clean.
- ◆ Do not freeze or immerse the charger in water or any other liquid.

### Installing and removing the battery pack from the tool (fig. B)

**Warning!** Make certain the lock-off button (2) is engaged to prevent switch actuation before removing or installing battery. To install battery pack:

- ◆ Insert battery pack (7) into tool, until an audible click is heard (fig. B)

### Removing the battery pack from the tool (fig. C)

- ◆ Depress the battery release button (8) as shown in (fig. C) and pull battery pack out of tool.

### Operating Instructions

#### Trigger switch & reversing button (fig. D)

- ◆ The drill is turned ON and OFF by pulling and releasing the trigger switch (1). The farther the trigger is depressed, the higher the speed of the drill.
- ◆ A forward/reverse control button (2) determines the direction of the tool and also serves as a lock off button.
- ◆ To select forward rotation, release the trigger switch and depress the forward/reverse control button to the left.
- ◆ To select reverse, depress the forward/reverse control button the opposite direction.

**Note:** The center position of the control button locks the tool in the off position. When changing the position of the control button, be sure the trigger is released.

#### Torque control (fig.E)

This tool is fitted with a torque adjustment collar (3) to select the operating mode and to set the torque for tightening screws. Large screws and hard workpiece materials require a higher torque setting than small screws and soft workpiece materials.

- ◆ For drilling in wood, metal and plastics, set the collar to the drilling position symbol
- ◆ For screwdriving, set the collar to the desired setting. If you do not yet know the appropriate setting, proceed as follows:
  - ◆ Set the collar to the lowest torque setting.



- ◆ Tighten the first screw.
- ◆ If the clutch ratchets before the desired result is achieved, increase the collar setting and continue tightening the screw. Repeat until you reach the correct setting. Use this setting for the remaining screws.

### Keyless chuck (fig. F)

**Warning!** Make certain the lock-off button (2) is engaged to prevent switch actuation before installing or removing accessories.

To insert a drill bit or other accessory:

- ◆ Grasp the rear half of the chuck (4) with one hand and use your other hand to rotate the front half in the counterclockwise direction, as viewed from the chuck end.
- ◆ Insert the bit or other accessory fully into the chuck, and tighten securely by holding the rear half of the chuck and rotating the front portion in the clockwise direction as viewed from the chuck end.

**Warning!** Do not attempt to tighten drill bits (or any other accessory) by gripping the front part of the chuck and turning the tool on. Damage to the chuck and personal injury may occur when changing accessories.

### Dual range gearing (Figure G)

The dual range feature of your drill allows you to shift gears for greater versatility. To select low speed, high torque setting (position 1), turn tool off and permit to stop. Slide gear shifter button (5) away from the chuck. To select the high speed, low torque setting (position 2), turn tool off and permit to stop. Slide gear shifter button towards the chuck.

**Note:** Do not change gears when tool is running. If you are having trouble changing gears, make sure that the dual range gear button is either completely pushed forward or completely pushed back.

### Drilling/screwdriving

- ◆ Select forward or reverse rotation using the forward/reverse slider (2).
- ◆ To switch the tool on, press the switch (1). The tool speed depends on how far you press the switch.
- ◆ To switch the tool off, release the switch.

### Hints for optimum use

#### Drilling

- ◆ Use sharp drill bits only.
- ◆ Support and secure work properly, as instructed in the Safety Instructions.

- ◆ Use appropriate and required safety equipment, as instructed in the Safety Instructions.
- ◆ Secure and maintain work area, as instructed in the Safety Instructions.
- ◆ Run the drill very slowly, using light pressure, until the hole is started enough to keep the drill bit from slipping out of it.
- ◆ Apply pressure in a straight line with the bit. Use enough pressure to keep the bit biting but not so much as to stall the motor or deflect the bit.
- ◆ Hold the drill firmly with two hands to control its twisting action.
- ◆ DO NOT CLICK THE TRIGGER OF A STALLED DRILL OFF AND ON IN AN ATTEMPT TO START IT. DAMAGE TO THE DRILL CAN RESULT.
- ◆ Minimize stalling on breakthrough by reducing pressure and slowly drilling through the last part of the hole.
- ◆ Keep the motor running while pulling the bit out of a drilled hole. This will help reduce jamming.
- ◆ Make sure switch turns drill on and off.

#### Drilling in wood

Holes in wood can be made with the same twist drill bits used for metal or with spade bits. These bits should be sharp and should be pulled out frequently when drilling to clear chips from the flutes.

#### Drilling in metal

Use a cutting lubricant when drilling metals. The exceptions are cast iron and brass which should be drilled dry. The cutting lubricants that work best are sulfurized cutting oil or lard oil.

#### Drilling in masonry

For drilling in masonry, set the collar (3) to the hammer drilling position by aligning the symbol with the marking. Slide the speed selector (5) towards the front of the tool (2nd gear).

#### Screwdriving

- ◆ Always use the correct type and size of screwdriver bit.
- ◆ If screws are difficult to tighten, try applying a small amount of washing liquid or soap as a lubricant.
- ◆ Always hold the tool and screwdriver bit in a straight line with the screw



## Troubleshooting

Problem	Possible cause	Possible solution
Unit will not start.	Battery pack not charged.	Check battery pack charging requirements
Battery pack will not charge.	Charger not plugged in. Surrounding air temperature too hot or too cold.	Plug charger into a working outlet. Move charger and battery pack to a surrounding air temperature of above 40 degrees F (45°C) or below 105 degrees F (+40.5°C)
Unit shuts off abruptly.	Battery pack has reached its maximum thermal limit. Out of charge. (To maximize the life of the battery pack it is designed to shutoff abruptly when the charge is depleted)	Allow battery pack to cool down. Place on charger and allow to charge.

## Maintenance

Your BLACK+DECKER tool has been designed to operate over a long period of time with a minimum of maintenance. Continuous satisfactory operation depends upon proper tool care and regular cleaning.

Your charger does not require any maintenance apart from regular cleaning.

**Warning!** Before performing any maintenance on the tool, remove the battery from the tool. Unplug the charger before cleaning it.

- ◆ Regularly clean the ventilation slots in your tool and charger using a soft brush or dry cloth.
- ◆ Regularly clean the motor housing using a damp cloth. Do not use any abrasive or solvent-based cleaner.
- ◆ Regularly open the chuck and tap it to remove any dust from the interior.

## Protecting the environment



Separate collection. Products and batteries marked with this symbol must not be disposed of with normal household waste.

Products and batteries contain materials that can be recovered or recycled, reducing demand for raw materials.

Please recycle electrical products and batteries according to local provisions. Further information is available at [www.2helpU.com](http://www.2helpU.com)

## Service Information

BLACK+DECKER offers a full network of company-owned and authorized service locations throughout Asia. All BLACK+DECKER Service Centers are staffed with trained personnel to provide customers with efficient and reliable product service.

Whether you need technical advice, repair, or genuine factory replacement parts, contact the BLACK+DECKER location nearest to you.

## Note

- ◆ BLACK+DECKER's policy is one of continuous improvement to our products and, as such, we reserve the right to change product specifications without prior notice.
- ◆ Standard equipment and accessories may vary by country.
- ◆ Product specifications may differ by country.
- ◆ Complete product range may not be available in all countries. Contact your local BLACK+DECKER dealers for range availability.

## BCD704A 冲击钻

### 技术参数

BCD704A		
电压	伏特 <sub>额定</sub>	20 Max
空载转速	转/分	0 - 360/0 - 1400
最大扭矩	牛米	45
夹头尺寸	毫米	10
最大钻孔能力		
钢材/木材/砖石	毫米	10/25/10
重量	千克	0.9
充电器		
输入电压	伏特 <sub>交流</sub>	220
输出电压	伏特 <sub>额定</sub>	8-20
电流	毫安	400
大约充电时间	小时	3 - 4
电池		
BL1518**		
电压	伏特 <sub>额定</sub>	20
电池容量	安时	1.5
类型		锂电

### 设计用途

您的 BLACK+DECKER BCD704A - 冲击钻设计用于螺丝安装以及在木材、钢材和砖石上钻孔。本工具仅供消费者使用。

### 安全说明

#### 电动工具通用安全警告



**警告!** 阅读随电动工具提供的所有安全警告、说明、图示和规定。不遵照以下所列说明会导致电击、着火和/或严重伤害。

保存所有警告和说明书以备查阅。

警告中的术语“电动工具”指市电驱动（有线）电动工具或电池驱动（无线）电动工具。

#### a) 工作场地的安全

- 1) 保持工作场地清洁和明亮。杂乱和黑暗的场地会引发事故。
- 2) 不要在易爆环境，如有易燃液体、气体或粉尘的环境下操作电动工具。电动工具产生的火花会点燃粉尘或气体。
- 3) 操作电动工具时，远离儿童和旁观者。注意力不集中会使你失去对工具的控制。

#### b) 电气安全

- 1) 电动工具插头必须与插座相配。绝不能以任何方式改装插头。需接地的电动工具不能使用任何转换插头。未经改装的插头和相配的插座将降低电击风险。
- 2) 避免人体接触接地表面，如管道、散热片和冰箱。如果你身体接触接地表面会增加电击风险。
- 3) 不得将电动工具暴露在雨中或潮湿环境中。水进入电动工具将增加电击风险。
- 4) 不得滥用软线。绝不能用软线搬运、拉动电动工具或拔出其插头。使软线远离热源、油、锐边或运动部件。受损或缠绕的软线会增加电击风险。
- 5) 当在户外使用电动工具时，使用适合户外使用的延长线。适合户外使用的电线将降低电击风险。
- 6) 如果无法避免在潮湿环境下操作电动工具，应使用带有剩余电流装置（RCD）保护的电源。RCD 的使用可降低电击风险。

#### c) 人身安全

- 1) 保持警觉，当操作电动工具时关注所从事的操作并保持清醒。当你感到疲倦，或在有药物、酒精或治疗反应时，不要操作电动工具。在操作电动工具时瞬间的疏忽会导致严重人身伤害。
- 2) 使用个人防护装置。始终佩戴护目镜。防护装置，诸如适当条件下使用防尘面具、防滑安全鞋、安全帽、听力防护等装置能减少人身伤害。
- 3) 防止意外启动。在连接电源和/或电池包、拿起或搬运工具前确保开关处于关断位置。手指放在开关上搬运工具或开关处于接通时通电会导致危险。
- 4) 在电动工具接通之前，拿掉所有调节钥匙或扳手。遗留在电动工具旋转零件上的扳手或钥匙会导致人身伤害。
- 5) 手不要过分伸展。时刻注意立足点和身体平衡。这样能在意外情况下能更好地控制住电动工具。
- 6) 着装适当。不要穿宽松衣服或佩戴饰品。让你的头发和衣服远离运动部件。宽松衣服、佩饰或长发可能会卷入运动部件。
- 7) 如果提供了与排屑、集尘设备连接用的装置，要确保其连接完好且使用得当。使用集尘装置可降低尘屑引起的危险。
- 8) 不要因为频繁使用工具而产生的熟悉感而掉以轻心，忽视工具的安全准则。某个粗心的动作可能在瞬间导致严重的伤害。

#### d) 电动工具使用和注意事项

- 1) 不要勉强使用电动工具，根据用途使用合适的电动工具。选用合适的按照额定值设计的电动工具会使你工作更有效、更安全。
- 2) 如果开关不能接通或关断电源，则不能使用该电动工具。不能通过开关来控制的电动工具是危险的且必须进行修理。
- 3) 在进行任何调节、更换附件或贮存电动工具之前，必须从电源上拔掉插头和/或卸下电池包（如可拆卸）。这种防护性的安全措施降低了电动工具意外启动的风险。

- 4) 将闲置不用的电动工具贮存在儿童所及范围之外，并且不允许不熟悉电动工具和不了解这些说明的人操作电动工具。电动工具在未经培训的使用者手中是危险的。
  - 5) 维护电动工具及其附件。检查运动部件是否调整到位或卡住，检查零件破损情况和影响电动工具运行的其他状况。如有损坏，应在使用前修理好电动工具。许多事故是由维护不良的电动工具引发的。
  - 6) 保持切削刀具锋利和清洁。维护良好地有锋利切削刃的刀具不易卡住而且容易控制。
  - 7) 按照使用说明书，并考虑作业条件和要进行的作业来选择电动工具、附件和工具的刀头等。将电动工具用于那些与其用途不符的操作可能会导致危险情况。
  - 8) 保持手柄和握持表面干燥、清洁，不得沾有油脂。在意外的情况下，湿滑的手柄不能保证握持的安全和对工具的控制。
- e) 电池式工具使用和注意事项：
- 1) 仅使用生产者规定的充电器充电。将适用于某种电池包的充电器用到其他电池包时可能会发生着火危险。
  - 2) 仅使用配有专用电池包的电动工具。使用其他电池包可能会产生伤害和着火危险。
  - 3) 当电池包不用时，将它远离其他金属物体，例如回形针、硬币、钥匙、钉子、螺钉或其他小金属物体，以防电池包一端与另一端连接。电池组端部短路可能会引起燃烧或着火。
  - 4) 在滥用条件下，液体可能会从电池组中溅出，应避免接触。如果意外碰到液体，用水冲洗。如果液体碰到了眼睛，还要寻求医疗帮助。从电池中溅出的液体可能会发生腐蚀或燃烧。
  - 5) 不要使用损坏或改装过的电池包或工具。损坏或改装过的电池组可能呈现无法预测的结果，导致着火、爆炸或伤害。
  - 6) 不要将电池包暴露于火或高温中。电池包暴露于火或高于130°C的高温中可能导致爆炸。
- f) 维修
- 1) 让专业维修人员使用相同的备件维修电动工具。这将保证所维修的电动工具的安全。
  - 2) 决不能维修损坏的电池包。电池包仅能由生产者或其授权的维修服务商进行维修。

### 电钻专用警告语：

当在钻削附件可能触及暗线的场合进行操作时，通过绝缘握持面握持工具。钻削附件碰到带电导线会使工具外露金属零件带电而使操作者遭受电击。

### 电动工具附加安全警告

#### 电钻的安全警告

1. 带耳罩进行冲击作业。暴露于噪声环境会导致失聪。
2. 使用辅助手柄。失控会导致人身伤害。
3. 工具使用前应得到适当支撑。由于工具输出转矩大，运行时没有适当支撑会失控导致人身伤害。
4. 当在钻削附件可能触及暗线的场合进行操作时，通过绝缘握持面握持工具。钻削附件碰到带电导线会使工具外露金属零件带电而使操作者遭受电击。

### 2. 使用长钻头的安全说明

- a. 切勿以高于钻头最大额定速度的速度运行。在较高的速度下，如果允许在不接触工件的情况下自由旋转，钻头可能会弯曲，从而导致人身伤害。
- b. 始终以低速进行钻孔，钻头尖端与工件保持接触。在较高的速度下，如果允许在不接触工件的情况下自由旋转，钻头可能会弯曲，从而导致人身伤害。
- c. 仅在与钻头直接对齐时施加压力，并且不施加过大的压力。钻头可能弯曲致破损或失控，从而导致人身伤害。

- ◆ 请使用夹具或采取其它可行的方法，把工件可靠地固定在稳定的平台上。手持或用身体顶住工件都是不稳定的，会导致操作失控。
- ◆ 在墙上、地板或天花板上钻孔之前，请检查电线和管道位置。
- ◆ 不要在钻孔后立刻碰触可能还带热的钻头尖端。
- ◆ 本使用手册描述了工具的设计用途。使用非本使用手册所建议的任何其他附件或配件，或者使用本工具执行非手册建议的任何其他操作，都可能存在人身伤害和/或财产损失的危险。

### 他人安全

- ◆ 本工具不适合体力、感觉或智力不足，或者缺乏经验及知识的人员（包括小孩）使用，除非负责他们安全的人员已经为他们提供关于使用此器具的监督或指示。
- ◆ 应看管好儿童，以确保他们不将此设备当做玩具来玩。

### 剩余风险

使用工具时，可能出现本安全警示之外的其他剩余风险。这些风险可能来自使用不当、使用时间过长等。

尽管遵守了相关的安全法规并采用了安全装备，某些剩余风险仍然是无法避免的。这些风险包括：

- ◆ 接触旋转/运动部件时所导致的伤害风险。
- ◆ 更换部件、锯片或配件时所导致的伤害风险。
- ◆ 长期使用工具所导致的伤害。长期使用工具时，请确保定时休息。
- ◆ 听力损伤。
- ◆ 吸入工具使用过程中产生的粉尘导致的健康危害（例如，锯切木材，特别是橡木、山毛榉和中密度纤维板时）。

### 工具上的标章

工具上显示下列符号和日期码：



**警告!** 为降低伤害风险，用户必须阅读使用手册。



使用冲击电钻时请佩戴听力保护器。暴露在噪声中会引起听力损伤。

## 电池和充电器的附加安全说明

### 电池

- ◆ 不论基于任何理由，都不要尝试打开电池。
- ◆ 请勿将电池暴露在水中。
- ◆ 不要将电池存放在温度可能超过 40°C 的地方。
- ◆ 只在环境温度介于 10°C 和 40°C 之间的情况下充电。
- ◆ 只能使用本工具随附的充电器为电池充电。
- ◆ 处理电池时，请遵循“保护环境”部分所提供的说明进行。



不要尝试对损坏的电池充电。

### 充电器

- ◆ 只能使用 BLACK+DECKER 充电器为工具随附的电池充电。其他电池可能会爆裂，导致人身伤害和损害。
- ◆ 切勿尝试为不可再充电的电池充电。
- ◆ 应立即更换有缺陷的电线。
- ◆ 请勿将充电器暴露在水中。
- ◆ 请勿打开充电器。
- ◆ 请勿刺破充电器。



充电器仅供室内使用。



使用前请阅读使用手册。

### 电气安全



本充电器为双重绝缘，因此无需接地线。请务必检查电源电压是否与铭牌上的电压一致。切勿尝试使用一般的电源插头替换充电器。

- ◆ 如果电源线损坏，必须让制造商或授权的 BLACK+DECKER 服务中心更换以避免发生危险。

## 部件名称

本工具包含如下部分或全部部件。

1. 变速开关
2. 正/反转滑块
3. 扭矩调节轴环
4. 无锁匙夹头
5. 双速换挡
6. LED 工作灯
7. 电池
8. 电池释放按钮

## 组装

### 使用

**警告!** 请让工具在自有速度下工作。请勿过载。

## 为电池充电 (图 A1, A2)

电池在首次使用之前，以及无法像从前一样对工作轻松提供足够的电量时，都需要充电。电池在充电时可能会变热；这是正常现象，而且并不表示出现问题。

**警告!** 请勿在环境温度低于 10°C 或高于 40°C 的情况下为电池充电。建议的充电温度为大约 24°C。



**注:** 若电池温度低于约 10°C 或高于 40°C，充电器将不会为电池充电。



电池应留在充电器内，充电器会在电池温度升高或降低到合适温度时自动开始充电。

- ◆ 将充电器 (9) 插入标准的 230 伏 50 赫兹电源插座。
- ◆ 将电池组 (7) 插入充电器，如图 A1, A2 所示。

LED 灯 (9a) 将会闪烁，表示电池正在充电。

LED 灯 (9a) 持续亮起，表示充电完成。此时电池组已完全充电，您可以使用电池组或将电池组留在充电器中。



**警告!** 火灾危险。断开电池与充电器的连接时，确保先从插座上拔下充电器插头，然后将电池从充电器中取出。

## 充电器故障诊断

本充电器能够检测电池组或电源可能出现的一些问题。LED 灯不同的闪烁模式表示出现不同的问题。



### 电池损坏

充电器可以检测电力不足或受损的电池。LED 灯按标签上所标示的模式闪烁。如果您看到电池损坏的闪烁模式，请不要继续为电池充电。请将电池送回维修中心或回收站进行回收。

## 热/冷电池延迟

当充电器检测到电池过热或过冷时，它会启动热/冷电池延迟模式，暂停充电，直到电池达到正常的温度。启动此模式后，充电器会自动切换到电池组充电模式。此功能可确保电池拥有最长的使用寿命。LED 灯按标签上所标示的模式闪烁。

## 将电池留在充电器中

充电器可以和电池组长期连接，此时 LED 指示灯常亮。充电器会让电池组保持电量充满的状态。充电器具有一个自动调整模式，可以均衡或平衡电池组中的单个电池，以允许其在峰值容量下工作。电池组应每周调整一次，或在电池组的工作效率降低时进行调整。如需使用自动调整模式，请将电池组放入充电器中并放置至少 8 个小时。

## 重要充电说明

- ◆ 电池组在空气温度介于 18°C - 24°C 之间的环境中充电，可以达到最长的电池组使用寿命和最佳效能。请勿在空气温度低于 +4.5°C 或高于 +40.5°C 的情况下为电池组充电。这很重要，可以防止电池组严重受损。

- ◆ 充电时，充电器和电池组表面温度可能升高。这是正常现象，并不表示出现异常问题。为便于在使用后冷却电池组，请避免将充电器或电池组放在温暖的环境中，例如金属棚或未绝缘的拖车中。
- ◆ 如果电池组没有正常充电：
  - ◆ 在插座中插入灯具或其它电器的插头，以检查插座是否能正常使用；
  - ◆ 检查插座是否与灯具开关相连接，如果连接，关闭灯具开关时会切断电源；
  - ◆ 将充电器和电池组移至周围空气温度大约为 18°-24°C 的位置；
  - ◆ 如果仍然存在充电问题，请将工具、电池组和充电器带到当地的服务中心。
- ◆ 若工具无法像从前一样为作业轻松提供足够的电量，应该对其充电。在这些情况下请勿继续使用。请遵循充电程序。您可以为已消耗部分电量的电池组充电，这不会对电池组造成不良影响。
- ◆ 请勿让能导电的异物靠近充电器腔，例如但不限于研磨粉尘、金属屑、钢丝绒、铝箔或任何金属颗粒堆积物，均应远离充电器腔。在试图清洁之前，请拔掉插头。
- ◆ 请勿冻结充电器或将充电器浸泡在水或任何其他液体中。

### 插入或取出工具上的电池组 (图 B)

**警告!** 安装或拆卸电池前，请确保锁定按钮 (2) 已闭合以避免开关启动。

安装电池组：

- ◆ 将电池组 (7) 插入工具直到听到咔嗒声 (图 B)

### 取出工具上的电池组 (图 C)

- ◆ 如图 C 所示，按下电池释放按钮 (8)，然后从工具中拉出电池组。

### 操作说明

#### 触发开关和反转按钮 (图 D)

- ◆ 电钻通过按下和松开触发开关 (1) 开启和关闭。触发开关按得越深，钻孔速度就越快。
- ◆ 正/反转控制按钮 (2) 可确定工具方向，并可作为锁定按钮使用。
- ◆ 若要选择正向旋转，请松开触发开关，然后将正/反转控制按钮拨到左边。
- ◆ 要选择反向旋转，请向相反方向按下正/反转控制按钮。

**注:** 控制按钮的中心位置会将工具锁定在关闭位置。改变控制按钮的位置时，请确保触发开关处于松开状态。

#### 扭矩控制 (图 E)

本工具配备用于选择操作模式以及设置扭矩以紧固螺钉的扭矩调节轴环 (3)。大螺丝和坚硬工件材料，比小螺丝和柔软工件材料需要更高的扭矩设置。

- ◆ 要在木材、金属和塑料上钻孔，可将轴环设置到钻孔位置符号处。
- ◆ 要执行螺旋操作，将轴环设定为所需设置。如果您尚不知道如何进行适当设置，请按照下列步骤操作：

- ◆ 将轴环设置到最低的扭矩设置。
- ◆ 拧紧第一个螺丝。
- ◆ 如果离合器在达到预期效果之前松脱，请增加轴环设置并继续拧紧螺丝。重复直到设置正确为止。对其余螺丝使用此设置。

#### 自紧式夹头 (图 F)

**警告!** 安装或拆卸附件前，请确保锁定按钮 (2) 已闭合以避免开关启动。

要插入钻头或其他附件：

- ◆ 以一只手握住夹头 (4) 的后半部并使用另一只手以逆时针方向 (从夹头末端看) 旋转前半部。
- ◆ 将钻头或其它配件完全插入夹头，握住夹头后半部并以顺时针方向 (从夹头末端看) 旋转前半部，如此便可牢固地将其扭紧。

**警告!** 不要尝试通过握住夹头前端和打开工具来拧紧钻头 (或任何其它配件)。更换附件时可能会导致夹头损坏和人身伤害。

#### 双速换档 (图 G)

电钻的双档功能可换档以获得更大的适用性。若要选择低速高扭矩设置 (位置 1)，请关闭工具并让它停止转动。将换档器按钮 (5) 滑离夹头。若要选择高速低扭矩设置 (位置 2)，请关闭工具并让它停止转动。将换档器按钮滑回夹头处。

**注:** 工具运行时切勿换档。如果无法换档，请确保双速换档按钮已完全向前推动或完全向后推动。

#### 钻孔/螺丝安装

- ◆ 使用正/反转滑块，选择向前或后旋转 (2)。
- ◆ 如需打开工具，请按开关 (1)。工具转速取决于按压开关的程度。
- ◆ 如需关闭工具，请松开开关。

#### 最佳使用提示

##### 钻孔

- ◆ 请只使用锋利的钻头。
- ◆ 依照安全指示适当地支撑和固定工件。
- ◆ 依照安全指示使用适当、必要的安全设备。
- ◆ 依照安全指示固定和维护工作区域。
- ◆ 让电钻缓慢运转，轻轻施压，直到钻头不会从所钻的洞中滑出为止。
- ◆ 用力方向需与钻头呈直线。请施加足够大的压力，保证钻头钻进所需，但不要大到马达失速或钻头倾斜。
- ◆ 请双手紧握电钻，控制电钻的扭转动作。
- ◆ 请勿试图通过按下、松开触发开关来启动失速的电钻。否则会损坏电钻。
- ◆ 减轻压力并慢慢钻过洞的底部，以便将失速穿透的可能性降至最低。
- ◆ 从成孔中拉出钻头时，请保持马达运转。这样有助于避免钻头卡住。
- ◆ 确保开关可以将电钻启动和关闭。

## 在木材上钻孔

木材钻孔可以使用和钢材钻孔一样的麻花钻头或扁钻头。钻头应锋利，且在钻孔时应经常拔出钻头来清理钻屑。

## 在金属材料上钻孔

在金属上钻孔时，请使用切削润滑剂。但铸铁和黄铜材料例外，应干钻。效果最佳的切削润滑剂是硫化切削油或猪油。

## 在砖石材料上钻孔

如要在砖石材料上钻孔，可通过对齐符号和标记，将轴环 (3) 设置到锤钻位置。请将转速选择器 (5) 尽量向工具前方滑动 (2 档)。

## 螺丝安装

- ◆ 始终使用正确类型和尺寸的螺丝起子头。
- ◆ 如果螺丝难以转紧，请尝试用小量洗涤剂或肥皂作为润滑剂。
- ◆ 工具必须始终与螺丝起子头和螺丝成一直线。

## 故障排除

问题	可能原因	可能的解决方案
设备不启动。	电池组没有充电。	检查电池组是否需要充电。
电池组无法充电。	充电器未插电。 周围空气温度太高或太低。	将充电器插入正常工作的插座。 将充电器和电池组移至周围空气温度高于 40°F (45°C) 或低于 105°F (+40.5°C) 的地方。
装置突然关闭。	电池组已经达到最大热界限。 电池耗尽。(为了确保电池组的使用寿命最大化,装置会在电池耗尽时突然关闭。)	等待电池组冷却。 将电池组放在充电器上充电。

## 维护

BLACK+DECKER 工具设计精良，可以长期使用，仅需极少维护。要连续获得令人满意的工作效果，需要进行合适的工具维护和定期清洁。

除了定期清洁外，本充电器无需其他保养。

**警告!** 对工具执行维护之前，请取出工具内的电池。清洁之前，先拔下充电器插头。

- ◆ 请使用软刷或干布定期清洁工具和充电器内的通风槽。
- ◆ 定期使用湿布清洁电机外壳。  
请不要使用任何研磨性或基于溶剂的清洁剂。
- ◆ 定期打开夹头并轻敲以去除内部的任何粉尘。

## 保护环境



分类回收。由此符号标记的产品与电池不得与普通家庭垃圾一起处理。

产品和电池包含可恢复或回收的材料，从而降低对原材料的需求。请根据当地供给回收电子产品和电池。要获得更多信息，请参看 [www.2helpU.com](http://www.2helpU.com)。

## 服务信息

BLACK+DECKER 提供覆盖整个亚洲的公司隶属和授权服务地点。所有的 BLACK+DECKER 服务中心都具有训练有素的人员，为客户提供高效和可靠的产品服务。不论您是需要技术建议、维修或原厂替换部件，请联系最靠近您的 BLACK+DECKER 地点。

## 备注

- ◆ BLACK+DECKER 的政策是持续改进我们的产品，因此，我们保留随时更改产品规格的权利，恕不另行通知。
- ◆ 标准设备和附件可能会因国家(地区)而异。
- ◆ 不同国家(地区)的产品规格也可能会有所不同。
- ◆ 并非所有的国家(地区)都可提供完整的产品系列。有关各产品系列的供货情况，请联系您当地的 BLACK+DECKER 代理商。

制造商: 史丹利百得精密制造(深圳)有限公司

地址: 广东省深圳市宝安区石岩街道水田社区捷和工业城

产地: 中国深圳



## BCD704A 鋰電震動電鑽

### 技術資料

BCD704A		
電壓	伏特 <sub>直流</sub>	20
空載轉速	轉/分	0 - 360/0 - 1400
最大扭矩	Nm	45
夾頭尺寸	公釐	10
最大鑽孔效能		
鋼材/木材/石材	公釐	10/25/10
重量	kg	0.9
充電器		
輸入電壓	伏特 <sub>交流</sub>	220
輸出電壓	伏特 <sub>直流</sub>	20
電流	毫安	400
大約充電時間	小時	3-4
電池		
BL1518**		
電壓	伏特 <sub>直流</sub>	20
容量	安時	1.5
類型	鋰離子	

請注意! 各地區上市產品/配件不盡相同, 請依台灣繁體中文說明書的內容為主。

Warning! Attachments and accessories are not the same in each region, please only refer to Taiwan Traditional Chinese description in this manual.

### 設計用途

您的 BLACK+DECKER BCD704A 鋰電震動電鑽設計用於螺旋應用以及在木材、金屬及石材上鑽孔。本工具僅供一般消費者 DIY 家庭使用, 營業使用者不適用百得一年保修條款。

### 安全說明

#### 電動工具一般安全警告



**警告!** 請閱讀安全警告及所有指示。不遵循下列的這些警告和指示可能會導致觸電、火災及/或嚴重傷害。

請保存所有警告與指示以備將來查閱。以下列示所有警告中的術語「電動工具」是指電源驅動(插電)電動工具或電池驅動(充電)電動工具。

#### 1. 工作場地安全

- 請保持工作場地清潔明亮。混亂或黑暗的場地會引發事故。
- 請勿在易爆環境, 如有易燃液體、氣體或粉塵的環境中操作電動工具。電動工具產生的火花可能會引燃粉塵或煙霧。
- 請等待兒童和旁觀者離開之後才操縱電動工具。分心會導致您疏忽於控制。

#### 2. 電氣安全

- 電動工具插頭必須與插座相符。切勿以任何方式改裝插頭。需接地的電動工具不能使用任何配接器插頭。使用未經改裝的插頭與相符的插座可降低觸電風險。
- 避免人體接觸接地表面, 如管道、散熱片、爐灶和冰箱。若您的身體接地, 會提高觸電的風險。
- 不得將電動工具暴露雨中或潮濕環境中。水進入電動工具會提高觸電風險。
- 切勿濫用電線。請勿使用電線來搬運、拉動電動工具或拔出插頭。讓電線遠離熱、油、銳邊和活動部件。受損或纏繞的電線會增加觸電危險。
- 若要在戶外使用電動工具, 請使用適合戶外使用的延長電線。採用適合室外使用的電線可降低觸電危險。
- 若必須在潮濕環境中操作電動工具, 請使用受漏電保護器(RCD) 保護的電源供應器。使用 RCD 可降低觸電風險。

#### 3. 人身安全

- 保持警覺; 在操作電動工具時, 請留意所執行的操作並按照一般的程式執行。請勿在疲倦或在受到毒品、酒精或藥品的影響時使用電動工具。操作電動工具時, 一時的注意力分散可能會導致嚴重人身傷害。
- 使用個人防護裝置。始終佩戴護目裝置。防護設備(例如在適當條件下使用的防塵面具、防滑安全鞋、安全帽或聽力保護裝置)可減少人身傷害。
- 避免意外啟動。連接電源及/或電池組、舉抬或搬運電動工具之前, 請確定開關處於關閉位置。若搬運電動工具時將手指放在開關上, 或者在電動工具開關開啟時將插頭插入電源插座, 這兩種行為都會引發事故。
- 啟動電動工具之前, 請卸下所有的調整鑰匙或扳手。遺留在電動工具旋轉部件上的扳手或鑰匙會導致人身傷害。
- 不要過度伸張雙手。時刻注意腳下與身體的平衡。如此可在意外情況下更好地控制電動工具。
- 適當穿著。請勿穿寬鬆衣服或佩戴飾品。讓您的頭髮、衣服和手套遠離活動部件。寬鬆衣服、佩飾或長髮可能會捲入活動部件中。
- 若配備用於連接排屑裝置、集塵設備的裝置, 請確定正確連接和使用這些裝置。使用集塵設備可減少與粉塵有關的危險。
- 請勿因頻繁使用而對工具特別熟悉, 讓你變得自滿而忽略工具的安全原則。粗心操作可以在片刻間造成嚴重傷害。



#### 4. 電動工具的使用與注意事項

- a. 請勿超負荷使用電動工具。請根據您的應用使用正確的電動工具。若使用的電動工具正確無誤，該工具能以設計額定值更有效、更安全地執行工作。
- b. 若開關不能開啟或關閉電源，切勿使用該電動工具。若開關無法控制電動工具，則電動工具存在危險，必須予以維修。
- c. 在執行任何調整、更換配件或儲存工具之前，必須從電源上拔掉插頭及/或卸下電池組。此類防護性安全措施可降低電動工具意外啟動的風險。
- d. 將閒置的電動工具儲存在兒童無法接觸的地方，並且不要讓不熟悉電動工具或對這些使用指示不瞭解的人員操作電動工具。未經訓練的使用者操作電動工具會發生危險。
- e. 維護電動工具。檢查活動部件是否對準或卡住，是否存在任何破損情況，或任何能影響電動工具運行的其他情況。若有損毀，必須在使用之前修理電動工具。許多事故都是由於電動工具欠缺維護所導致。
- f. 保持切削工具鋒利和清潔。妥善維護、刀刃鋒利的刀具卡住的可能性更低，更易於控制。
- g. 使用電動工具、配件和工具刀頭等時，請遵循這些指示使用，且指示須包含工作環境和所要執行工作的注意事項。若使用電動工具執行與設計用途不相符的操作，會導致危險。
- h. 手柄和抓握表面都應保持乾燥、清潔及遠離油脂。光滑手柄和抓握表面不便於在意外情況下安全處理與控制。

#### 5. 電池工具的使用與注意事項

- a. 只能使用製造廠商指定的充電器為電池充電。使用僅適合一種電池組的充電器為其他類型的電池組充電會導致火災危險。
- b. 請使用原廠的電動工具電池組。使用其他非原廠的電池組會導致人身傷害和火災危險。
- c. 不使用電池組時，請將其遠離如迴紋針、硬幣、鑰匙、釘子、螺絲以及其他可連通電池兩極的金屬物品。將電池兩極短路會導致灼傷或火災。
- d. 濫用電池的情況下，液體會從電池中噴出；避免與液體接觸。若不小心接觸液體，請用清水沖洗。若液體噴濺到眼睛上，沖洗之後還要進行治療。從電池噴出的液體會刺激皮膚或造成灼傷。
- e. 請勿使用已經損壞或改動的電池組或工具。損壞或改動的電池可能表現出不可預計的行為，導致火災、爆炸或傷害風險。
- f. 請勿讓電池組或工具暴露於火中或過高溫度的環境中。暴露於火中或溫度超過 130°C 的環境中可能導致爆炸。
- g. 請遵循所有充電說明，請勿在說明中規定的溫度範圍以外的環境對電池組或工具充電。不當或在指定範圍以外的溫度下充電，可能導致電池損壞並增加火災風險。

#### 6. 檢修

- a. 電動工具之修理，僅可由認證的技術人員執行。請勿交由非百得認證服務中心的技術人員進行修理、維護、調整。若產品經由非百得認證的維修工程師拆解、組裝、調整，恕無法適用百得一年家用保修條款。為充份發揮其功能，修理、維護、調整請務必使用原廠零件。百得認證服務中心擁有保修條款解釋權。
- b. 切勿維修損毀的電池組。電池組的維修僅應由製造商或授權服務提供商執行。

### 電動工具之附加安全警告

#### 電鑽之安全警告

##### 1. 所有操作之安全指示

- a. 請在使用震動電鑽時佩戴聽力保護器。噪音會使聽力受損。
- b. 請使用輔助手柄。工具失控會導致人身傷害。
- c. 使用前，請先正確地支撐工具。此工具會產生高輸出扭矩，如果沒有在操作過程中正確支撐工具，可能會引發失控並導致人身傷害。
- d. 若在執行操作時切削配件或緊固件可能會接觸隱藏的電線，請從絕緣手柄表面握住電動工具。若切削配件接觸到「帶電」導線，電動工具金屬部件表面就會「帶電」，從而導致操作人員觸電。

##### 2. 長鑽頭之附加安全指示

- a. 切勿以高於鑽頭最大額定速度的速度運行。在較高的速度下，如果鑽頭在不接觸工件的情況下自由旋轉，則可能會彎曲，進而導致人身傷害。
- b. 務必以低速開始鑽孔，並確保鑽頭與工件保持接觸。在較高的速度下，如果鑽頭在不接觸工件的情況下自由旋轉，則可能會彎曲，進而導致人身傷害。
- c. 始終以與鑽頭方向成一直線的方式施加壓力，並且不要施加過大的壓力。鑽頭彎曲可以導致工具破損或失控，進而導致人身傷害。

- ◆ 使用夾具或採取其他可行的方法，將工件固定、支撐到穩定的平台上。手持工件或用身體抵住工件會導致工件不穩定，可能會導致失去控制。
- ◆ 在牆上、地板和天花板上鑽孔之前，請檢查電線和鋼管位置。
- ◆ 不要在鑽孔後立刻碰觸可能還帶熱的鑽頭尖端。
- ◆ 本說明手冊中描述了設計用途。使用非本說明手冊所建議的任何其他配件或附件，或使用本工具執行本說明手冊中所建議之外的任何其他操作，可能會導致人身傷害及/或財產損失的風險。

### 他人的安全

- ◆ 生理、感覺或心理機能不健全的人員（包括兒童）或缺乏經驗及知識的人員，除非由負責其安全的人員提供有關使用此器具的監督或指示，否則不得使用本工具。
- ◆ 必須對兒童進行監督，以確保其不會玩耍本器具。

## 殘餘風險

使用本工具時，可能會出現隨附安全警告中所不包括的其他剩餘風險。誤用、長時間使用工具等因素會導致這些風險。即使遵循相關安全規定並採用安全裝置，仍然無法避免某些剩餘風險。此類風險包括：

- ◆ 接觸旋轉/活動部件引起的傷害。
- ◆ 變更任何零件、刀片或配件時引起的傷害。
- ◆ 長時間使用工具引起的傷害。若長時間使用工具，請確保定時休息。
- ◆ 聽力受損。
- ◆ 吸入使用工具時產生的粉塵引起的健康危害（譬如：在木材上使用時，尤其是櫟木、山毛櫸和中密度纖維板 (MDF)）。

## 工具上的標籤

本工具上具有以下圖示與日期代碼：



**警告！**為了降低受傷的風險，使用者必須仔細閱讀使用手冊。



請在使用鋰電震動電鑽時佩戴聽力保護器。噪音會使聽力受損。

## 電池和充電器之附加安全指示

### 電池

- ◆ 無論什麼原因，都不要嘗試打開電池。
- ◆ 請勿將電池暴露在水中。
- ◆ 不要將電池儲存在溫度可能超過 40°C 的地方。
- ◆ 只在環境溫度介於 10°C 和 40°C 之間的情況下充電。
- ◆ 只能使用本工具隨附的充電器為電池充電。
- ◆ 處置電池時，請遵循「保護環境」部份所提供的指示執行。



切勿試圖為損毀的電池充電。

### 充電器

- ◆ 只能使用 BLACK+DECKER 充電器為工具隨附的電池充電。其他電池可能會爆裂，導致人身傷害和損害。
- ◆ 切勿嘗試為不可再充電的電池充電。
- ◆ 立即更換損壞的電線。
- ◆ 請勿將充電器暴露在水中。
- ◆ 請勿打開充電器。
- ◆ 請勿刺破充電器。



本充電器僅供室內使用。



使用之前請閱讀使用手冊。

## 電氣安全



您的充電器採用雙重絕緣，因此不需要使用接地線。請務必檢查主電壓是否與銘牌一致。切勿嘗試使用一般的電源插頭取代充電器裝置。

- ◆ 若電源線損壞，必須送往製造廠商或授權的 BLACK+DECKER 服務中心更換以避免發生危險。

## 功能部件

本工具包括以下部分或全部功能部件。

1. 變速開關
2. 正/反轉開關
3. 扭矩調整環
4. 快速夾頭
5. 二段離合器
6. LED 工作燈
7. 電池
8. 電池釋放按鈕

## 組裝

### 使用

**警告！**請勿使工具超出本身之設計速度操作。請勿過載。

### 為電池充電 (圖 A1、A2)

第一次使用電池之前，以及電池無法像從前一樣為作業輕鬆提供足夠的電量時，就需要充電。電池在充電時可能會變熱；這是正常現象，並不表示出現問題。

**警告！**請勿在環境溫度低於 10°C 或高於 40°C 的狀況下為電池充電。建議的充電溫度為大約 24°C。



**註：**若電池溫度低於約 10°C 或高於 40°C，充電器將不會為電池充電。



電池將留在充電器中，在電池溫度升高或降低後，充電器將自動開始充電。

- ◆ 將充電器 (9) 插頭插入標準的 110 伏 60 Hz 電源插座。
- ◆ 將電池組 (7) 滑入充電器，如圖 A1、A2 所示。

LED 燈 (9a) 將會閃爍，指示電池正在充電。

LED 燈 (9a) 持續亮起時，代表充電完成。這個時候，電池組的電力全滿，可以立即使用或是留在充電器裡。



**警告！**有火災危險。從充電器卸下電池時，請確保先從插座中拔出充電器插頭，然後再從充電器中取出電池。

### 充電器診斷

此充電器經過專門設計，能夠偵測電池組或電源可能出現的某些問題，並透過 LED 燈的不同閃爍模式來指示問題所在。

## 電池不良



充電器能夠偵測到電力不足或電池受損。LED 燈的閃爍模式標註在標籤上。如果您發現 LED 燈出現故障電池閃爍模式，請勿繼續對電池進行充電。請將電池送回維修中心或回收站進行回收。

## 電池組熱/冷延遲

當充電器偵測到電池過熱或過冷，就會自動啟動電池組熱/冷延遲，在電池達到正常溫度之前暫停充電。隨後，充電器會自動轉換到電池組充電模式。這項功能有效延長電池的壽命。LED 燈按標籤上標註的模式閃爍。

## 將電池留在充電器中

充電器和電池組可以在 LED 燈亮起的情況下無限期地保持連接。充電器會為電池組充滿電，保持電池電量充足。此充電器具備自動調校模式，能夠均衡或平衡電池組中的單個電池，以使電池容量發揮至最大。電池組要每週調校一次，或是每當電池無法輸出同等效能時進行調校。如需使用自動調校模式，請將電池組放入充電器，並至少充電 8 小時。

## 重要充電說明

- ◆ 在空氣溫度介於 18° 至 24°C 之間的環境中對電池組充電可以達到最長的使用壽命和最佳的效能。請勿在空氣溫度低於 +4.5°C 或高於 +40°C 的環境中對電池組充電。這很重要，可以防止對電池組造成嚴重損壞。
- ◆ 充電器和電池組在充電時可能會變熱。這是正常現象，並不代表出現任何問題。使用後，為了加速電池組冷卻，請不要將充電器或電池組置於高溫環境中，例如金屬貨棚或非絕緣的拖車。
- ◆ 如果電池組沒有正常充電：
  - ◆ 在插座中插入燈具或其他電器的插頭，以檢查插座是否運作正常；
  - ◆ 檢查插座是否與燈具開關相連接，如果連接，燈具開關在關閉燈具時會切斷電源；
  - ◆ 將充電器和電池組移至空氣溫度約為 18° – 24°C 的環境中；
  - ◆ 如果問題仍然存在，請將工具、電池組和充電器送到當地的維修中心。
- ◆ 當主機突然停止動作，或當電池組無法像從前一樣為作業輕鬆提供足夠的電量時，應該對其充電。在此類情況下請勿繼續使用。請按充電程序進行充電。如有需要，您還可對已使用部分電量的電池組進行充電，這對電池組不會有任何不良影響。
- ◆ 導電的異物，包括但不限於研磨粉塵、金屬屑、鋼絲絨、鋁箔紙或任何由金屬粒子組成的物件，必須要遠離充電器的孔隙。請先拔掉電源插頭後再清潔充電器。
- ◆ 請勿冷凍充電器，或將充電器浸在水中或任何其他液體中。
- ◆ 在電池用完電量後，建議馬上充電，鋰電池請勿過度放電，電力過度耗竭會導致鋰電池損壞。

## 在工具上安裝與取出電池組 (圖 B)

**警告!** 卸下或安裝電池之前，請確保鎖定按鈕 (2) 已接合，以防止開關啟動。

若需安裝電池組：

- ◆ 將電池組 (7) 插入至工具中，直到聽到卡嗒聲 (圖 B)。

## 從工具中取出電池組 (圖 C)

- ◆ 按下電池釋放按鈕 (8)，如圖 C 所示，然後從工具中拉出電池組。

## 操作說明

### 觸發開關與反轉按鈕 (圖 D)

- ◆ 電鎖透過拉動和鬆開觸發開關 (1) 來開啟和關閉。愈用力擠壓觸發開關，電鎖便會以愈快的速度運轉。
  - ◆ 正/反轉控制按鈕 (2) 決定工具的方向，同時具備鎖定功能。
  - ◆ 若要選擇正轉，請鬆開觸發開關，然後向左側按下正/反轉控制按鈕。
  - ◆ 若要選擇反轉，請向相反方向按下正/反轉控制按鈕。
- 註：**當控制按鈕處於中心位置時，工具會被鎖定在關閉位置。要改變控制按鈕的位置時，請確保觸發器已經鬆開。

### 扭矩控制 (圖 E)

本工具備有扭矩調整環 (3)，可藉此選取操作模式並設定扭緊螺絲的扭矩。大螺絲和堅硬工件材料，比小螺絲和柔軟工件材料需要更高的扭力設定。

- ◆ 為了在木材、金屬和塑膠上鑽孔，請將調整環設定到鑽孔位置符號。
- ◆ 若要執行螺旋操作，將調整環設定到所需設定。若您尚未知道適當的設定，請執行下列操作：
  - ◆ 將調整環設定到最低的扭矩設定。
  - ◆ 鎖緊第一顆螺絲。
  - ◆ 若在未達到預期的扭力值前離合器已鬆開，請提高調整環設定並繼續轉緊螺釘。重複上述步驟，直到您達到正確設定為止。對其餘螺釘使用此設定。

### 快速夾頭 (圖 F)

**警告!** 警告：安裝或卸下附件之前，請確保鎖定按鈕 (2) 已接合，以防止開關啟動。

若要插入鑽頭或其他附件：

- ◆ 以一隻手握住夾頭 (4) 的後半部並使用另一隻手以逆時針方向旋轉前半部，直到看見夾頭末端為止。
- ◆ 將鑽頭或其他配件完全插入夾頭，握住夾頭後半部並以順時針方向旋轉前半部，直到看見夾頭末端為止，如此便可牢固地將其扭緊。

**警告!** 不要嘗試過度握住夾頭前部並啟動工具來擰緊鑽頭 (或任何其它附件)。更換附件時可能會導致夾頭損壞和人身傷害。

## 二段離合器 (圖 G)

藉助電鑽的二段離合器，您可進行換檔以獲得更大的適用性。若要選擇低速、高扭矩設定 (位置 1)，請關閉工具並讓它停止轉動。將離合器按鈕 (5) 沿遠離夾頭的方向滑動。若要選擇高速、低扭矩設定 (位置 2)，請關閉工具並讓它停止轉動。將離合器按鈕向夾頭方向滑動。

**註：**工具運轉時不要換檔。如果無法換擋，請確保二段離合器按鈕已完全向前推動或完全向後推動。

## 鑽孔/螺旋操作

- ◆ 使用正/反轉開關 (2) 選擇向前或向後旋轉。
- ◆ 若要開啟工具電源，請按下開關 (1)。工具轉速取決於您按下開關的程度。
- ◆ 若要關閉工具電源，請鬆開電源開關。

## 最佳使用提示

### 鑽孔

- ◆ 請僅使用鋒利的鑽頭。
- ◆ 依照安全說明的指示，適當地支撐和固定工件。
- ◆ 依照安全說明，使用適當、必要的安全設備。
- ◆ 依照安全說明的指示，固定和維護工作場地。
- ◆ 慢慢地讓電鑽運轉，輕輕地施壓，直到所鑽的孔不會讓鑽頭滑出為止。
- ◆ 以與鑽頭方向成一直線的方式施加壓力。使用足夠的壓力讓鑽頭持續穿透，但不要太用力以致讓電動機失速或鑽頭偏斜。
- ◆ 雙手緊握電鑽以控制電鑽的扭轉動作。
- ◆ 請勿按下又鬆開失速電鑽的觸發器以嘗試啟動電鑽，否則可能會導致電鑽損壞。
- ◆ 減輕施加的壓力並慢慢鑽穿孔的最後部分，以便將穿透失速的可能性降至最低。
- ◆ 從成孔中拉出鑽頭時，請保持電機運轉。這有助於減少卡死情況。
- ◆ 確定開關可以將電鑽啟動和關閉。

### 在木材上鑽孔

木材鑽孔可以使用和鋼材鑽孔一樣的麻花鑽頭或扁鑽頭。這些鑽頭應保持鋒利，且在鑽孔時應經常拔出鑽頭來清理鑽屑。

### 在金屬上鑽孔

在金屬上鑽孔時使用切割潤滑劑。鑄鐵和黃銅是例外，它們應保持乾燥而直接鑽孔。效果最佳的切割潤滑劑是硫化切割油或豬油。

### 在石材上鑽孔

若要在石材上鑽孔，請對齊符號和標記，以便將調整環 (3) 設定至電鑽震動鑽孔位置。向工具前端滑動速度選擇器 (5) (第 2 個齒輪)。

## 螺旋操作

- ◆ 始終使用正確類型和大小的螺絲起子頭。
- ◆ 若螺絲難以轉緊，請嘗試用小量洗滌液或肥皂作為潤滑劑。
- ◆ 必須始終使工具和螺絲起子頭與螺絲成一直線。

## 疑難排解

問題	可能的原因	可能的解決方案
裝置不會啟動。	電池組未充電。	檢查電池組的充電需求
電池組無法充電。	充電器未插電。 環境空氣溫度太高或太低。	將充電器插入工作插座。 將充電器與電池組移至空氣溫度高於 40°F (45°C) 或低於 105°F (+40.5°C) 的環境中。
裝置突然關閉。	電池組已達到其溫度上限。 電量耗盡。(為了最大限度延長電池組的使用壽命，將電池組設計為在電量耗盡時突然關閉。)	讓電池組冷卻。 將電池組放入充電器進行充電。

## 維護

您的 BLACK+DECKER 工具採用卓越的設計，能夠長時間使用，並且只需最少的維護。若要持續取得滿意的操作效果，需要進行正確的工具維護與定期的清潔。

您的充電器除了定期清潔之外，並不需要執行任何維護操作。

**警告！**對工具執行任何維護之前，請卸下工具內的電池。清潔之前請拔下充電器的插頭。

- ◆ 請定期使用軟刷或軟布清潔工具和充電器內的通風槽。
- ◆ 定期使用濕布清潔電機外殼。  
請勿使用任何研磨性或溶劑型清潔劑。
- ◆ 請定期打開夾頭並輕敲以去除內部的任何塵埃。

## 保護環境



分開收集。帶有此標誌的產品和電池必須與一般家庭廢物分開處置。

產品和電池包含可重複使用或回收的材料，可降低對原材料的需求。請根據當地法規回收電氣產品和電池。更多資訊，請造訪 [www.2helpU.com](http://www.2helpU.com)。

## 維修資訊

BLACK+DECKER 提供遍佈亞洲的公司隸屬及授權服務地點。所有的 BLACK+DECKER 服務中心都具有訓練有素的人員，為客戶提供高效、可靠的產品服務。

不論您需要的是技術建議、維修服務還是原廠正品替換零件，都可以聯絡距您最近的 BLACK+DECKER 服務地點。

## 附註

- ◆ BLACK+DECKER 的政策是持續改善我們的產品，因此，我們保留隨時變更產品規格的權利，恕不另行通知。
- ◆ 標準裝置和配件可能會根據不同的國家/地區而有所不同。
- ◆ 產品規格可能會根據不同的國家而有所不同。
- ◆ 並非所有的國家/地區都將提供完整的產品系列。如需各產品系列的供應情況，請聯絡您當地的 BLACK+DECKER 代理商。

經銷商：特力股份有限公司

地址：台北市內湖區新湖三路 23 號 1.2.5 樓

電話：0800-008-007

進口/委製廠商：新加坡商百得電動工具(股)公司台灣分公司

地址：台北市士林區德行西路 33 號 2 樓

電話：02-2834-1741